

US00D965369S

(12) **United States Design Patent** (10) **Patent No.:** **US D965,369 S**  
**Gallagher** (45) **Date of Patent:** **\*\* Oct. 4, 2022**

(54) **BEVERAGE MAKING MACHINE  
COMBINED WITH A SUNRISE ALARM  
CLOCK**

D666,049 S \* 8/2012 Struzka ..... D7/311  
D713,194 S \* 9/2014 Dakis ..... D7/311  
D725,954 S \* 4/2015 Michel ..... D7/311  
D738,665 S \* 9/2015 Tomasson ..... D7/301  
D758,779 S \* 6/2016 Regamy ..... D7/311  
D769,045 S \* 10/2016 Cha ..... D7/311  
D799,256 S \* 10/2017 Fabbri ..... D7/311

(71) Applicant: **Helt Vildt Limited**, London (GB)

(72) Inventor: **Joe Gallagher**, London (GB)

(\*\*) Term: **15 Years**

(21) Appl. No.: **35/512,452**

(22) Filed: **Jun. 30, 2021**

(80) **Hague Agreement Data**

Int. Filing Date: **Jun. 30, 2021**  
Int. Reg. No.: **DM/215890**  
Int. Reg. Date: **Jun. 30, 2021**  
Int. Reg. Pub. Date: **Aug. 27, 2021**

(51) **LOC (13) Cl.** ..... **07-01**

(52) **U.S. Cl.**  
USPC ..... **D7/311**

(58) **Field of Classification Search**  
USPC ..... D6/542, 543, 545; D7/300, 301, 305,  
D7/306-313, 315, 397-399, 593; D20/1,  
D20/3; D30/132, 133  
CPC .. A47J 31/00; A47J 31/10; A47J 31/14; A47J  
31/52

See application file for complete search history.

(56) **References Cited**

**U.S. PATENT DOCUMENTS**

D276,626 S \* 12/1984 Lockwood ..... D99/28  
D280,374 S \* 9/1985 Breslow ..... D20/3  
D353,296 S \* 12/1994 Assmann ..... D7/311  
D445,291 S \* 7/2001 Fregnan ..... D7/311  
D501,751 S \* 2/2005 Lin ..... D7/311  
D621,647 S \* 8/2010 Jacquet ..... D7/311  
D632,519 S \* 2/2011 Zimmermann ..... D7/311  
D642,218 S \* 7/2011 Sanders ..... D20/1  
D655,115 S \* 3/2012 Binderbauer ..... D6/515  
D661,536 S \* 6/2012 Hughes, II ..... D7/311

**FOREIGN PATENT DOCUMENTS**

CN 304832817 \* 9/2018  
CN 305205877 \* 6/2019

(Continued)

**OTHER PUBLICATIONS**

Eitah, Noora Abu, "The Presovar by Martin Necas," Jul. 6, 2008, TrendHunter, www.trendhunter.com/trends/presovar-by-martin-necas-the-new-queen-of-coffee-machines (Year: 2008).\*

(Continued)

*Primary Examiner* — Joseph Kukella  
*Assistant Examiner* — Arva P Adams

(57) **CLAIM**

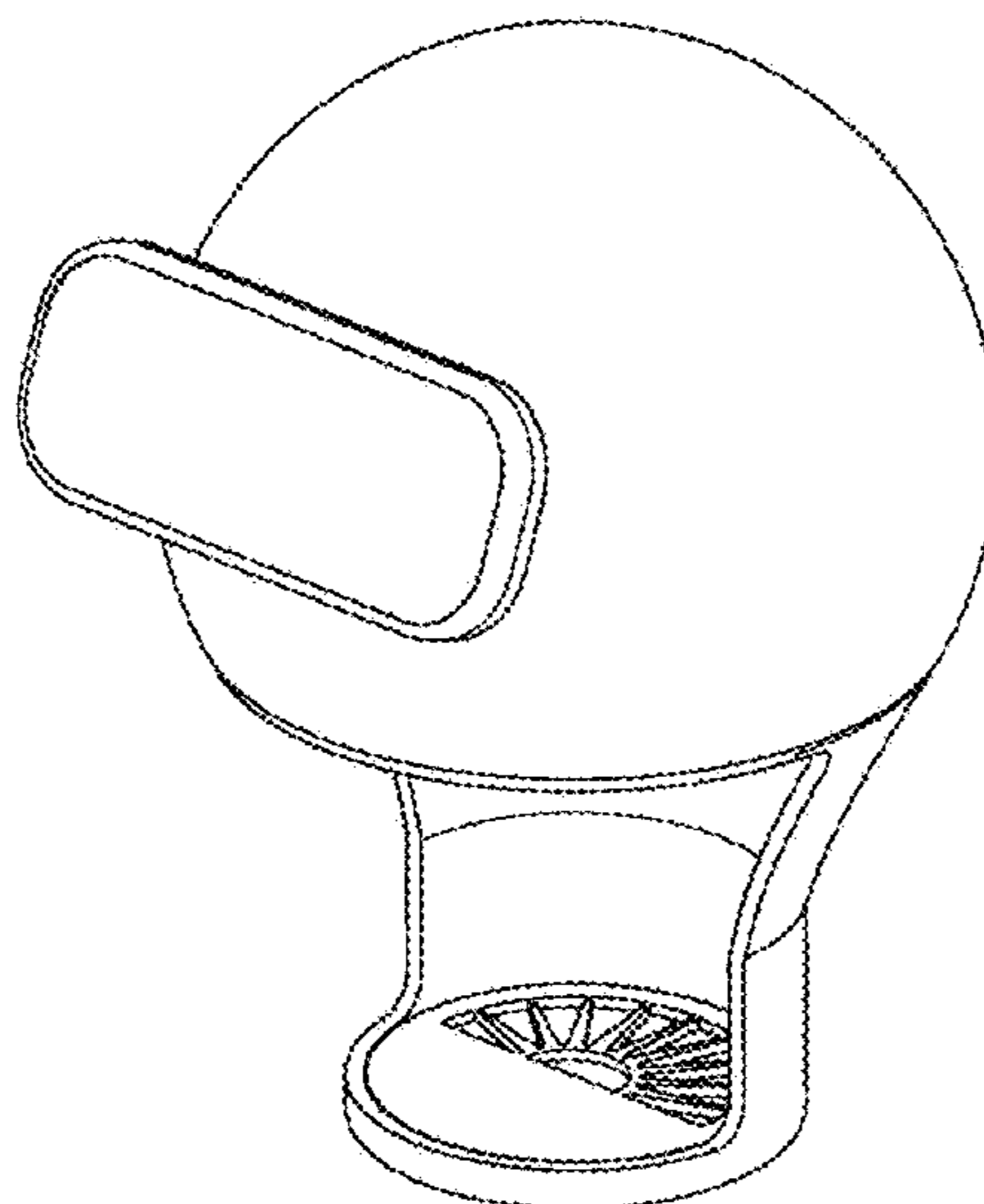
The ornamental design for a beverage making machine combined with a sunrise alarm clock, as shown and described.

**DESCRIPTION**

1. Beverage making machine combined with a sunrise alarm clock

- 1.1 : Front
- 1.2 : Back
- 1.3 : Left
- 1.4 : Right
- 1.5 : Top
- 1.6 : Bottom
- 1.7 : Perspective
- 1.8 : Perspective

**1 Claim, 8 Drawing Sheets**



(56)

**References Cited**

U.S. PATENT DOCUMENTS

D810,490 S \* 2/2018 Cha ..... D7/311  
D818,298 S \* 5/2018 Kohler ..... D7/311  
D853,168 S \* 7/2019 Marmier ..... D7/311  
D877,424 S \* 3/2020 Xu ..... D30/122  
D877,552 S \* 3/2020 Struzka ..... D7/311  
2018/0000281 A1 \* 1/2018 Pugliese ..... A47J 31/4403

FOREIGN PATENT DOCUMENTS

CN 305890894 \* 6/2020  
GB 6119827 \* 2/2021  
JP D1688279 \* 6/2021  
WO WO-2011067502 A1 \* 6/2011 ..... A47J 31/10

OTHER PUBLICATIONS

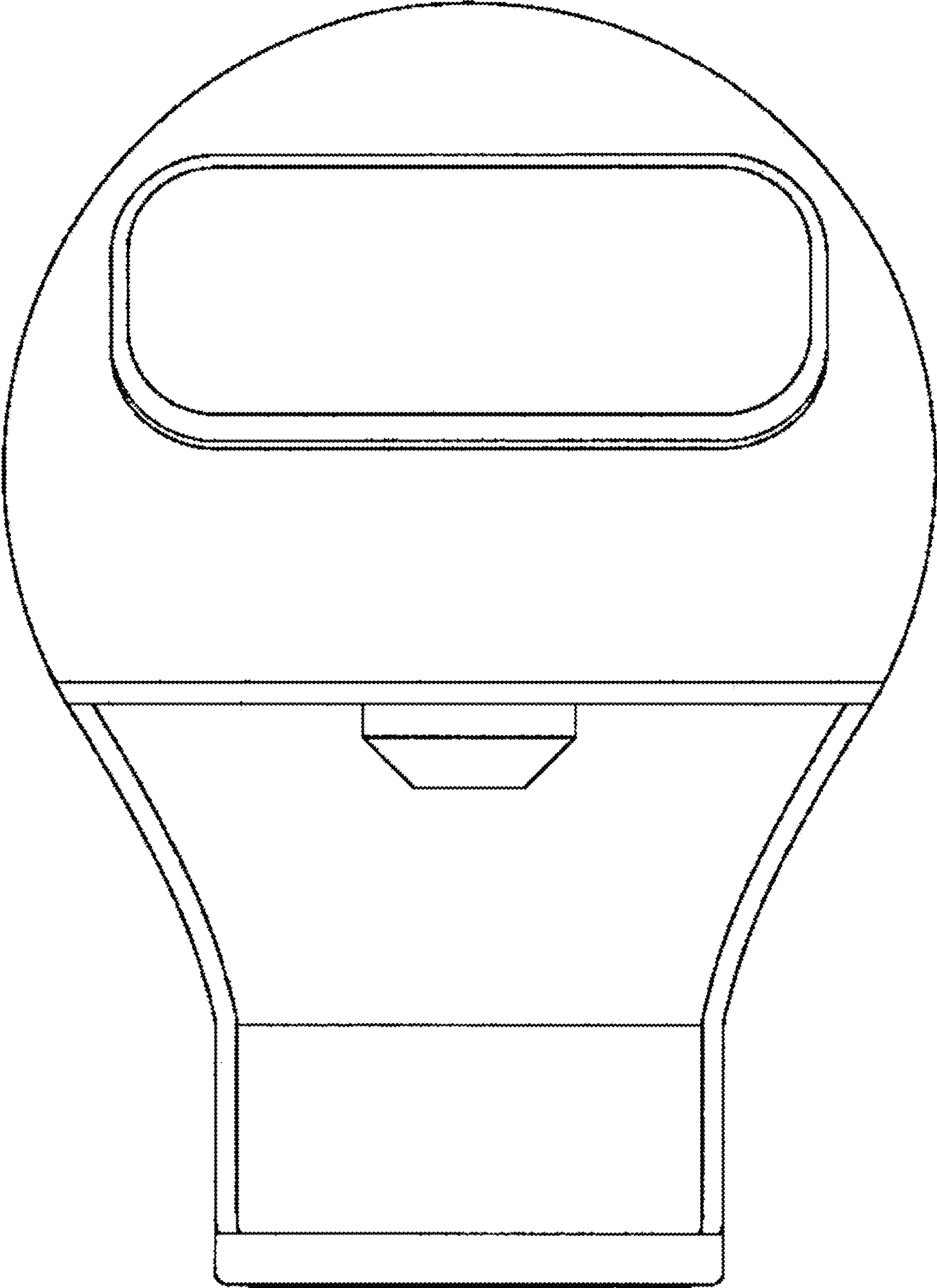
Brassfield, Marissa, “‘Espresso’ by Phil Rose Inspires Retro Nostalgia,” Apr. 26, 2009, TrendHunter, [www.trendhunter.com/trends/espresso-phil-rose-coffee-maker](http://www.trendhunter.com/trends/espresso-phil-rose-coffee-maker) (Year: 2009).\*

Kantharia, Raunek, “18 Cool Coffee Machines,” Sep. 2, 2010, Walyou.com, <https://walyou.com/blog/2010/09/02/cool-coffee-machines/> (Year: 2010).\*

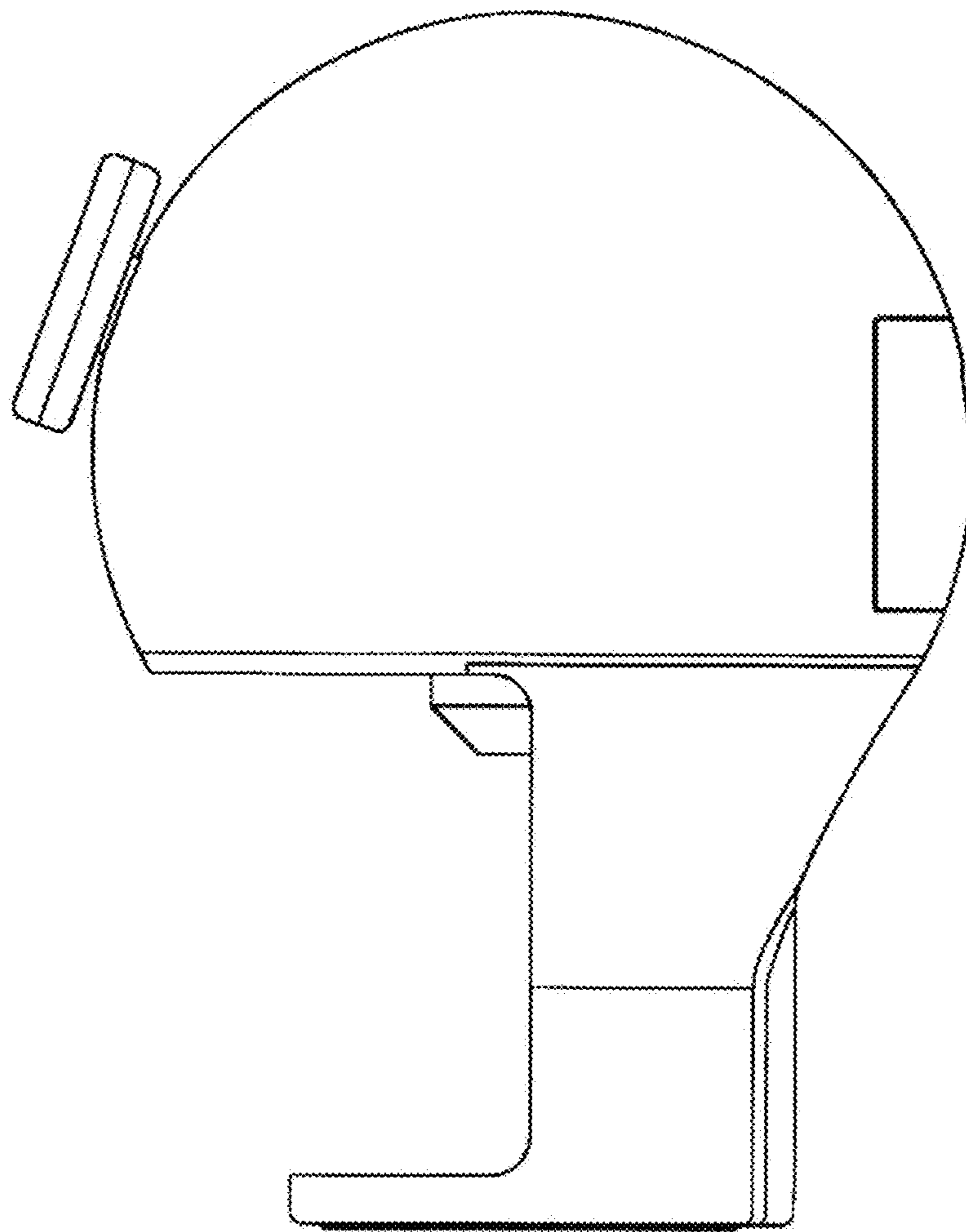
Scott, Alex, “The Podi Coffee Maker Will Jumpstart Your Heart,” Apr. 19, 2010, TrendHunter, [www.trendhunter.com/trends/podi-coffee-maker](http://www.trendhunter.com/trends/podi-coffee-maker) (Year: 2010).\*

\* cited by examiner

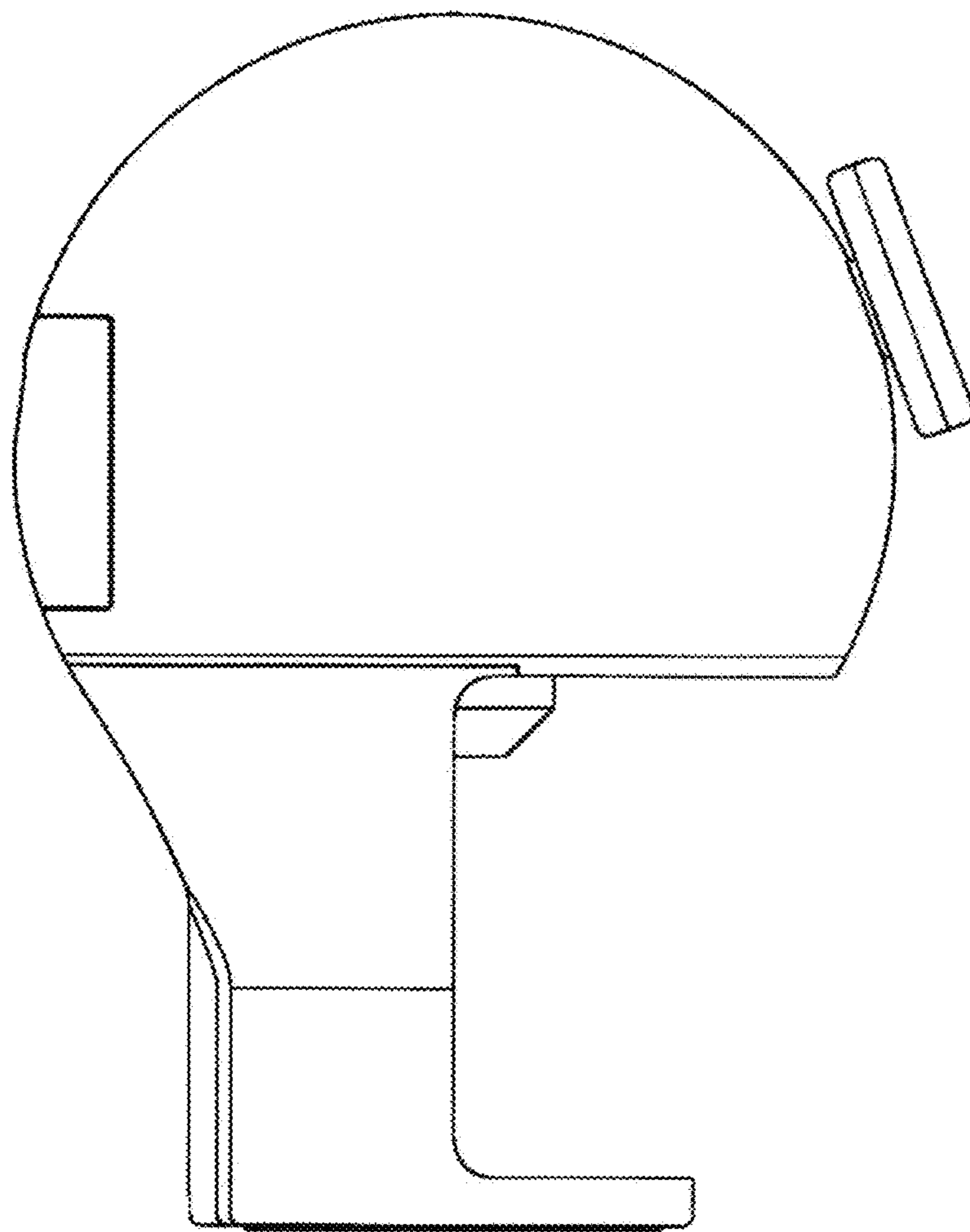
1.1



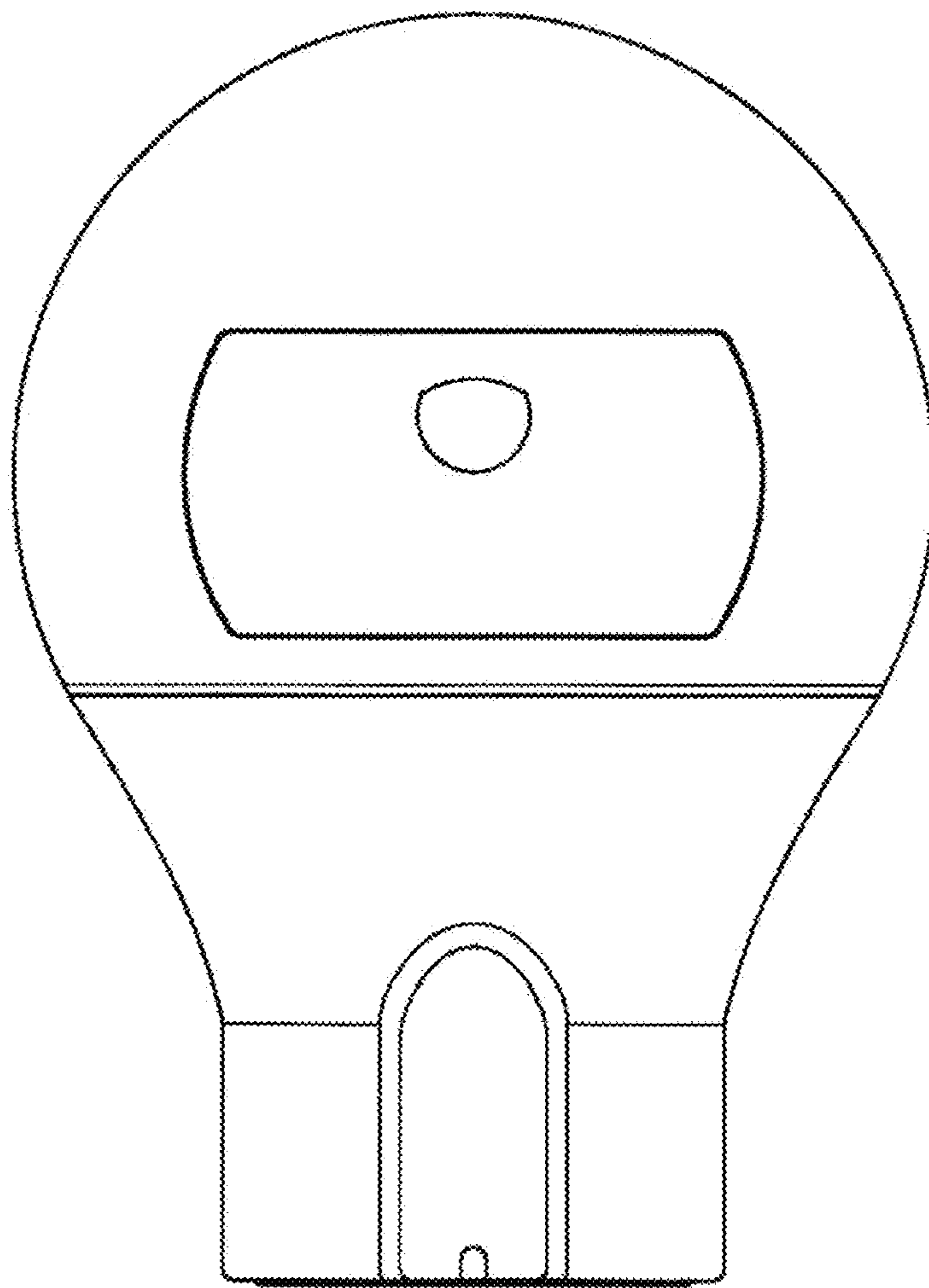
1.2



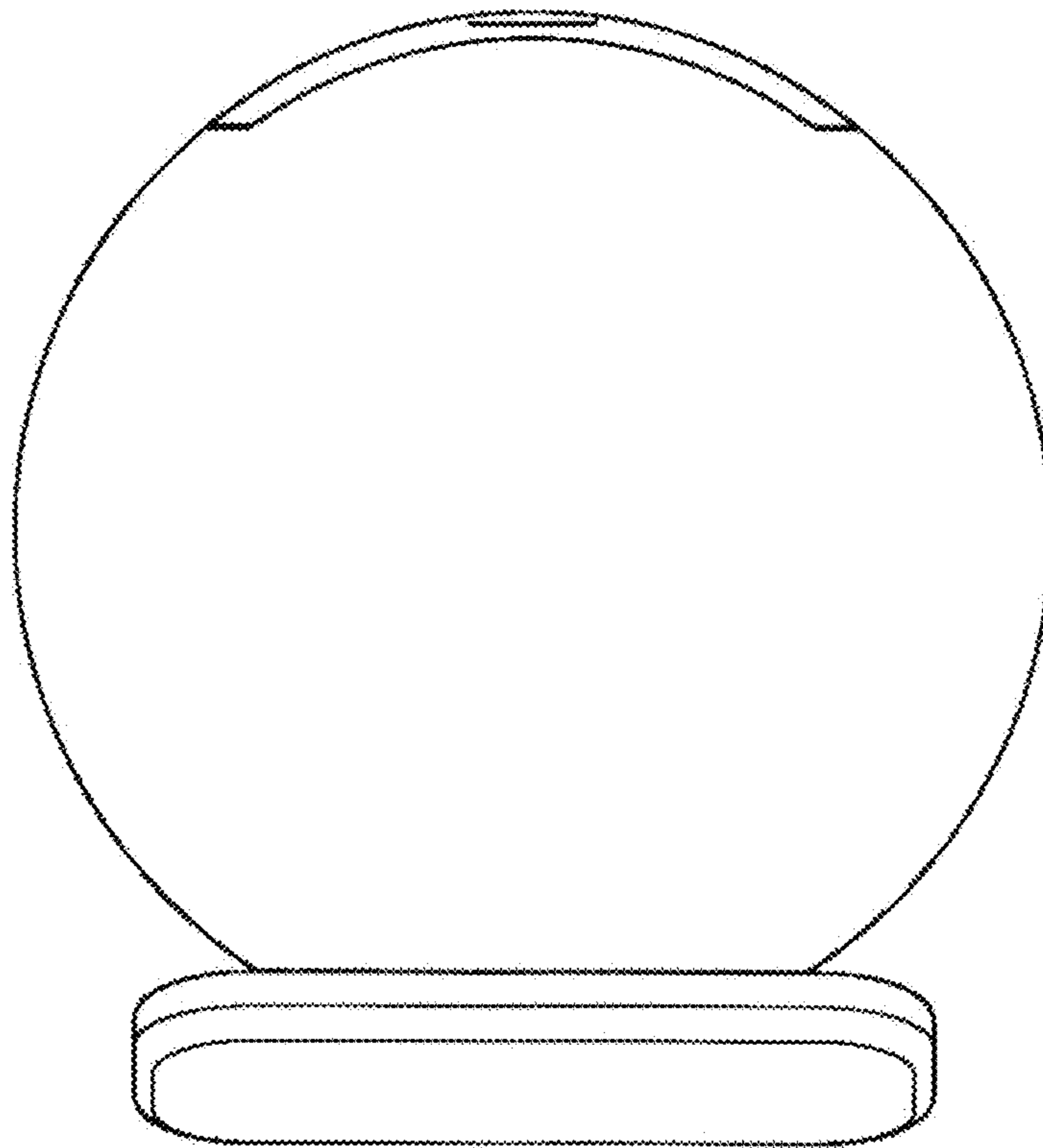
1.3



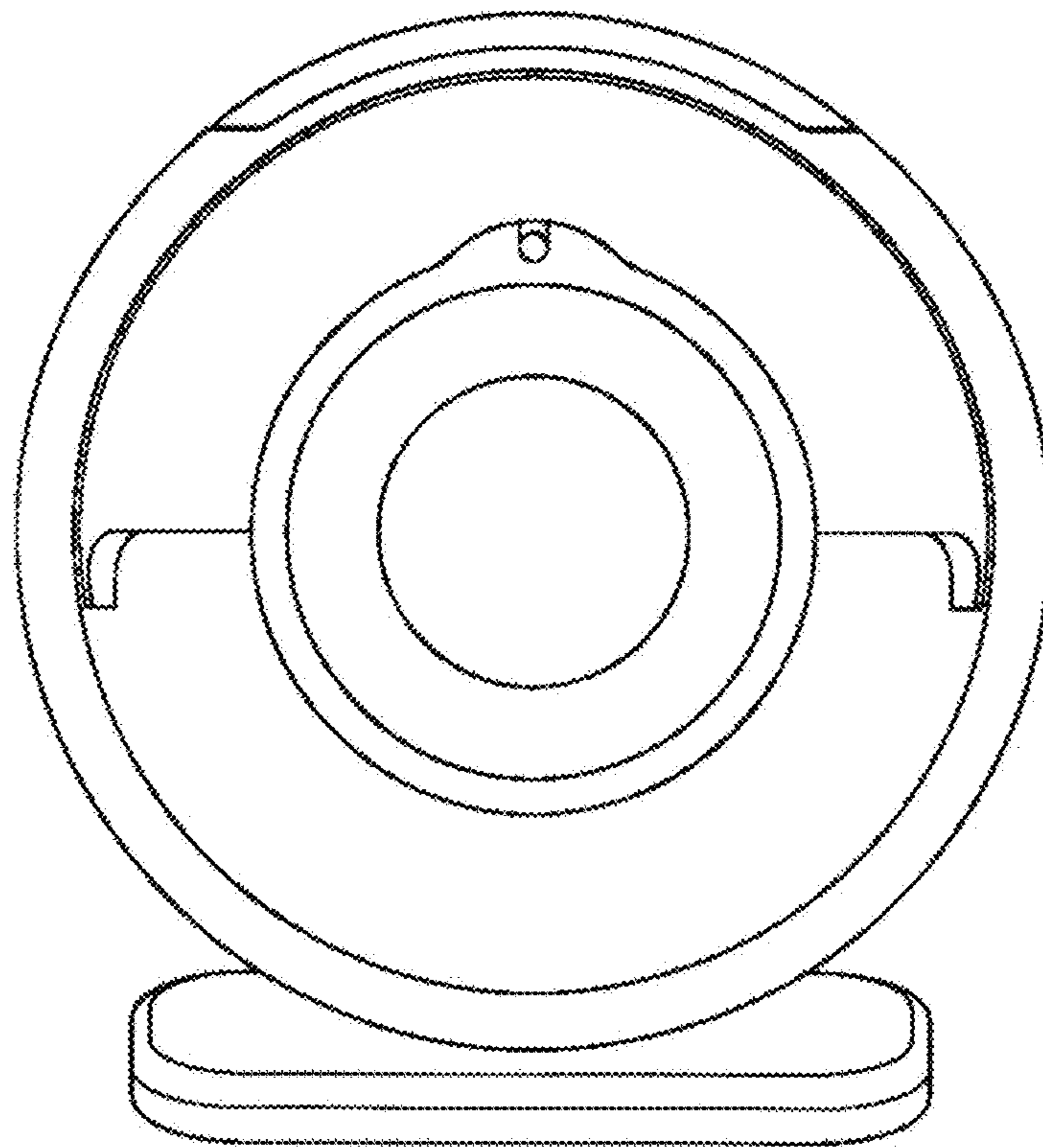
1.4



1.5

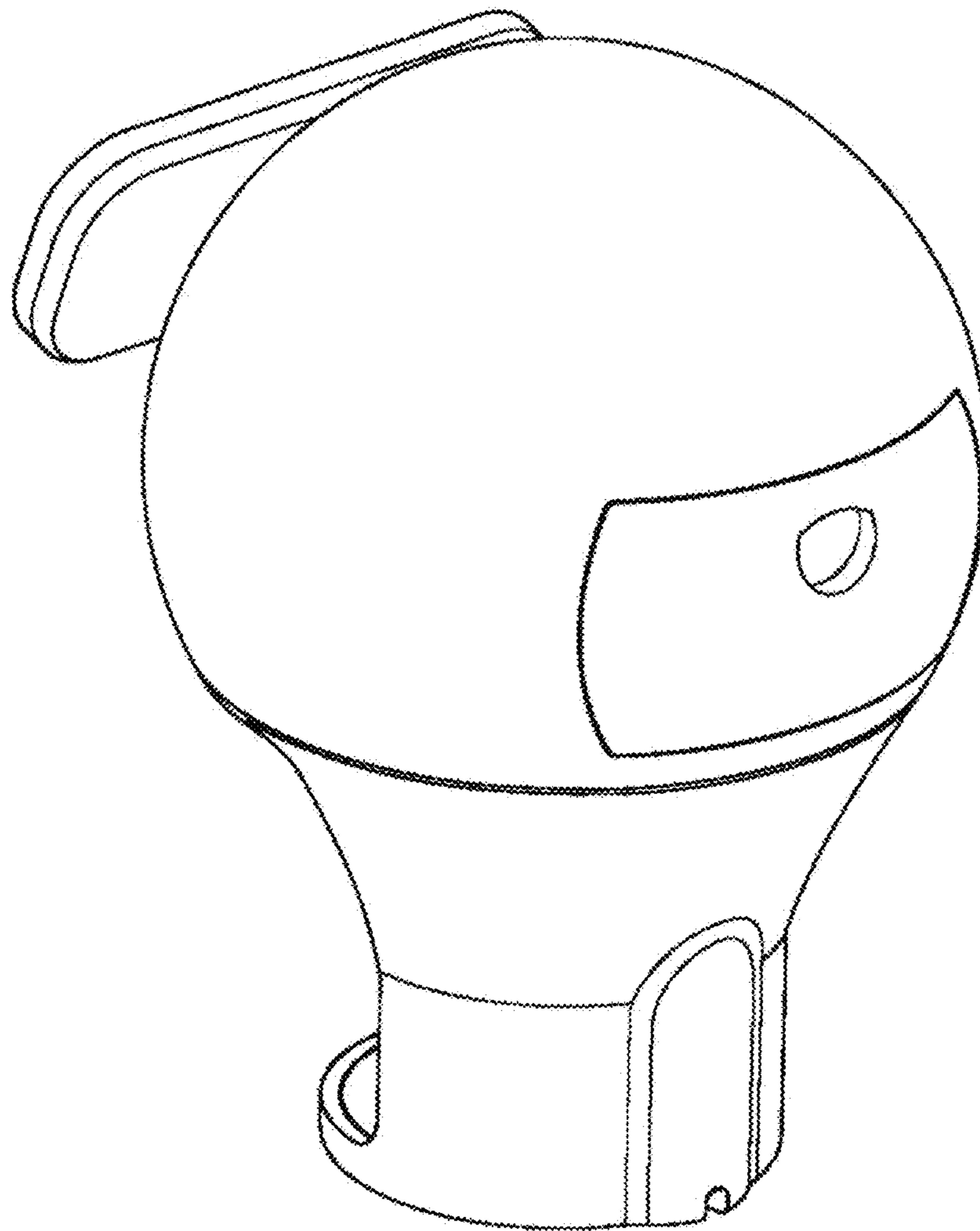


1.6





1.7



1.8

