



US00D965365S

(12) **United States Design Patent**
Sun

(10) **Patent No.:** **US D965,365 S**
(45) **Date of Patent:** **** Oct. 4, 2022**

(54) **OFFICE CHAIR**

(71) Applicant: **JINGNING MEIGE OPERATION MANAGEMENT CO., LTD**, Lishui (CN)

(72) Inventor: **Jiada Sun**, Ningbo (CN)

(73) Assignee: **JINGNING MEIGE OPERATION MANAGEMENT CO., LTD**, Lishui (CN)

(**) Term: **15 Years**

(21) Appl. No.: **29/809,150**

(22) Filed: **Sep. 26, 2021**

(51) **LOC (13) Cl.** **06-06**

(52) **U.S. Cl.**
USPC **D6/716; D6/366**

(58) **Field of Classification Search**
USPC D6/334-336, 364, 365, 366, 367, 374, D6/379, 716, 716.1, 716.2, 716.3, 716.4
CPC A47C 7/004; A47C 7/006; A47C 7/18; A47C 7/24; A47C 7/40; A47C 7/46; A47C 7/54; A47C 7/541
See application file for complete search history.

(56) **References Cited**

U.S. PATENT DOCUMENTS

D468,122 S	1/2003	Schweikarth et al.	
D484,711 S *	1/2004	Getzel	D6/366
D611,276 S *	3/2010	Kubryk	D6/366
D612,175 S *	3/2010	Kubryk	D6/716
D655,538 S *	3/2012	Kubryk	D6/716
D655,539 S *	3/2012	Kubryk	D6/716
D869,213 S	12/2019	Romero et al.	
D913,005 S *	3/2021	Egger	D6/374

FOREIGN PATENT DOCUMENTS

DE 202013001177 U1 * 6/2013 A47C 7/24

OTHER PUBLICATIONS

Furmax Ribbed Office Desk Chair Mid-Back PU Leather Executive Conference Task Chair Adjustable Swivel Chair with Arms, from amazon.com, Date First Available: Mar. 22, 2019, pp. 1-9, from https://www.amazon.com/Furmax-Mid-Back-Executive-Conference-Adjustable/dp/B07Y6X719C/ref=asc_df_B07Y6X719C/?tag=hyprod-20&linkCode=df0&hvadid=533403187665&hvpos=&hvnetw=g&hvrnd=7611368866261408946&hvpone=&hvptwo=&hvqmt=&hvdev=c&hvdvcmdl=&hvlocint=&hvlocphy=1027019&hvtargid=pla-1393664992219&th=1 (Year: 2019).*

* cited by examiner

Primary Examiner — Mimoso De

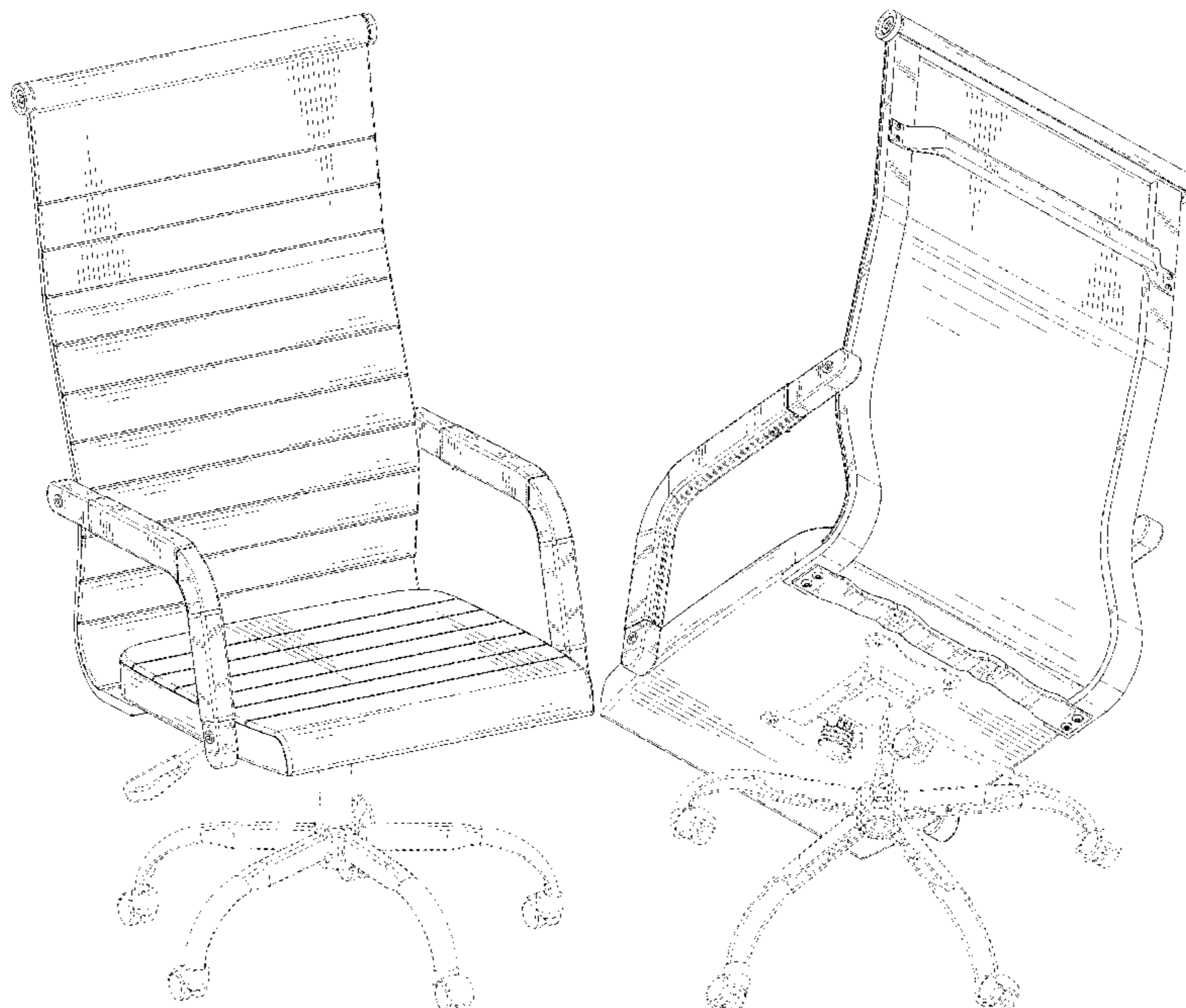
(57) **CLAIM**

The ornamental design for an office chair, as shown and described.

DESCRIPTION

FIG. 1 is a perspective view of an office chair showing my new design;
FIG. 2 is another perspective view thereof;
FIG. 3 is a front elevational view thereof;
FIG. 4 is a rear elevational view thereof;
FIG. 5 is a left side elevational view thereof;
FIG. 6 is a right side elevational view thereof;
FIG. 7 is a top plan view thereof; and,
FIG. 8 is a bottom plan view thereof.
The broken lines in the drawings depict portions of the office chair that form no part of the claimed design.

1 Claim, 8 Drawing Sheets



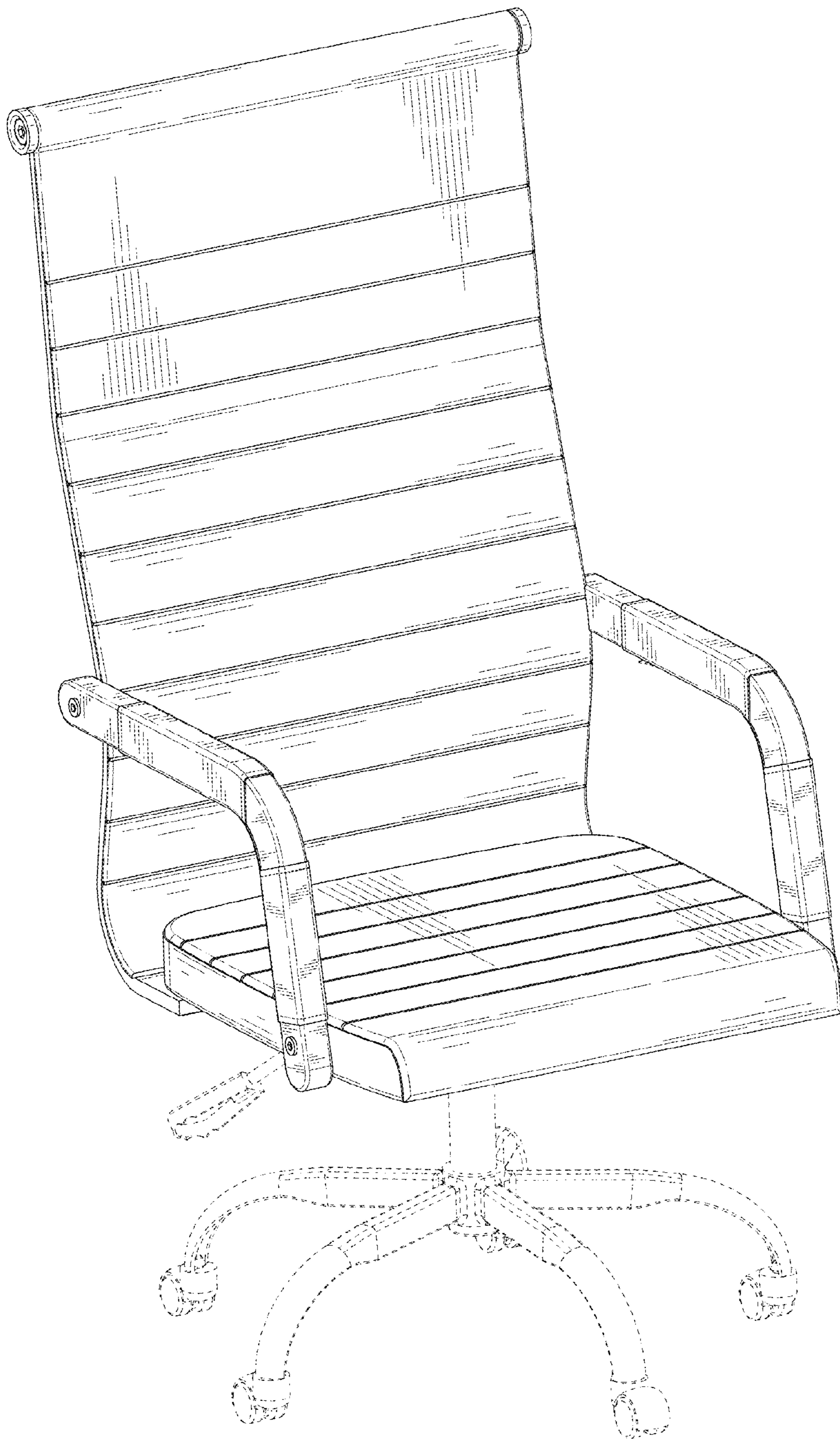


FIG. 1

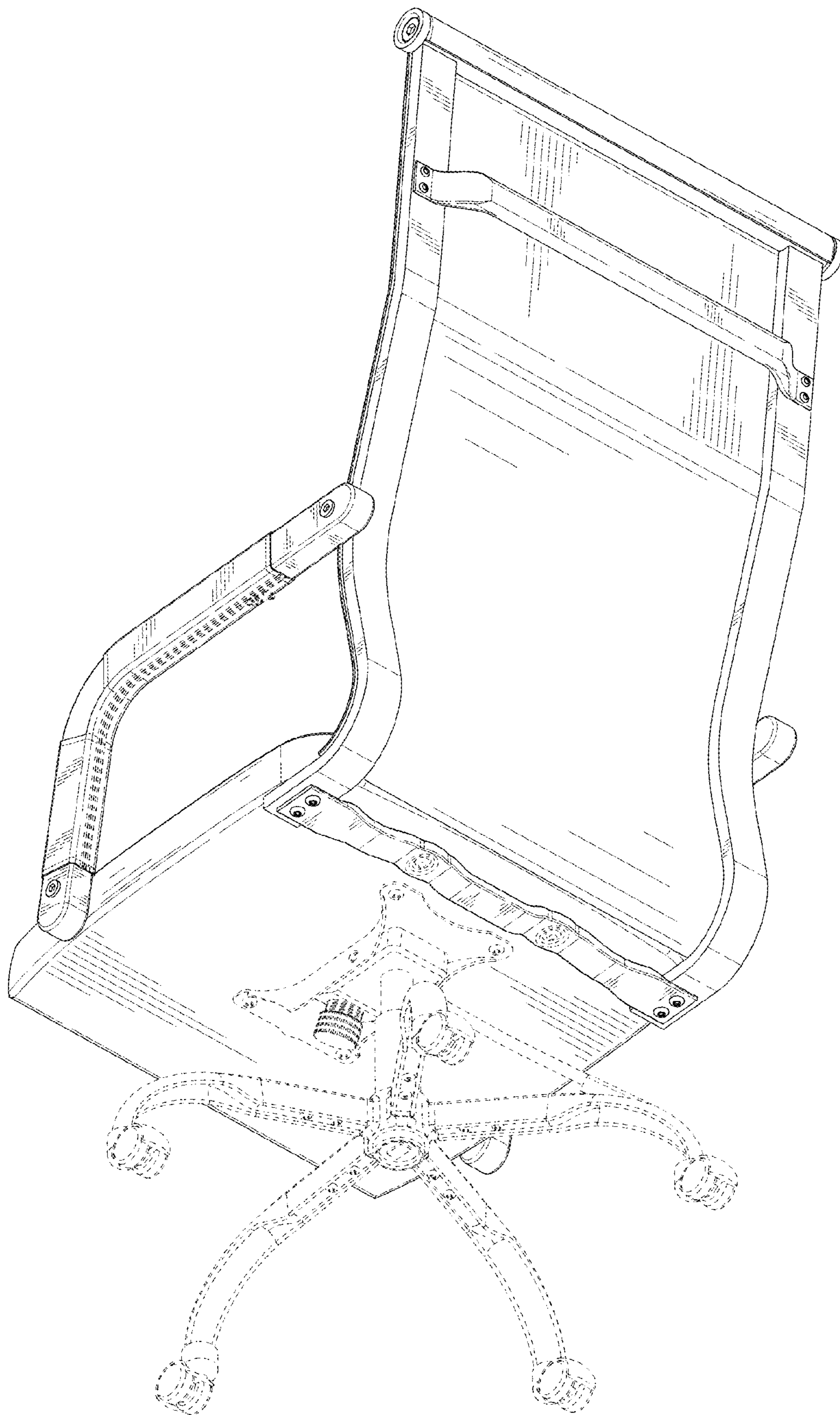


FIG. 2

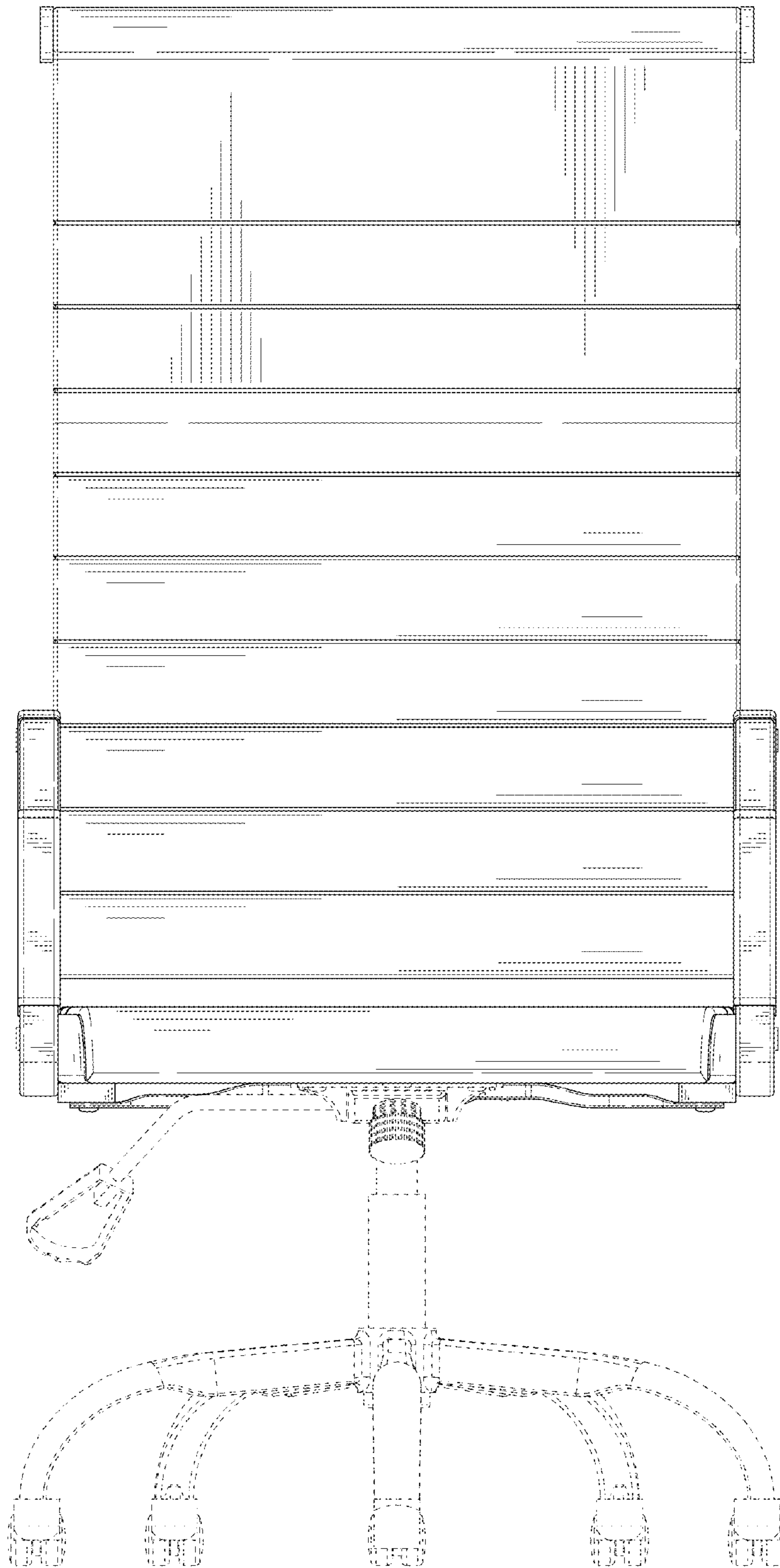


FIG. 3

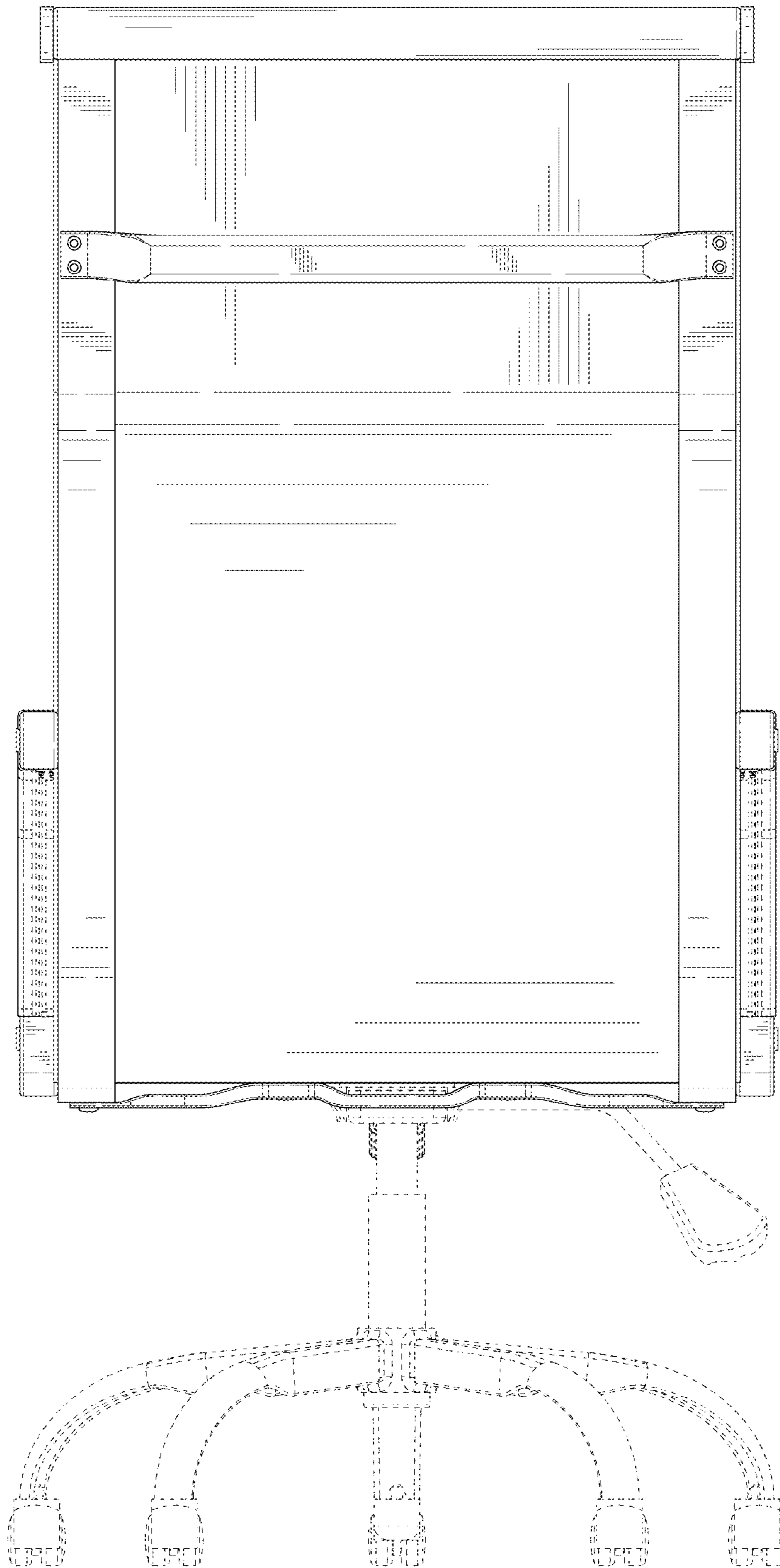


FIG. 4

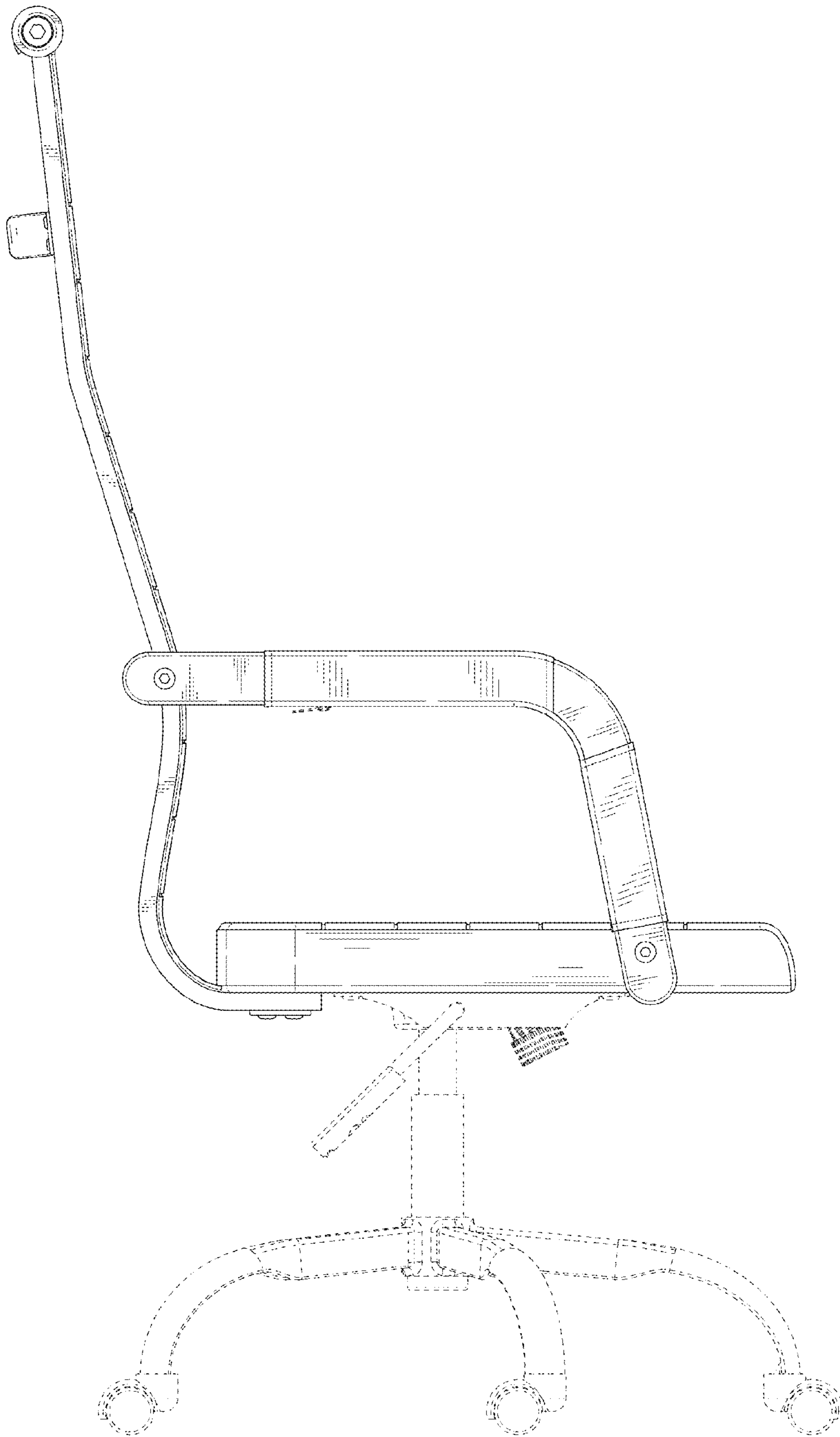


FIG. 5

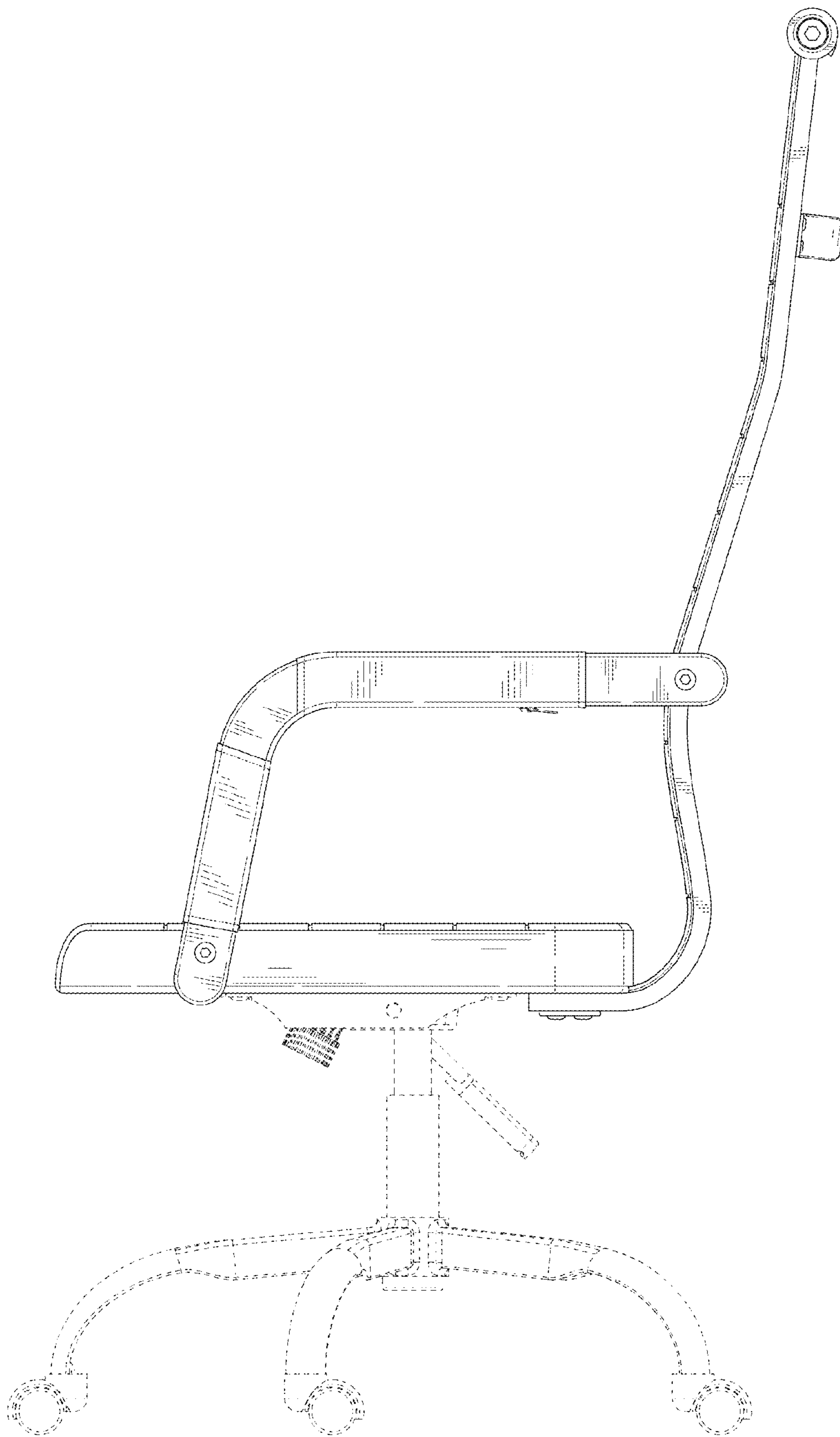


FIG. 6

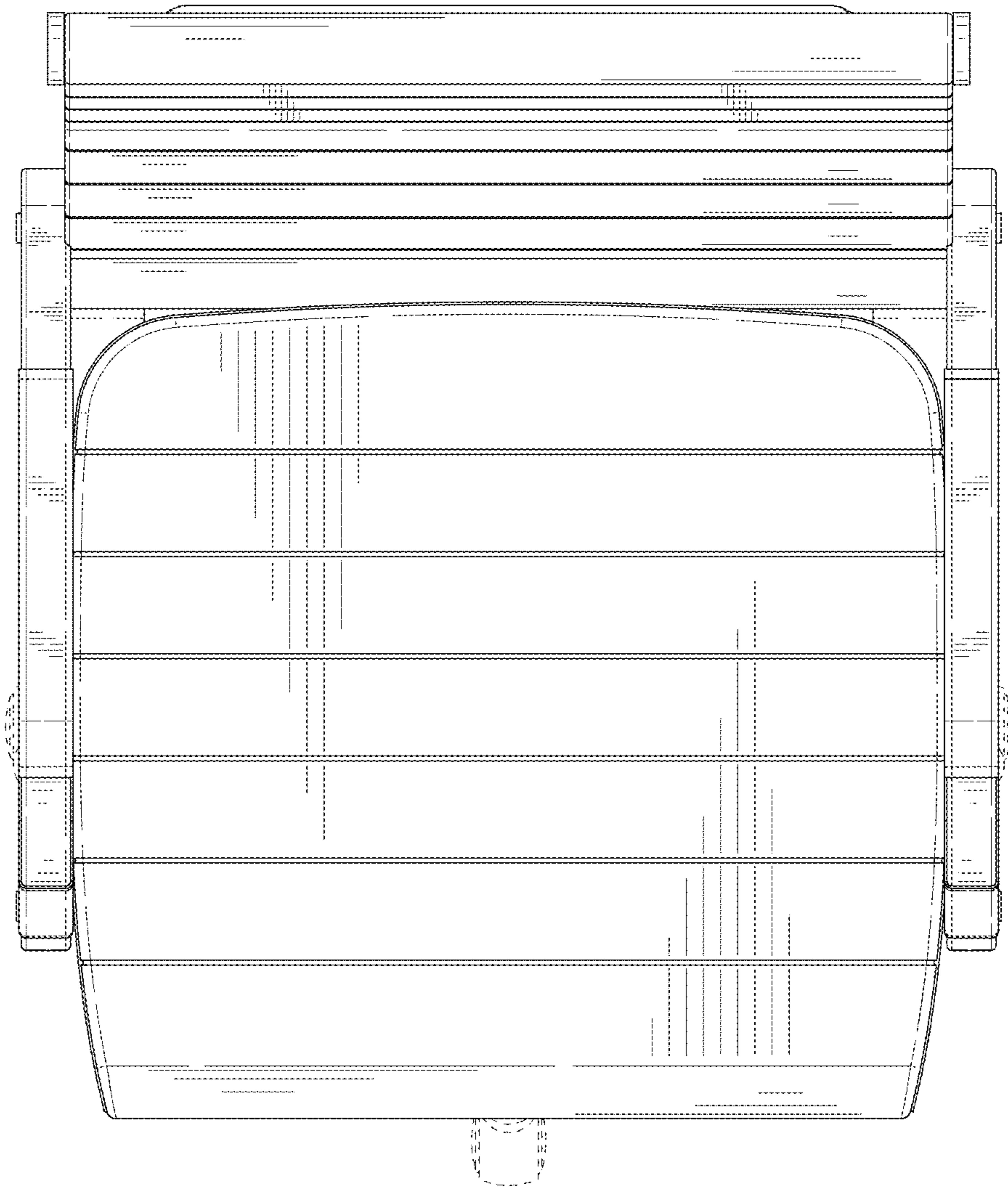


FIG. 7

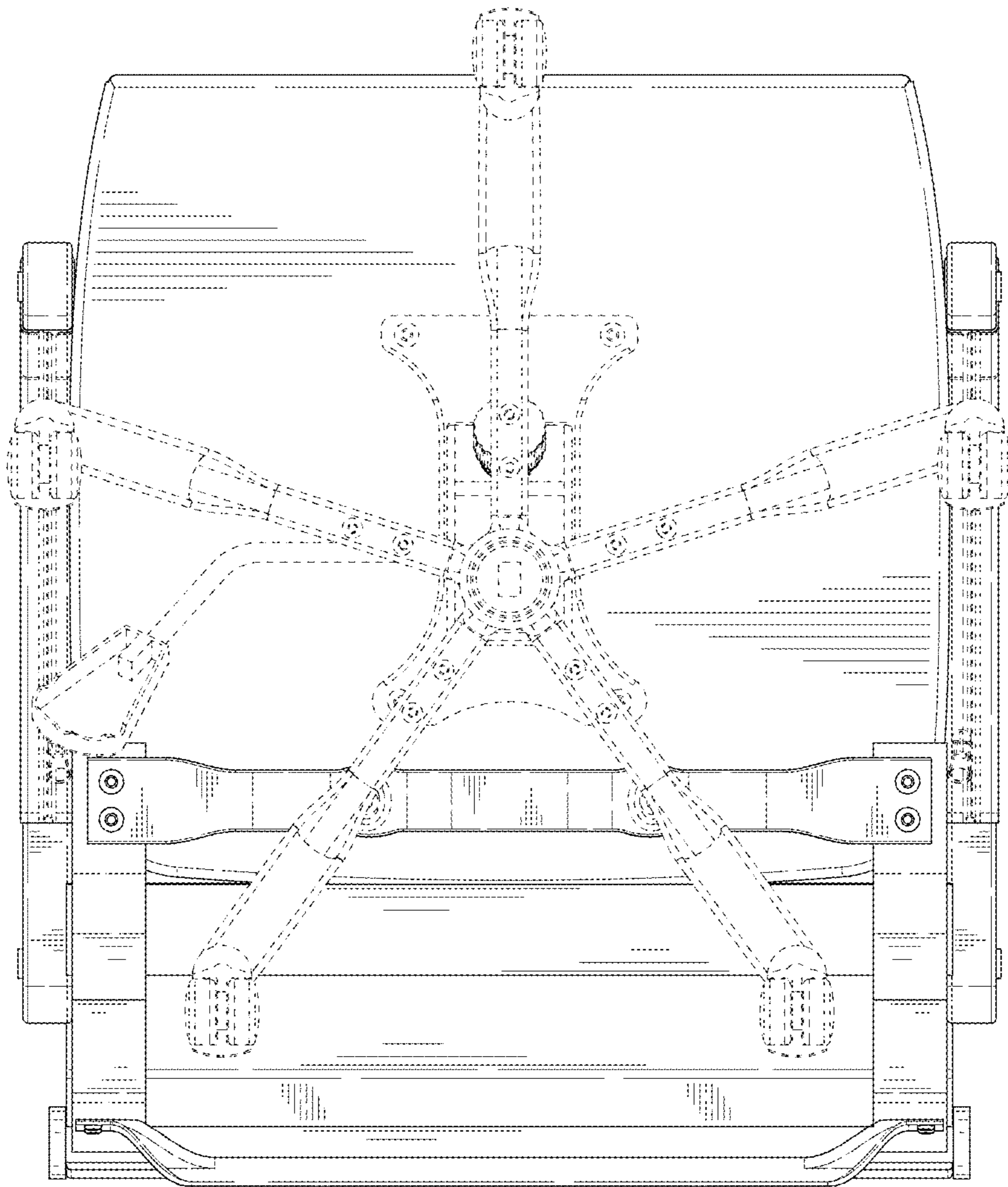


FIG. 8