

US00D965362S

(12) **United States Design Patent**  
**Hagberg**

(10) **Patent No.:** **US D965,362 S**

(45) **Date of Patent:** **\*\* Oct. 4, 2022**

(54) **COMBINATION COAT HANGER AND GUN RACK**

9,345,322 B1 \* 5/2016 Starnes ..... A47G 25/14  
11,110,867 B2 \* 9/2021 Franklin ..... A47F 7/0028  
2018/0009571 A1 \* 1/2018 Feris ..... B65D 25/22

(71) Applicant: **Michael Evert Hagberg**, Battle Ground, WA (US)

\* cited by examiner

(72) Inventor: **Michael Evert Hagberg**, Battle Ground, WA (US)

*Primary Examiner* — Lauren R Calve  
(74) *Attorney, Agent, or Firm* — QuickPatents, LLC;  
Kevin Prince

(\*\*) Term: **15 Years**

(57) **CLAIM**

(21) Appl. No.: **29/834,725**

The ornamental design for a combination coat hanger and gun rack, as shown and described.

(22) Filed: **Apr. 13, 2022**

**DESCRIPTION**

(51) **LOC (13) Cl.** ..... **06-04**

(52) **U.S. Cl.**  
USPC ..... **D6/681.2**; D6/682

(58) **Field of Classification Search**  
USPC ..... D6/315, 317, 318, 319, 328, 396, 552,  
D6/680, 681.1, 681.2, 681.3, 682, 682.1  
CPC ..... A47B 81/005; A47B 57/18; A47B 81/00;  
A47B 57/565; A47B 61/003  
See application file for complete search history.

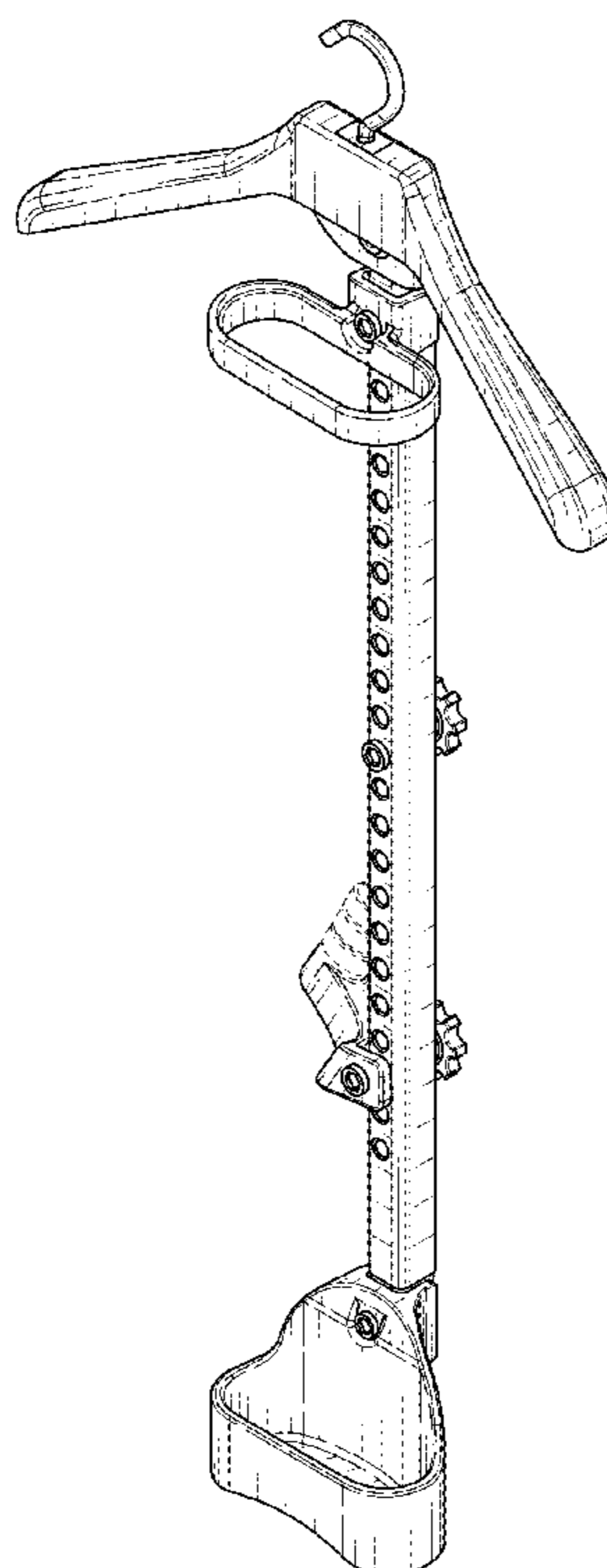
FIG. 1 is a front perspective view of a combination coat hanger and gun rack, showing my new design in a position of use with a coat, a rifle, and a pistol;  
FIG. 2 is a front perspective view thereof, shown in a second position of use;  
FIG. 3 is a front perspective view of the combination coat hanger and gun rack;  
FIG. 4 is a front elevational view of FIG. 3;  
FIG. 5 is a rear elevational view of FIG. 3;  
FIG. 6 is a left-side elevational view of FIG. 3;  
FIG. 7 is a right-side elevational view of FIG. 3;  
FIG. 8 is a top plan view of FIG. 3;  
FIG. 9 is a bottom plan view of FIG. 3;  
FIG. 10 is a bottom perspective view thereof; and,  
FIG. 11 is an exploded front perspective view thereof.  
The broken lines showing a coat, rifle, a pistol, and round spacers in the figures depict environmental matter and form no part of the claimed design.

(56) **References Cited**

**U.S. PATENT DOCUMENTS**

D154,206 S \* 6/1949 Kraus ..... D20/41  
D179,820 S \* 3/1957 Reynolds ..... D6/682  
2,783,896 A \* 3/1957 Agostini ..... B60R 7/14  
224/567  
2,998,903 A \* 9/1961 Day ..... A47G 25/14  
223/68  
D234,658 S \* 4/1975 Tillinger ..... D6/682  
D300,289 S \* 3/1989 Walter ..... D6/681.2

**1 Claim, 9 Drawing Sheets**



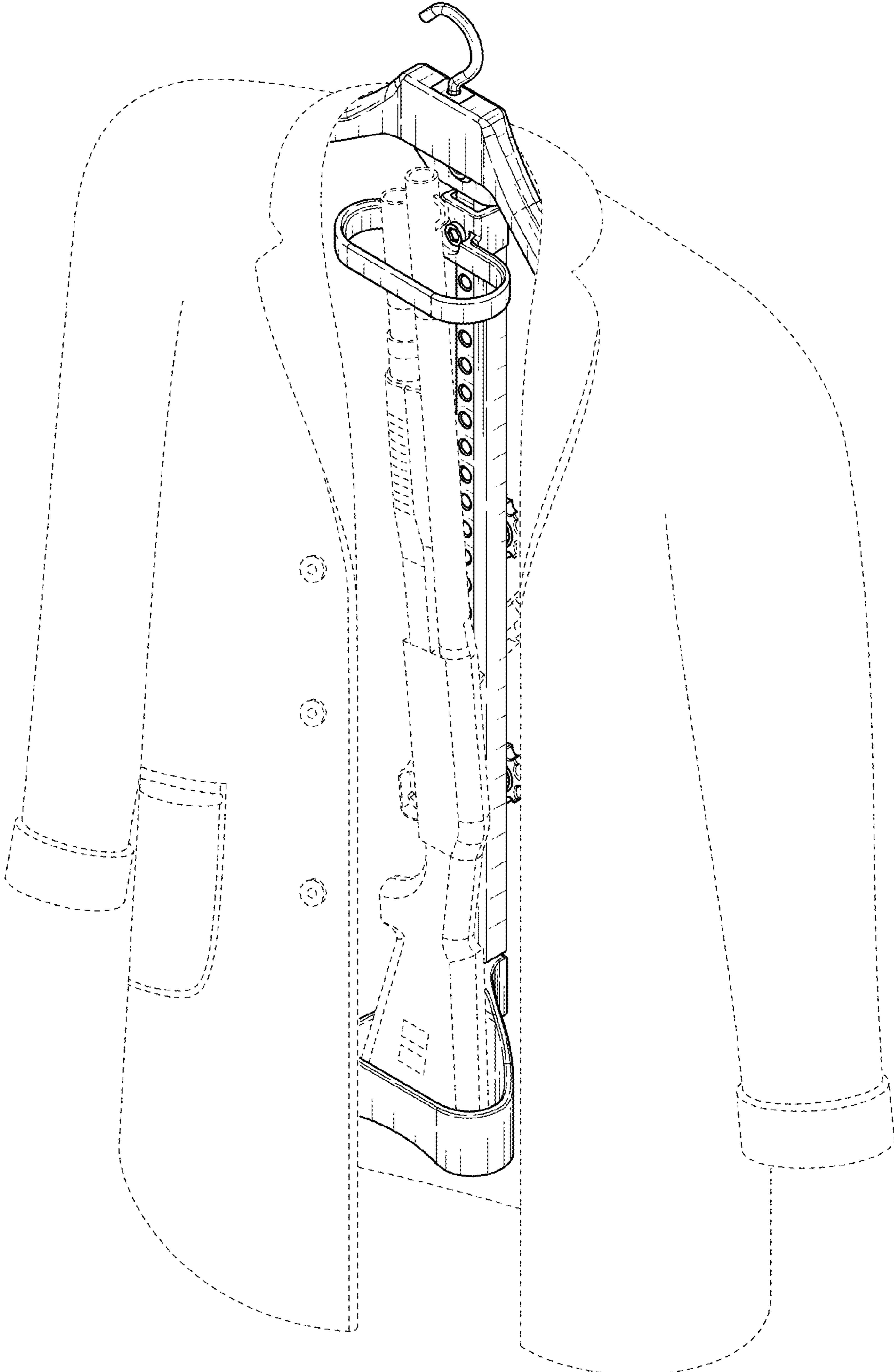


FIG. 1

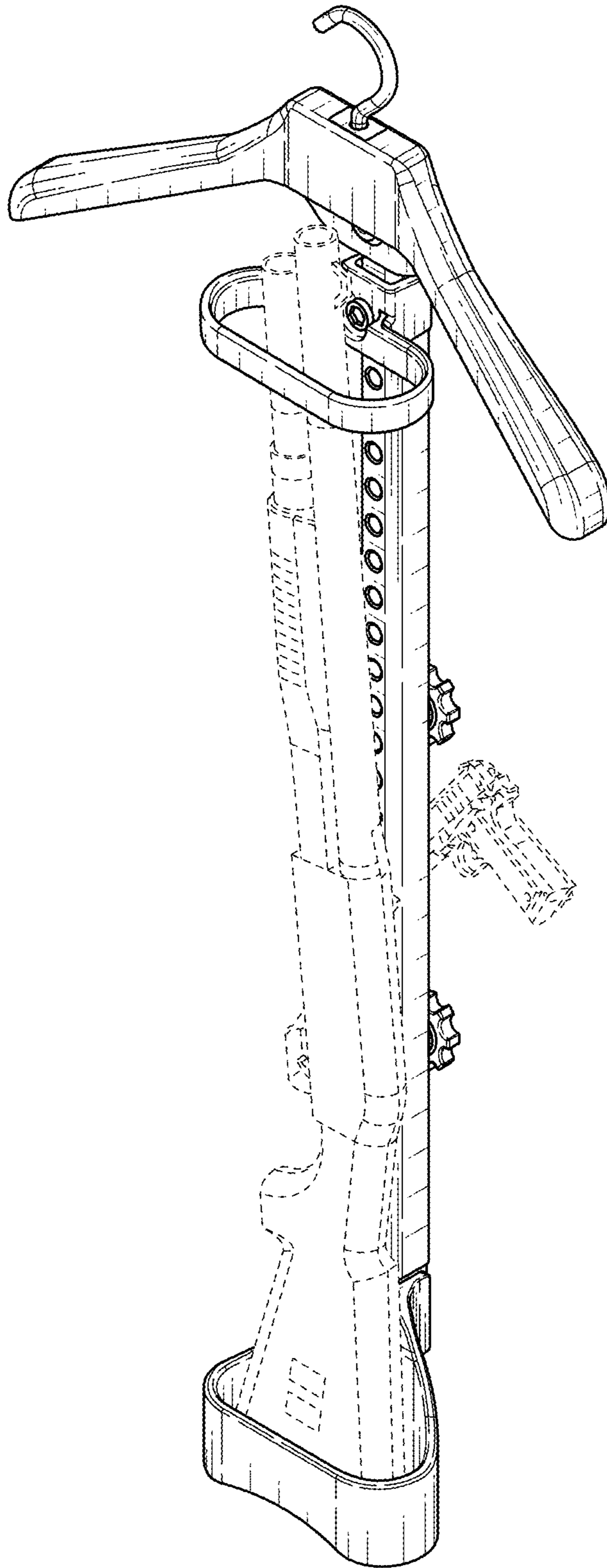


FIG. 2

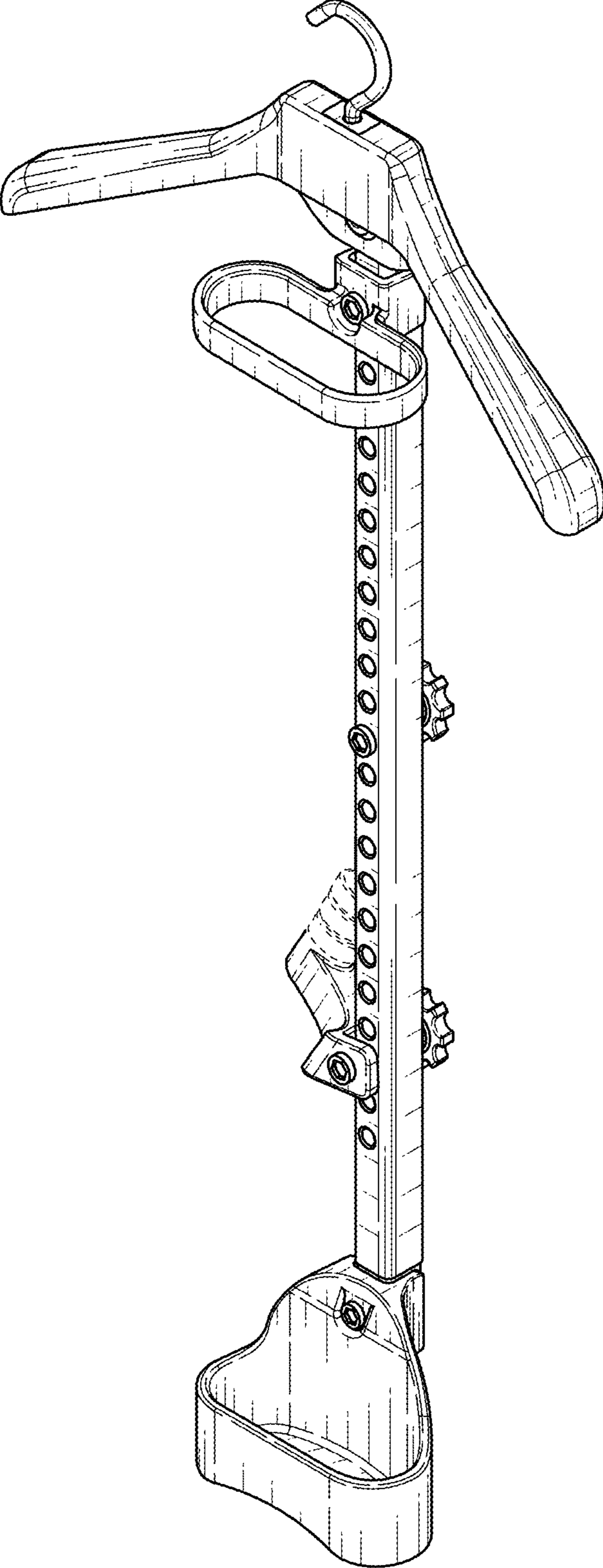


FIG. 3



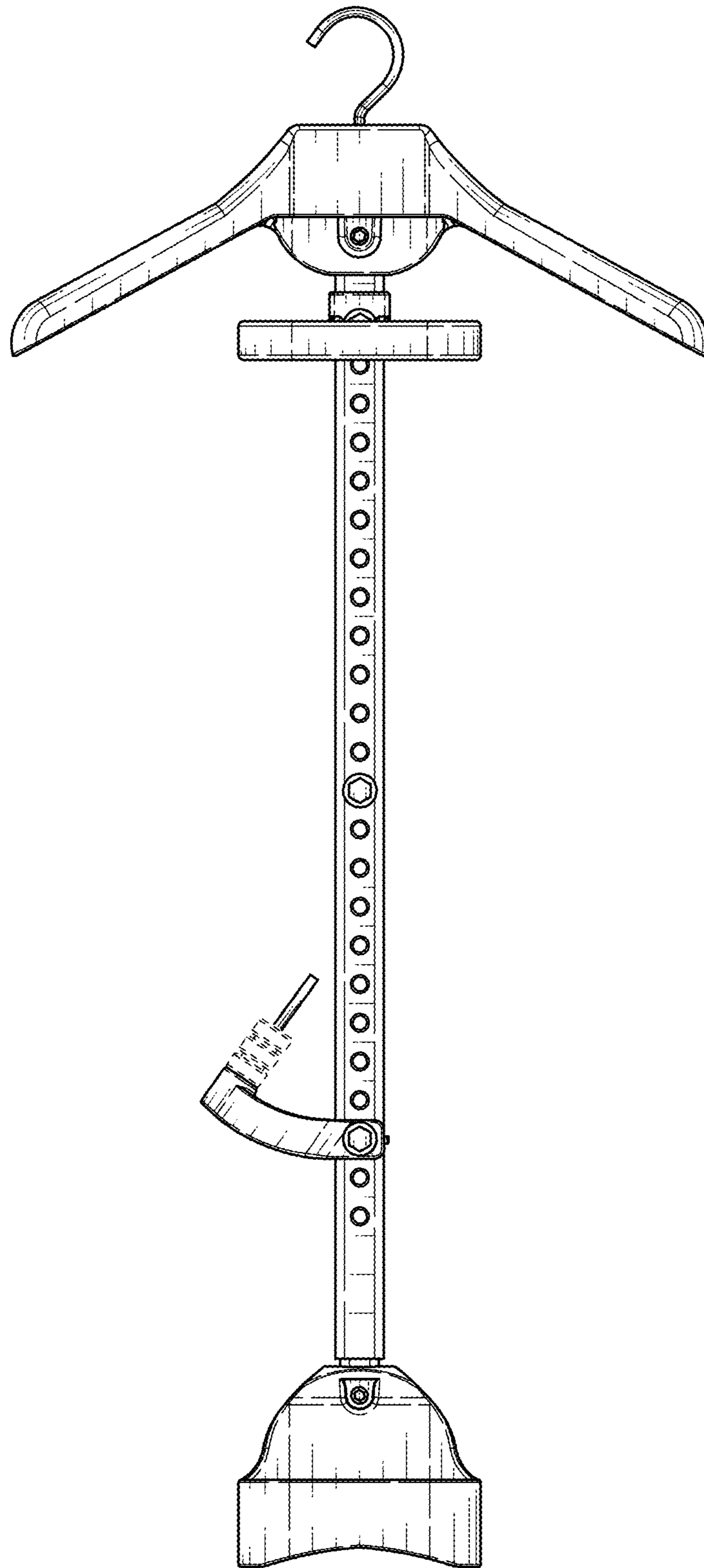


FIG. 4

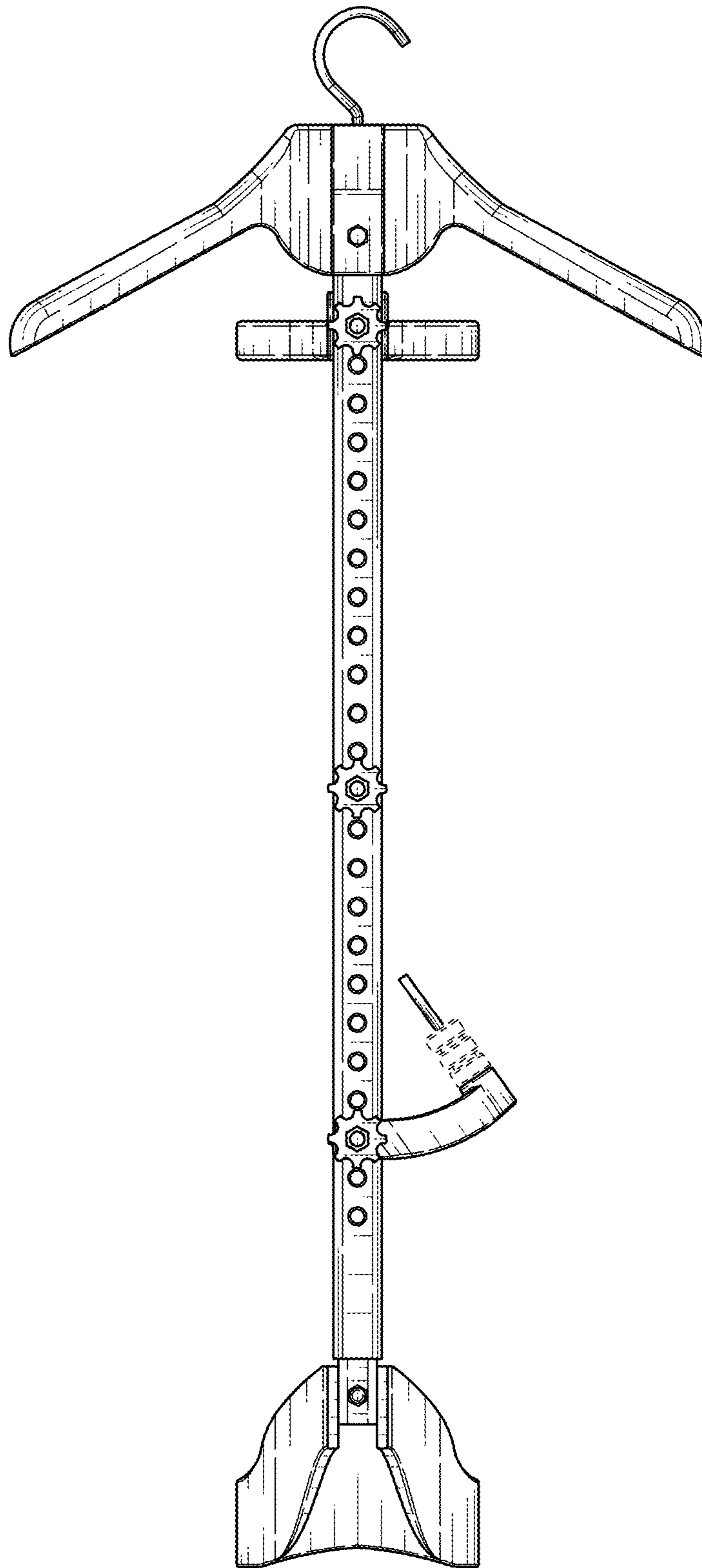


FIG. 5

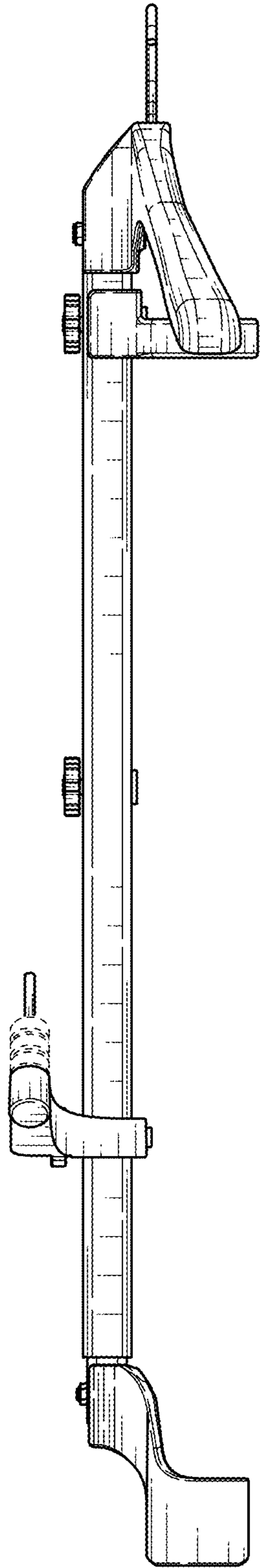


FIG. 6

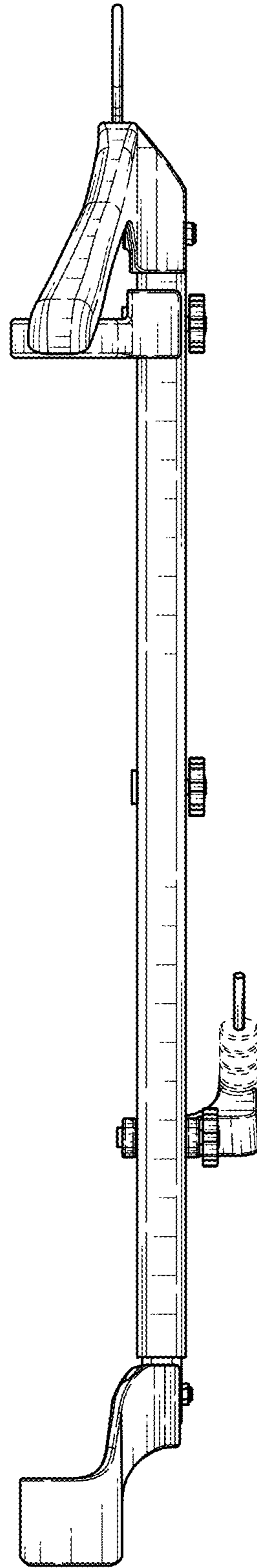


FIG. 7

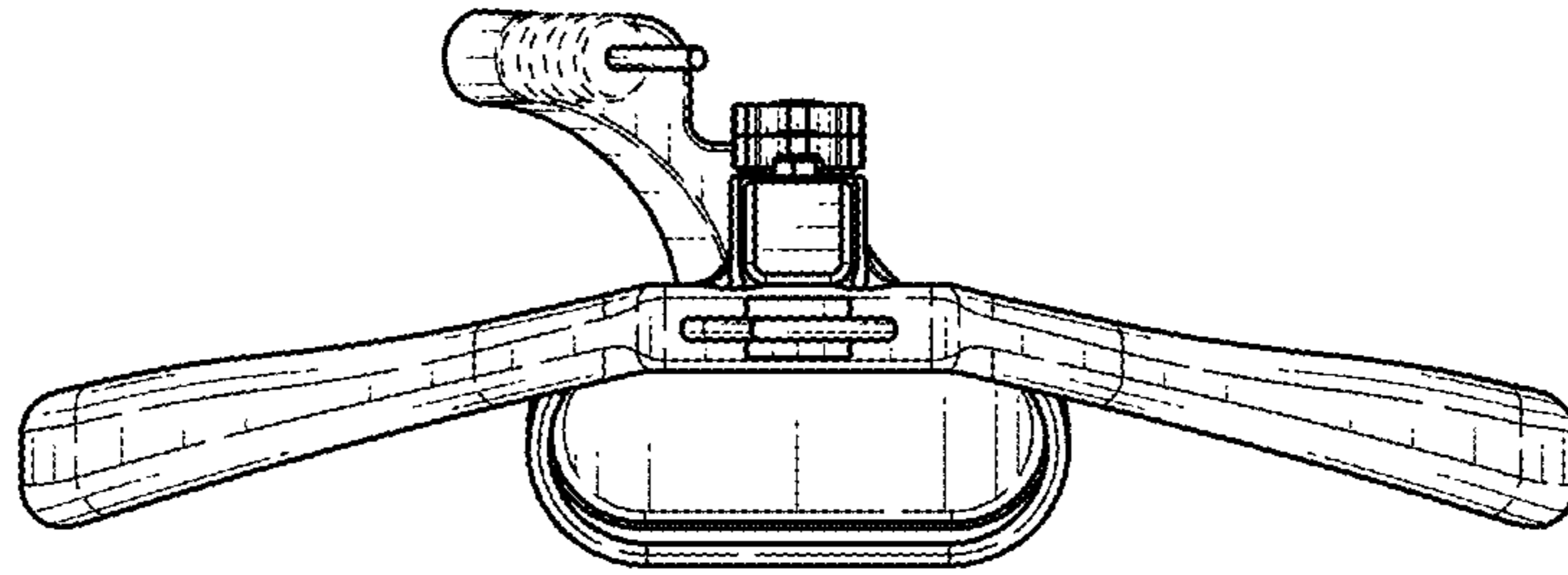


FIG. 8

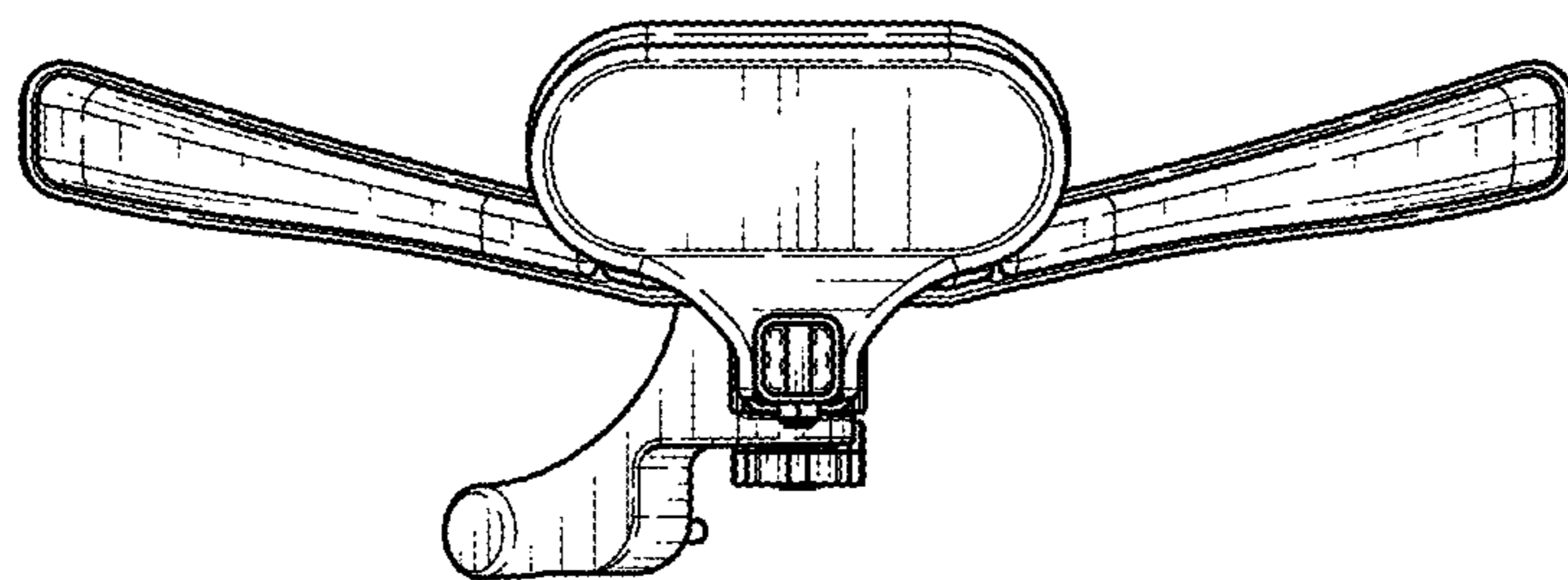


FIG. 9



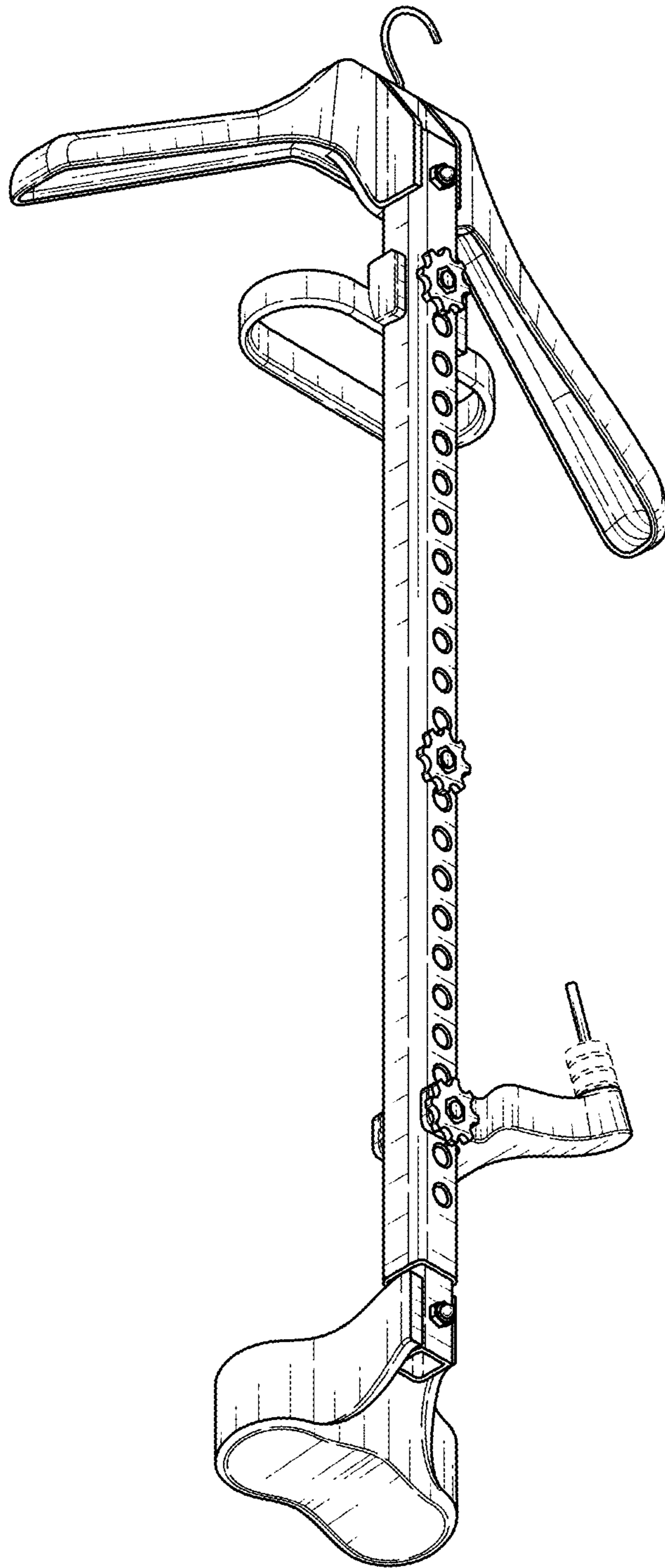


FIG. 10

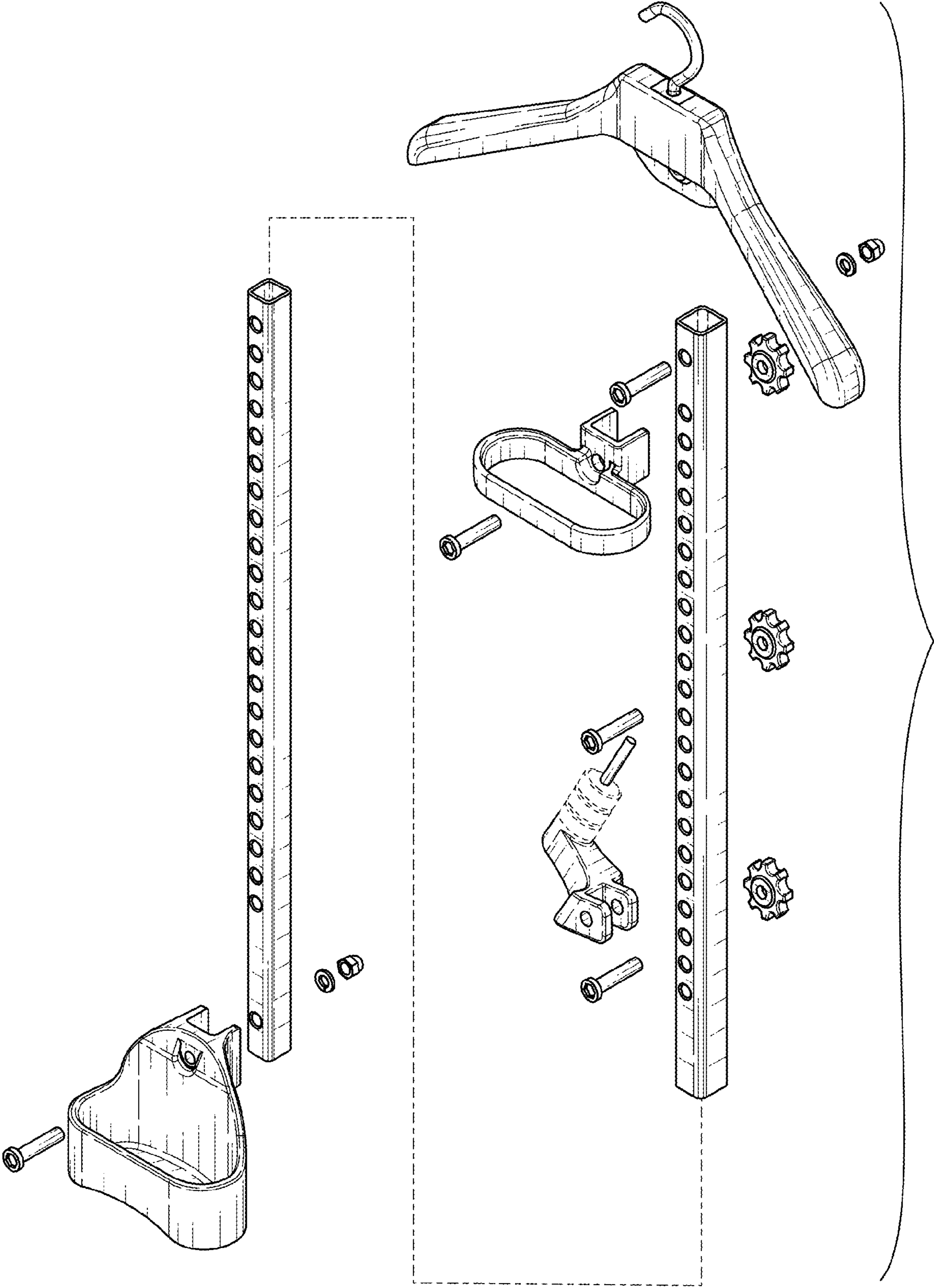


FIG. 11