

US00D965360S

(12) **United States Design Patent** (10) **Patent No.:** **US D965,360 S**
Huang (45) **Date of Patent:** **** Oct. 4, 2022**

(54) **CLOTHES RACK**
(71) Applicant: **FUJIAN PUTIAN YUDA HOME FURNISHING CO., LTD**, Putian (CN)
(72) Inventor: **Guoyu Huang**, Putian (CN)
(**) Term: **15 Years**
(21) Appl. No.: **29/822,445**

D367,375 S * 2/1996 Vukelich, Sr. D6/675.2
5,617,962 A * 4/1997 Chen A47G 25/0664
211/206
5,718,344 A * 2/1998 Joldeson A47F 5/13
211/206
D419,335 S * 1/2000 Kopala, Jr. D6/672
D450,947 S 11/2001 Walker
D450,948 S * 11/2001 Stafford D6/681.1
(Continued)

(22) Filed: **Jan. 10, 2022**
(51) **LOC (13) Cl.** **06-04**
(52) **U.S. Cl.**
USPC **D6/681.2**
(58) **Field of Classification Search**
USPC D6/672, 673, 675, 675.1-675.5, 681,
D6/681.1, 681.2
CPC A47B 43/00; A47B 45/00; A47B 46/00;
A47B 47/00; A47B 47/02; A47B 47/021;
A47B 61/00; A47B 61/02; A47F 5/00;
A47F 5/0031; A47F 5/01; A47F 5/0807;
A47F 5/13; A47F 7/19; A47F 7/24; A47G
25/06

See application file for complete search history.

(56) **References Cited**

U.S. PATENT DOCUMENTS

D131,907 S * 4/1942 Sarvis et al. D6/681
3,499,541 A * 3/1970 Mackie A47F 7/08
211/206
3,503,525 A * 3/1970 Loebner A47F 7/24
211/195
3,620,377 A * 11/1971 Holtz A47F 5/13
211/206
3,705,731 A * 12/1972 Berchak B62B 3/02
280/43
D237,231 S * 10/1975 Wells et al. D6/672
4,054,209 A * 10/1977 Solomon A47F 7/24
211/208
D288,755 S * 3/1987 Schoenig D6/681.1
D352,190 S * 11/1994 Tucker D6/682.2

OTHER PUBLICATIONS

Bofeng Clothing Garment Rack, amazon.com, <https://www.amazon.com/Clothing-Organizer-Commercial-Multi-Purpose-Entryway/dp/B07M8JQHJ1?th=1> (Year: 2020).*

(Continued)

Primary Examiner — Steven J Czyz

(74) *Attorney, Agent, or Firm* — Rumit Ranjit Kanakia

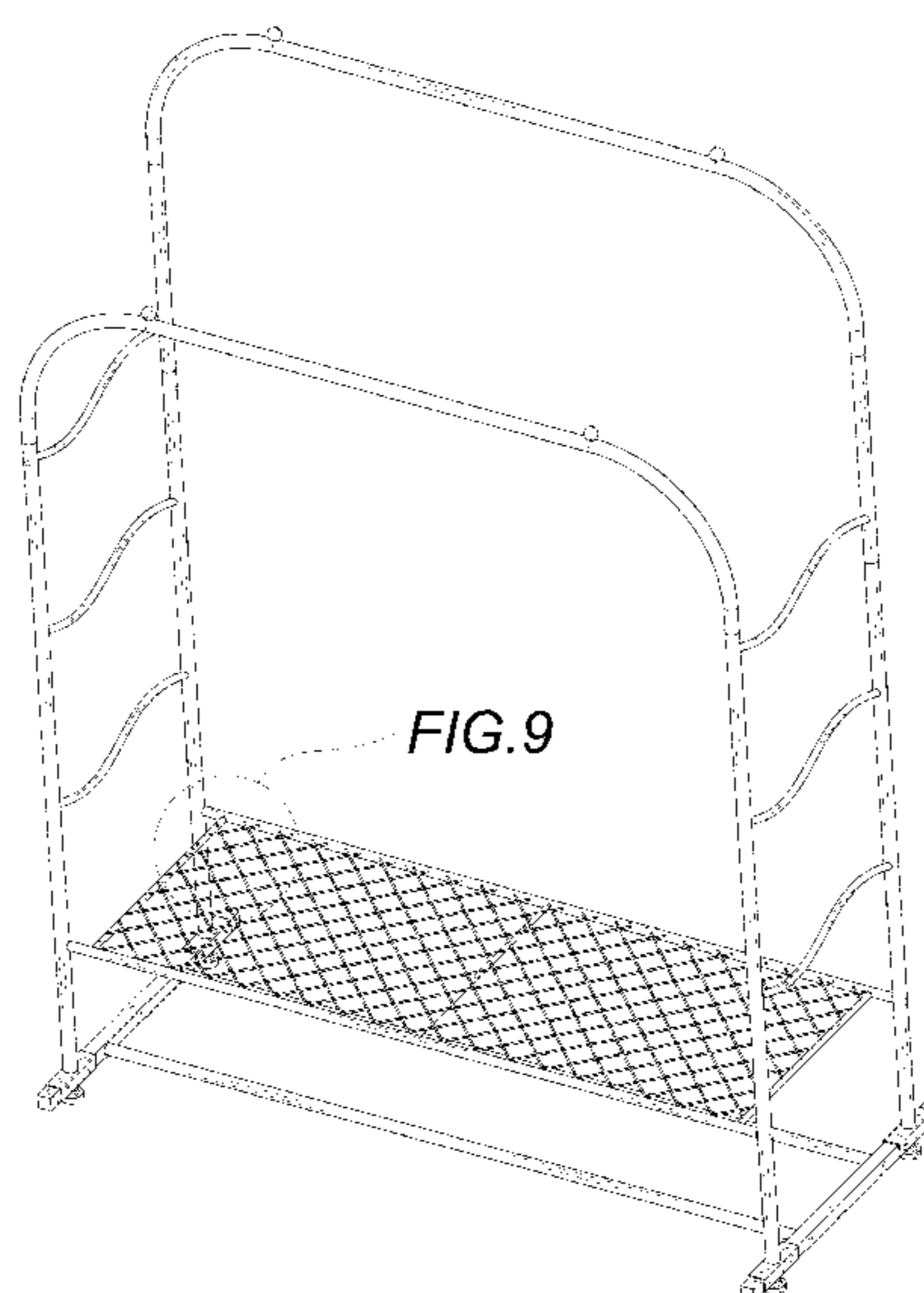
(57) **CLAIM**

The ornamental design for a clothes rack, as shown and described.

DESCRIPTION

FIG. 1 is a perspective view of a clothes rack showing my new design;
FIG. 2 is another perspective view thereof;
FIG. 3 is a front elevational view thereof;
FIG. 4 is a rear elevational view thereof,
FIG. 5 is a left side view thereof;
FIG. 6 is a right side view thereof;
FIG. 7 is a top plan view thereof;
FIG. 8 is a bottom plan view thereof;
FIG. 9 is a partial enlarged view of FIG. 1;
FIG. 10 is a partial enlarged view of FIG. 2; and,
FIG. 11 is a partial enlarged view of FIG. 2.
The broken lines in the figures are for the purposes of illustrating portions of the clothes rack, which form no part of the claimed design.

1 Claim, 10 Drawing Sheets



(56)

References Cited

U.S. PATENT DOCUMENTS

D456,167 S * 4/2002 Harwanko D6/548
 6,401,948 B1 * 6/2002 Huang A47F 7/24
 211/206
 D462,539 S * 9/2002 Segall D6/681.1
 D466,331 S * 12/2002 Chang D6/681.1
 D470,332 S 2/2003 Clucas
 D470,685 S * 2/2003 Chang D6/681.1
 D474,350 S * 5/2003 Sardis D6/681.1
 D475,551 S 6/2003 Kelso
 D476,167 S * 6/2003 Klein D6/681.1
 6,644,484 B1 * 11/2003 Sardis A47F 5/137
 211/189
 D487,124 S * 2/2004 Toniolo D21/691
 D491,742 S * 6/2004 Harwanko D6/681.1
 D495,523 S * 9/2004 Harwanko D6/681.1
 D495,524 S * 9/2004 Harwanko D6/681.1
 D515,844 S * 2/2006 Pryor D6/681
 D516,850 S 3/2006 Shieh
 7,077,277 B2 * 7/2006 Wang A47G 25/0664
 403/65
 D532,623 S * 11/2006 Tsai D6/675.5
 D537,266 S * 2/2007 Ward D6/681.1
 D546,013 S * 7/2007 Pong D32/58
 D591,533 S * 5/2009 Karsson D6/675.3
 D603,188 S * 11/2009 Wang D6/675.5
 D613,965 S * 4/2010 Tertel D6/675.5
 D617,576 S * 6/2010 Lin D6/681.1
 D631,682 S 2/2011 Western
 7,946,434 B1 * 5/2011 Greenspon A47F 7/24
 211/195
 D677,932 S * 3/2013 Wang D6/681.1
 8,936,166 B2 * 1/2015 Hornsby A47G 25/0685
 211/195
 D736,548 S * 8/2015 Hornsby D6/681.1
 D749,879 S * 2/2016 Wall D6/680.3
 D750,401 S * 3/2016 Ruiz D6/681
 D753,940 S * 4/2016 Ruiz D6/681
 9,364,104 B1 * 6/2016 Wood A47G 25/06
 D777,483 S * 1/2017 Bittle D6/681
 D805,329 S * 12/2017 Rockwell A47B 61/003
 D6/675.3
 D808,203 S * 1/2018 Davis G06K 7/1413
 D6/675.3
 D809,835 S * 2/2018 Greenspon D6/681
 D819,374 S * 6/2018 Kuehn D6/681.2
 D825,959 S * 8/2018 Rockwell A47G 25/06
 D6/675.3
 D827,342 S * 9/2018 Stukenberg D6/681
 D829,473 S * 10/2018 Mical D6/681

10,264,878 B1 * 4/2019 Liu A47G 25/0664
 D853,762 S * 7/2019 Tucker A47G 25/0685
 D6/672
 D860,689 S * 9/2019 Davis D6/672
 D864,625 S * 10/2019 Rockwell A47F 5/137
 D6/675
 D874,191 S * 2/2020 Qi D6/664
 D885,806 S * 6/2020 Rockwell A47F 5/13
 D6/675
 D887,188 S * 6/2020 Felsenthal D6/681.2
 D889,171 S * 7/2020 Cao D6/681.2
 D895,331 S * 9/2020 Felsenthal D6/678.4
 D901,952 S * 11/2020 Tuang D6/681
 D909,104 S * 2/2021 Lai D6/681.2
 D910,351 S * 2/2021 Davis D6/681.2
 D911,085 S * 2/2021 Song D6/681.2
 D917,212 S * 4/2021 Du D6/681.2
 D923,274 S * 6/2021 Cui D32/58
 D923,370 S * 6/2021 Davis D6/675.3
 D936,402 S * 11/2021 Huang D6/681
 D941,619 S * 1/2022 Davis A47G 25/0664
 D6/675.3
 D946,327 S * 3/2022 Felsenthal D6/681.2
 D947,583 S * 4/2022 Li D6/681.2
 D955,145 S * 6/2022 Huang D6/681
 D956,458 S * 7/2022 Wang D6/675.5
 2006/0011674 A1 * 1/2006 Finch A47F 7/24
 223/120
 2006/0065615 A1 * 3/2006 Wang A47F 7/24
 211/206
 2010/0294900 A1 * 11/2010 Maurer A45F 3/44
 248/419
 2011/0114581 A1 * 5/2011 Greenspon A47G 25/0685
 211/85.3
 2012/0074082 A1 * 3/2012 Hornsby A47G 25/0685
 211/85.3
 2015/0008201 A1 * 1/2015 Qiang D06F 57/06
 211/199
 2016/0015190 A1 * 1/2016 White B62B 11/00
 211/175
 2018/0160801 A1 * 6/2018 Felsenthal F16B 7/042
 2019/0223628 A1 * 7/2019 Hicks A47B 47/0058
 2020/0288863 A1 * 9/2020 Felsenthal A47B 61/003
 2020/0401988 A1 * 12/2020 Brown G06K 7/1413

OTHER PUBLICATIONS

Untyo Clothing Rack, amazon.com, <https://www.amazon.ca/Untyo-Clothing-Garment-Rolling-Bedroom/dp/B08NPJFDF1?th=1> (Year: 2020).*

* cited by examiner

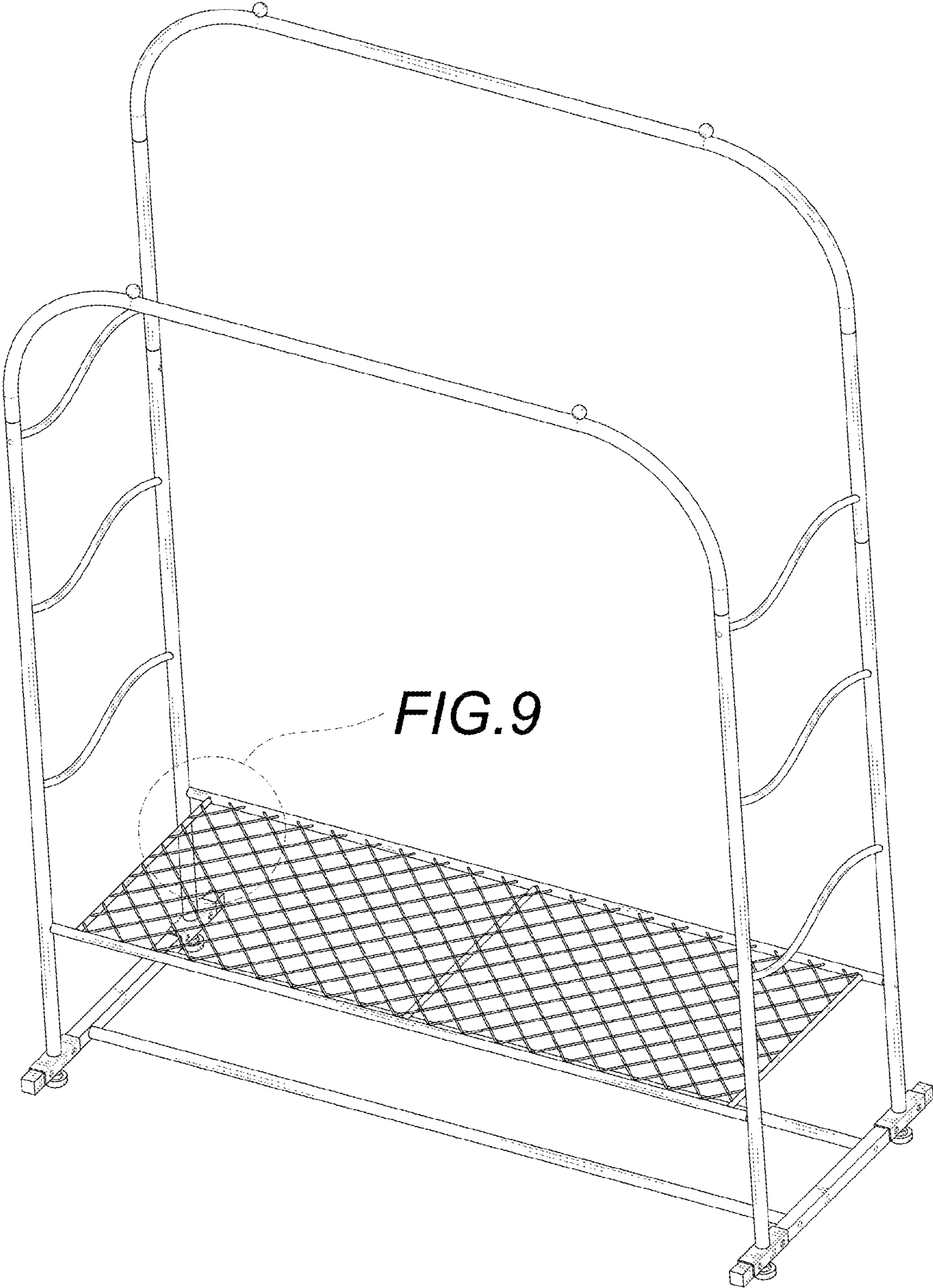
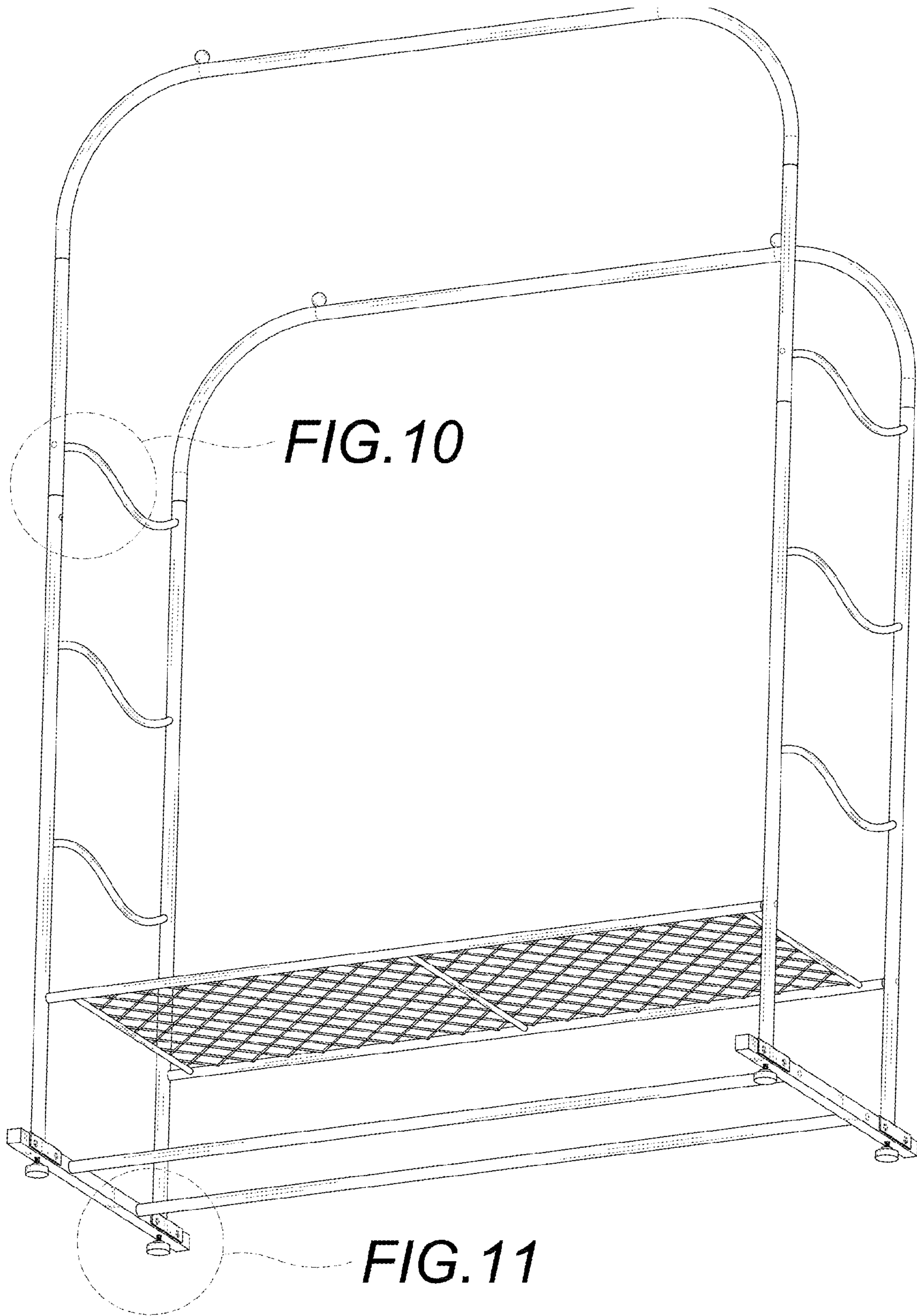


FIG. 9

FIG. 1



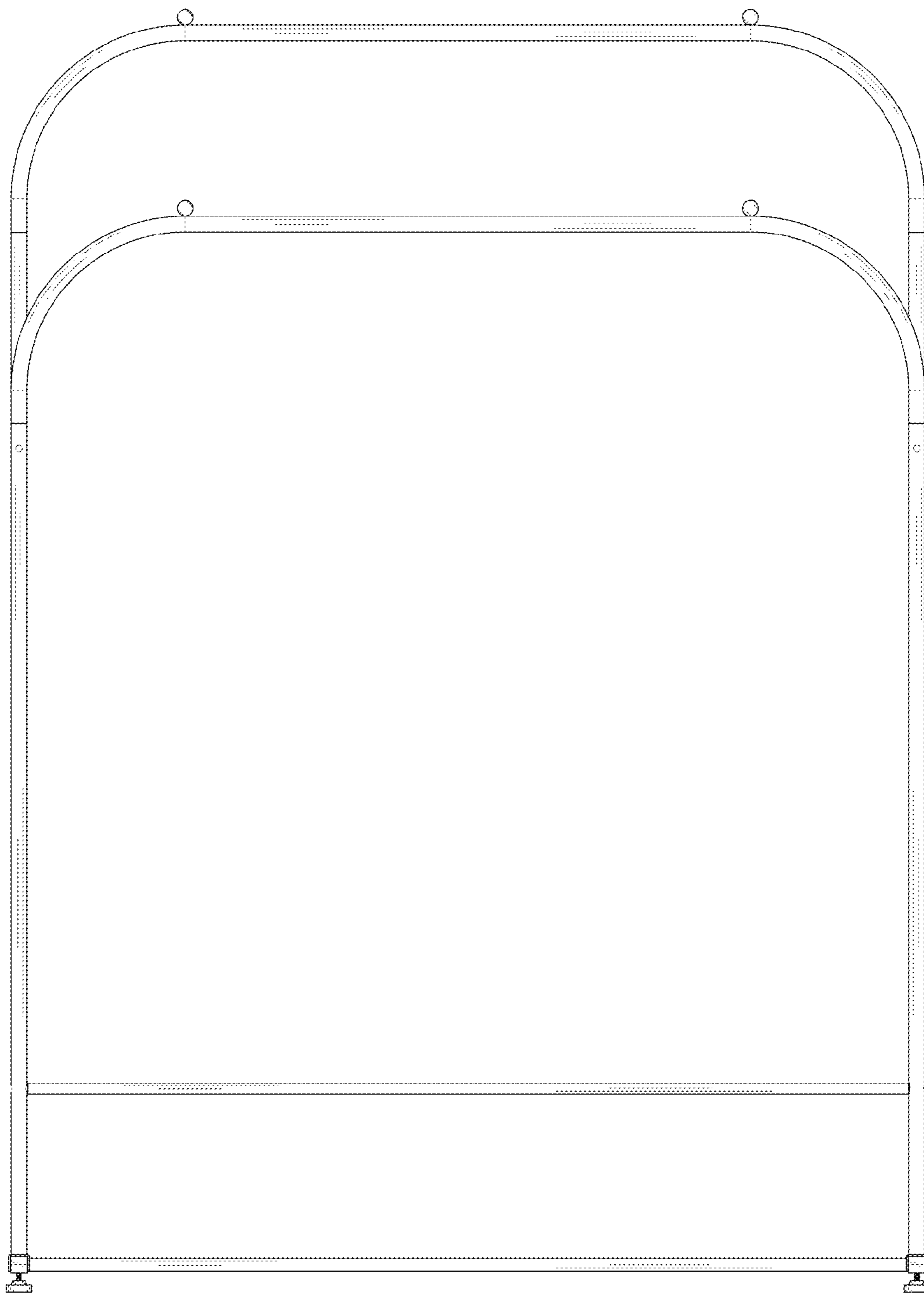


FIG. 3

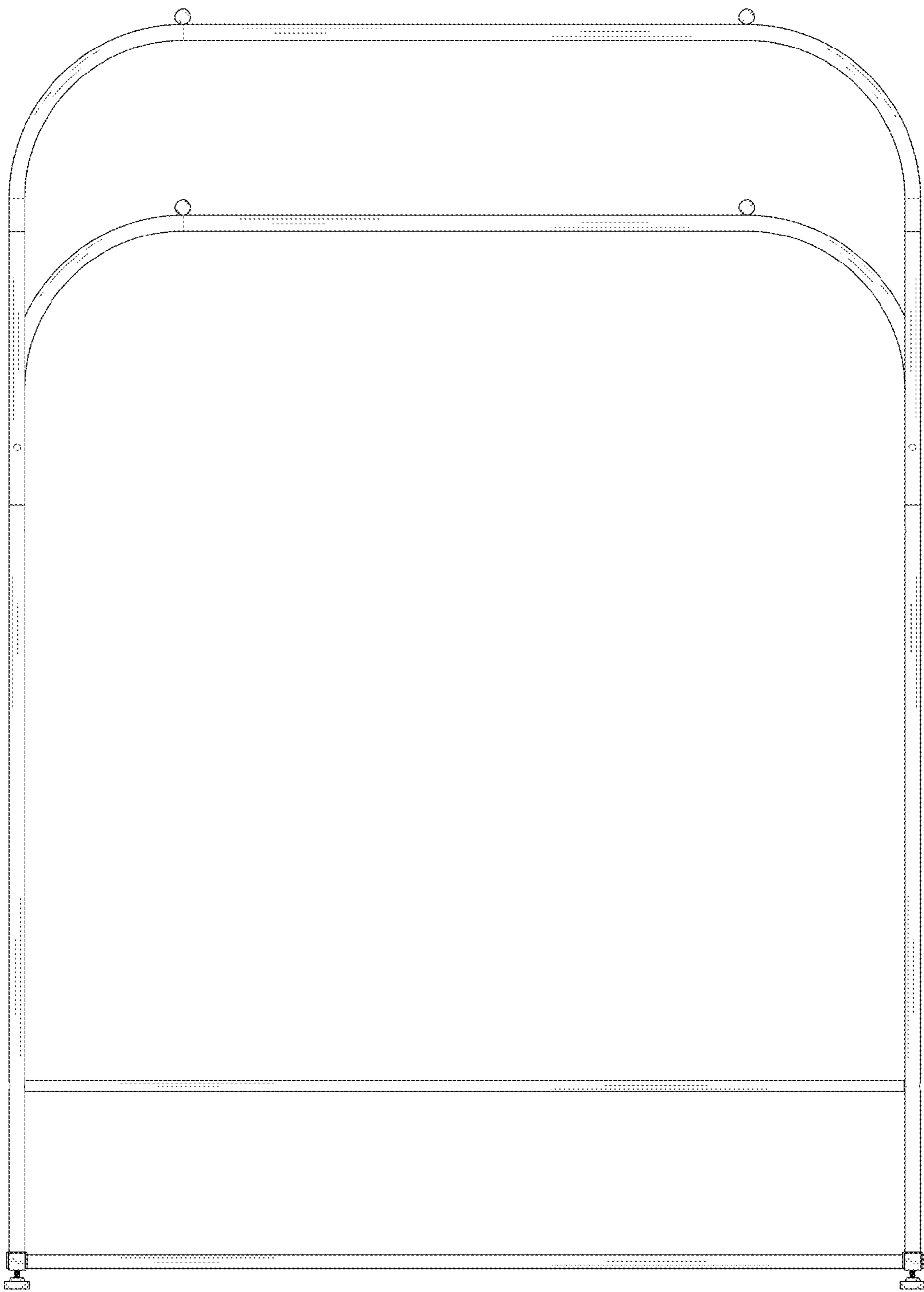


FIG. 4

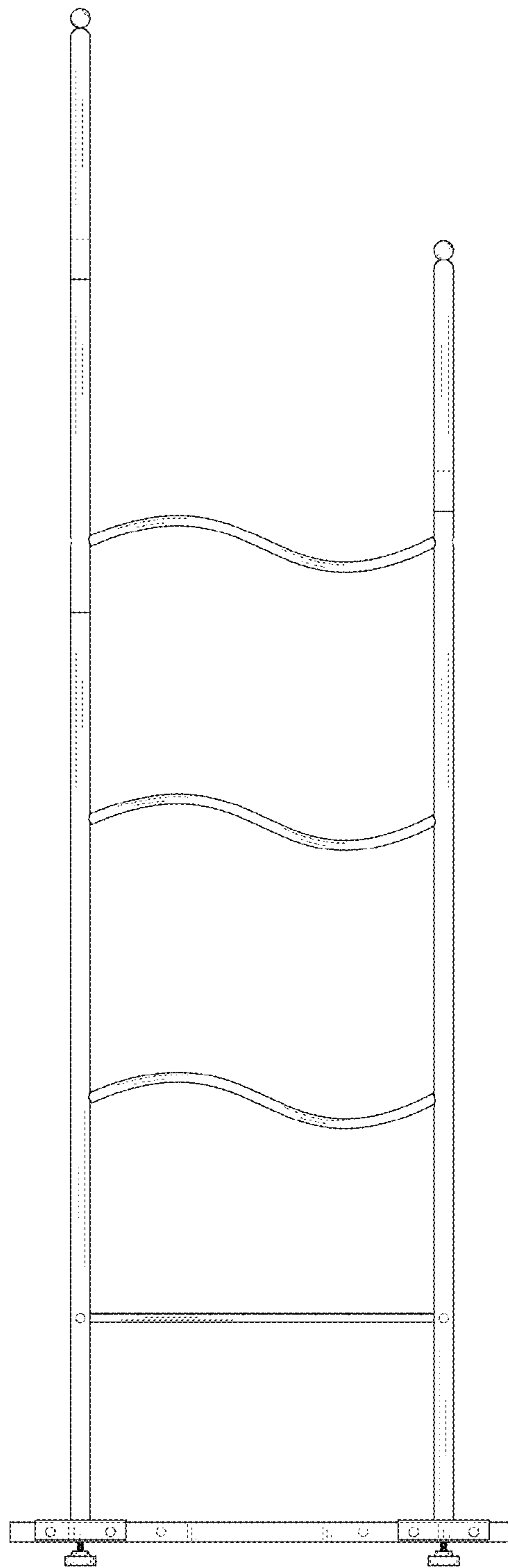


FIG. 5

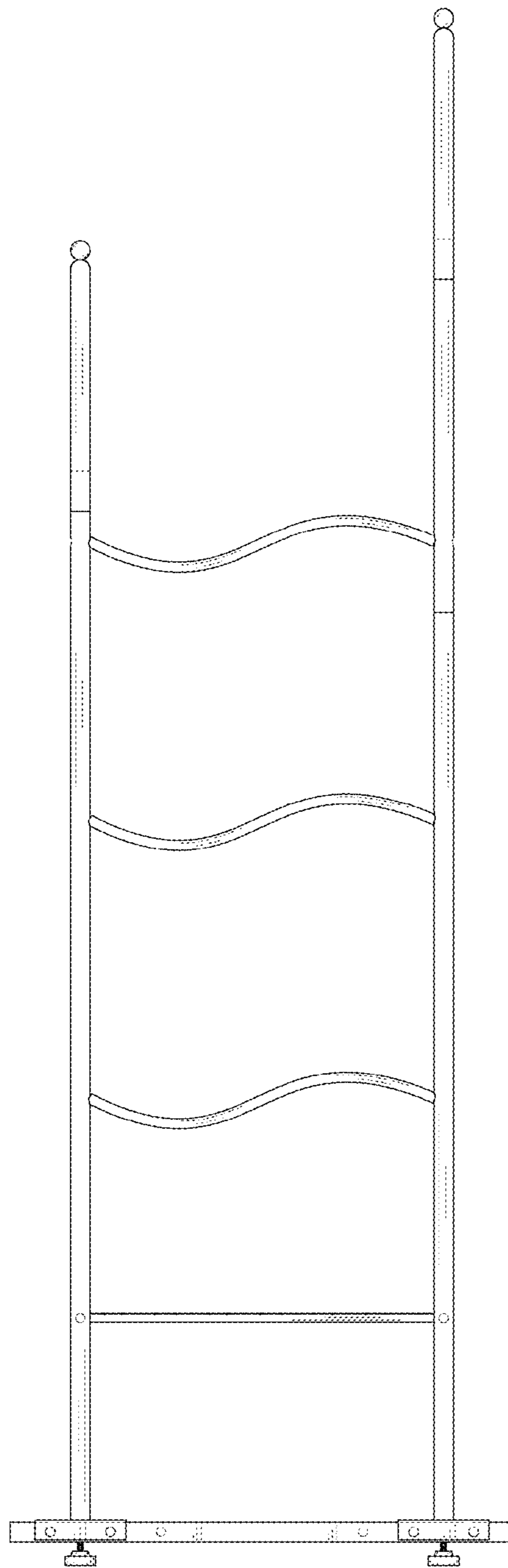


FIG. 6

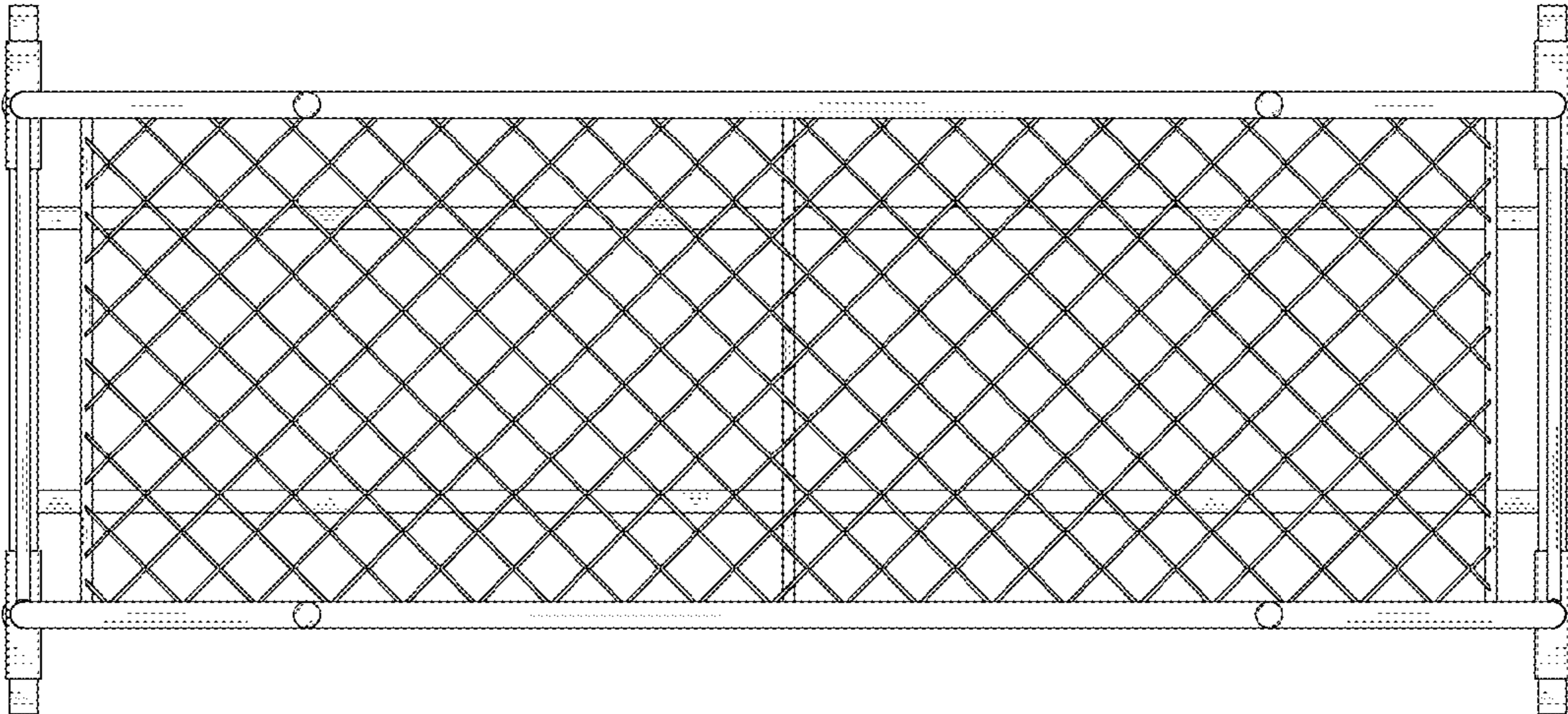


FIG. 7

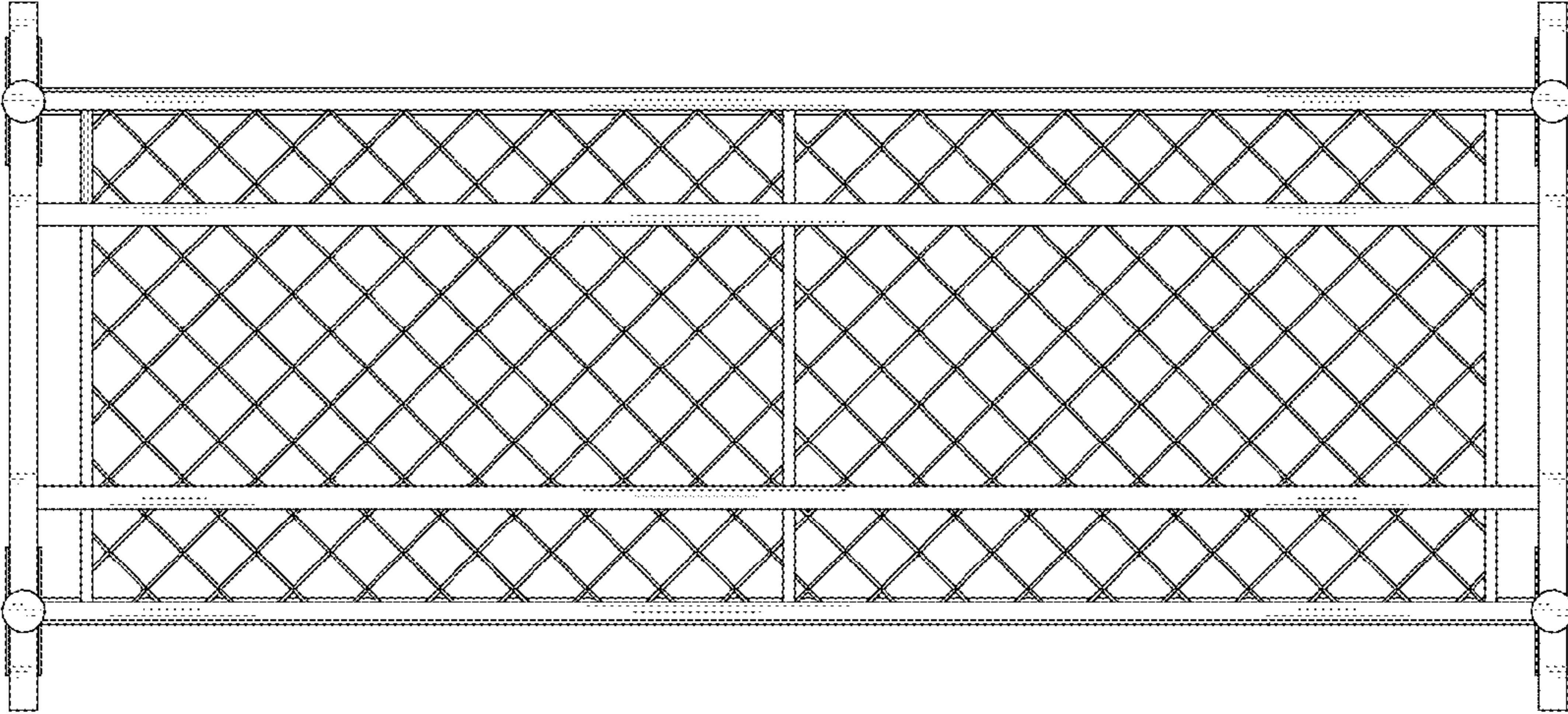


FIG. 8

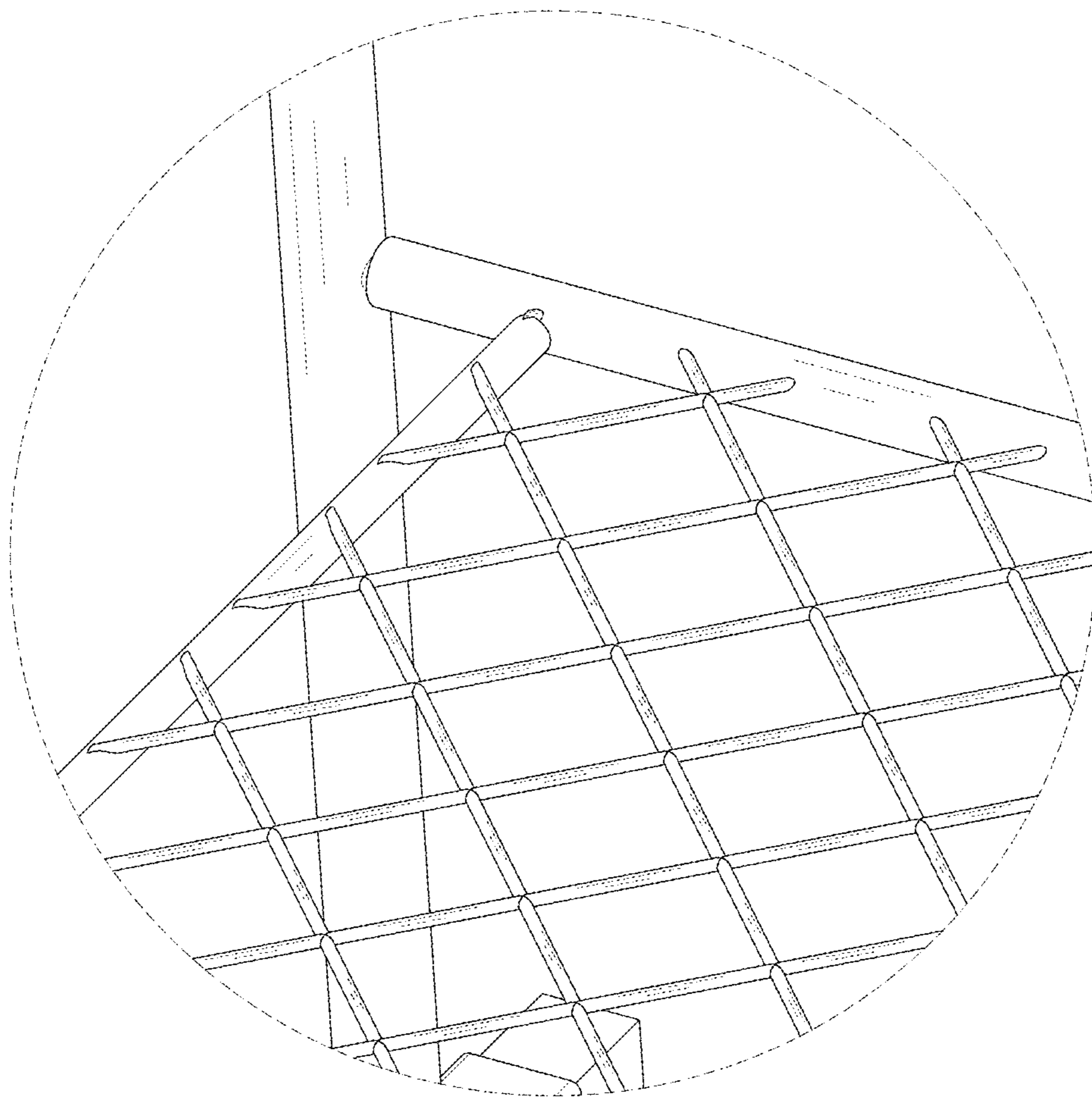


FIG. 9

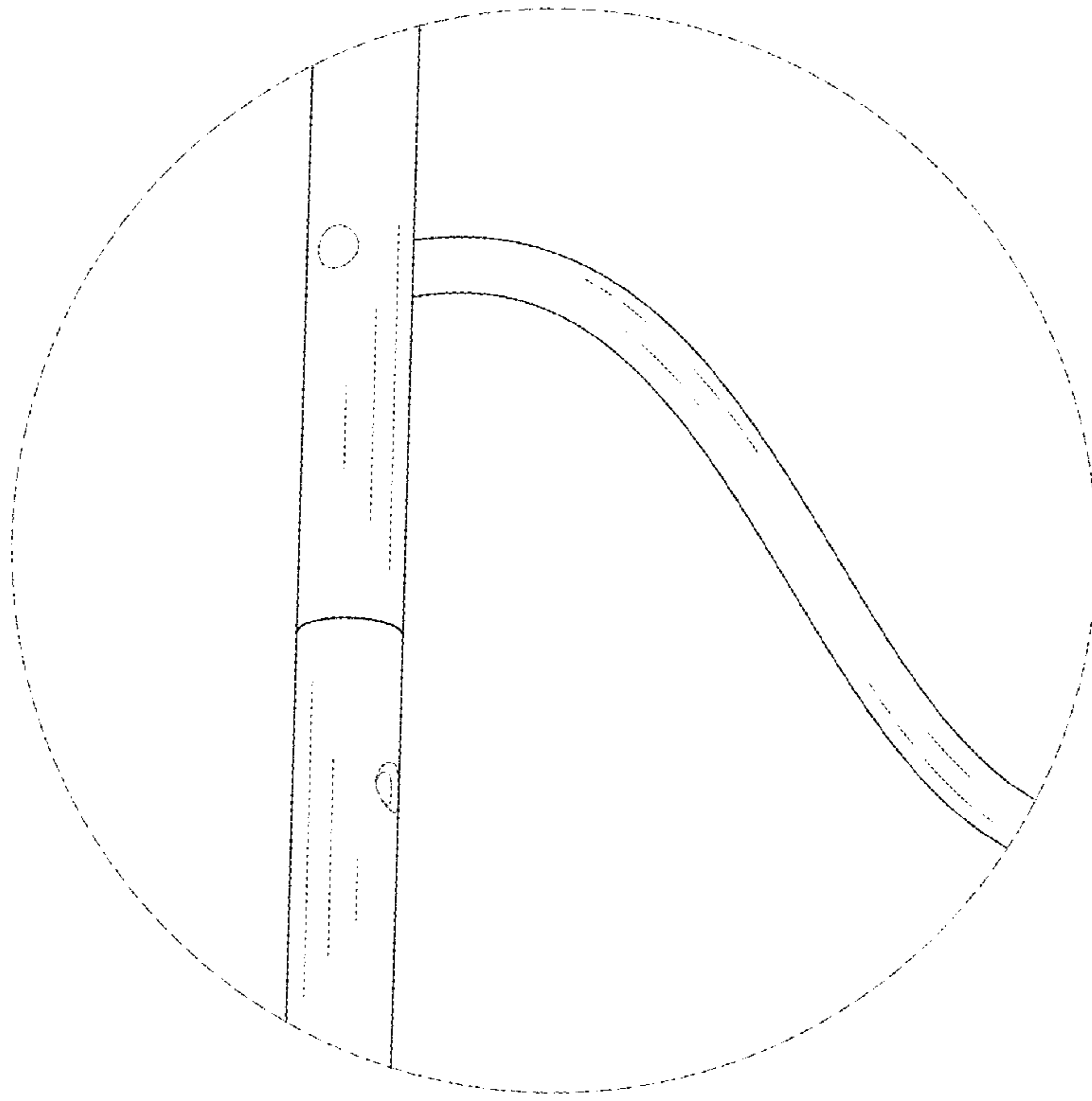


FIG. 10

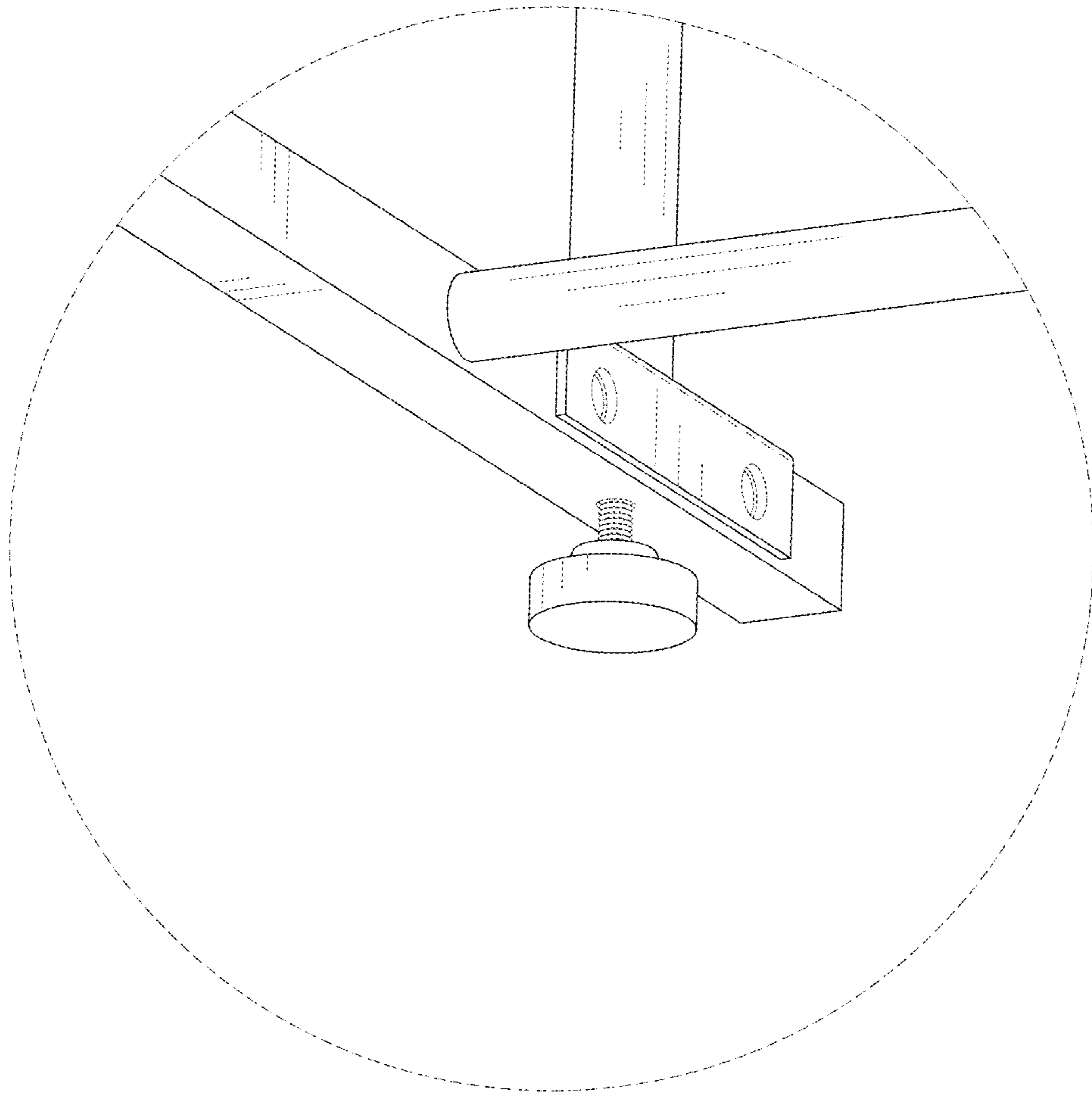


FIG. 11