



US00D965358S

(12) **United States Design Patent** (10) **Patent No.:** **US D965,358 S**  
**Huang** (45) **Date of Patent:** **\*\* Oct. 4, 2022**

(54) **CLOTHES RACK**  
(71) Applicant: **Qingxia Huang**, Putian (CN)  
(72) Inventor: **Qingxia Huang**, Putian (CN)  
(\*\*) Term: **15 Years**

5,617,962 A \* 4/1997 Chen ..... A47G 25/0664  
211/206  
5,718,344 A \* 2/1998 Joldeson ..... A47F 5/13  
211/206  
D414,625 S 10/1999 Stelmarski  
D419,335 S \* 1/2000 Kopala, Jr. .... D6/672  
D450,948 S \* 11/2001 Stafford ..... D6/681.1  
D451,304 S 12/2001 Felsenthal

(Continued)

(21) Appl. No.: **29/822,249**

(22) Filed: **Jan. 7, 2022**

(51) **LOC (13) Cl.** ..... **06-04**

(52) **U.S. Cl.**  
USPC ..... **D6/681.2**

(58) **Field of Classification Search**  
USPC ..... D6/672, 673, 675, 675.1, 675.2, 675.3,  
D6/675.4, 675.5, 681, 681.1, 681.2  
CPC ..... A47B 43/00; A47B 45/00; A47B 46/00;  
A47B 47/00; A47B 47/02; A47B 47/021;  
A47B 61/00; A47B 61/02; A47F 5/00;  
A47F 5/0031; A47F 5/01; A47F 5/0807;  
A47F 5/13; A47F 7/19; A47F 7/24; A47G  
25/06

See application file for complete search history.

(56) **References Cited**

**U.S. PATENT DOCUMENTS**

D131,907 S \* 4/1942 Sarvis et al. .... D6/681  
3,499,541 A \* 3/1970 Mackie ..... A47F 7/08  
211/206  
3,503,525 A \* 3/1970 Loebner ..... A47F 7/24  
211/195  
3,620,377 A \* 11/1971 Holtz ..... A47F 5/13  
211/206  
3,705,731 A \* 12/1972 Berchak ..... B62B 3/02  
280/43  
D237,231 S \* 10/1975 Wells et al. .... D6/672  
4,054,209 A \* 10/1977 Solomon ..... A47F 7/24  
211/208  
D288,755 S \* 3/1987 Schoenig ..... D6/681.1  
D352,190 S \* 11/1994 Tucker ..... D6/682.2  
D367,375 S \* 2/1996 Vukelich, Sr. .... D6/675.2

**OTHER PUBLICATIONS**

Bofeng Metal Garment Rack, amazon.com, <https://www.amazon.com/Clothes-Garment-Bedroom-Clothing-Storage/dp/B07M8SM9JH?th=1> (Year: 2020).\*

*Primary Examiner* — Steven J Czyz

(74) *Attorney, Agent, or Firm* — Rumit Ranjit Kanakia

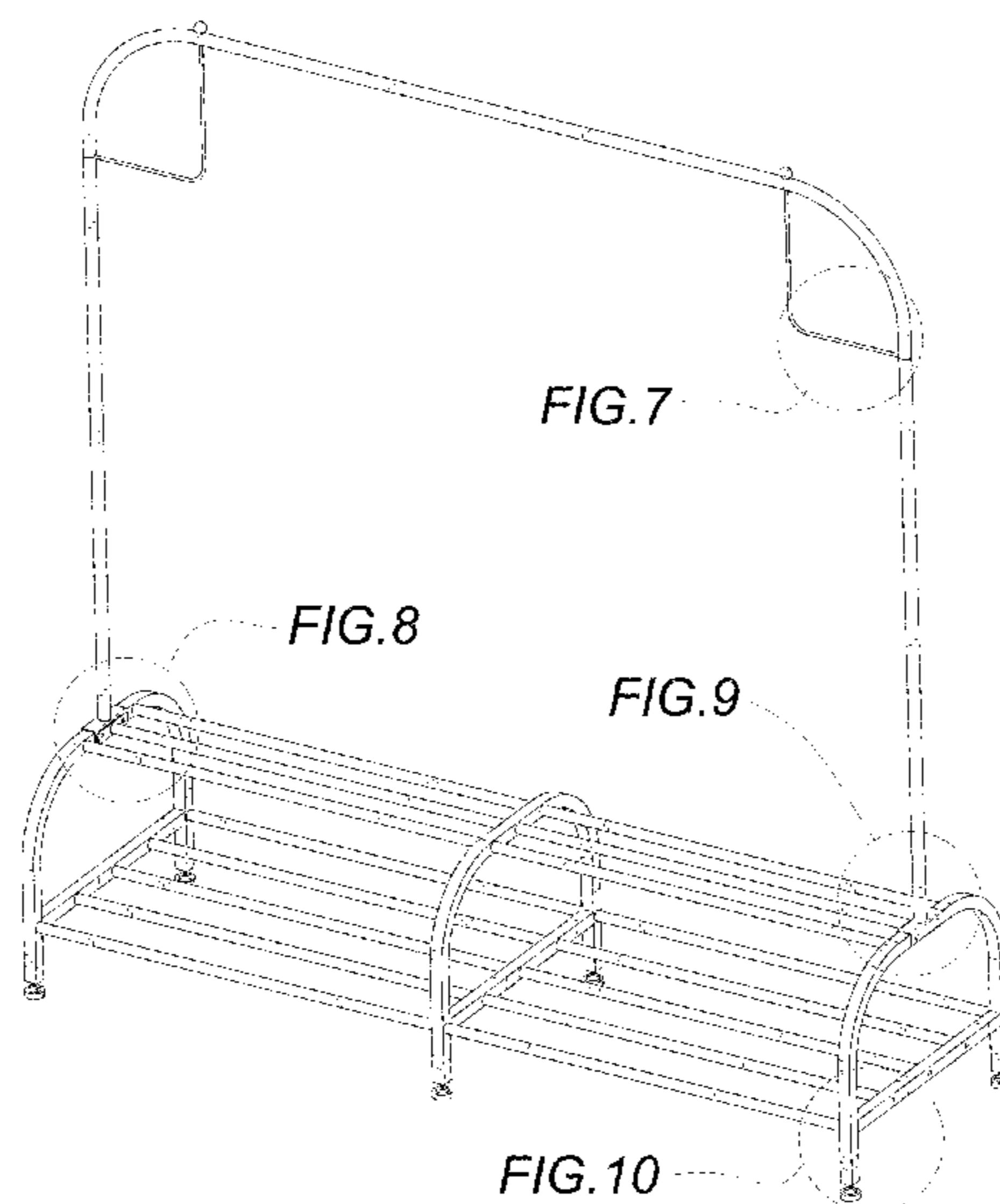
(57) **CLAIM**

The ornamental design for a clothes rack, as shown and described.

**DESCRIPTION**

FIG. 1 is a perspective view of a clothes rack showing my new design;  
FIG. 2 is another perspective view thereof;  
FIG. 3 is a front elevational view thereof, the rear elevational view is identical;  
FIG. 4 is a left side view thereof, the right side view is identical;  
FIG. 5 is a top plan view thereof;  
FIG. 6 is a bottom plan view thereof;  
FIG. 7 is a partial enlarged view of FIG. 1;  
FIG. 8 is a partial enlarged view of FIG. 1;  
FIG. 9 is a partial enlarged view of FIG. 1;  
FIG. 10 is a partial enlarged view of FIG. 1; and,  
FIG. 11 is a partial enlarged view of FIG. 2.  
The broken lines in the figures are for the purposes of illustrating portions of the clothes rack, which form no part of the claimed design.

**1 Claim, 10 Drawing Sheets**



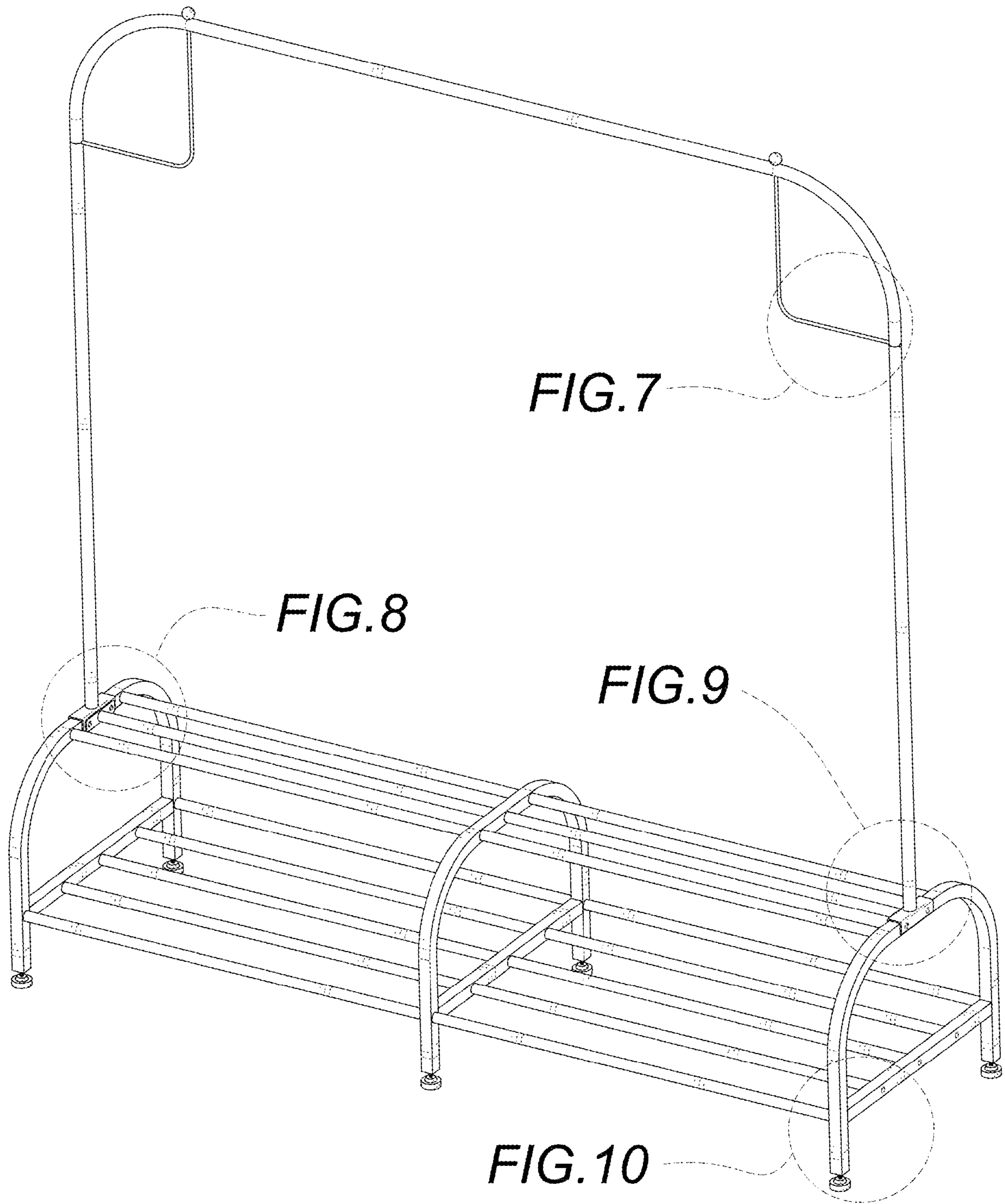
(56)

References Cited

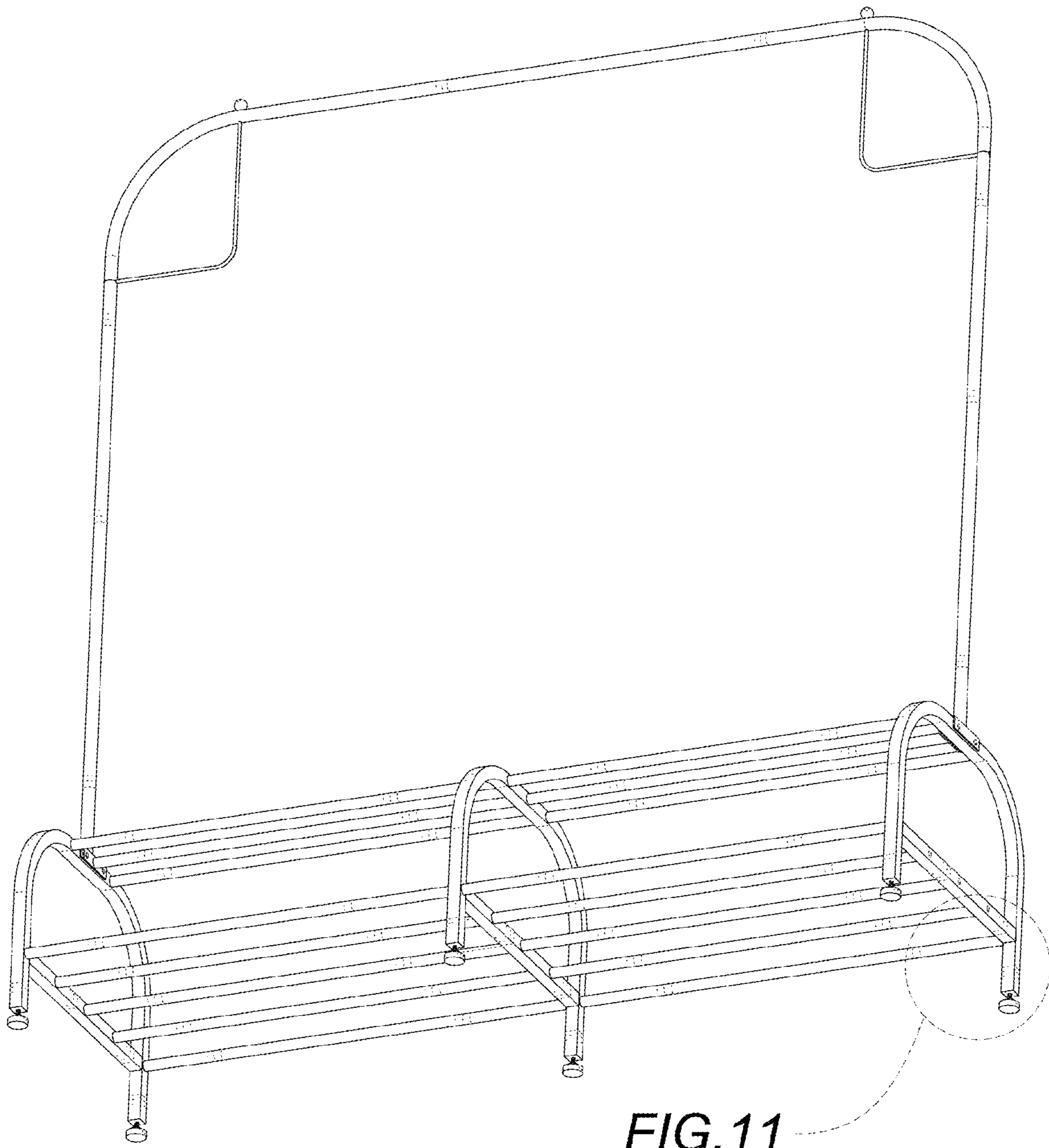
U.S. PATENT DOCUMENTS

D456,167 S *	4/2002	Harwanko	D6/548	D829,473 S *	10/2018	Mical	D6/681
6,401,948 B1 *	6/2002	Huang	A47F 7/24 211/206	10,264,878 B1 *	4/2019	Liu	A47G 25/0664
D462,539 S *	9/2002	Segall	D6/681.1	D853,762 S *	7/2019	Tucker	A47G 25/0685 D6/672
D466,331 S *	12/2002	Chang	D6/681.1	D860,689 S *	9/2019	Davis	D6/672
D469,975 S	2/2003	Sparkowski		D864,625 S *	10/2019	Rockwell	A47F 5/137 D6/675
D470,685 S *	2/2003	Chang	D6/681.1	D874,191 S *	2/2020	Qi	D6/664
D474,350 S *	5/2003	Sardis	D6/681.1	D885,806 S *	6/2020	Rockwell	A47F 5/13 D6/675
D476,167 S *	6/2003	Klein	D6/681.1	D887,188 S *	6/2020	Felsenthal	D6/681.2
6,644,484 B1 *	11/2003	Sardis	A47F 5/137 211/189	D889,171 S *	7/2020	Cao	D6/681.2
D487,124 S *	2/2004	Toniolo	D21/691	D895,331 S *	9/2020	Felsenthal	D6/678.4
D491,742 S *	6/2004	Harwanko	D6/681.1	D901,952 S *	11/2020	Tuang	D6/681
D495,523 S *	9/2004	Harwanko	D6/681.1	D909,104 S *	2/2021	Lai	D6/681.2
D495,524 S *	9/2004	Harwanko	D6/681.1	D910,351 S *	2/2021	Davis	D6/681.2
D515,844 S *	2/2006	Pryor	D6/681	D911,085 S *	2/2021	Song	D6/681.2
7,077,277 B2 *	7/2006	Wang	A47G 25/0664 403/65	D917,212 S *	4/2021	Du	D6/681.2
D532,623 S *	11/2006	Tsai	D6/675.5	D923,274 S *	6/2021	Cui	D32/58
D537,266 S *	2/2007	Ward	D6/681.1	D923,370 S *	6/2021	Davis	D6/675.3
D546,013 S *	7/2007	Pong	D32/58	D936,402 S *	11/2021	Huang	D6/681
D591,533 S *	5/2009	Karsson	D6/675.3	D941,619 S *	1/2022	Davis	A47G 25/0664 D6/675.3
D603,188 S *	11/2009	Wang	D6/675.5	D946,327 S *	3/2022	Felsenthal	D6/681.2
D613,965 S *	4/2010	Tertel	D6/675.5	D947,583 S *	4/2022	Li	D6/681.2
D617,576 S *	6/2010	Lin	D6/681.1	D955,145 S *	6/2022	Huang	D6/681
7,946,434 B1 *	5/2011	Greenspon	A47F 7/24 211/195	D956,458 S *	7/2022	Wang	D6/675.5
D677,932 S *	3/2013	Wang	D6/681.1	2006/0011674 A1 *	1/2006	Finch	A47F 7/24 223/120
8,936,166 B2 *	1/2015	Hornsby	A47G 25/0685 211/195	2006/0065615 A1 *	3/2006	Wang	A47F 7/24 211/206
D736,548 S *	8/2015	Hornsby	D6/681.1	2010/0294900 A1 *	11/2010	Maurer	A45F 3/44 248/419
D749,879 S *	2/2016	Wall	D6/680.3	2011/0114581 A1 *	5/2011	Greenspon	A47G 25/0685 211/85.3
D750,401 S *	3/2016	Ruiz	D6/681	2012/0074082 A1 *	3/2012	Hornsby	A47G 25/0685 211/85.3
D753,940 S *	4/2016	Ruiz	D6/681	2015/0008201 A1 *	1/2015	Qiang	D06F 57/06 211/199
9,364,104 B1 *	6/2016	Wood	A47G 25/06	2016/0015190 A1 *	1/2016	White	B62B 11/00 211/175
D777,483 S *	1/2017	Bittie	D6/681	2018/0160801 A1 *	6/2018	Felsenthal	F16B 7/042
D805,329 S *	12/2017	Rockwell	A47B 61/003 D6/675.3	2019/0223628 A1 *	7/2019	Hicks	A47B 47/0058
D808,203 S *	1/2018	Davis	G06K 7/1413 D6/675.3	2020/0288863 A1 *	9/2020	Felsenthal	A47B 61/003
D809,835 S *	2/2018	Greenspon	D6/681	2020/0401988 A1 *	12/2020	Brown	G06K 7/1413
D819,374 S *	6/2018	Kuehn	D6/681.2				
D825,959 S *	8/2018	Rockwell	A47G 25/06 D6/675.3				
D827,342 S *	9/2018	Stukenberg	D6/681				

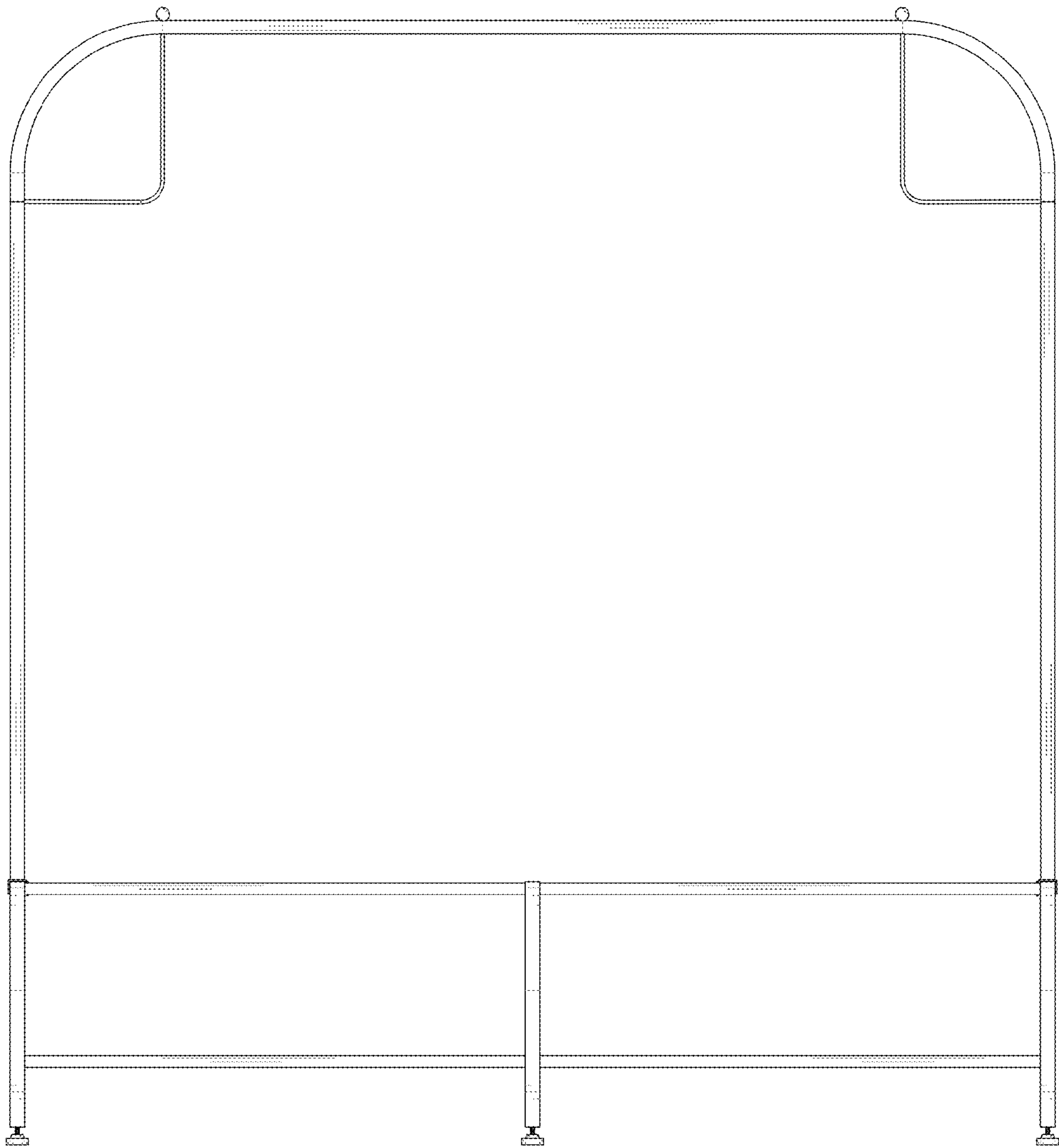
\* cited by examiner



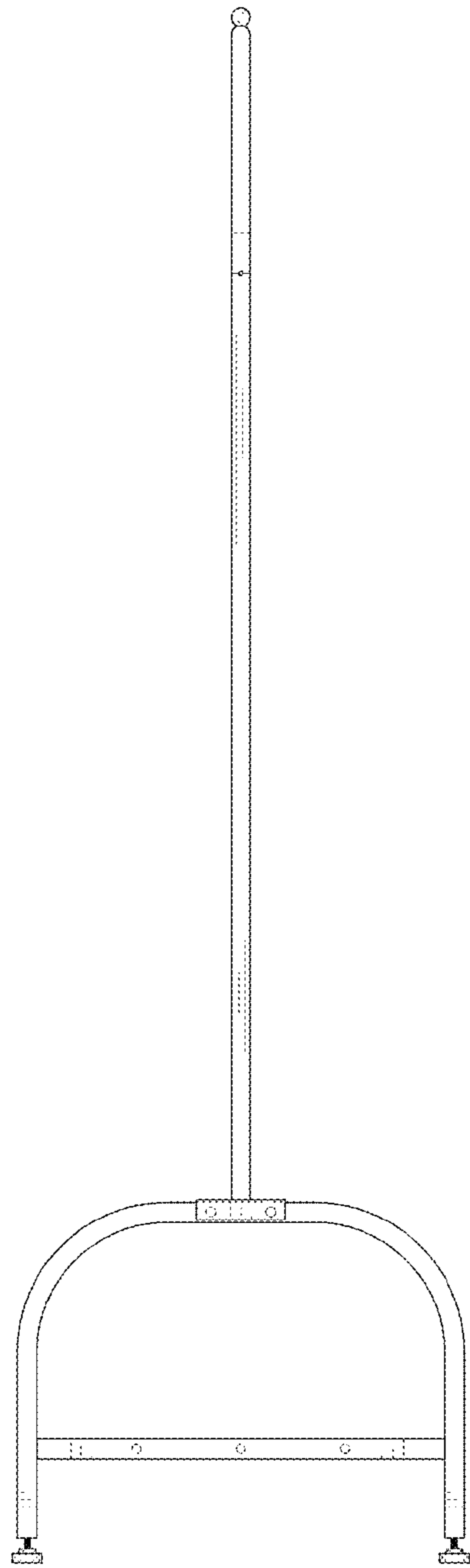
**FIG. 1**



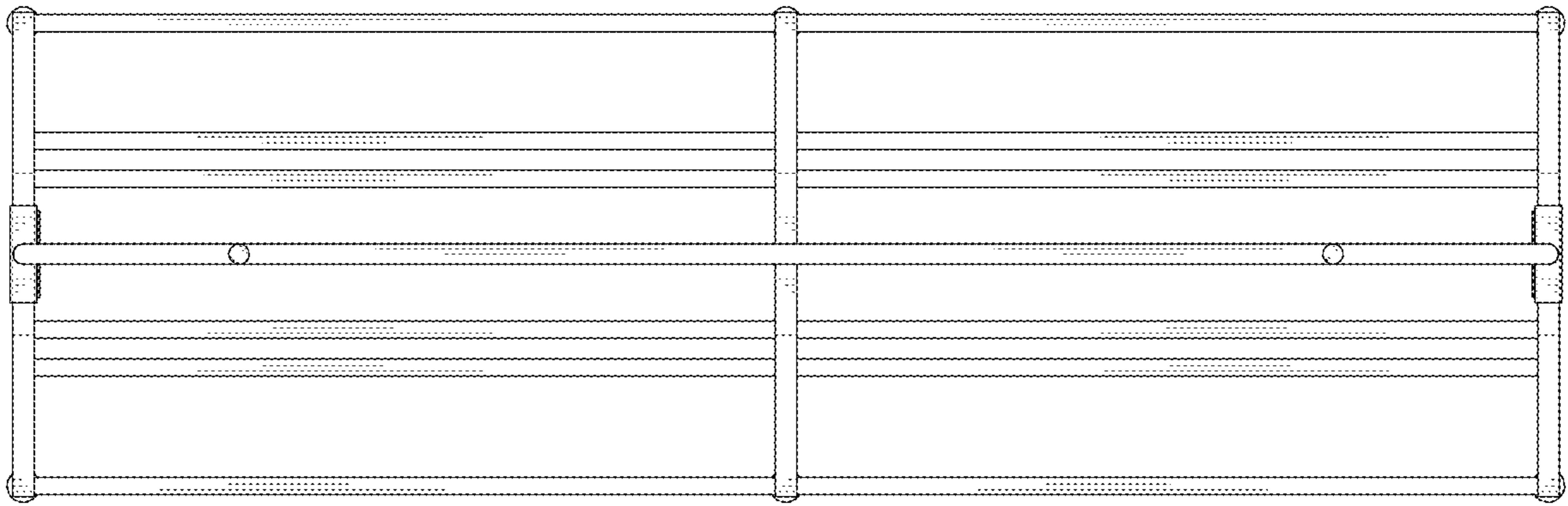
**FIG.2**



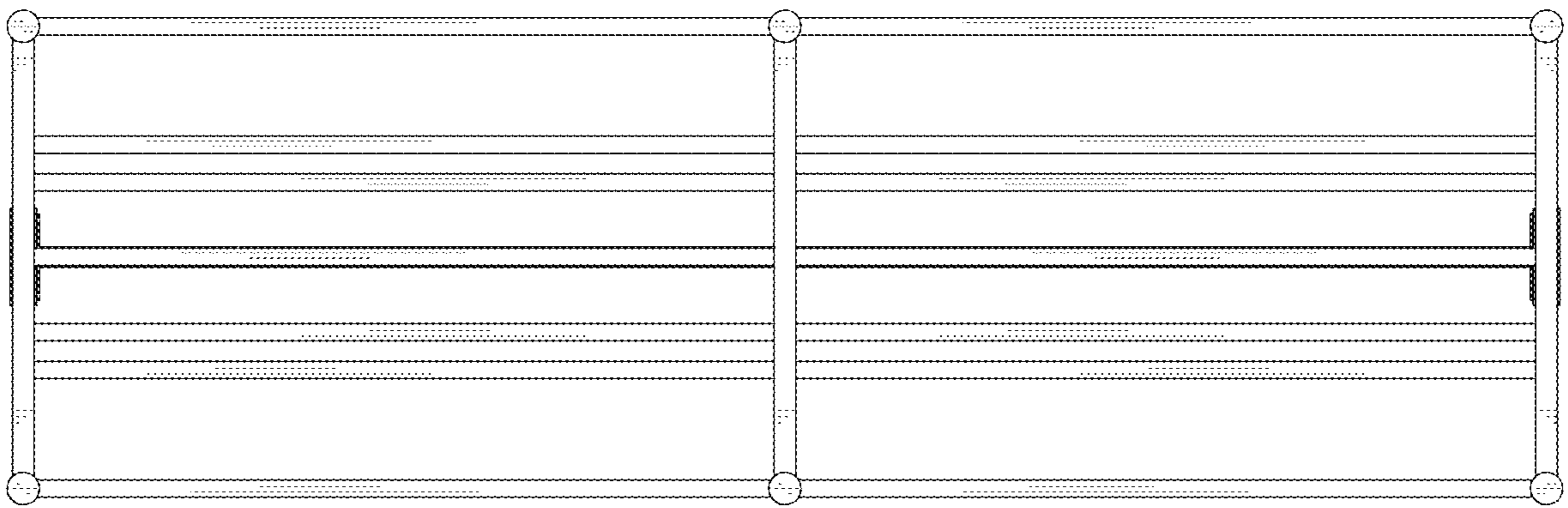
**FIG. 3**



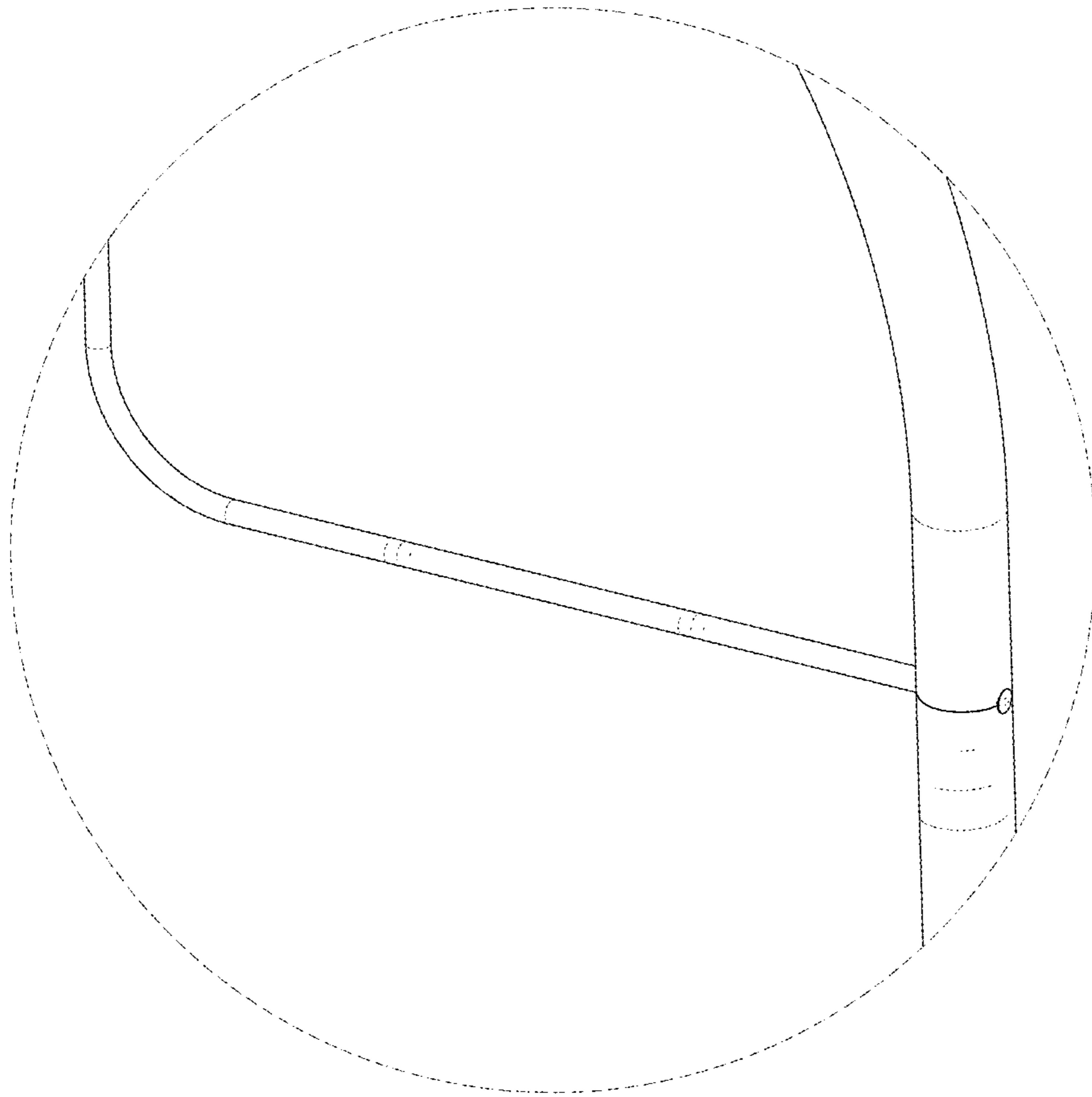
**FIG. 4**



**FIG. 5**

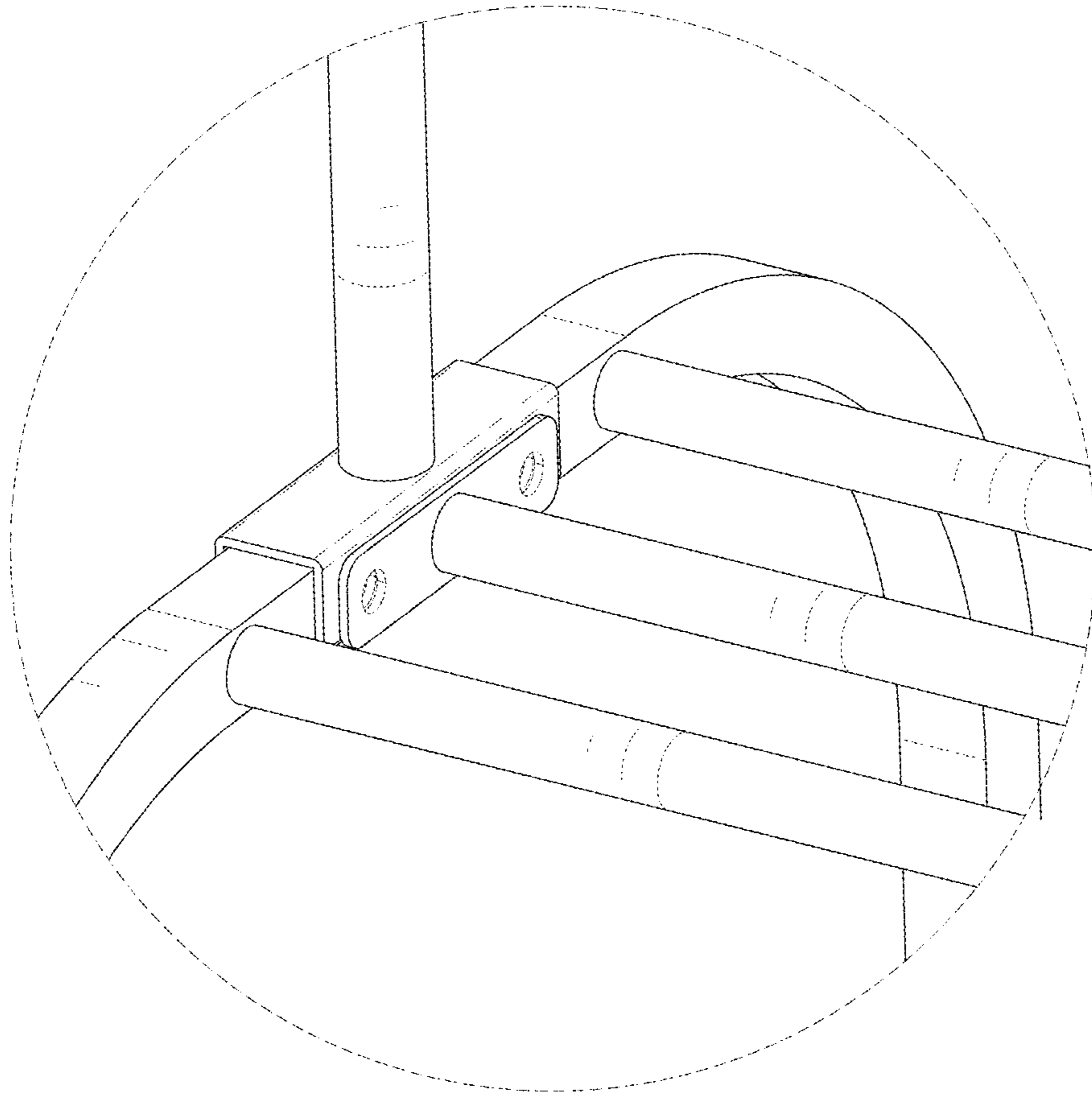


**FIG. 6**

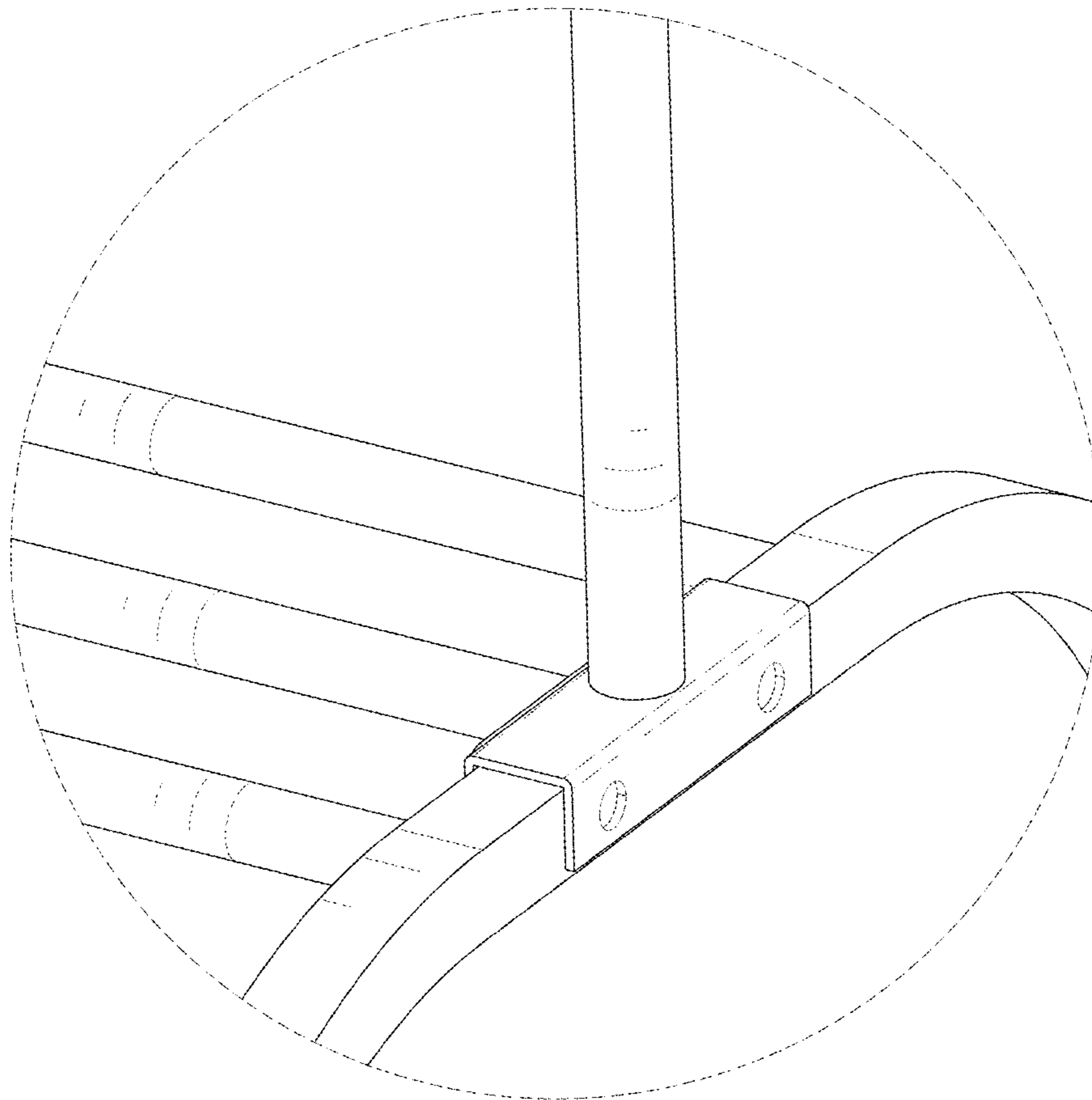


**FIG. 7**

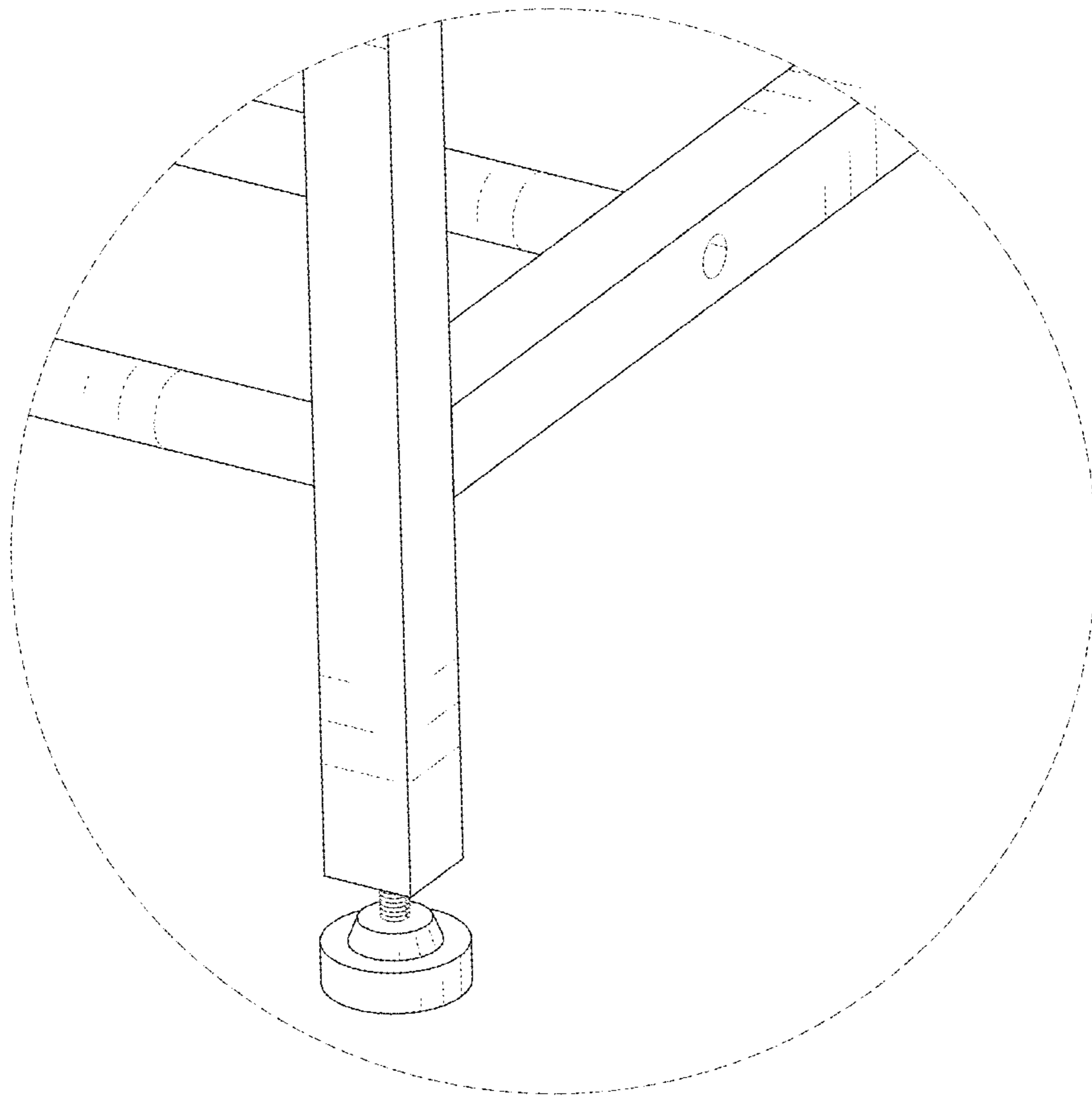




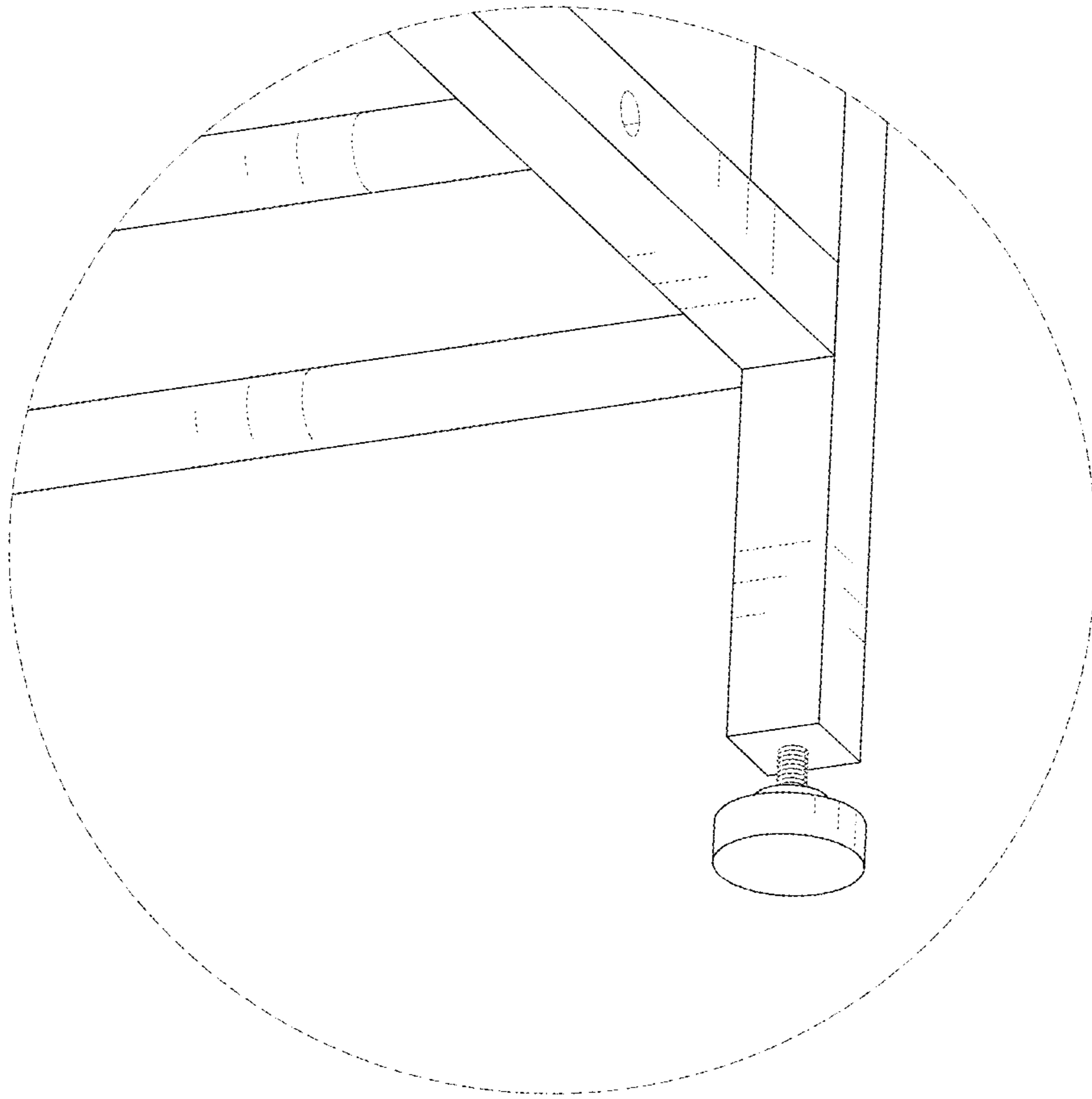
**FIG. 8**



**FIG. 9**



***FIG. 10***



***FIG. 11***