



US00D965355S

(12) **United States Design Patent** (10) **Patent No.:** **US D965,355 S**  
**Fink et al.** (45) **Date of Patent:** **\*\* Oct. 4, 2022**

(54) **COVER FOR COSMETIC PRODUCTS**

(71) Applicant: **WALGREEN CO.**, Deerfield, IL (US)

(72) Inventors: **Scott Fink**, Chicago, IL (US); **Nick Farinola**, Coppell, TX (US)

(73) Assignee: **WALGREEN CO.**, Deerfield, IL (US)

(\*\*) Term: **15 Years**

(21) Appl. No.: **29/728,454**

(22) Filed: **Mar. 18, 2020**

(51) **LOC (13) Cl.** ..... **20-02**

(52) **U.S. Cl.**  
USPC ..... **D6/672**

(58) **Field of Classification Search**  
USPC ..... D6/512, 513, 514, 553, 574, 672, 675,  
D6/681; D28/9, 99  
CPC ..... A47F 1/00; A47F 1/10; A47F 1/12  
See application file for complete search history.

(56) **References Cited**

**U.S. PATENT DOCUMENTS**

D305,586 S *	1/1990	Wombacher	.....	D6/512
D392,131 S *	3/1998	Flagg	.....	D6/513
D520,795 S *	5/2006	Kivett	.....	D6/574
7,150,365 B2	12/2006	Hardy et al.		
7,299,934 B2	11/2007	Hardy et al.		
7,451,881 B2	11/2008	Hardy et al.		
7,621,409 B2	11/2009	Hardy et al.		
7,661,545 B2	2/2010	Hardy et al.		
8,047,385 B2	11/2011	Hardy		
8,113,601 B2	2/2012	Hardy		
8,136,682 B2	3/2012	Hardy		
8,210,363 B2	7/2012	Hardy		
8,235,227 B2	8/2012	Hardy		
9,687,085 B2	6/2017	Hardy		
D833,174 S *	11/2018	Belokin	.....	D6/574
D878,114 S *	3/2020	Xu	.....	D6/672
D880,889 S *	4/2020	Yang	.....	D6/514

D891,157 S *	7/2020	Theisen	.....	D6/675
D914,405 S *	3/2021	Denby	.....	D6/672
D922,795 S *	6/2021	Hong	.....	D6/574
2013/0062295 A1 *	3/2013	Bird	.....	A47F 1/126 211/59.3
2018/0184814 A1 *	7/2018	Nagel	.....	A47F 5/16
2019/0019140 A1 *	1/2019	Costello	.....	H04W 4/35
2019/0239660 A1 *	8/2019	Smith	.....	G02B 6/0095
2020/0187675 A1 *	6/2020	Obitts	.....	A47B 57/04

\* cited by examiner

*Primary Examiner* — Alison M Ofstun

(74) *Attorney, Agent, or Firm* — Marshall, Gerstein & Borun LLP; Randall G. Rueth

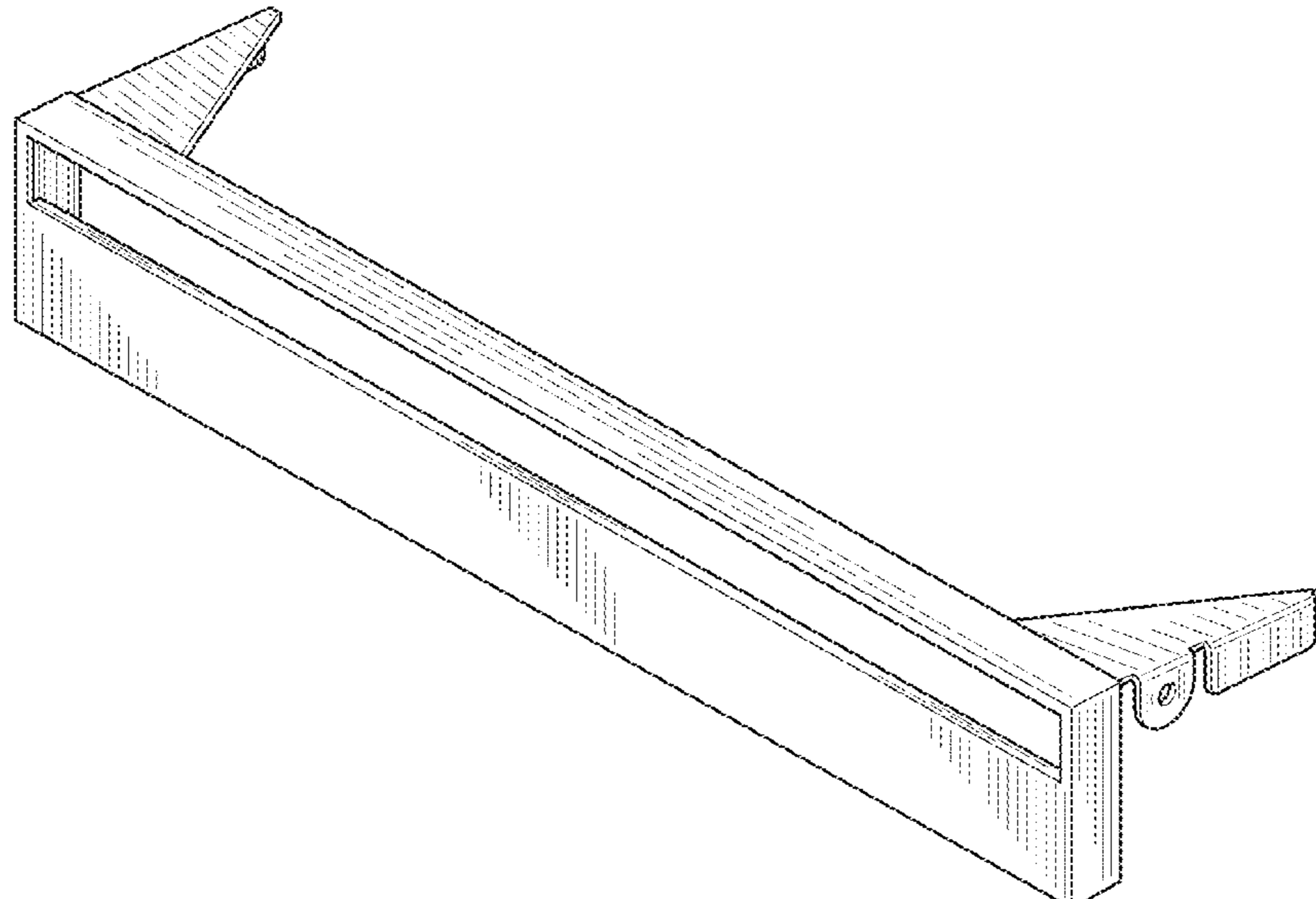
(57) **CLAIM**

The ornamental design for a cover for cosmetic products, as shown and described.

**DESCRIPTION**

FIG. 1 is a front perspective view of a first embodiment of a cover for cosmetic products, showing our new design; FIG. 2 is a front view thereof; FIG. 3 is a rear view thereof; FIG. 4 is a top plan view thereof; FIG. 5 is a bottom plan view thereof; FIG. 6 is a right side view thereof; FIG. 7 is a left side view thereof; FIG. 8 is a front perspective view of a second embodiment of a cover for cosmetic products, showing our new design; FIG. 9 is a front view thereof; FIG. 10 is a rear view thereof; FIG. 11 is a top plan view thereof; FIG. 12 is a bottom plan view thereof; FIG. 13 is a right side view thereof; and, FIG. 14 is a left side view thereof. The broken lines in the drawings illustrate portions of the cover for cosmetic products and form no part of the claimed design.

**1 Claim, 8 Drawing Sheets**



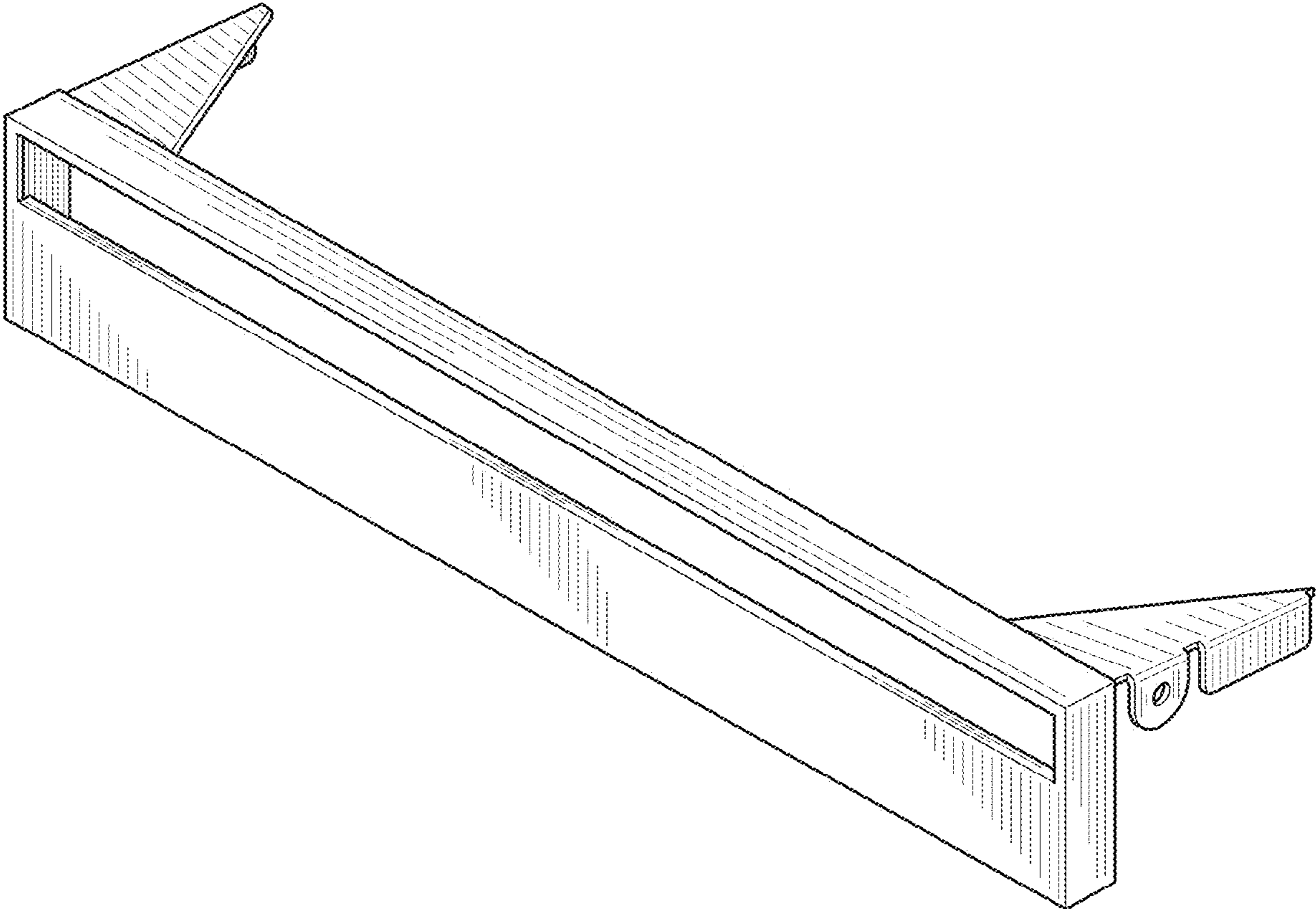


FIG. 1

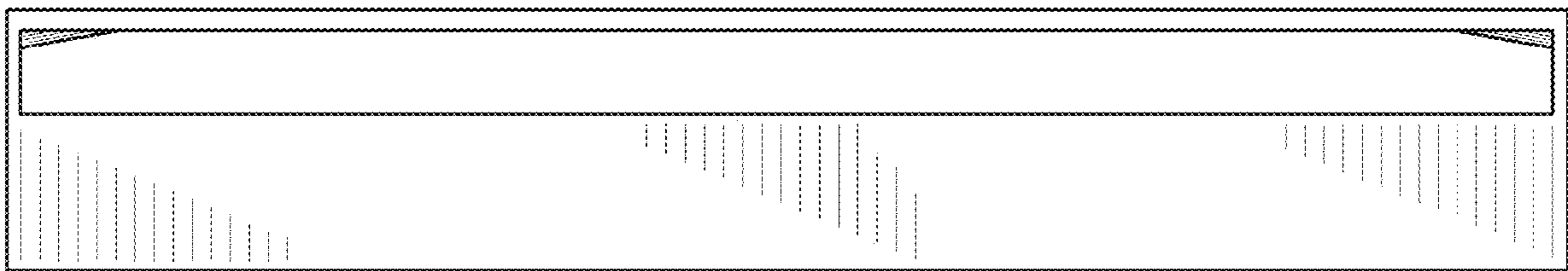


FIG. 2

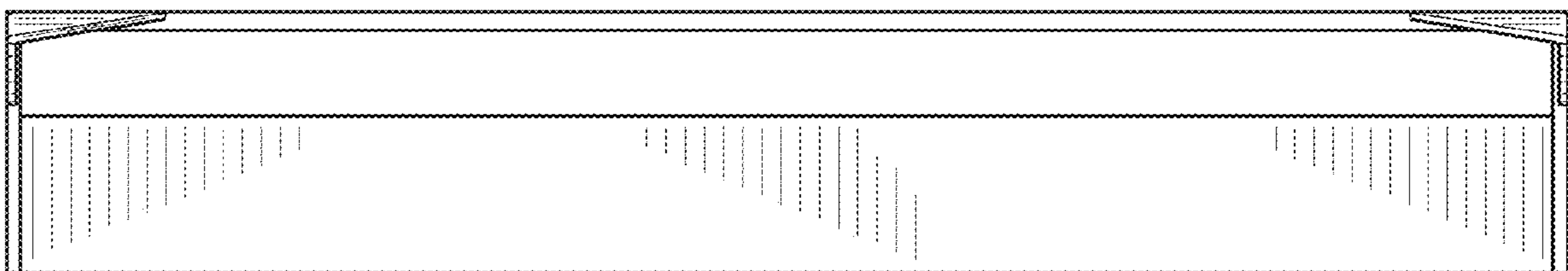


FIG. 3



FIG. 4



FIG. 5

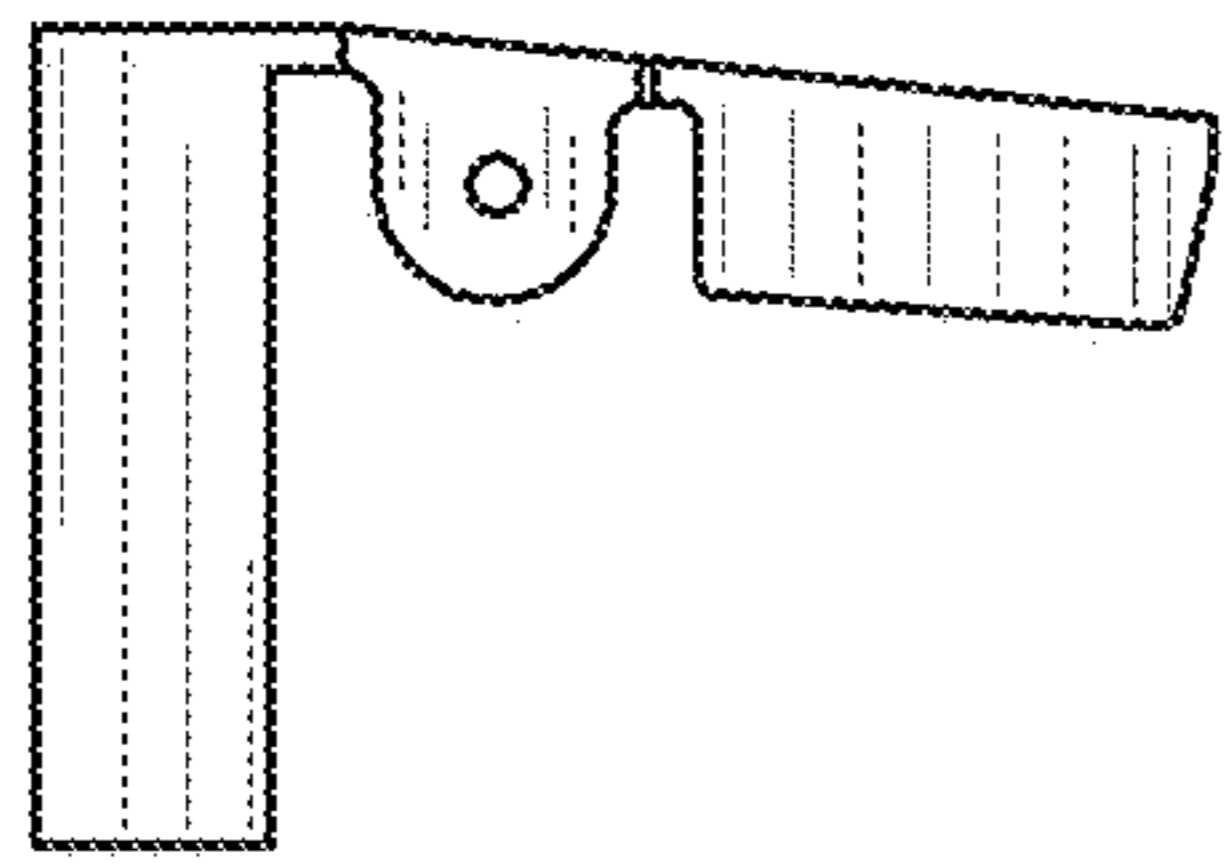


FIG. 6

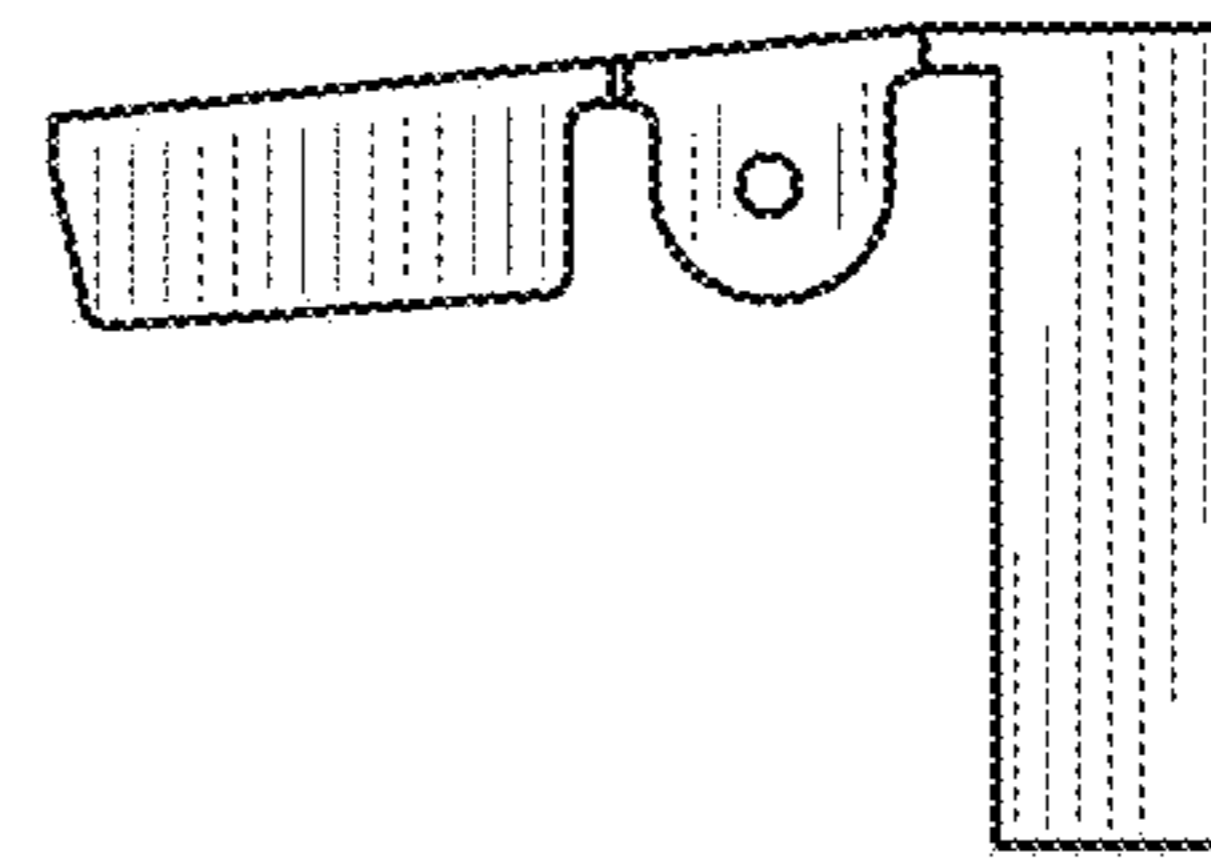


FIG. 7

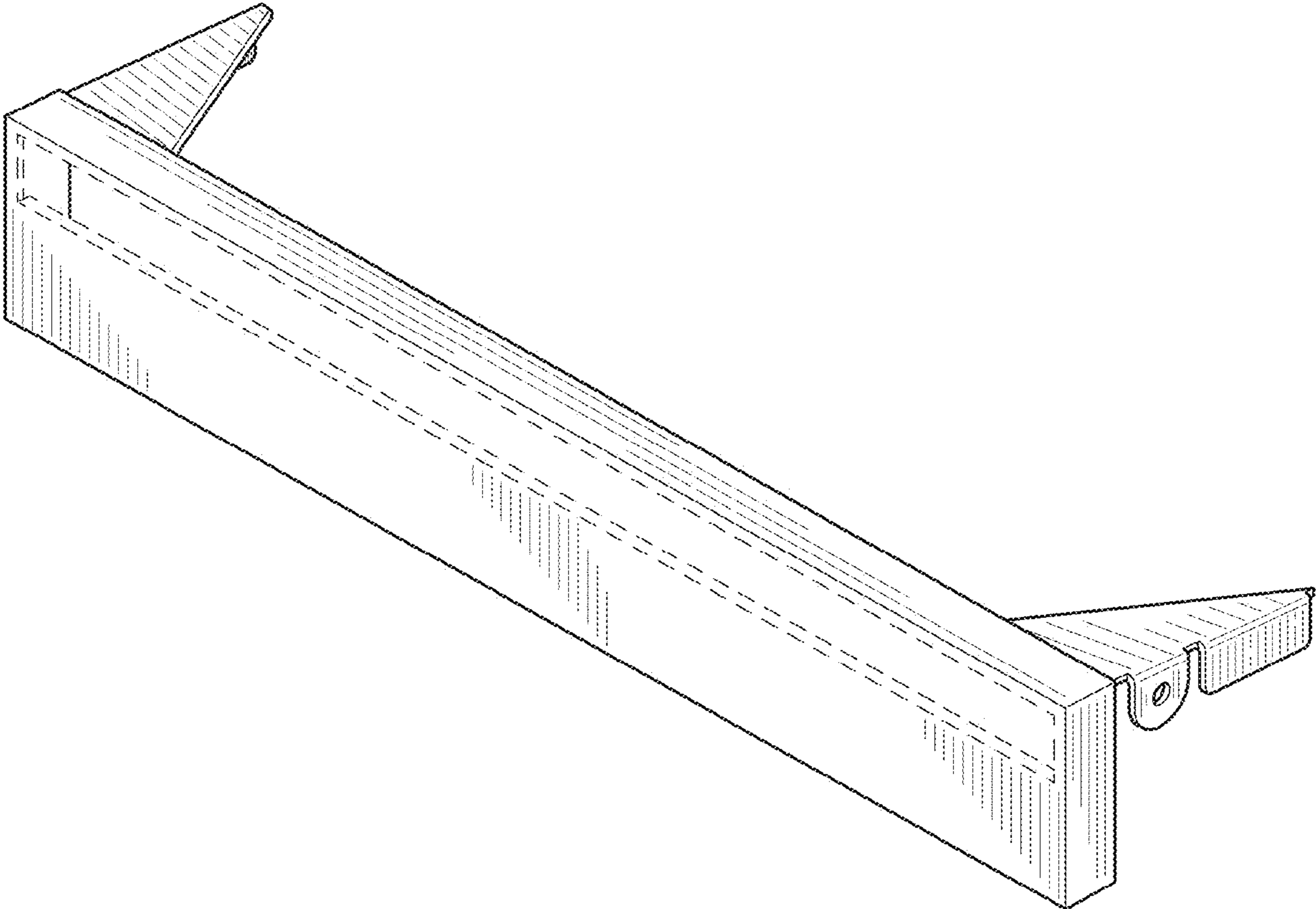


FIG. 8



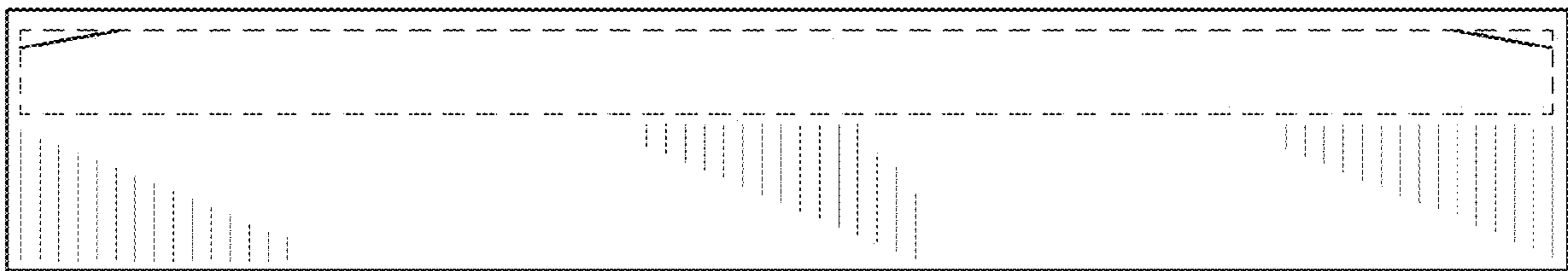


FIG. 9

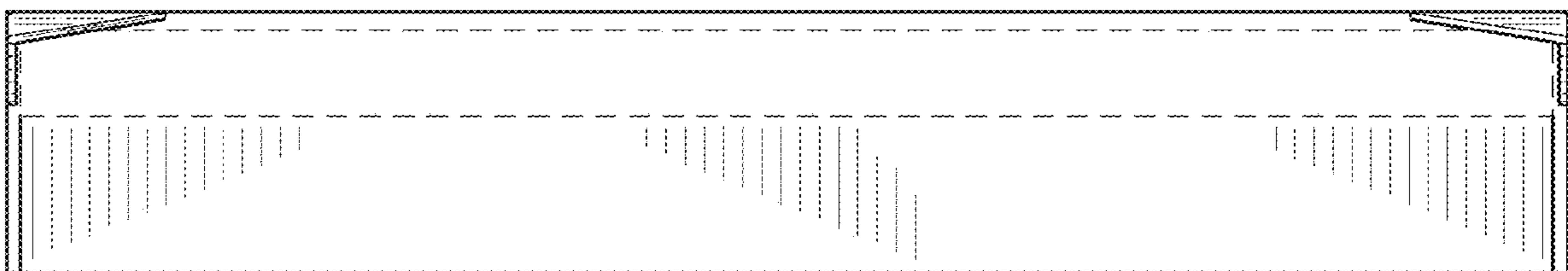


FIG. 10



FIG. 11



FIG. 12



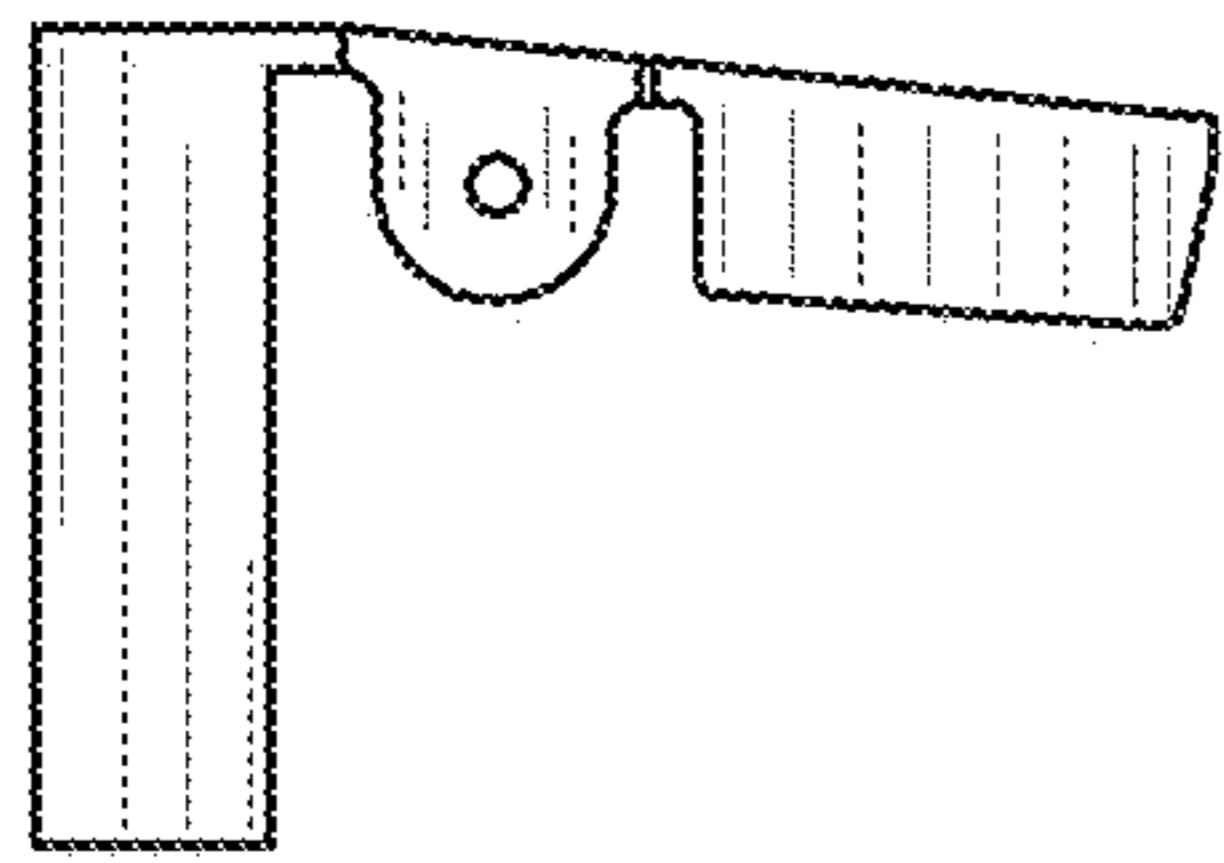


FIG. 13

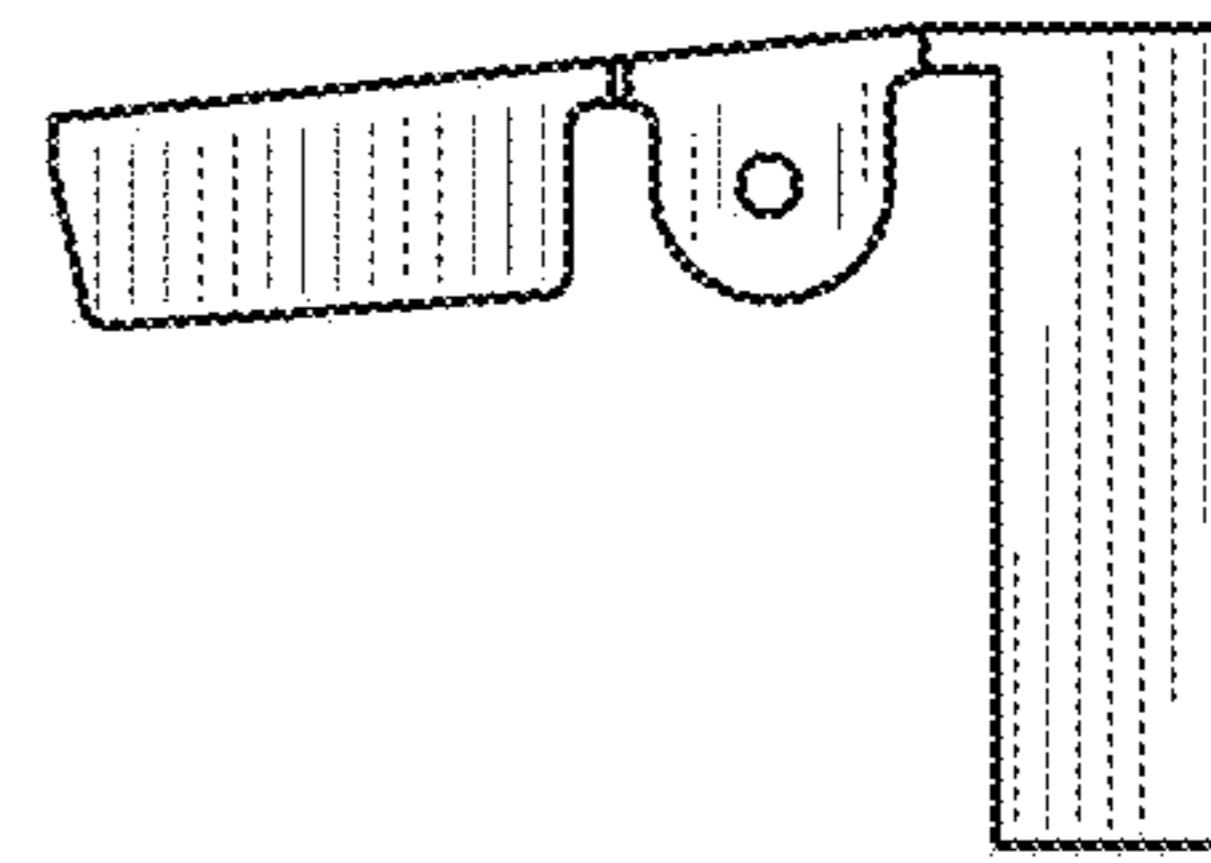


FIG. 14