



US00D965349S

(12) **United States Design Patent** (10) **Patent No.:** **US D965,349 S**  
**Cheng et al.** (45) **Date of Patent:** **\*\* Oct. 4, 2022**

(54) **HEIGHT ADJUSTABLE DESK**  
(71) Applicant: **SHENZHEN BESTQI INNOVATION TECHNOLOGY CO., LTD**, Shenzhen (CN)

(72) Inventors: **Bo Cheng**, Shenzhen (CN); **Yingpeng Li**, Shenzhen (CN)

(73) Assignee: **SHENZHEN BESTQI INNOVATION TECHNOLOGY CO., LTD**, Shenzhen (CN)

(\*\*) Term: **15 Years**

(21) Appl. No.: **29/818,967**

(22) Filed: **Dec. 13, 2021**

(51) **LOC (13) Cl.** ..... **06-03**

(52) **U.S. Cl.**  
USPC ..... **D6/656.17**

(58) **Field of Classification Search**  
USPC ..... D6/641, 642, 648.4, 655, 656, 656.1, D6/656.11, 656.12, 656.13, 656.14, D6/656.15, 656.16, 656.17, 656.18, D6/656.19, 688.14, 688.15, 691, 691.1, D6/691.5, 691.6, 691.7, 697, 705  
CPC ... A47B 9/20; A47B 21/02; A47B 2200/0056; A47B 9/00; A47B 2200/0062; A47B 2200/0057

See application file for complete search history.

(56) **References Cited**

**U.S. PATENT DOCUMENTS**

D299,798 S *	2/1989	Sottsas	.....	D6/656.16
D794,359 S *	8/2017	Yamamoto	.....	D6/656
D847,541 S *	5/2019	Yamamoto	.....	D6/656
D861,382 S *	10/2019	Hu	.....	D6/656.11
D862,937 S *	10/2019	Störiko	.....	D6/691.5
D875,442 S *	2/2020	Duan	.....	D6/656.16
D877,544 S *	3/2020	Hu	.....	D6/656.16
D878,813 S	3/2020	Knapp et al.		

D879,514 S *	3/2020	Goldberg	.....	D6/656.16
D879,515 S *	3/2020	Goldberg	.....	D6/656.16
D889,885 S	7/2020	Johnson et al.		
D901,946 S *	11/2020	Egger	.....	D6/656.17
D908,402 S *	1/2021	Jenkins	.....	D6/691.5
D916,533 S *	4/2021	Huang	.....	D6/656.16
D917,935 S *	5/2021	Huang	.....	D6/656.17

(Continued)

**OTHER PUBLICATIONS**

“SHW Electric Height adjustable Mobile Rolling Standing Desk.” Found online Aug. 13, 2022 at [www.amazon.com](http://www.amazon.com). Product first available Mar. 20, 2020. Retrieved from URL: <https://www.amazon.com/SHW-Electric-Height-Adjustable-Computer/dp/B08668Y49C> (Year: 2020).\*

(Continued)

*Primary Examiner* — Mary Ann Calabrese

*Assistant Examiner* — Katelin G Kloberg

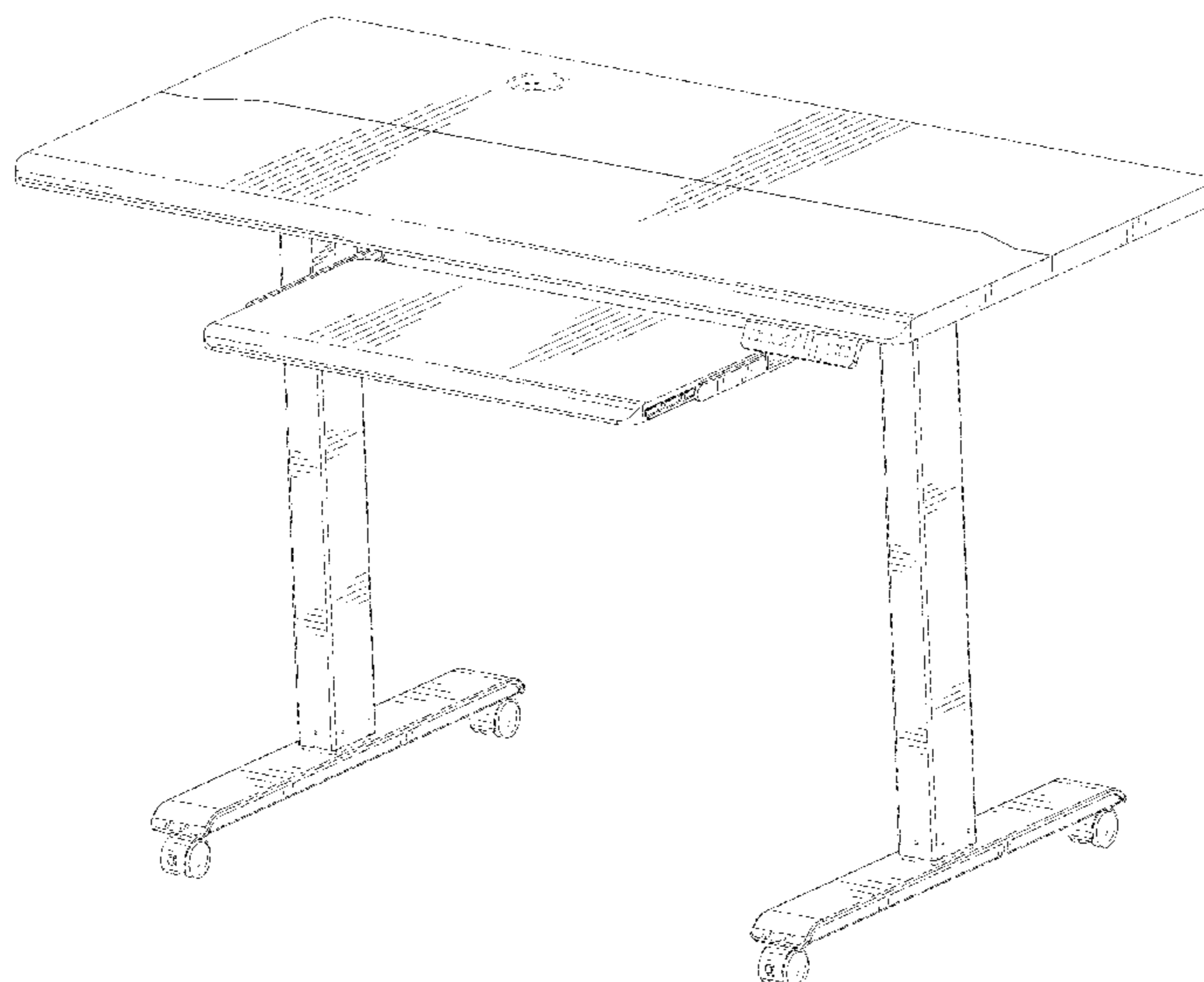
(57) **CLAIM**

The ornamental design for a height adjustable desk, as shown and described.

**DESCRIPTION**

FIG. 1 is a top perspective view of a height adjustable desk, showing our new design;  
FIG. 2 is a bottom perspective view thereof;  
FIG. 3 is a front elevational view thereof;  
FIG. 4 is a rear elevational view thereof;  
FIG. 5 is a left side elevational view thereof;  
FIG. 6 is a right side elevational view thereof;  
FIG. 7 is a top plan view thereof;  
FIG. 8 is a bottom plan view thereof; and,  
FIG. 9 is a top perspective view, showing the height adjustable desk in an alternate configuration of use.  
The broken lines in the drawings depict portions of the height adjustable desk that form no part of the claimed design.

**1 Claim, 9 Drawing Sheets**



(56)

References Cited

U.S. PATENT DOCUMENTS

D922,104 S \* 6/2021 Liu ..... D6/656.17  
 D924,602 S \* 7/2021 Wang ..... D6/656.19  
 11,051,611 B2 \* 7/2021 Goldberg ..... A47B 3/08  
 D926,498 S \* 8/2021 Hu ..... D6/656.16  
 D931,660 S \* 9/2021 Hu ..... D6/656.16  
 D931,661 S \* 9/2021 Hu ..... D6/656.17  
 11,206,921 B1 \* 12/2021 Lin ..... A47B 9/06  
 D942,188 S \* 2/2022 Hu ..... D6/656.17  
 11,239,646 B1 \* 2/2022 Chen ..... A47B 9/00  
 D947,579 S \* 4/2022 Chen ..... D6/656.16  
 D950,986 S \* 5/2022 Hu ..... D6/656.16  
 2017/0290415 A1 \* 10/2017 Hsu ..... A47B 21/00  
 2019/0029413 A1 \* 1/2019 Patton ..... A47B 3/06  
 2019/0059573 A1 \* 2/2019 Tseng ..... A47B 9/04  
 2019/0246789 A1 \* 8/2019 Chen ..... A47B 21/02  
 2020/0154881 A1 \* 5/2020 Applegate ..... A47B 3/0815  
 2020/0229588 A1 \* 7/2020 Chen ..... A47B 9/04  
 2020/0329861 A1 \* 10/2020 Zhang ..... A47C 7/72  
 2020/0352320 A1 \* 11/2020 Jacobs ..... A47B 21/02  
 2020/0359785 A1 \* 11/2020 Lu ..... A47B 9/00  
 2021/0030146 A1 \* 2/2021 Riebner ..... A47B 9/00  
 2021/0052064 A1 \* 2/2021 Miller ..... A47B 9/00

2021/0100354 A1 \* 4/2021 Møller ..... A47B 9/20  
 2021/0145163 A1 \* 5/2021 Lin ..... A47B 9/04  
 2021/0145164 A1 \* 5/2021 Lu ..... A47B 9/16  
 2021/0177137 A1 \* 6/2021 Lindner ..... F16B 12/10  
 2021/0378397 A1 \* 12/2021 Anderson ..... A47B 21/02  
 2022/0031062 A1 \* 2/2022 Albert ..... A47B 9/20

OTHER PUBLICATIONS

“FEZIBO Dual Motor Height Adjustable Electric Standing Desk.” Found online Aug. 13, 2022 at [www.amazon.com](https://www.amazon.com/FEZIBO-Height-Adjustable-Electric-Standing/dp/B08B4KFDC7). Product first available Jun. 12, 2020. Retrieved from URL: <https://www.amazon.com/FEZIBO-Height-Adjustable-Electric-Standing/dp/B08B4KFDC7> (Year: 2020).\*

“COMHOMA Electric Standing Desk.” Found online Aug. 13, 2022 at [www.amazon.com](https://www.amazon.com/COMHOMA-Adjustable-Electric-Standing-Computer/dp/B091676T89). Product first available Mar. 31, 2021. Retrieved from URL: <https://www.amazon.com/COMHOMA-Adjustable-Electric-Standing-Computer/dp/B091676T89> (Year: 2021).\*

“Tangkula Standing Desk.” Found online Aug. 13, 2022 at [www.amazon.com](https://www.amazon.com/Tangkula-Adjustable-Anti-Collision-Technology-Workstation/dp/B09N9FBRJY). Product first available Dec. 8, 2021. Retrieved from URL: <https://www.amazon.com/Tangkula-Adjustable-Anti-Collision-Technology-Workstation/dp/B09N9FBRJY> (Year: 2021).\*

\* cited by examiner

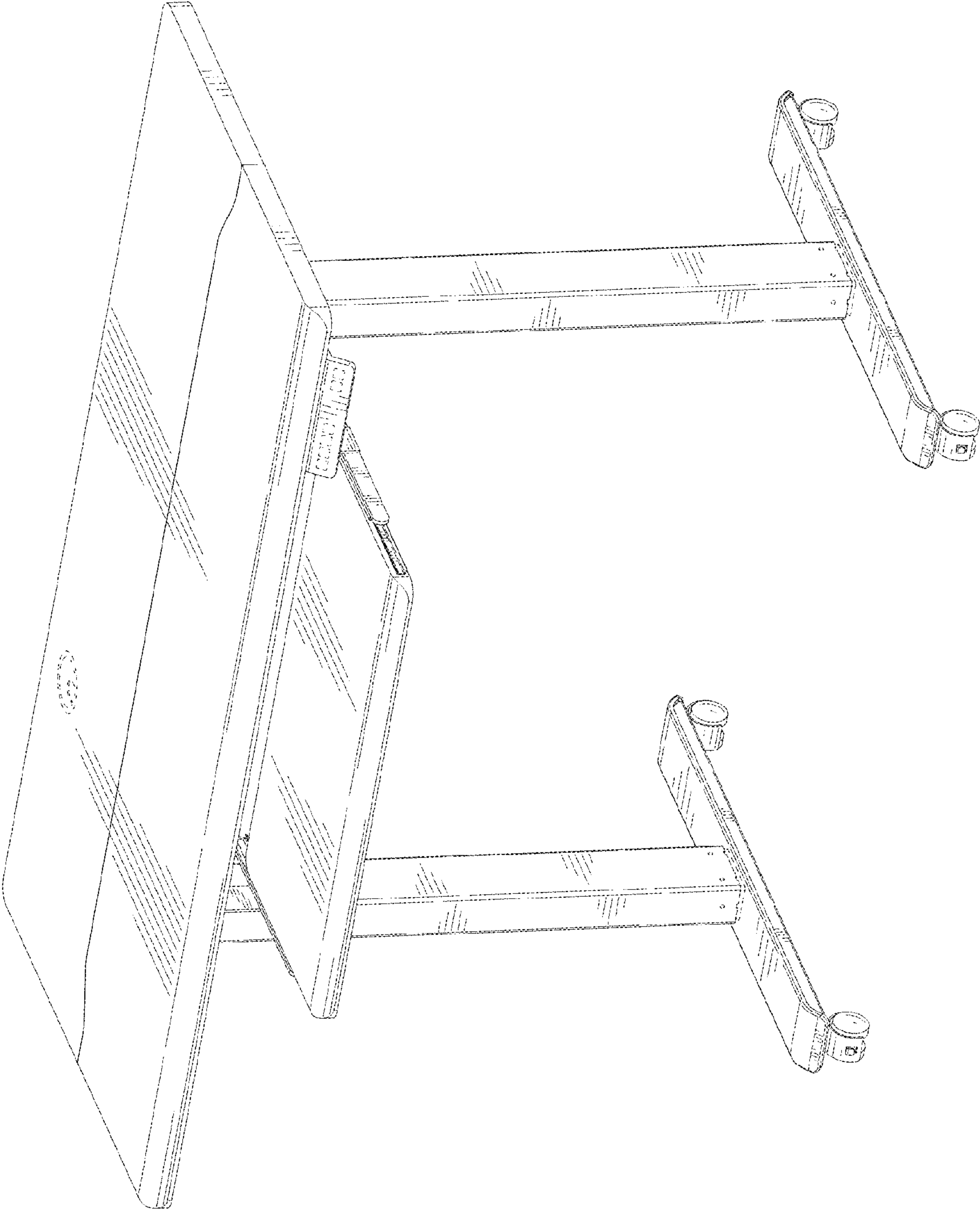


FIG. 1

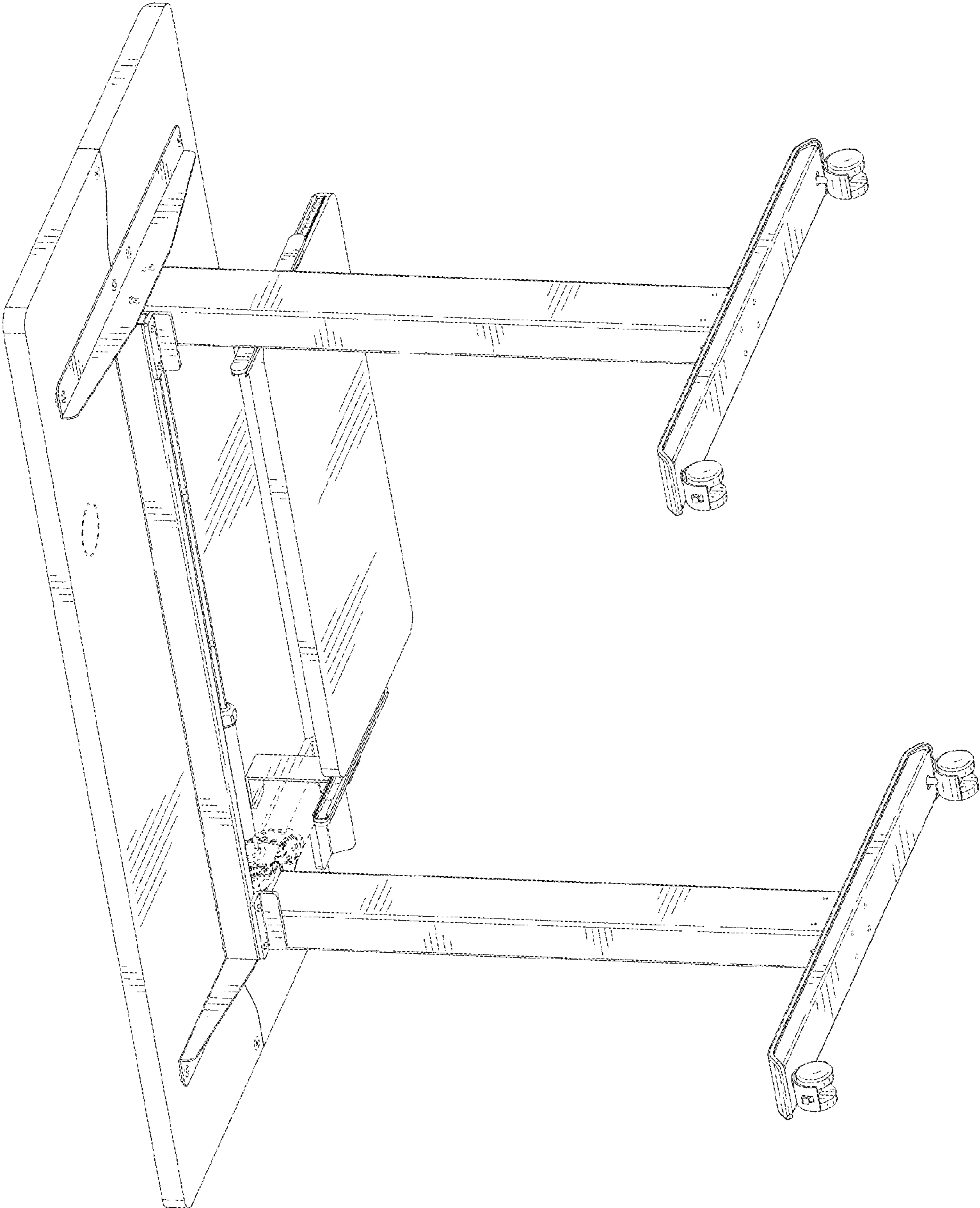


FIG. 2

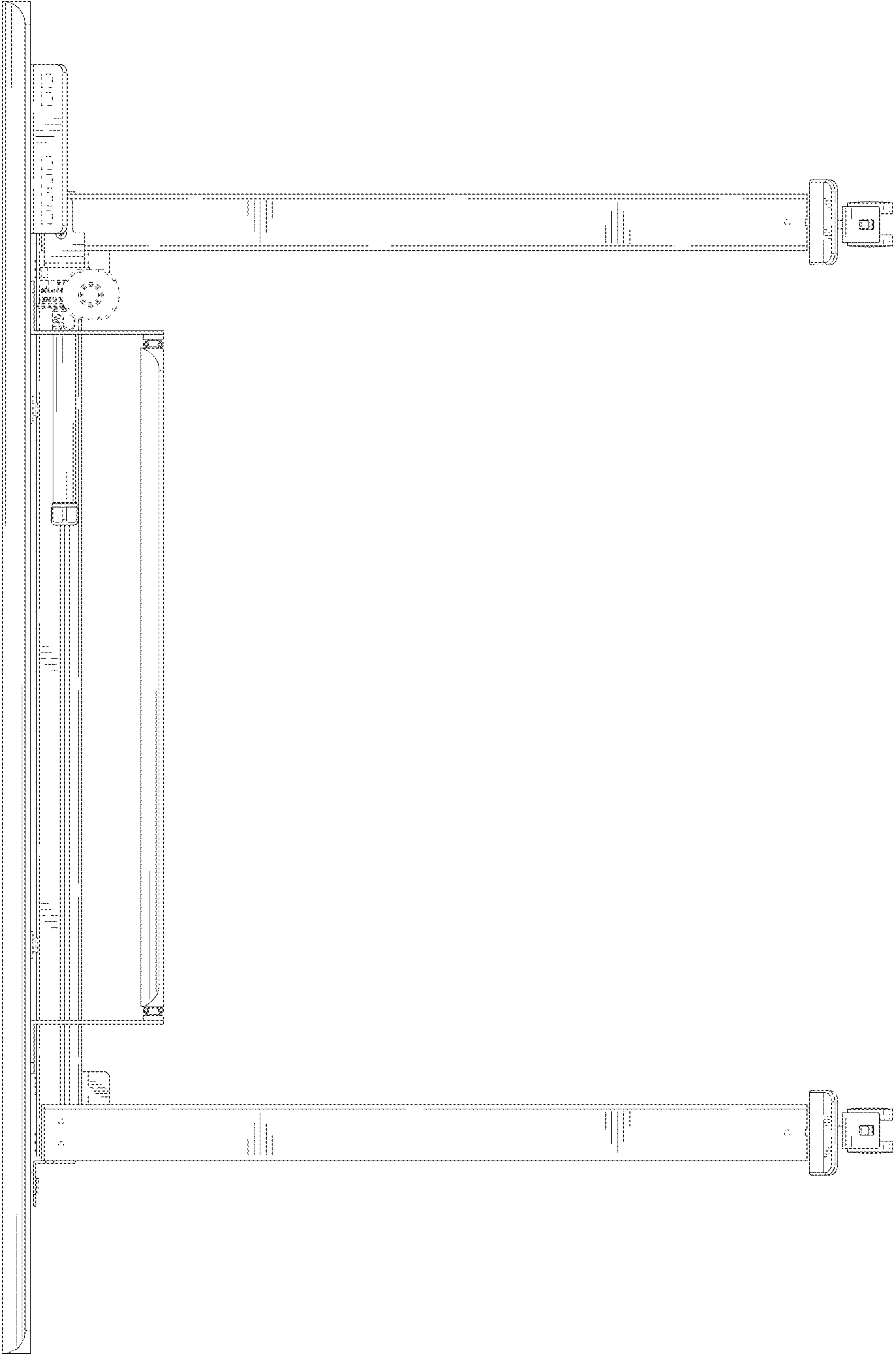


FIG. 3

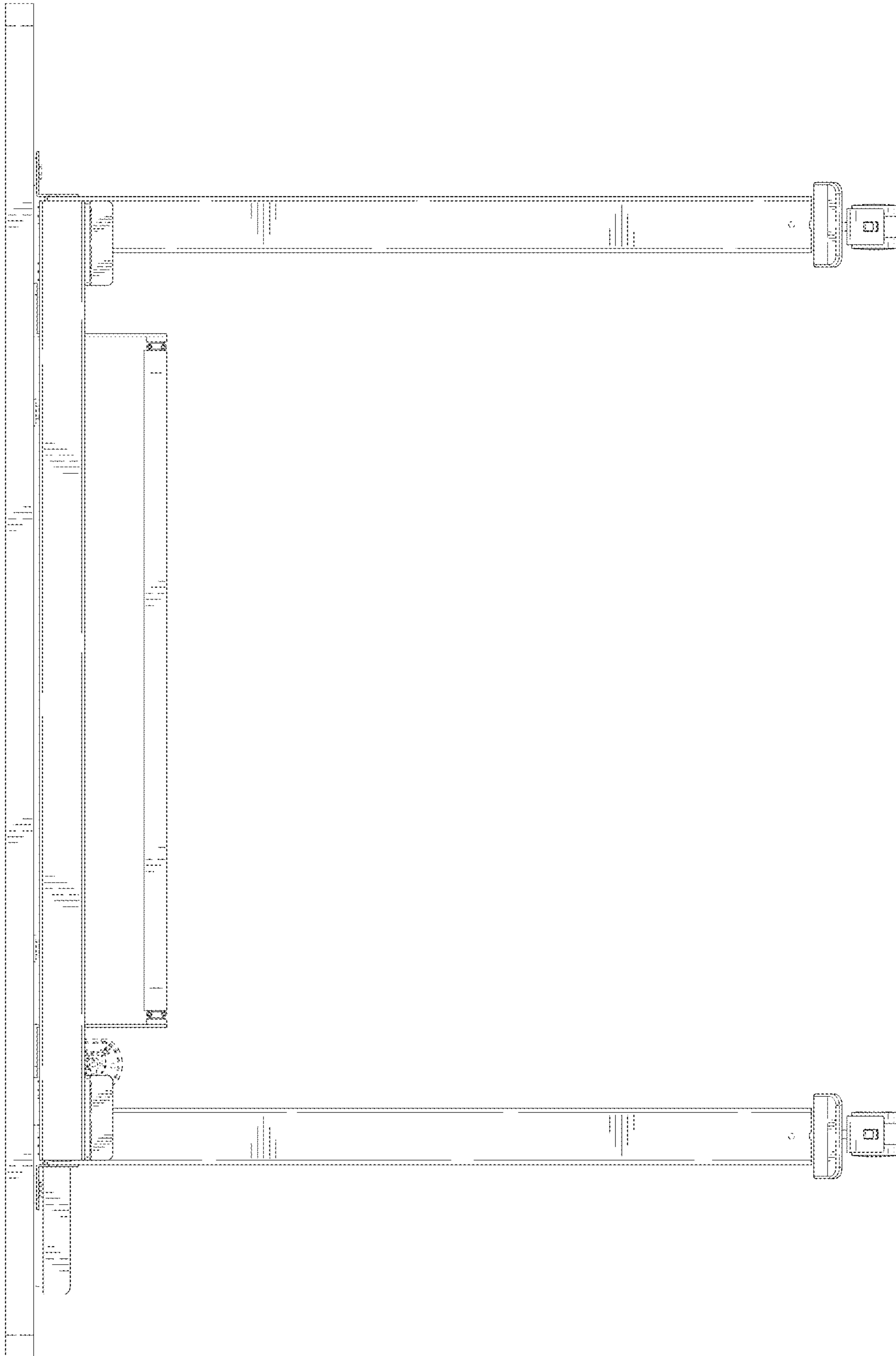


FIG. 4

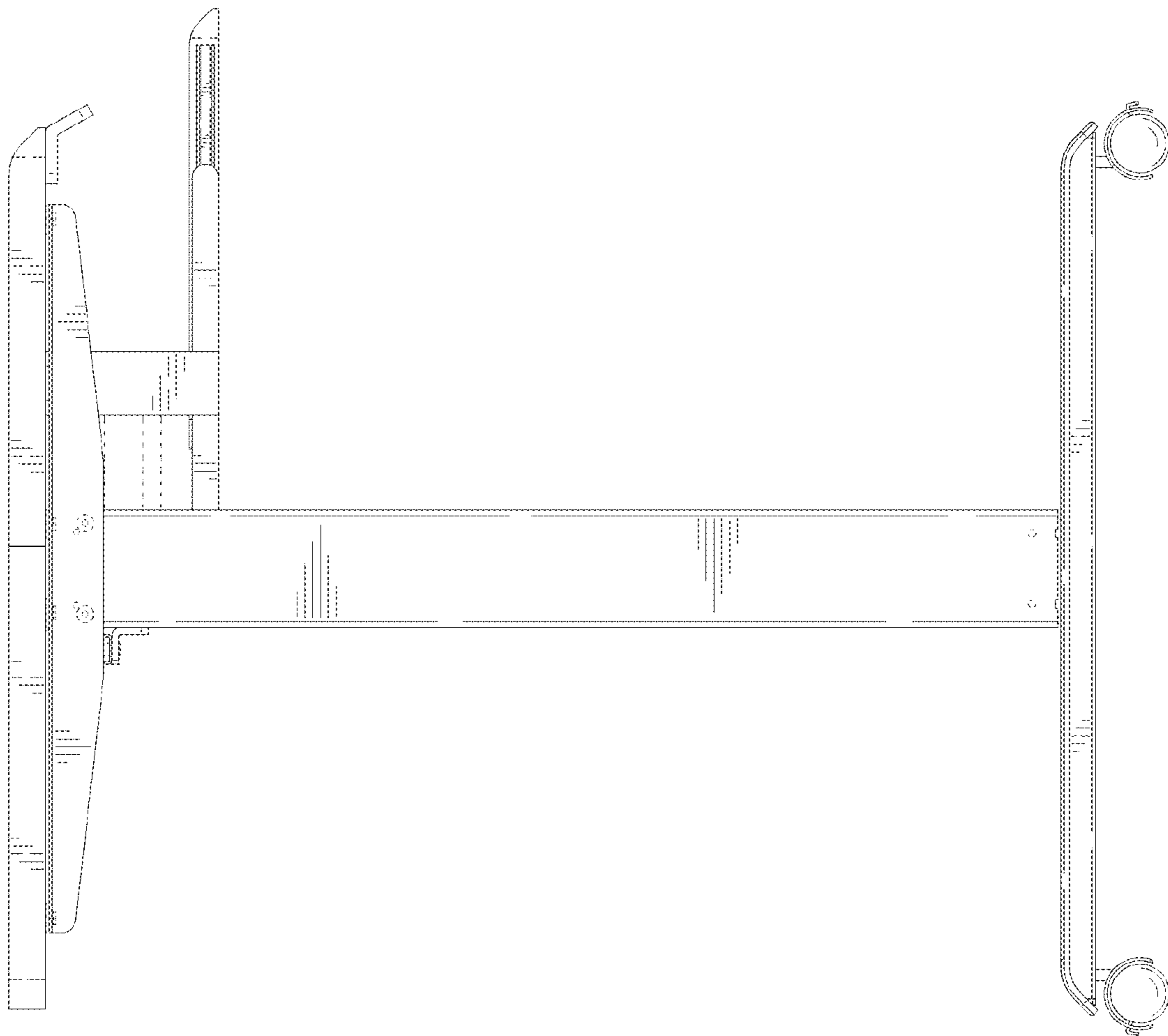


FIG. 5

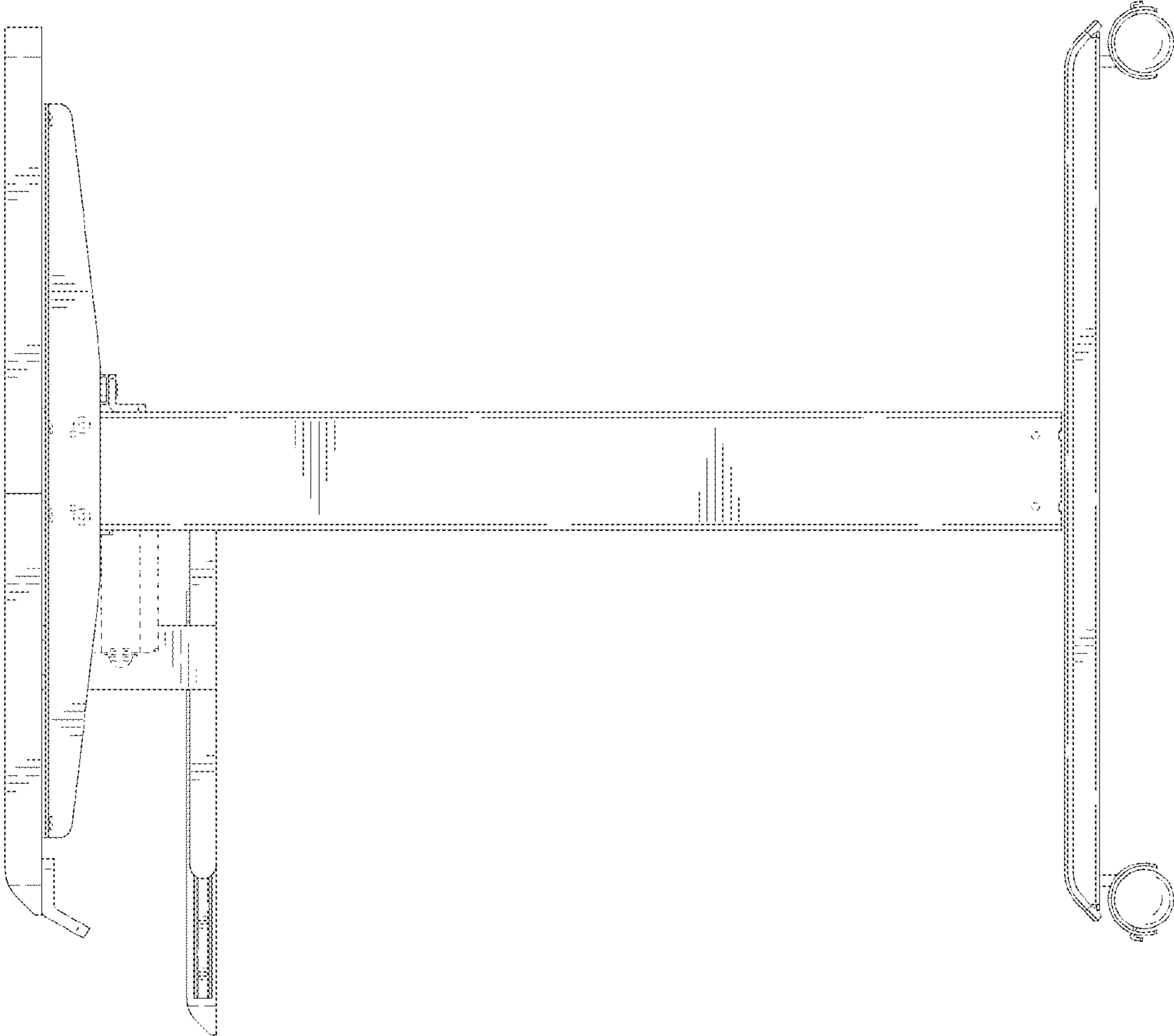


FIG. 6



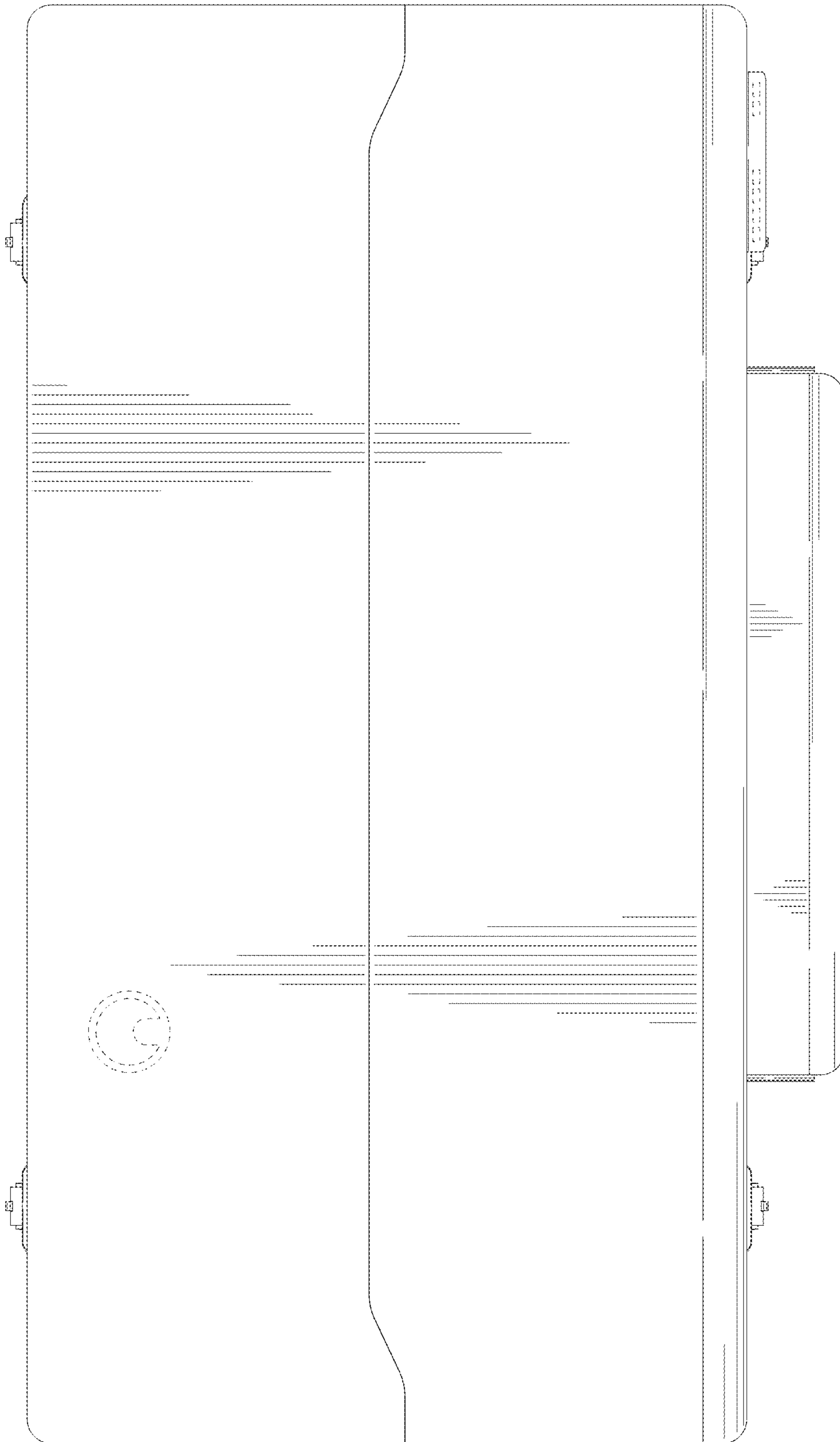


FIG. 7

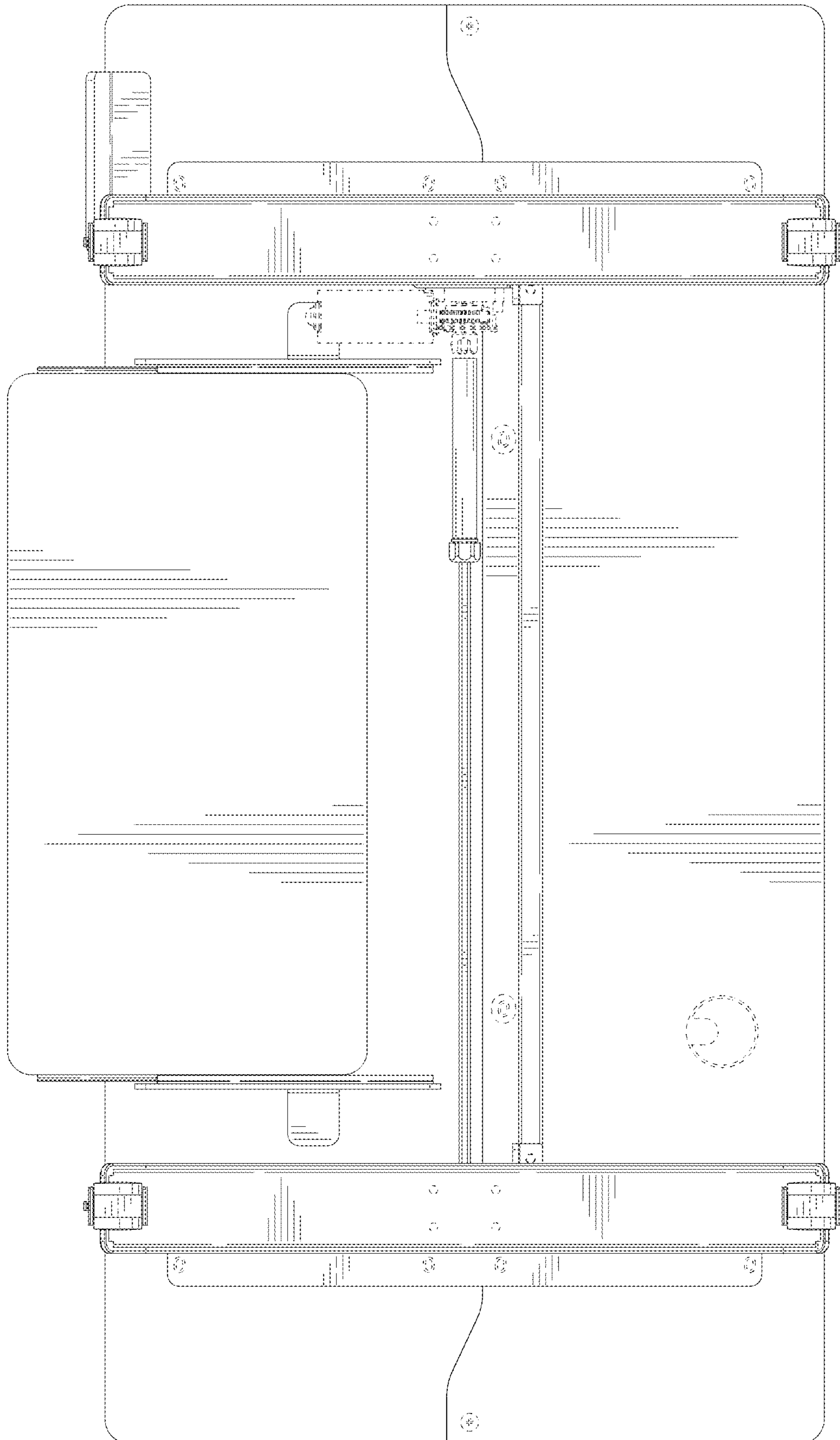


FIG. 8

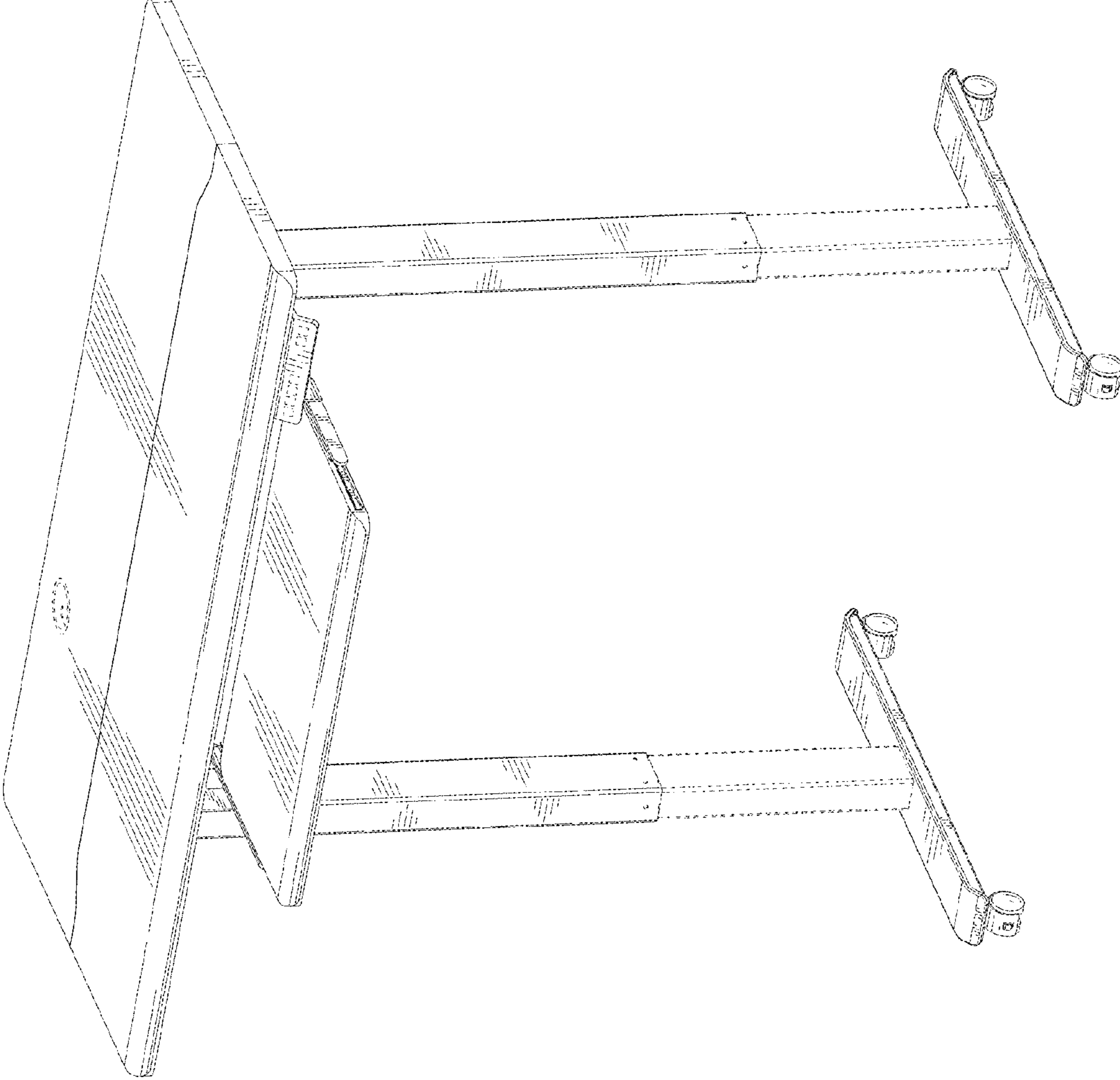


FIG. 9