



US00D965343S

(12) **United States Design Patent** (10) **Patent No.:** **US D965,343 S**
Sheydin (45) **Date of Patent:** **** Oct. 4, 2022**

(54) **THERAPEUTIC BODY WRAP**

(71) Applicant: **Mikhail Sheydin**, Atlantic Beach, NY (US)

(72) Inventor: **Mikhail Sheydin**, Atlantic Beach, NY (US)

(**) Term: **15 Years**

(21) Appl. No.: **29/695,978**

(22) Filed: **Jun. 24, 2019**

Related U.S. Application Data

(63) Continuation-in-part of application No. 16/449,066, filed on Jun. 21, 2019, now Pat. No. 11,197,777, and a continuation-in-part of application No. 29/671,651, filed on Nov. 28, 2018, now abandoned, and a continuation-in-part of application No. 29/671,649, filed on Nov. 28, 2018, now abandoned, and a continuation-in-part of application No. 29/671,648, filed on Nov. 28, 2018, now abandoned, and a continuation-in-part of application No. 15/474,015, filed on Mar. 30, 2017, now Pat. No. 10,369,043, which is a continuation-in-part of application No. 29/581,727, filed on Oct. 21, 2016, now abandoned, and a continuation-in-part of application No. 29/581,786, filed on Oct. 21, 2016, now abandoned, and a continuation-in-part of application No. 29/581,733, filed on Oct. 21, 2016, now abandoned.

(51) **LOC (13) Cl.** **06-10**

(52) **U.S. Cl.**
USPC **D6/582**; D24/206

(58) **Field of Classification Search**
USPC D6/582-585, 588, 592, 596; D21/815; D23/214; D24/206
CPC A47G 27/02; A47G 27/0212; A47G 27/0206; A47G 27/062; A47G 27/0225; A47G 9/062; A63G 31/007; A61F 7/08; A61F 2007/0001

See application file for complete search history.

(56) **References Cited**

U.S. PATENT DOCUMENTS

640,534	A *	1/1900	Cheney	A61F 7/02
					607/114
D236,287	S *	8/1975	Mcnaair	D6/596
D290,918	S *	7/1987	Ball	D6/606
D343,686	S *	1/1994	Irwin, Jr.	D24/206

(Continued)

Primary Examiner — Kevin K Rudzinski

Assistant Examiner — Clare Ann Gannon

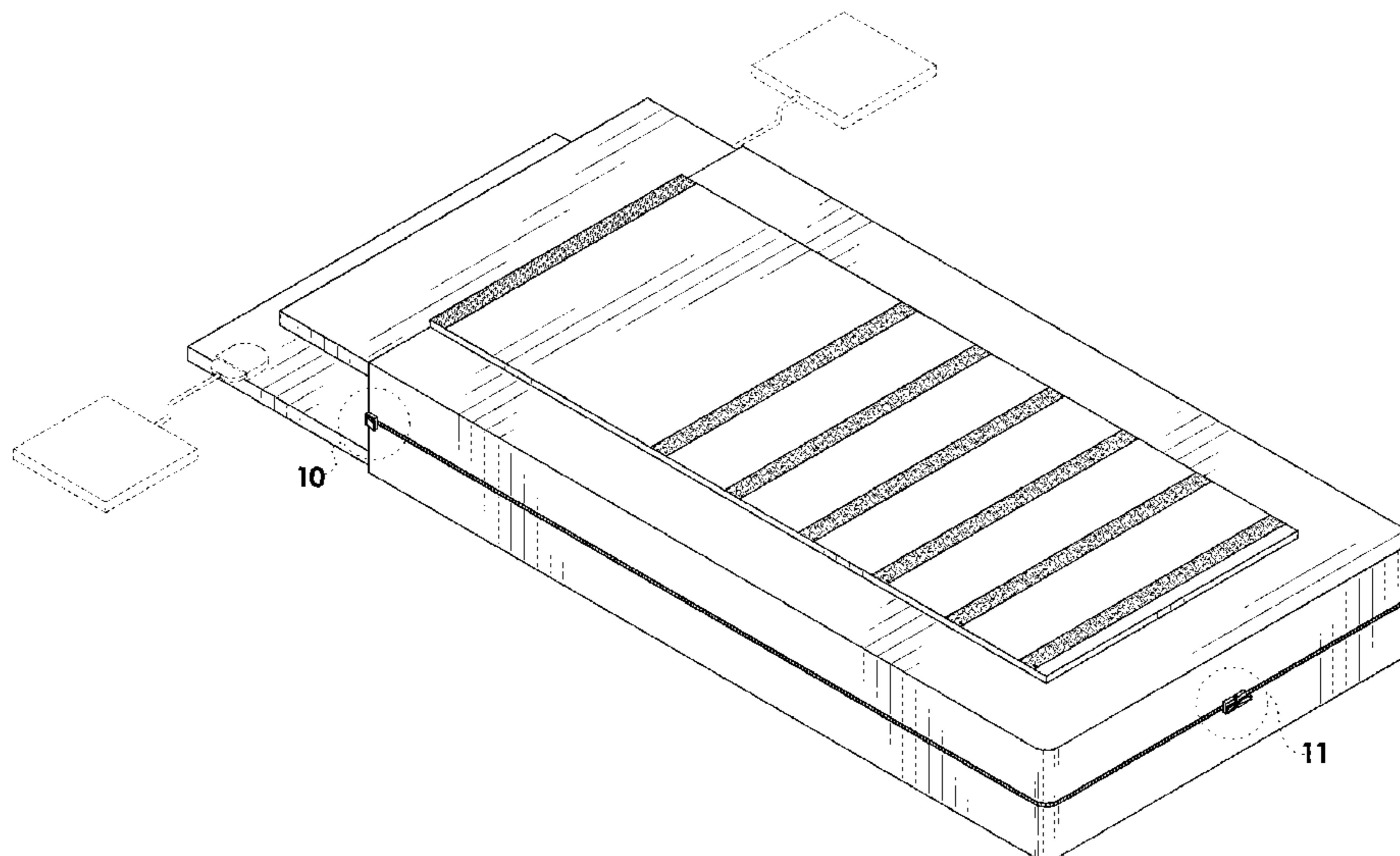
(57) **CLAIM**

The ornamental design for a therapeutic body wrap, as shown and described.

DESCRIPTION

FIG. 1 is a right-top-front perspective view of a therapeutic body wrap showing my new design;
FIG. 2 is a left-top-front perspective view thereof;
FIG. 3 is a right-bottom-front perspective view thereof;
FIG. 4 is a front view thereof;
FIG. 5 is a rear view thereof;
FIG. 6 is a right side view thereof;
FIG. 7 is a left side thereof;
FIG. 8 is a top view thereof;
FIG. 9 is a bottom view thereof;
FIG. 10 is a magnified view of the zipper area labeled 10 in FIG. 1;
FIG. 11 is a magnified view of the zipper area labeled 11 in FIG. 1; and,
FIG. 12 is a right-top-front perspective view of an alternative position of the mat system.
The broken line showing not-claimed items illustrated in figures, i.e. handheld devices attached to the mats in FIG. 1 through FIG. 9 and in FIG. 12 is included for the purpose of illustrating environmental structure and forms no part of the claimed design.

1 Claim, 12 Drawing Sheets



(56)

References Cited

U.S. PATENT DOCUMENTS

D430,627 S * 9/2000 Bergman D6/583
7,210,176 B2 * 5/2007 Weedling A61G 7/1021
5/81.1 R
7,712,170 B2 * 5/2010 Davis A61G 7/1028
5/711
D675,467 S * 2/2013 Gil Gomez D6/606
8,756,725 B2 * 6/2014 Piegdon A61G 7/1028
5/81.1 R
D713,655 S * 9/2014 Blatt D6/602
D792,124 S * 7/2017 Blatt D6/596
D806,886 S * 1/2018 Lee D24/206
D837,564 S * 1/2019 Sheydin A61F 7/02
D6/582
2002/0166168 A1 * 11/2002 Weedling A61G 7/1051
5/81.1 R

* cited by examiner

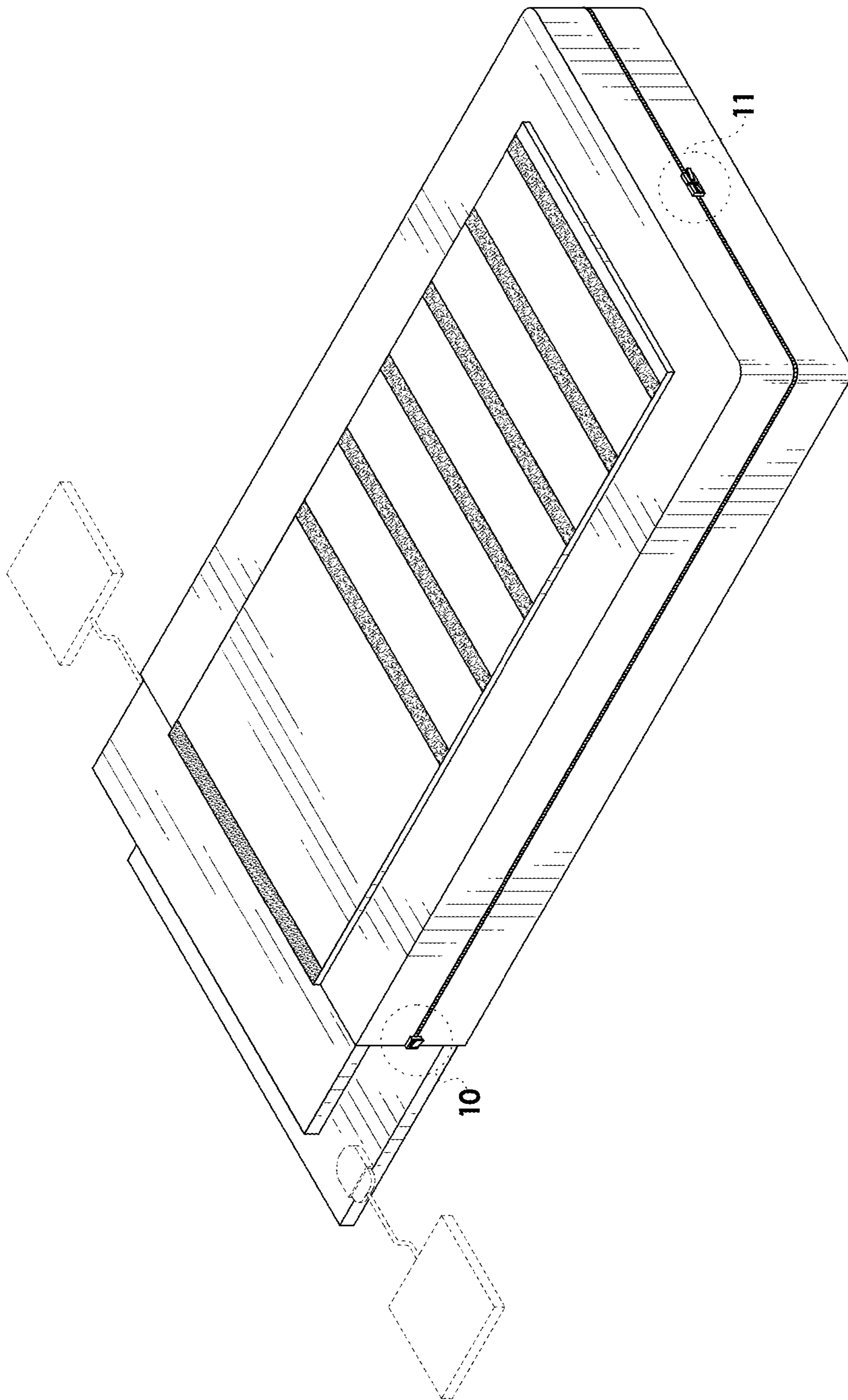


FIG 1

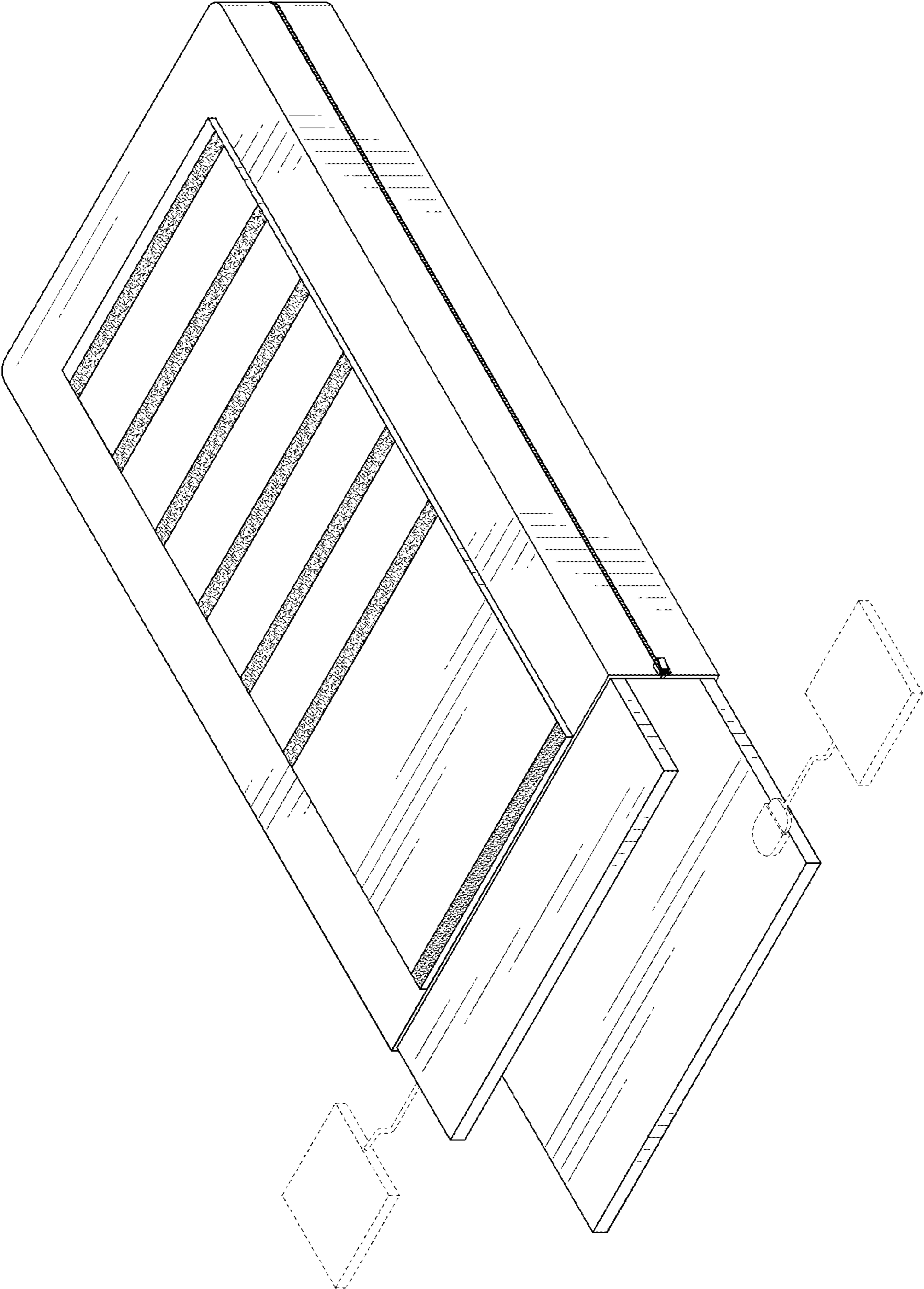


FIG 2

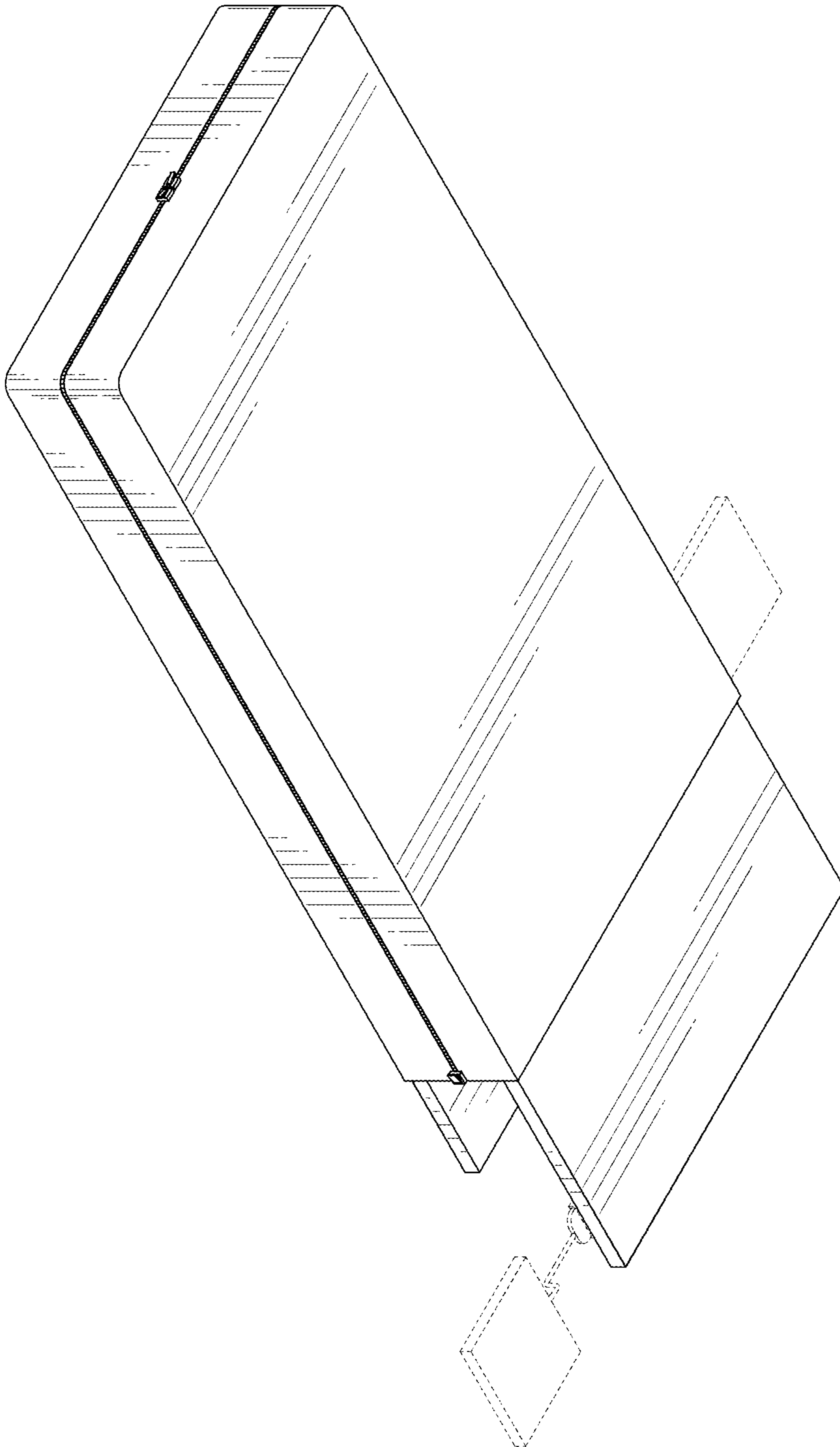


FIG 3

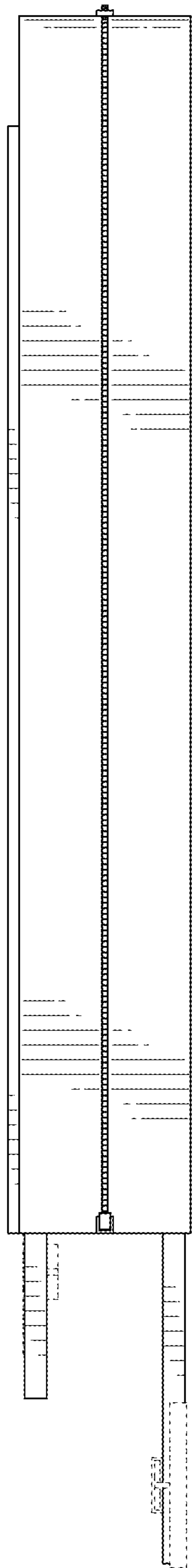


FIG 4

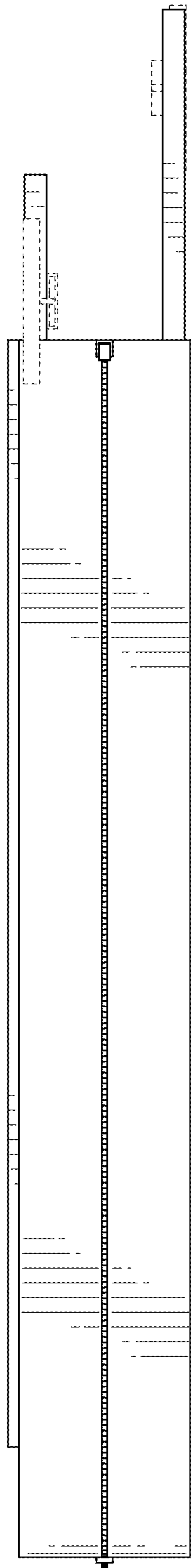


FIG 5

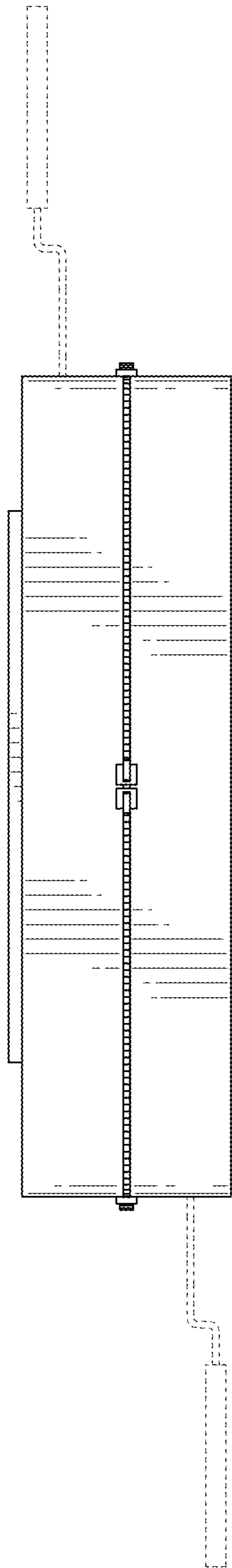


FIG 6

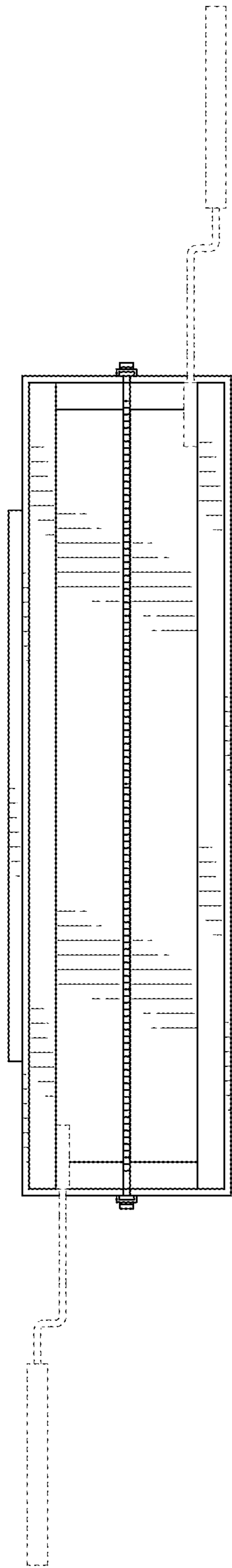


FIG 7

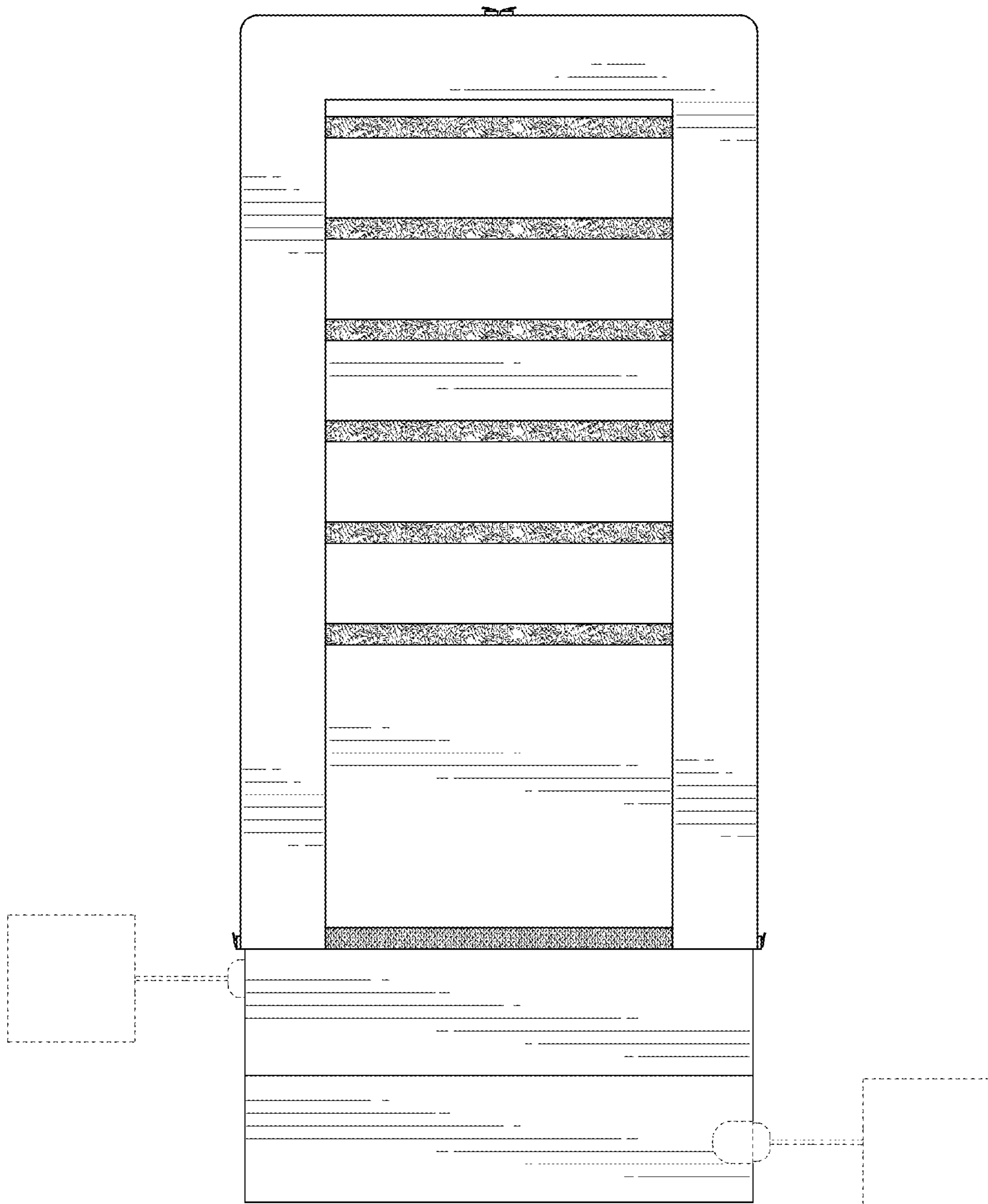


FIG 8

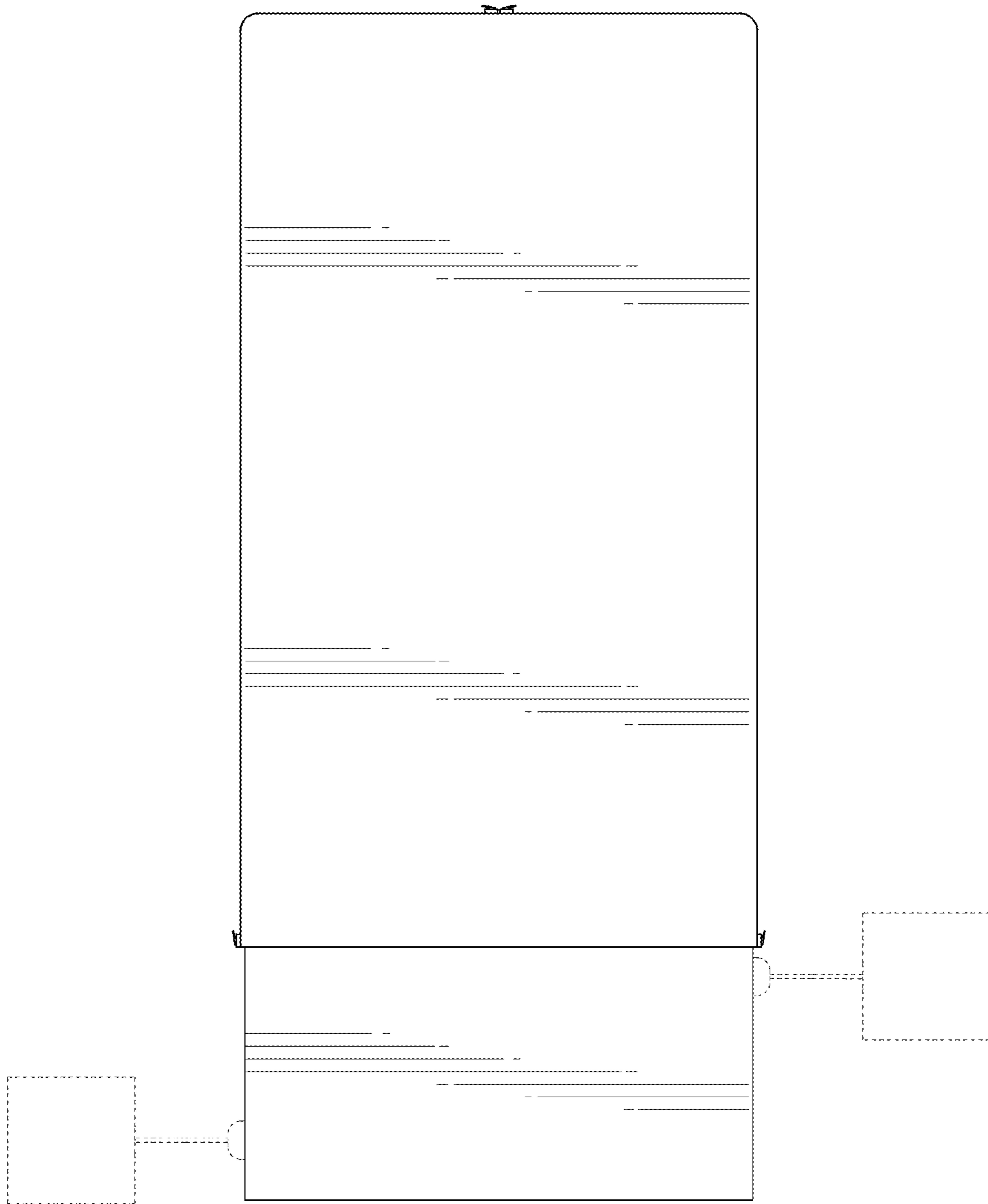


FIG 9

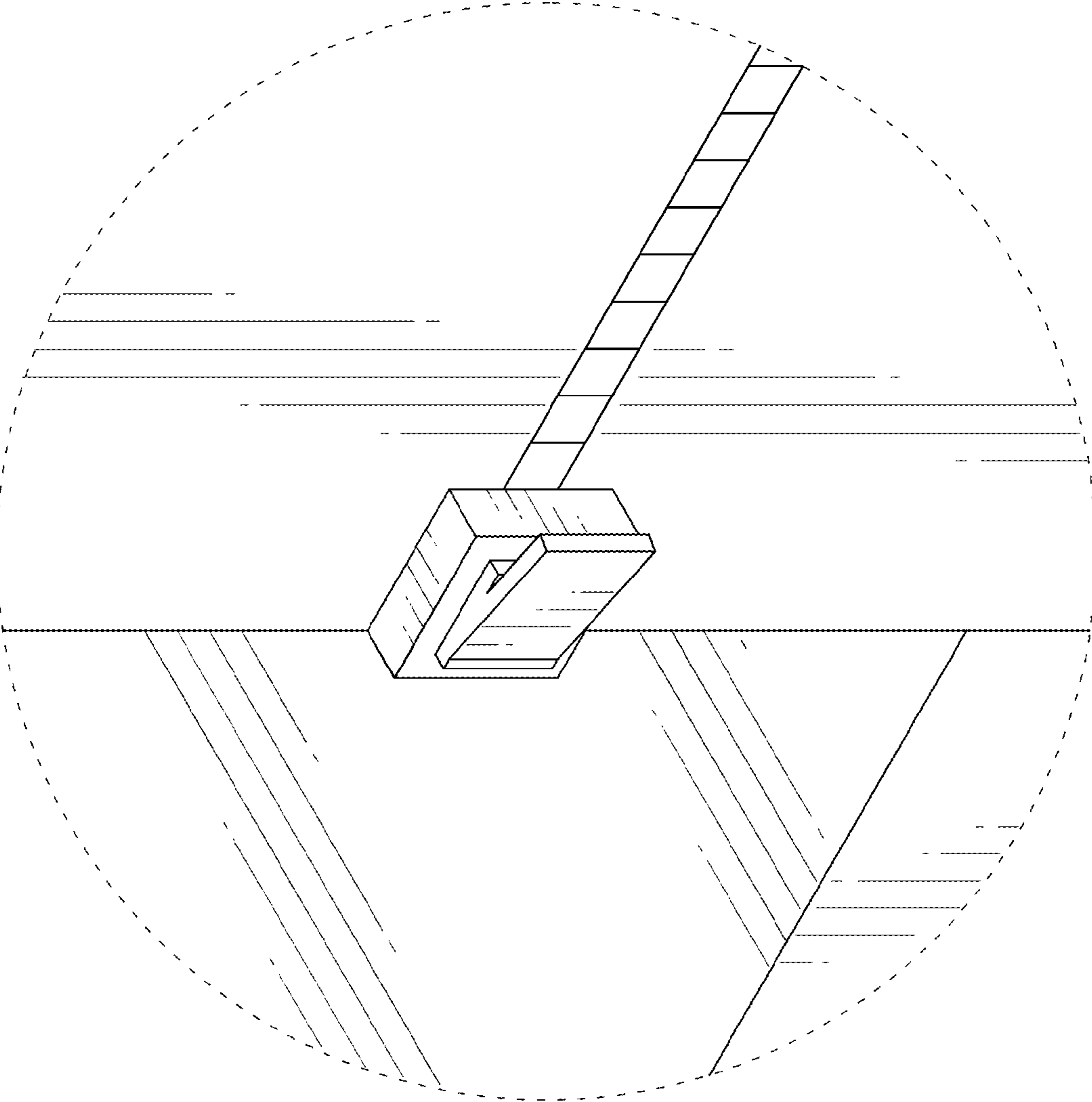


FIG 10

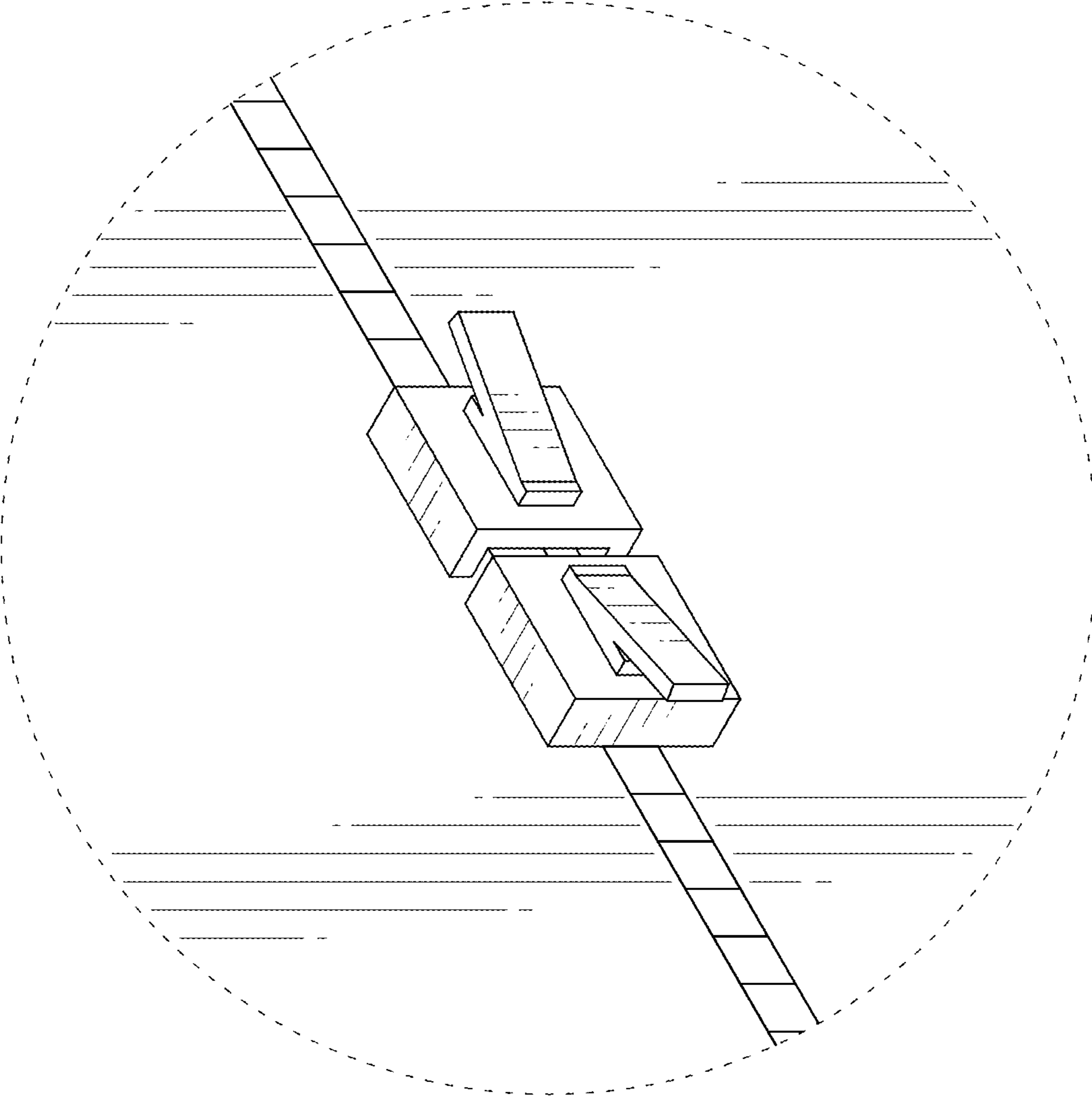


FIG 11

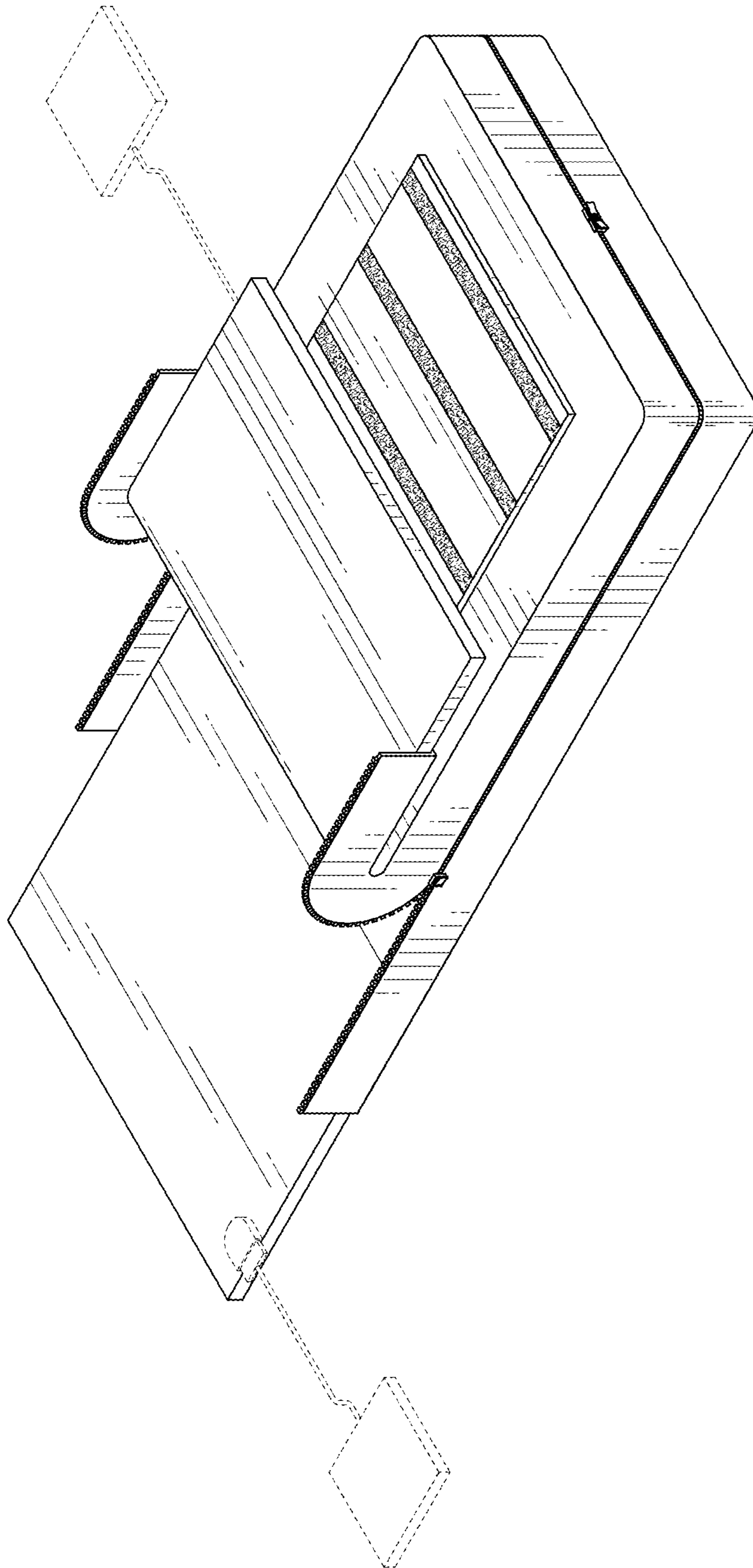


FIG 12