



US00D965341S

(12) **United States Design Patent** (10) **Patent No.:** **US D965,341 S**
Gunn (45) **Date of Patent:** **** Oct. 4, 2022**

(54) **GUN REST WITH ANGLED NOTCH** 4,927,103 A * 5/1990 Nicholson F16L 3/24
248/62
(71) Applicant: **Michael Jason Gunn**, Walnut, MS 5,332,185 A 7/1994 Walker, III
(US) 5,779,892 A * 7/1998 Miltenyi B03C 1/0332
436/526

(72) Inventor: **Michael Jason Gunn**, Walnut, MS (Continued)
(US)

(**) Term: **15 Years**

(21) Appl. No.: **29/744,963**

(22) Filed: **Aug. 3, 2020**

Related U.S. Application Data

(63) Continuation of application No. 16/115,758, filed on Aug. 29, 2018, now abandoned.

(51) **LOC (13) Cl.** **06-04**

(52) **U.S. Cl.**
USPC **D6/552; D22/108**

(58) **Field of Classification Search**
USPC D6/552, 553; D21/484, 485, 487, 488,
D21/492, 503, 504, 743, 748; D22/108,
D22/109, 110

CPC F41A 23/18; F41A 23/26; A47B 81/005
See application file for complete search history.

(56) **References Cited**

U.S. PATENT DOCUMENTS

2,522,120 A * 9/1950 Kaskey A47G 9/10
5/636
3,041,938 A 7/1962 Seabrook
3,411,304 A * 11/1968 Miller E02B 3/26
267/140
3,566,526 A * 3/1971 LaViolette H01F 7/0252
40/711
3,917,071 A 11/1975 Walters
D240,165 S * 6/1976 Thomas D28/8.1

OTHER PUBLICATIONS

Protectafoam A Corner Foam Protection, available in Amazon.co.uk, date first available May 11, 2012 [online], Retrieved on Apr. 20, 2022 from URL: <https://www.amazon.co.uk/ProtectafoamTM-Corner-Protection-Yellow-adhesive/dp/B0082C1HWI> (Year: 2012).*

(Continued)

Primary Examiner — Vy N Koenig
Assistant Examiner — Michelle M Reeves

(74) *Attorney, Agent, or Firm* — Law Office of Kurt J. Fugman LLC

(57) **CLAIM**

The ornamental design for a gun rest with angled notch, as shown and described.

DESCRIPTION

FIG. 1 is a perspective view of the gun rest with angled notch according to my design;

FIG. 2 is a front view of the gun rest with angled notch shown in FIG. 1, with the back view being a mirror image thereof;

FIG. 3 is a side view of the gun rest with angled notch shown in FIG. 1;

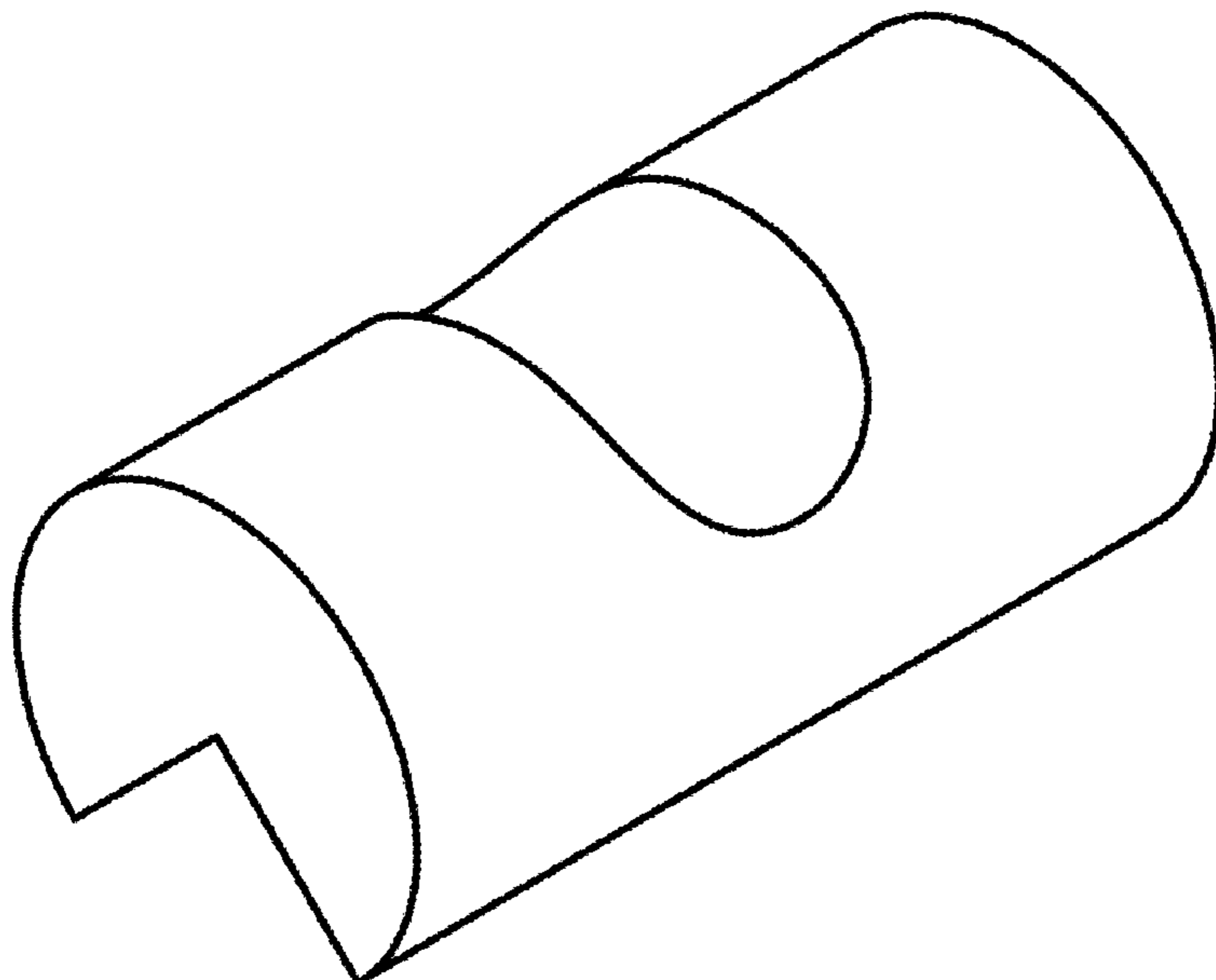
FIG. 4 is a top view of the gun rest with angled notch shown in FIG. 1;

FIG. 5 is a bottom view of the gun rest with angled notch shown in FIG. 1; and,

FIG. 6 is perspective view of the gun rest with angled notch shown in FIG. 1, showing the design in use on a wall.

In the drawings, the broken lines depict environmental subject matter and form no part of the claimed design.

1 Claim, 4 Drawing Sheets



(56)

References Cited

U.S. PATENT DOCUMENTS

5,875,943 A * 3/1999 Frandsen, Sr. B60R 5/00
 224/571
 D420,465 S * 2/2000 Cascio D28/8.2
 6,042,080 A 3/2000 Shepherd et al.
 6,087,589 A * 7/2000 Ide H01R 43/0207
 174/84 R
 D442,006 S * 5/2001 Miller D6/601
 D447,531 S * 9/2001 Fiscus D22/108
 6,289,836 B1 9/2001 Tellex
 D457,369 S * 5/2002 Fiscus D6/552
 7,124,530 B1 10/2006 Clark
 7,165,750 B2 1/2007 McCuskey et al.
 D551,734 S * 9/2007 Barker D22/108
 8,104,212 B2 1/2012 Potterfield et al.
 8,403,278 B1 3/2013 Kasbohm
 D680,185 S * 4/2013 Adamson D22/108
 8,721,224 B2 * 5/2014 Hough B63B 59/02
 405/215
 8,739,453 B1 6/2014 Conner
 D731,812 S * 6/2015 Beebe D6/553

9,115,948 B2 8/2015 Murphey
 D762,076 S 7/2016 Adam et al.
 D763,599 S 8/2016 Vinson
 9,528,794 B2 12/2016 Franklin
 9,671,045 B1 * 6/2017 Huebl F16M 11/00
 11,070,037 B2 * 7/2021 Notohardjono A47B 95/043
 2004/0099776 A1 * 5/2004 Dougal B60R 11/00
 248/316.1
 2008/0034636 A1 * 2/2008 Potterfield F41A 23/04
 42/94
 2014/0034252 A1 2/2014 Pottmeyer et al.
 2014/0165445 A1 6/2014 Murphey
 2014/0352193 A1 12/2014 Bull
 2015/0182020 A1 7/2015 Rahman
 2016/0084603 A1 3/2016 Michal

OTHER PUBLICATIONS

<https://web.archive.org/web/20160206073116/https://marina-products.com/shop/dock-fenders-2/fend-off-heavy-duty-corner-fender/02/06/2016>.

* cited by examiner

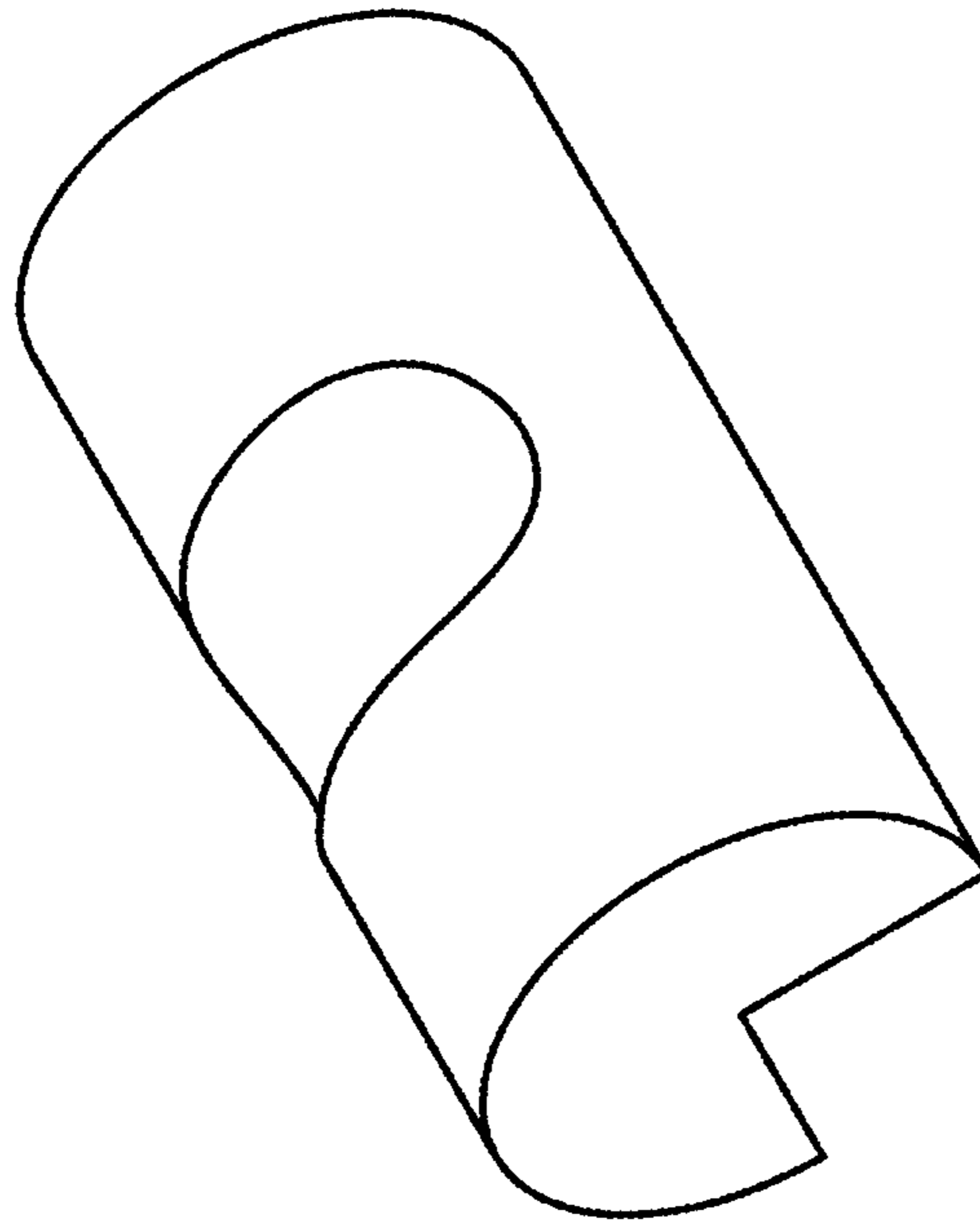


FIG. 1

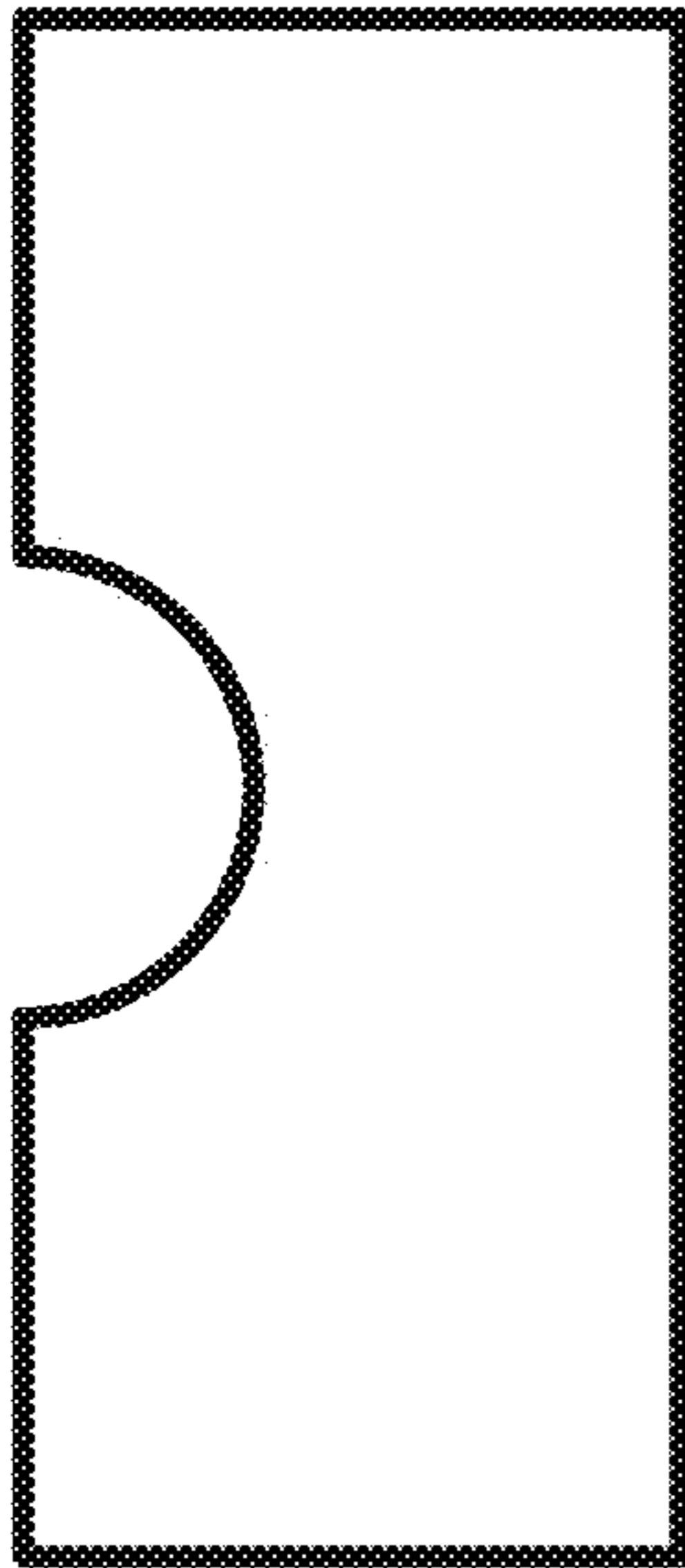


FIG. 2

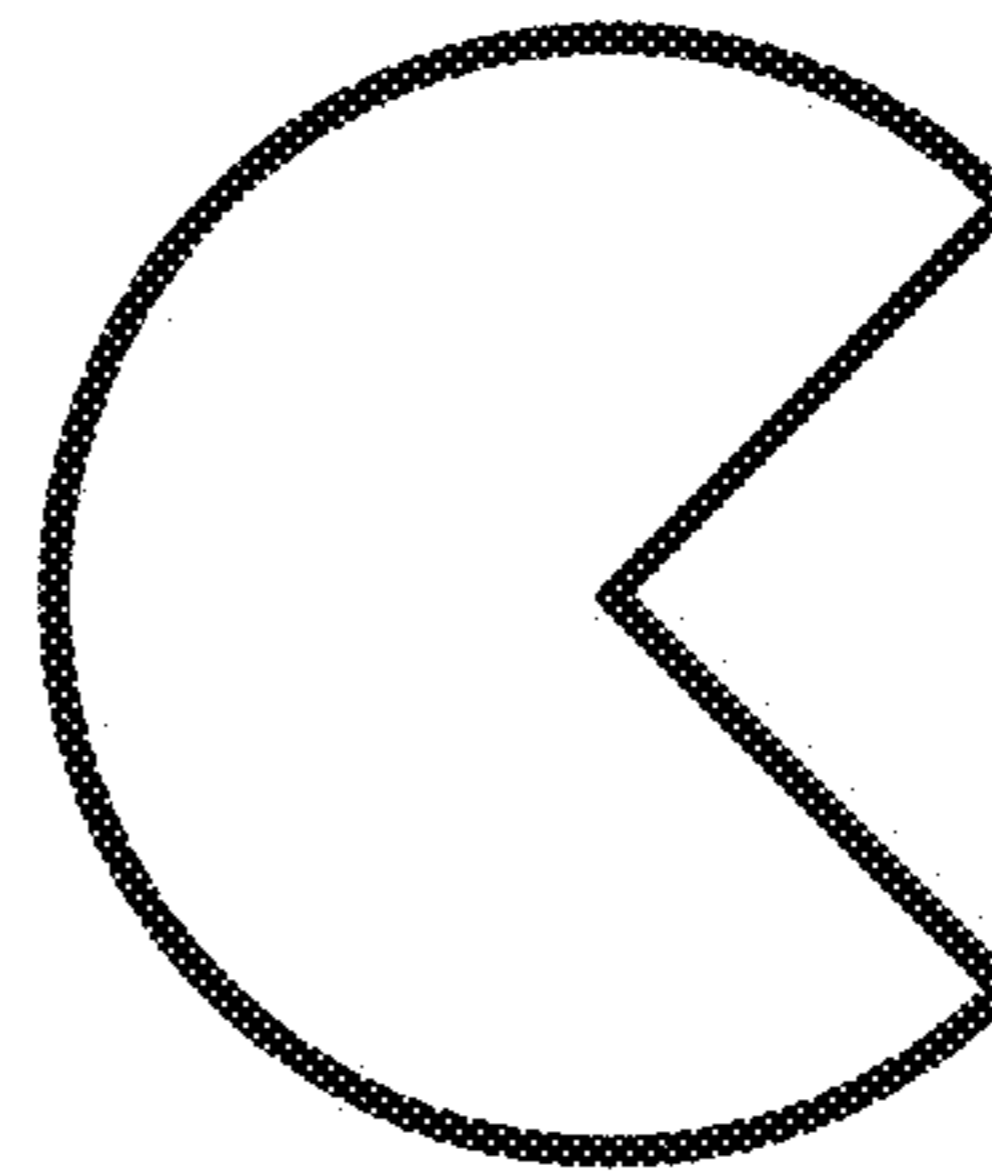


FIG. 3

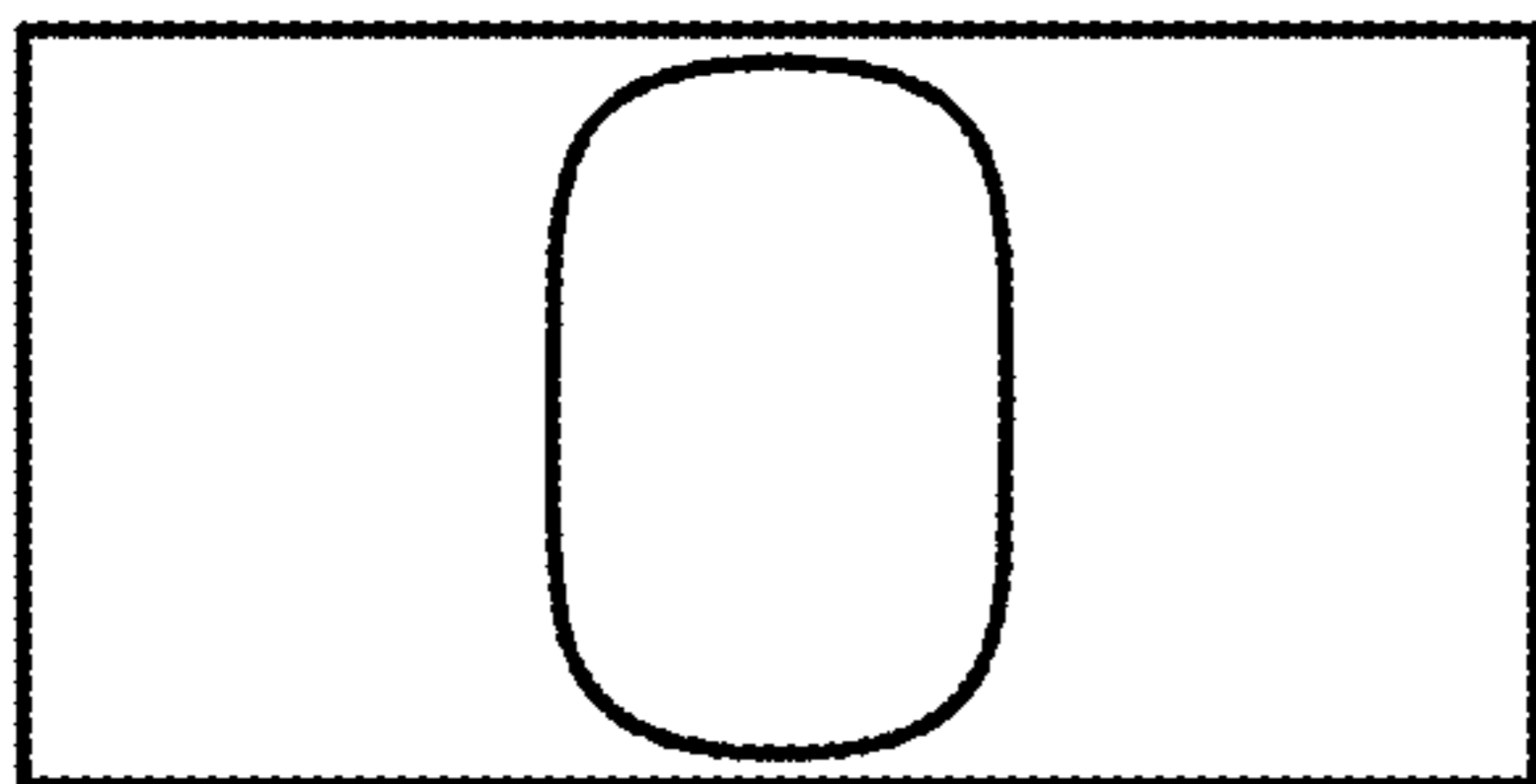


FIG. 4

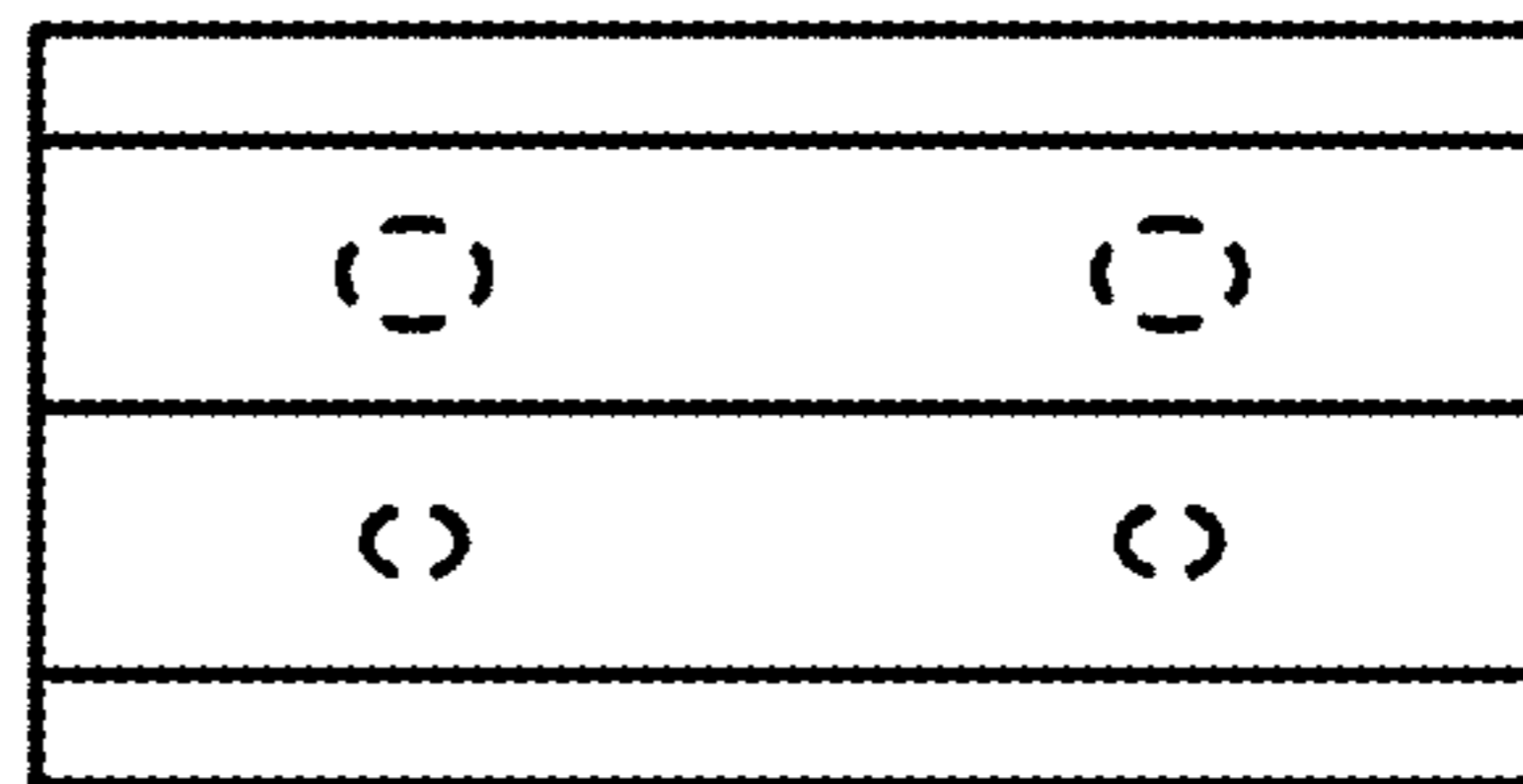


FIG. 5

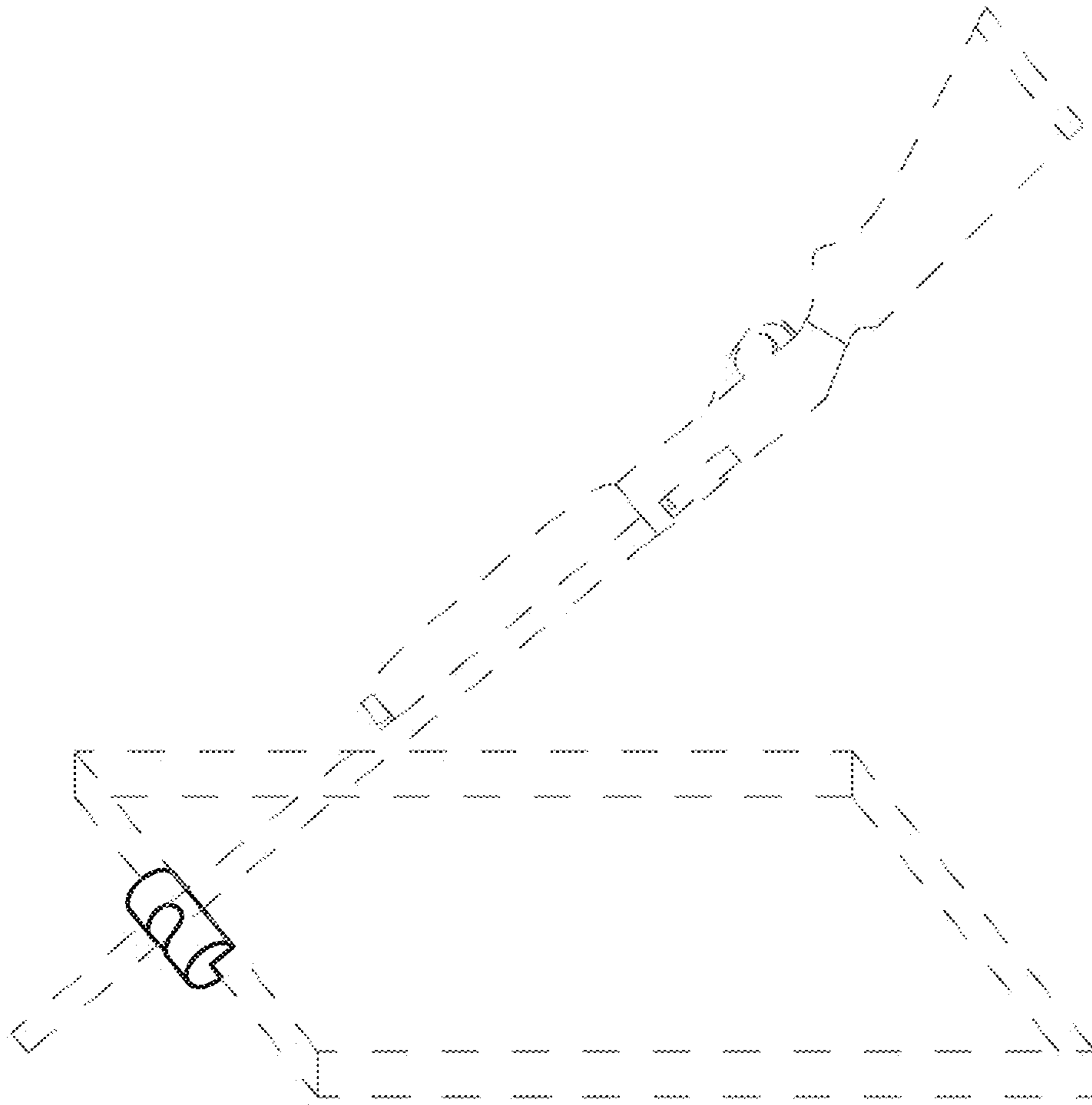


FIG. 6