



US00D965340S

(12) **United States Design Patent**
Wang

(10) **Patent No.:** **US D965,340 S**

(45) **Date of Patent:** **** Oct. 4, 2022**

(54) **SHOWER SHELF**

(71) Applicant: **Shuangsheng Wang**, Yueyang (CN)

(72) Inventor: **Shuangsheng Wang**, Yueyang (CN)

(**) Term: **15 Years**

(21) Appl. No.: **29/780,820**

(22) Filed: **Apr. 27, 2021**

(51) **LOC (13) Cl.** **06-04**

(52) **U.S. Cl.**

USPC **D6/525**

(58) **Field of Classification Search**

USPC D6/525, 566, 512-513, 540, 570;
D19/90; 211/13.1, 70.6, 71.1, 75, 86.01,
211/88.01, 90.01, 90.03, 106, 119, 126.1,
211/133.5, 134, 181.1

CPC A47K 17/00; A47K 3/28; A47K 3/001;
A47K 3/281; A47K 5/04; B23P 17/04;
A47B 57/265; A47B 57/565; A47B
57/26; A47B 96/022; A47B 96/021; A47B
96/024; A47B 96/066; A47B 55/00

See application file for complete search history.

(56) **References Cited**

U.S. PATENT DOCUMENTS

D464,516 S * 10/2002 Snell D6/525
D479,663 S * 9/2003 Snell D6/525
D559,025 S 1/2008 Williams et al.
D574,650 S * 8/2008 Snider D6/525
D698,186 S * 1/2014 Funchess D6/552

D723,301 S * 3/2015 Callif D6/524
D816,372 S 5/2018 Berkowitz et al.
D832,614 S * 11/2018 Jun D32/55
D863,817 S * 10/2019 Chien D6/566

OTHER PUBLICATIONS

Carwiner Store, Carwiner Shower Shelf Basket Caddy . . . —Nov. 2, 2021, amazon.com, URL: amazon.com/Carwiner-Stainless-Bathroom-Organizer-Adhesive/dp/B09G3CRR91/ref=sr_1_20?crd=TGV6JEDLVVXW&keywords=SHOWER%2BSHELF%2BSET&qid=1651956729&sprefix=shower%2Bshelf%2Bset%2Caps%2C95&sr=8-20&th=1,2 pgs (Year: 2021).*

* cited by examiner

Primary Examiner — Mary Shannon Malley

Assistant Examiner — Mark Booker

(57) **CLAIM**

The ornamental design for a shower shelf, as shown and described.

DESCRIPTION

FIG. 1 is a perspective view of a shower shelf showing my new design;

FIG. 2 is a front elevational view thereof;

FIG. 3 is a rear elevational view thereof;

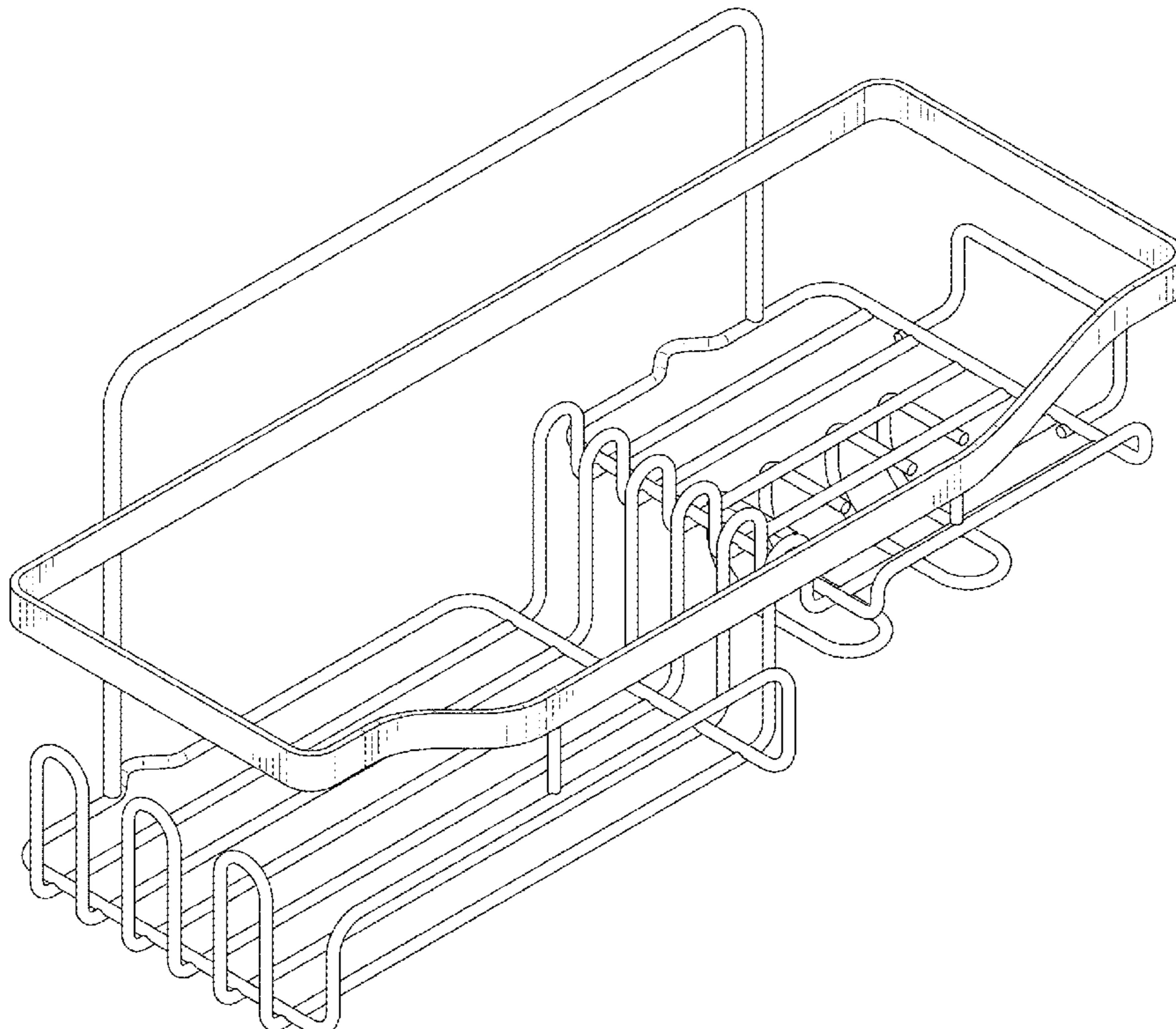
FIG. 4 is a left side elevational view thereof;

FIG. 5 is a right side elevational view thereof;

FIG. 6 is a top plan view thereof; and,

FIG. 7 is a bottom plan view thereof.

1 Claim, 7 Drawing Sheets



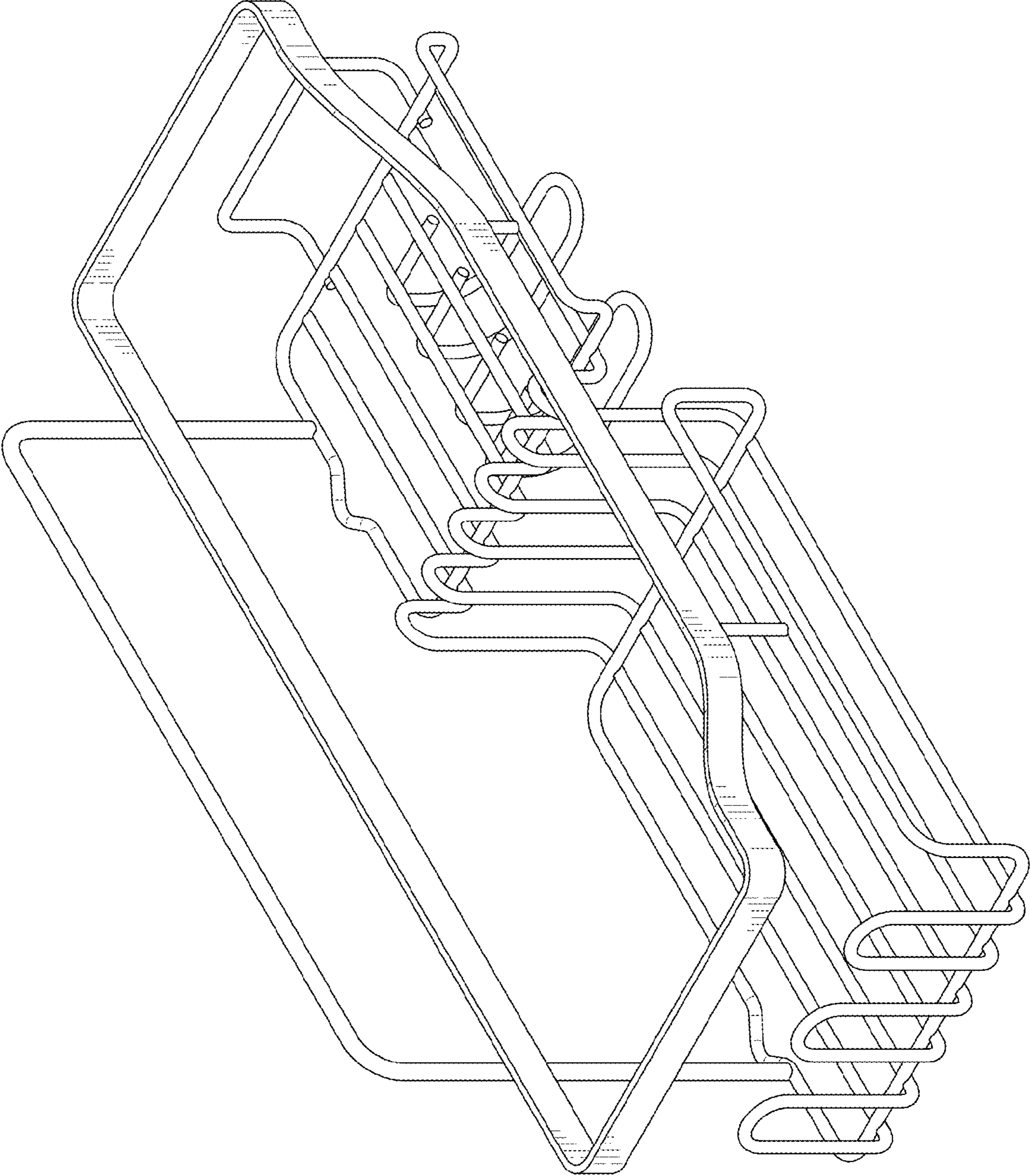


FIG. 1

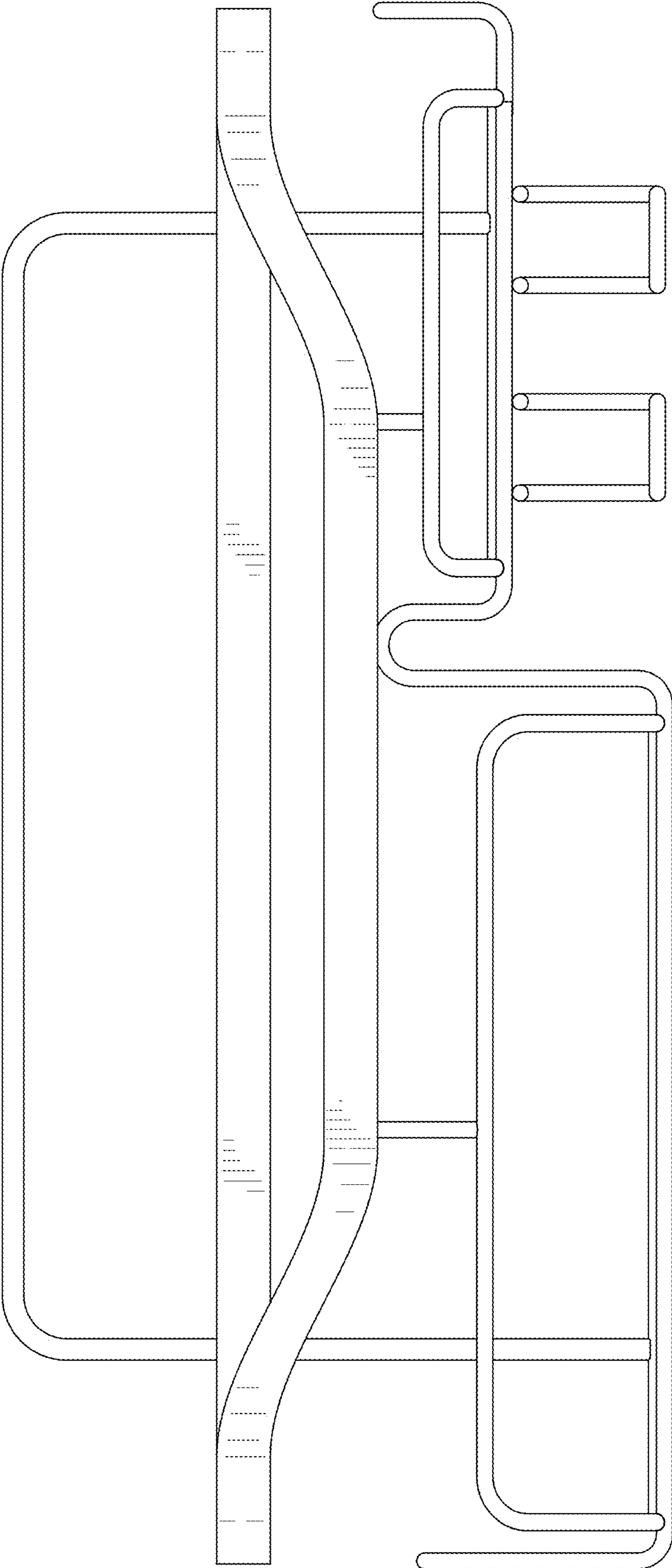


FIG. 2

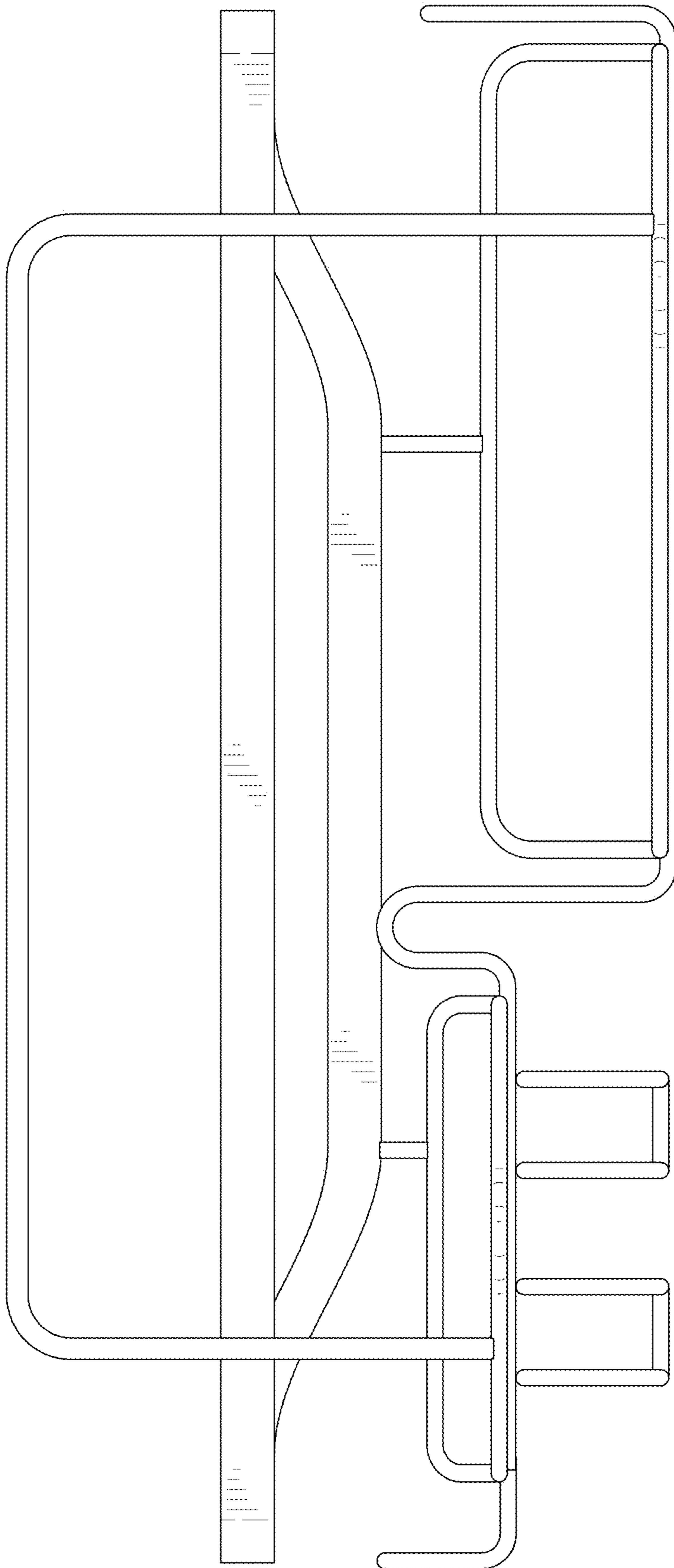


FIG. 3

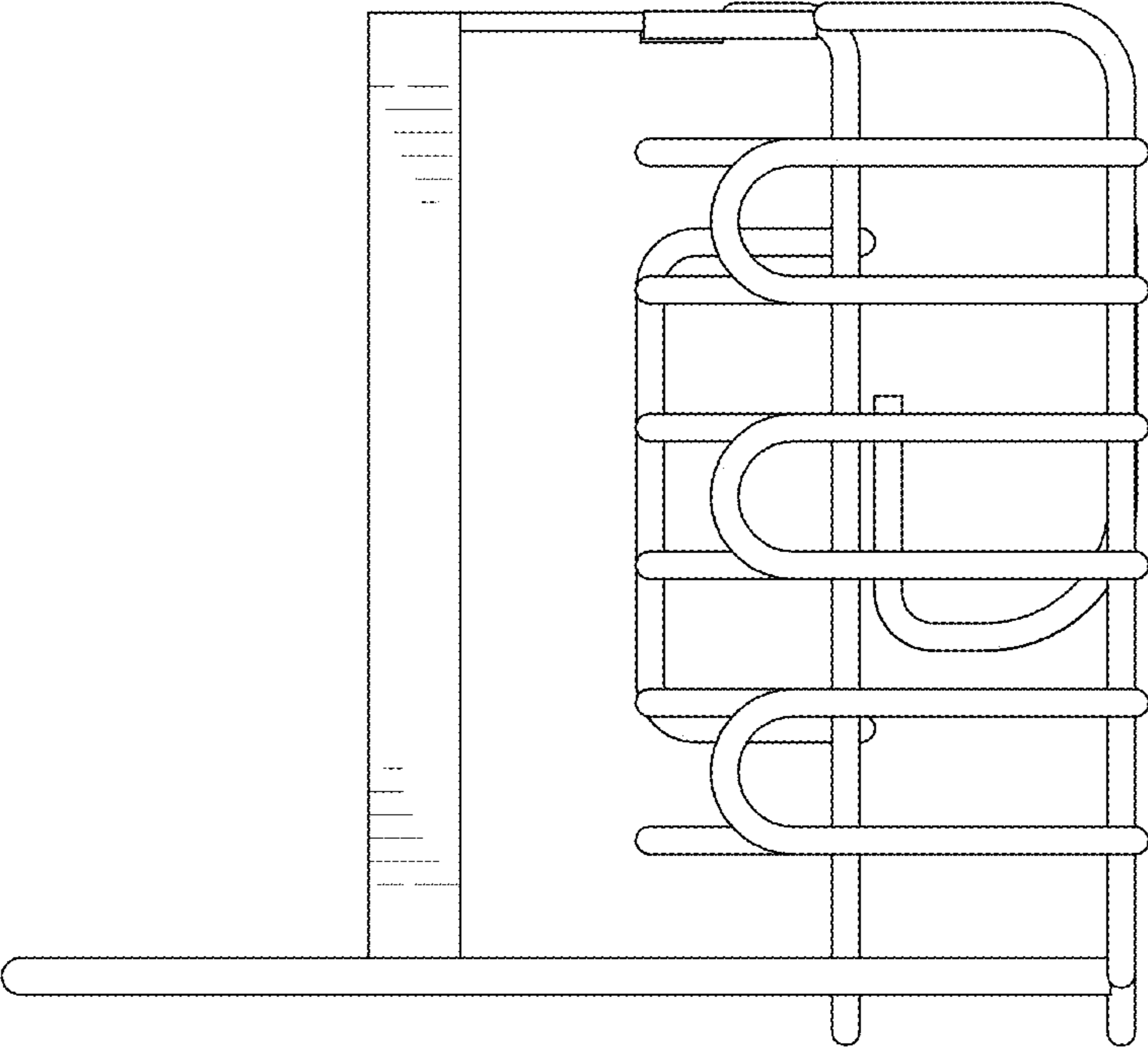


FIG. 4

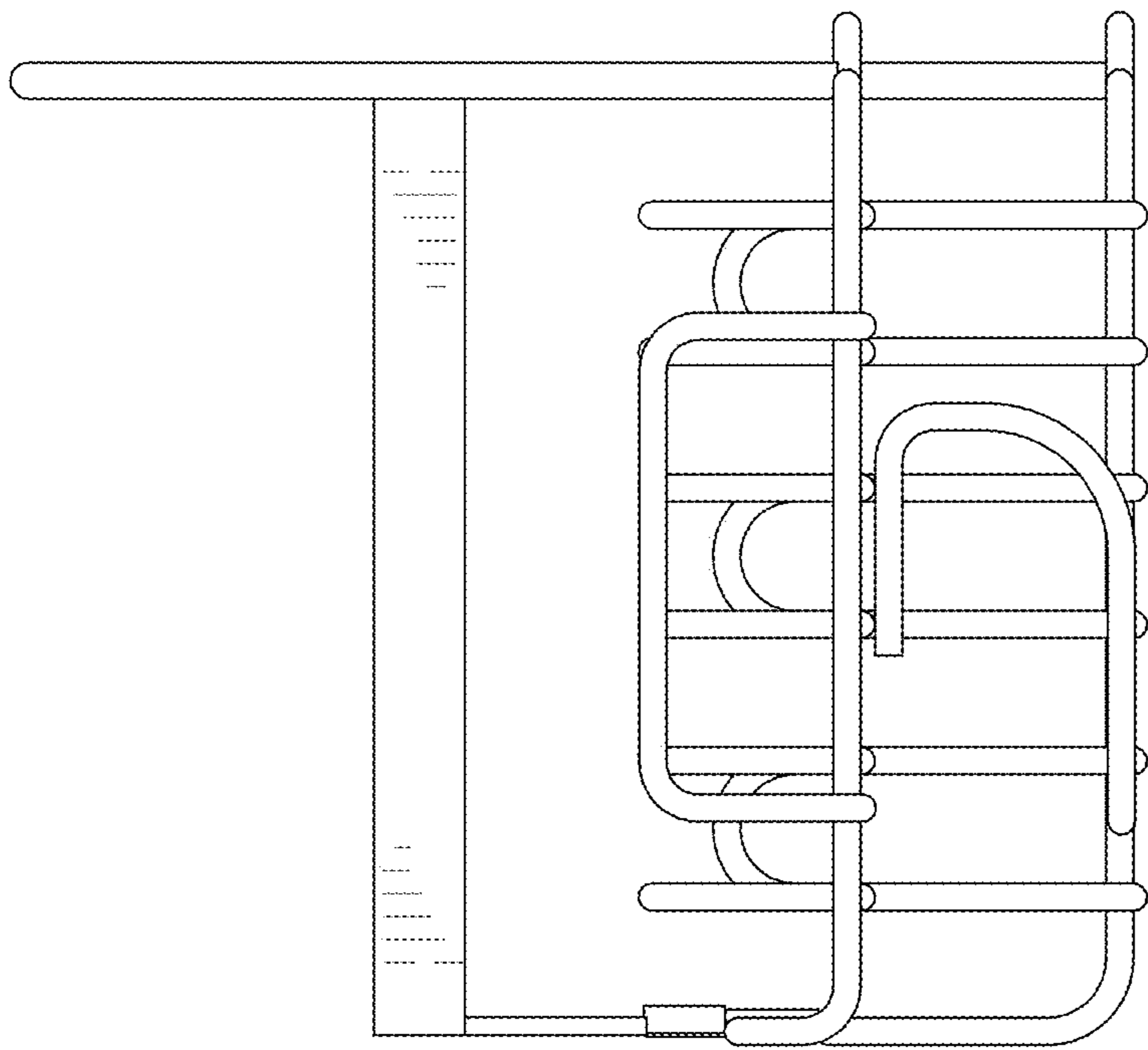


FIG. 5

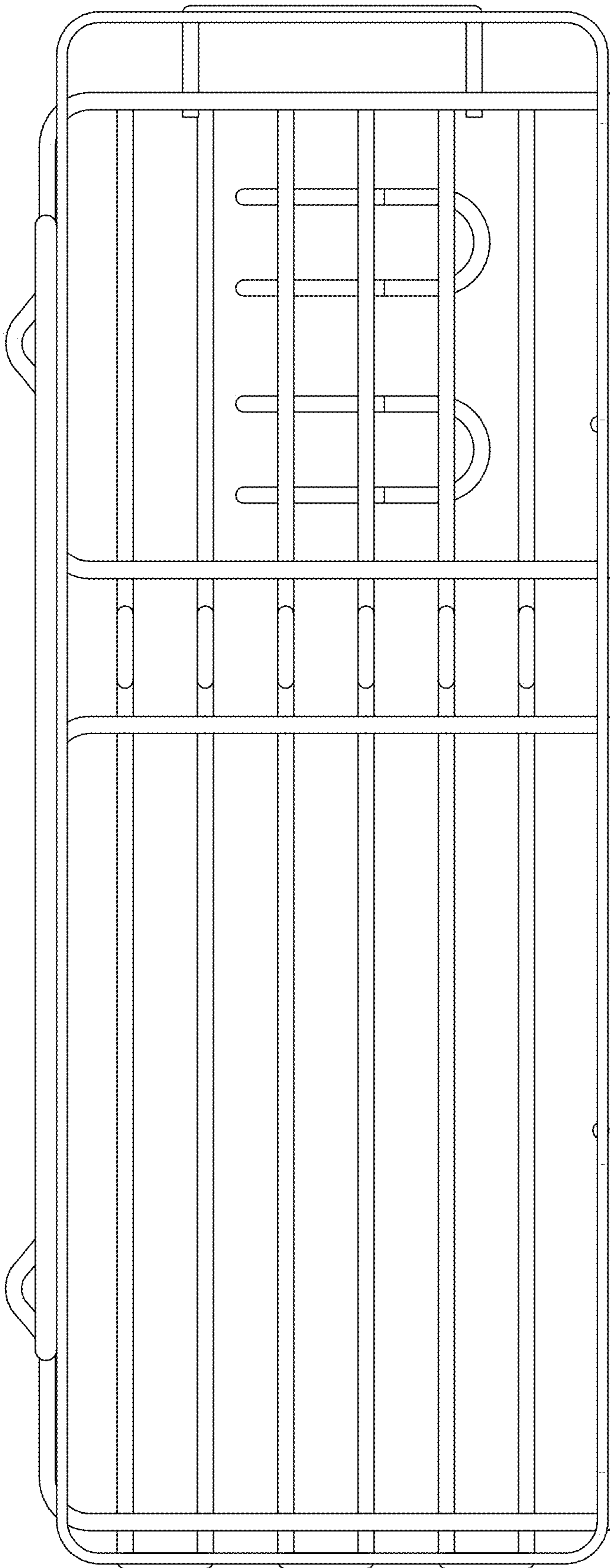


FIG. 6

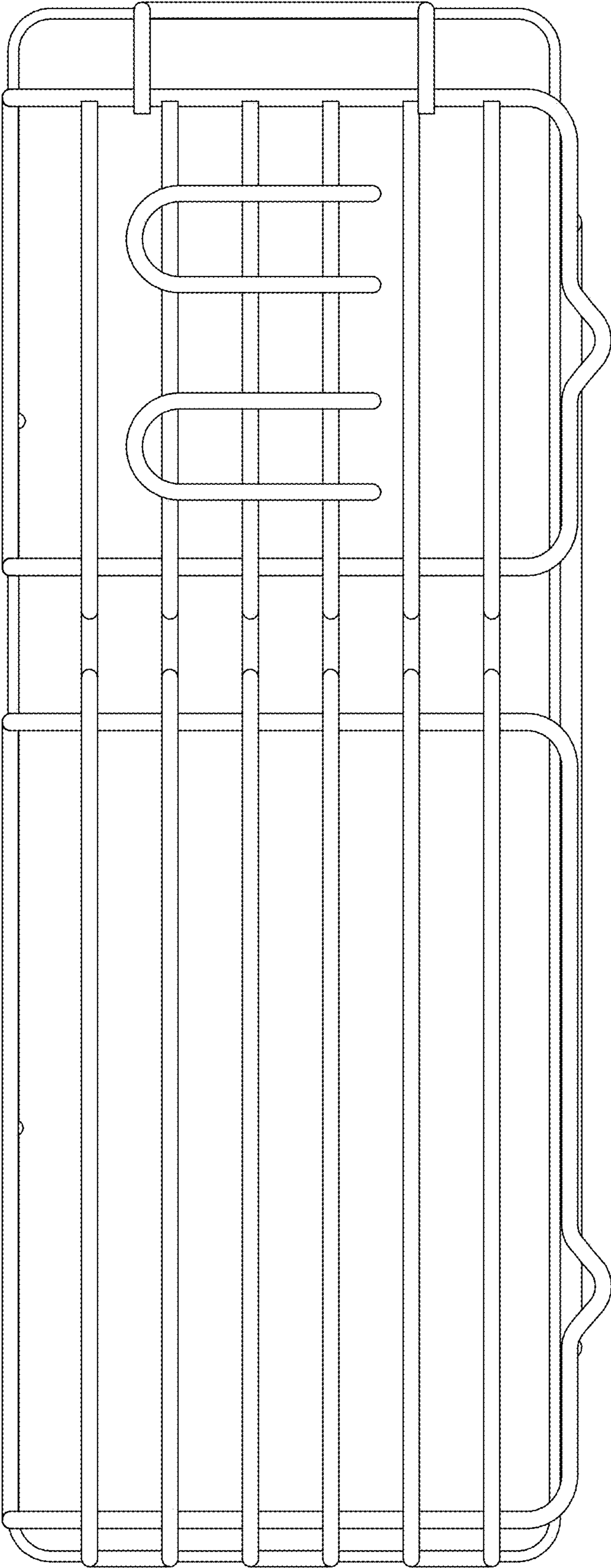


FIG. 7