



US00D965339S

(12) **United States Design Patent** (10) **Patent No.:** **US D965,339 S**
Allard et al. (45) **Date of Patent:** **** Oct. 4, 2022**

(54) **PAPER HOLDER WITH COVER**

(71) Applicant: **Grohe AG**, Hemer (DE)

(72) Inventors: **Jochen Allard**, Duesseldorf (DE);
Michael Seum, Duesseldorf (DE)

(73) Assignee: **Grohe AG**, Hemer (DE)

(**) Term: **15 Years**

(21) Appl. No.: **29/732,357**

(22) Filed: **Apr. 23, 2020**

(30) **Foreign Application Priority Data**

Oct. 23, 2019 (EM) 007081724-0019

(51) **LOC (13) Cl.** **06-04**

(52) **U.S. Cl.**
USPC **D6/523**

(58) **Field of Classification Search**
USPC D6/523, 546–550, 518–522; D8/300,
D8/315, 370; 211/12, 13.1, 16, 85.5,
211/86.01, 87.01, 88.04, 100, 105.1,
211/105.2, 106, 113; 242/570, 590,
242/595–598; 248/49, 175, 176.1, 200,
248/201

CPC A47K 10/40; A47K 10/3836; A47K 10/22;
A47K 10/38; A47K 2010/389; A47K
2010/3233; A47K 2010/3872

See application file for complete search history.

(56) **References Cited**

U.S. PATENT DOCUMENTS

D374,585 S * 10/1996 Moon D6/523
D471,748 S * 3/2003 Moore D6/523
D512,591 S * 12/2005 Ferrer Beltran D6/523
D520,279 S * 5/2006 Ferrer Beltran D6/523
D520,280 S * 5/2006 Ferrer Beltran D6/523
D520,787 S * 5/2006 Ferrer Beltran D6/523
D521,288 S * 5/2006 Barry D6/523

D521,292 S * 5/2006 Ferrer Beltran D6/546
D522,294 S * 6/2006 Ferrer Beltran D6/523
D573,821 S * 7/2008 Rubin D6/523
D621,646 S * 8/2010 De Bonis D6/523
D766,613 S * 9/2016 Citterio D6/523
D811,118 S * 2/2018 Garland D6/523

OTHER PUBLICATIONS

Amazon.com, Grohe Selection Roll Holder—Metal, Jan. 5, 2020,
<https://www.amazon.com/Grohe-Selection-Roll-Holder-Metal/dp/B082W8T884/> (Year: 2020).*

* cited by examiner

Primary Examiner — Nathan M Johnston

(74) *Attorney, Agent, or Firm* — Muncy, Geissler, Olds & Lowe, P.C.

(57) **CLAIM**

The ornamental design for a paper holder with cover, as shown and described.

DESCRIPTION

FIG. 1 is a front perspective view of a paper holder with cover according to the present invention.

FIG. 2 is a front view of the paper holder with cover of FIG. 1.

FIG. 3 is a rear view of the paper holder with cover of FIG. 1.

FIG. 4 is a left side view of the paper holder with cover of FIG. 1.

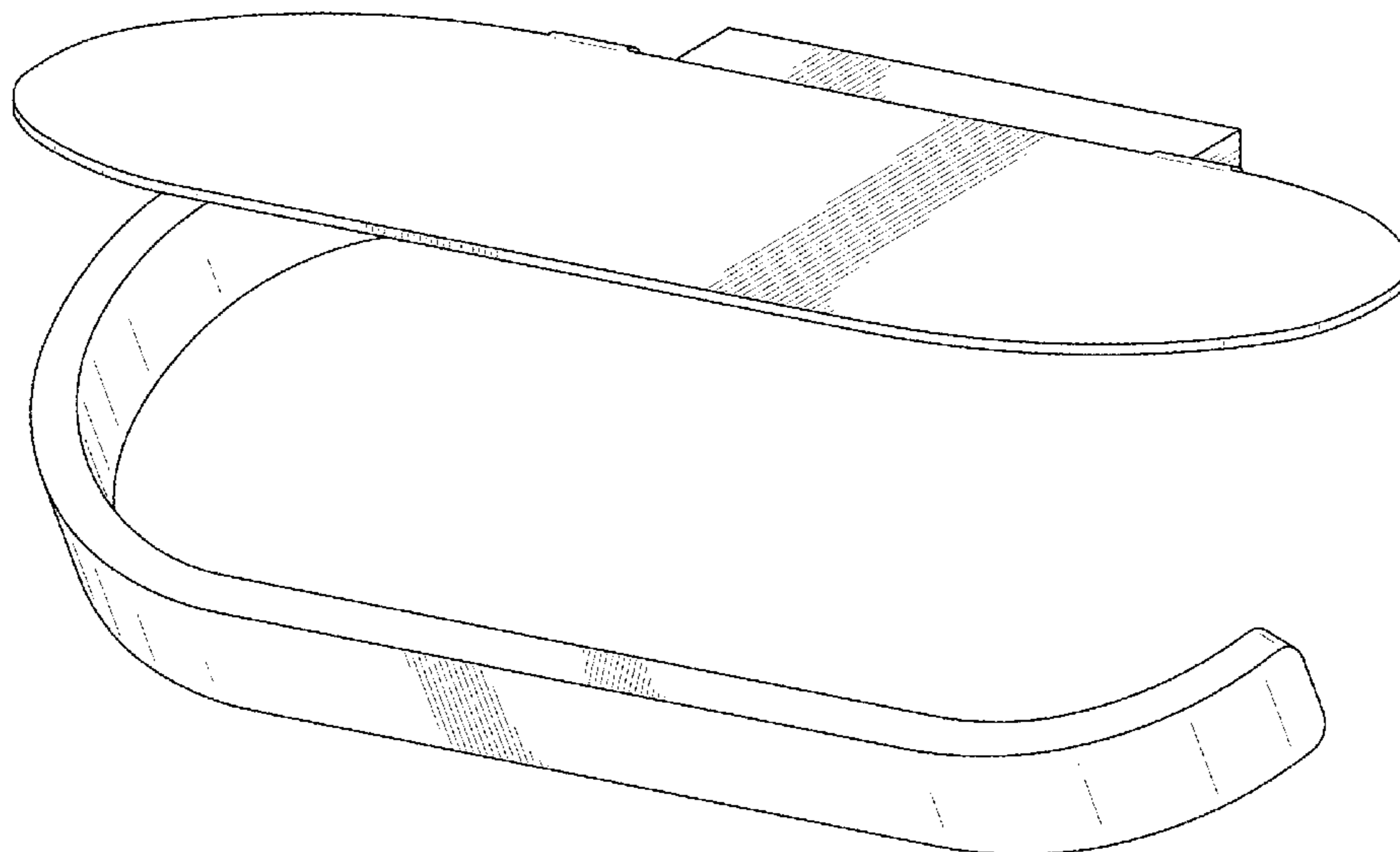
FIG. 5 is a right side view of the paper holder with cover of FIG. 1.

FIG. 6 is a top view of the paper holder with cover of FIG. 1; and,

FIG. 7 is a bottom view of the paper holder with cover of FIG. 1.

The broken lines show portions of the paper holder with cover that form no part of the claimed design.

1 Claim, 7 Drawing Sheets



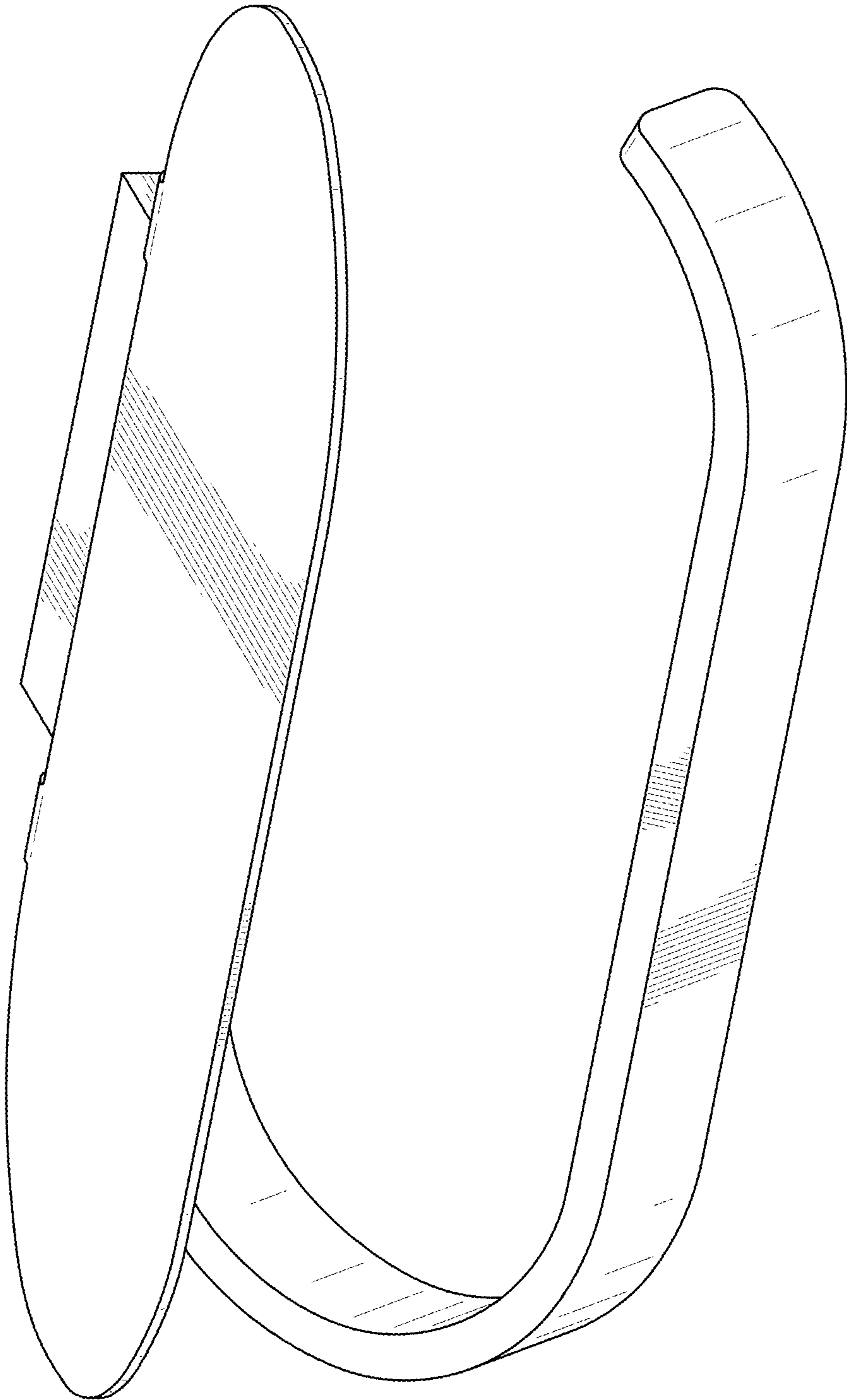


FIG.1

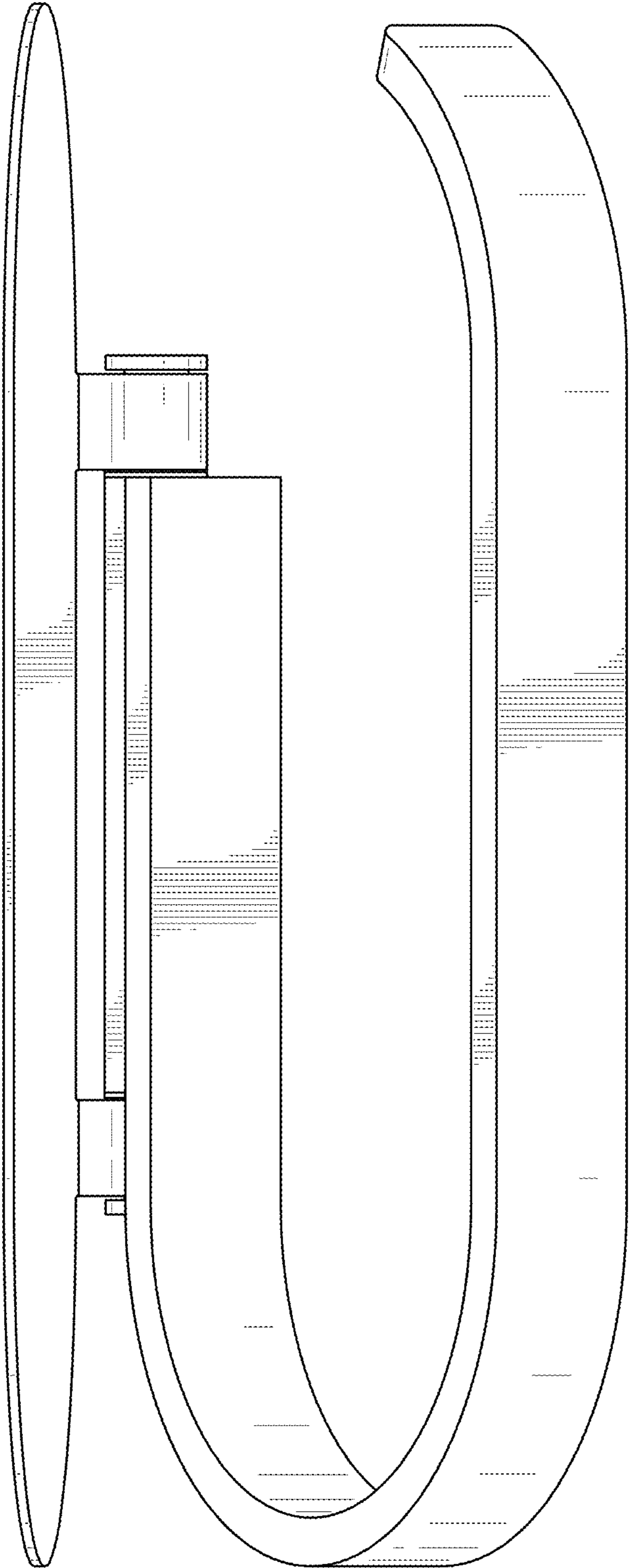


FIG.2

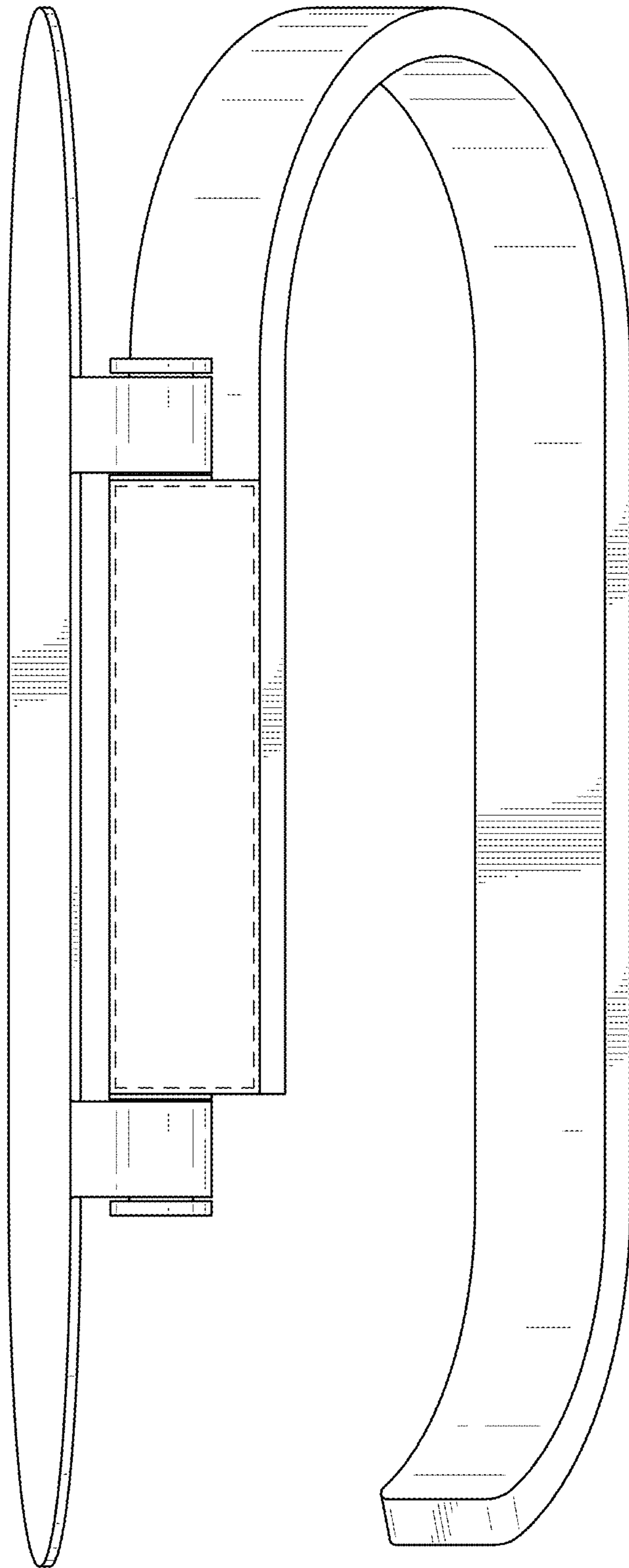


FIG.3

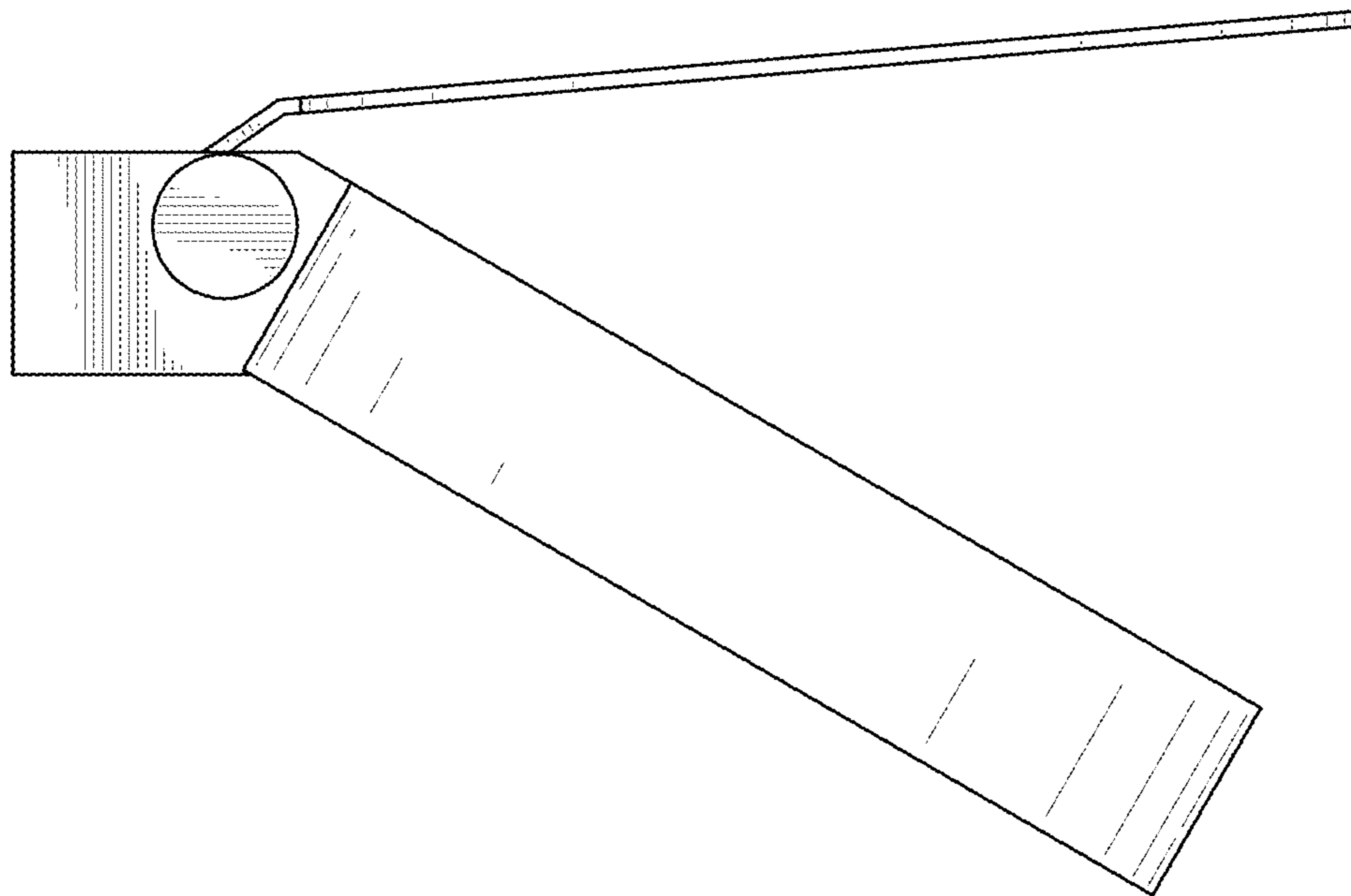


FIG.4

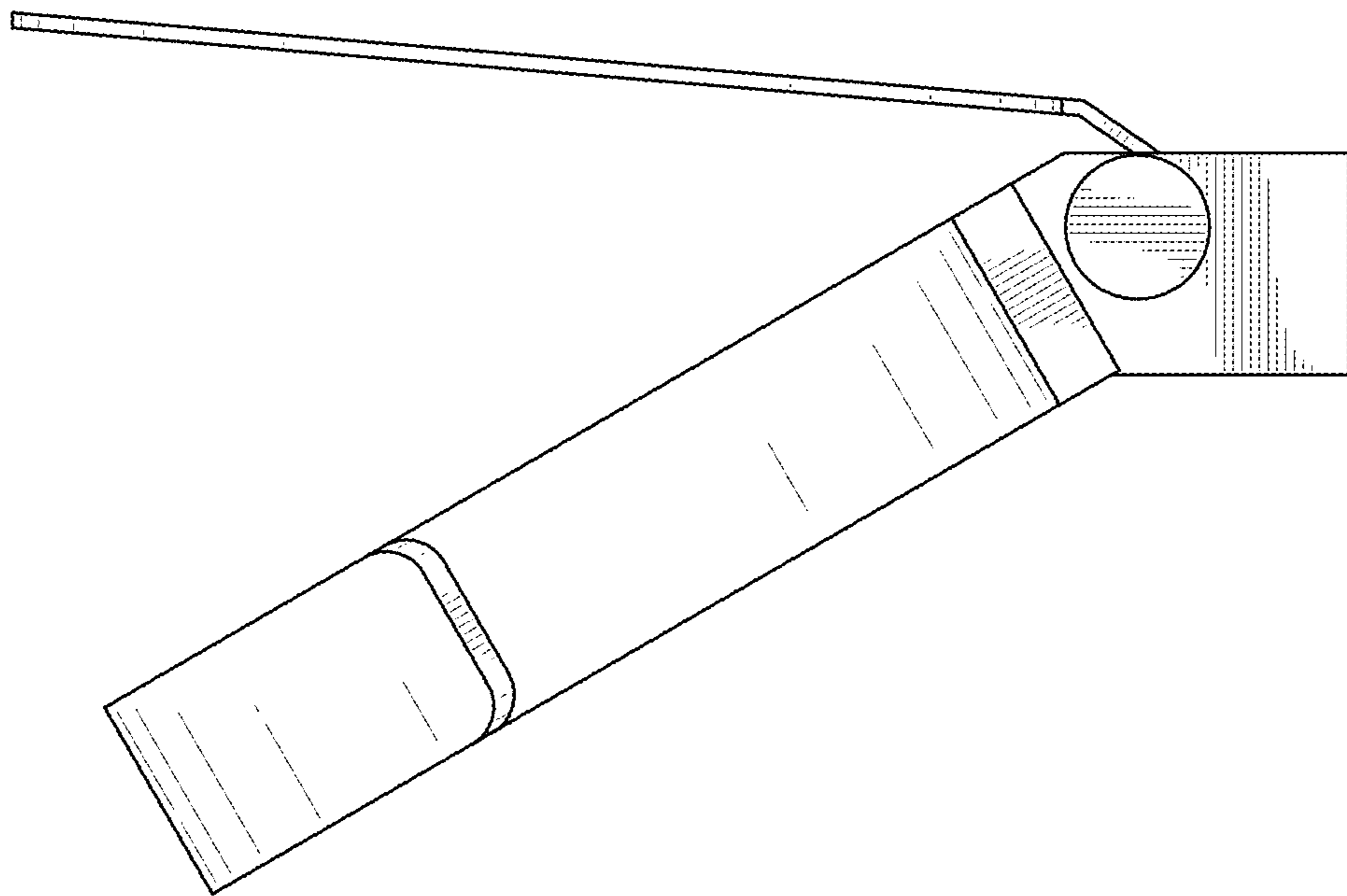


FIG.5

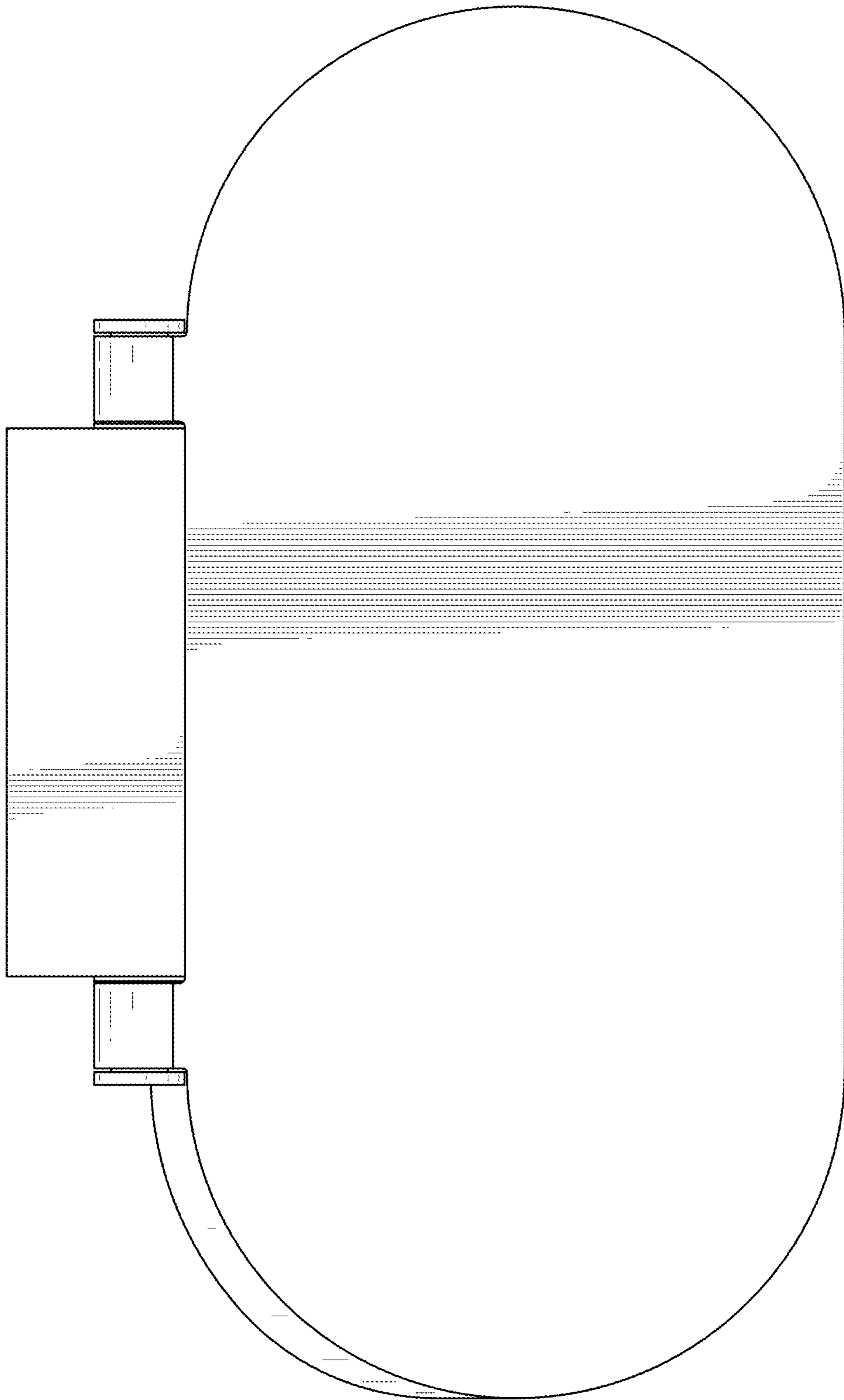


FIG.6

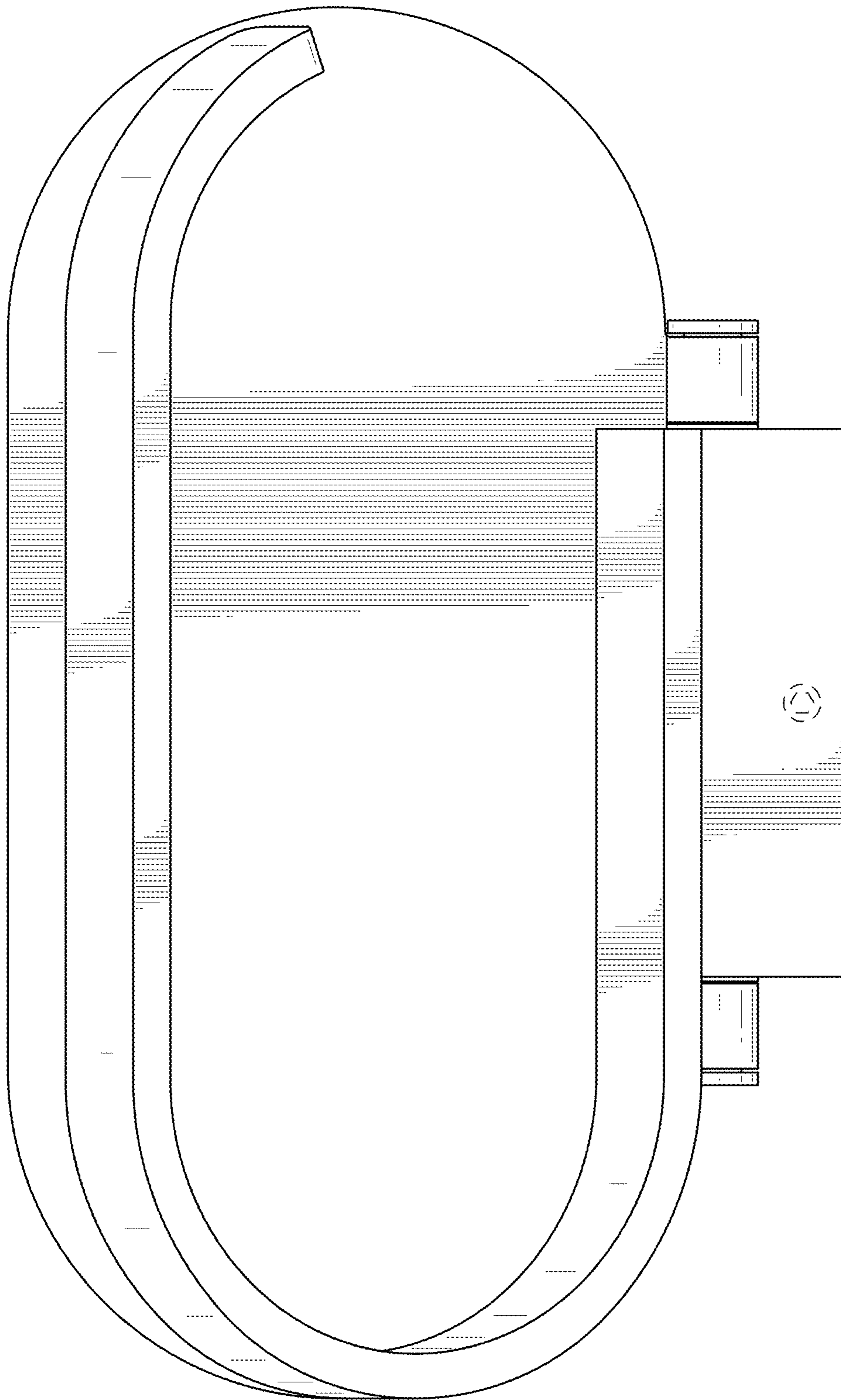


FIG.7