



US00D965338S

(12) **United States Design Patent** (10) **Patent No.:** **US D965,338 S**
Holzmann et al. (45) **Date of Patent:** **** Oct. 4, 2022**

(54) **TOILET PAPER DISPENSER**

(56) **References Cited**

(71) Applicant: **Bradley Corporation**, Menomonee Falls, WI (US)

U.S. PATENT DOCUMENTS

(72) Inventors: **Simon Holzmann**, Zorneding (DE); **Stefan Hillenmayer**, Munich (DE); **Ning Zhou**, Munich (DE); **Maximilian Schneider**, Münche (DE); **Laura Beth Stang**, Mukwonago, WI (US); **Vincenz Marschall**, Munich (DE)

D385,734 S	*	11/1997	Mervar	D6/522
D408,184 S	*	4/1999	Tramontina	D6/518
D445,284 S	*	7/2001	Chen	D6/545
D530,555 S		10/2006	Karraker et al.	
D580,596 S	*	11/2008	Hsu	D28/54.1
D615,329 S		5/2010	Meyerhoffer	
D615,330 S	*	5/2010	Meyerhoffer	D6/518
D616,683 S		6/2010	Law et al.	
D620,294 S	*	7/2010	Ma	D6/567

(73) Assignee: **Bradley Corporation**, Menomonee Falls, WI (US)

(Continued)

(**) Term: **15 Years**

Primary Examiner — Nathan M Johnston

(21) Appl. No.: **29/728,365**

(74) *Attorney, Agent, or Firm* — Boyle Fredrickson, S.C.

(22) Filed: **Mar. 18, 2020**

(57) **CLAIM**

Related U.S. Application Data

(63) Continuation-in-part of application No. 29/708,036, filed on Oct. 2, 2019.

The ornamental design for a toilet paper dispenser, substantially as shown and described.

(51) **LOC (13) Cl.** **23-02**

DESCRIPTION

(52) **U.S. Cl.** **D6/523**

(58) **Field of Classification Search**

USPC D6/518–523, 515; D3/201; 206/389, 206/391, 407, 409; 312/34.1, 34.8; 211/16, 85.5, 59.2; 221/92, 97, 185, 282, 221/284; 242/159, 160.2, 550, 560, 590, 242/594, 59, 588, 598, 598.3, 598.65

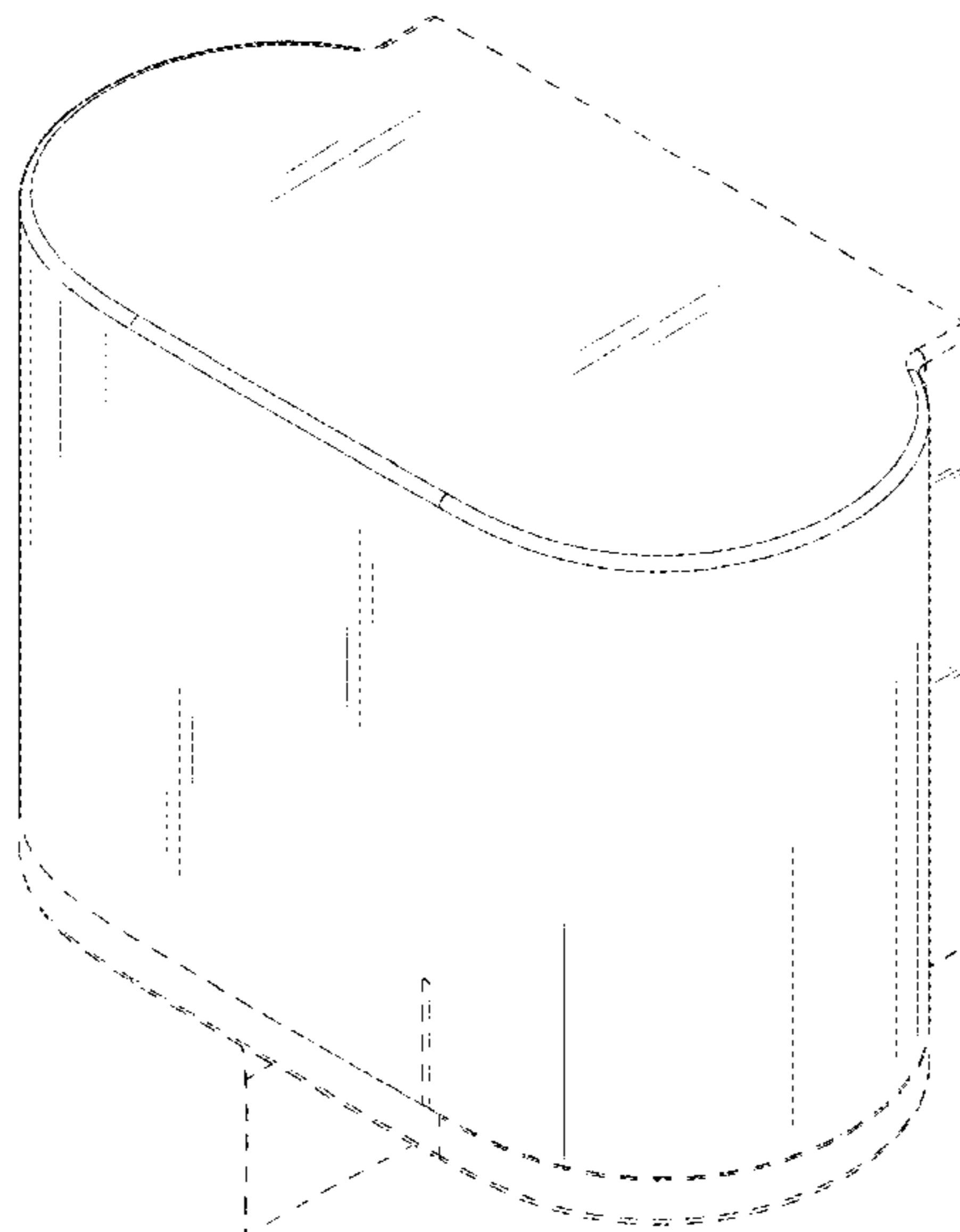
CPC A47K 10/3836; A47K 10/38; A47K 2010/3863; A47K 2010/3253; A47K 10/36; A47K 10/40; A47K 10/22; A47K 10/32; A47K 10/34; A47K 10/3687; A47K 10/3827; A47K 10/3818; A47K 10/405; A47K 2010/3246; A47K 2010/326

FIG. 1 is a front, raised perspective view of a toilet paper dispenser according to the invention;
 FIG. 2 is a front view of the toilet paper dispenser of FIG. 1;
 FIG. 3 is a rear view of the toilet paper dispenser of FIG. 1;
 FIG. 4 is a right side view of the toilet paper dispenser of FIG. 1;
 FIG. 5 is a left side view of the toilet paper dispenser of FIG. 1;
 FIG. 6 is a top view of the toilet paper dispenser of FIG. 1;
 FIG. 7 is a bottom view of the toilet paper dispenser of FIG. 1; and,
 FIG. 8 is a front, lowered perspective view of the toilet paper dispenser of FIG. 1.

The broken-lines are used to illustrate portion of the toilet paper dispenser or environmental subject matter that form no part of the claimed design.

See application file for complete search history.

1 Claim, 7 Drawing Sheets



(56)

References Cited

U.S. PATENT DOCUMENTS

D623,452 S * 9/2010 McNeely D6/518
D624,340 S 9/2010 Benedetti
D634,142 S 3/2011 Meyerhoffer
D634,953 S 3/2011 Meyerhoffer
D641,578 S 7/2011 Meyerhoffer
D648,585 S 11/2011 Meyerhoffer
D653,888 S 2/2012 Velazquez et al.
D687,653 S 8/2013 Giovannoni
D703,463 S 4/2014 Giovannoni
D726,443 S 4/2015 Giovannoni
D726,444 S 4/2015 Giovannoni
D726,445 S 4/2015 Giovannoni
D748,408 S * 2/2016 Toumazou D6/544
D790,873 S 7/2017 Ku et al.
D796,866 S 9/2017 Johnson
D796,867 S 9/2017 Johnson
D796,868 S 9/2017 Johnson
D809,819 S 2/2018 Johnson
D811,120 S 2/2018 Johnson
D830,636 S 10/2018 Loong
D840,171 S 2/2019 Buell et al.
D840,712 S 2/2019 Buell et al.
D840,713 S 2/2019 Buell et al.
D855,348 S 8/2019 Buell et al.
D869,193 S 12/2019 Peterson
D871,672 S 12/2019 Hongfei
D888,458 S * 6/2020 Orban D6/518
D926,490 S * 8/2021 Stang D6/542
D927,217 S * 8/2021 Holzmann D6/522
D927,885 S * 8/2021 Holzmann D6/542
2018/0035850 A1 * 2/2018 Larsson A47K 10/424

* cited by examiner

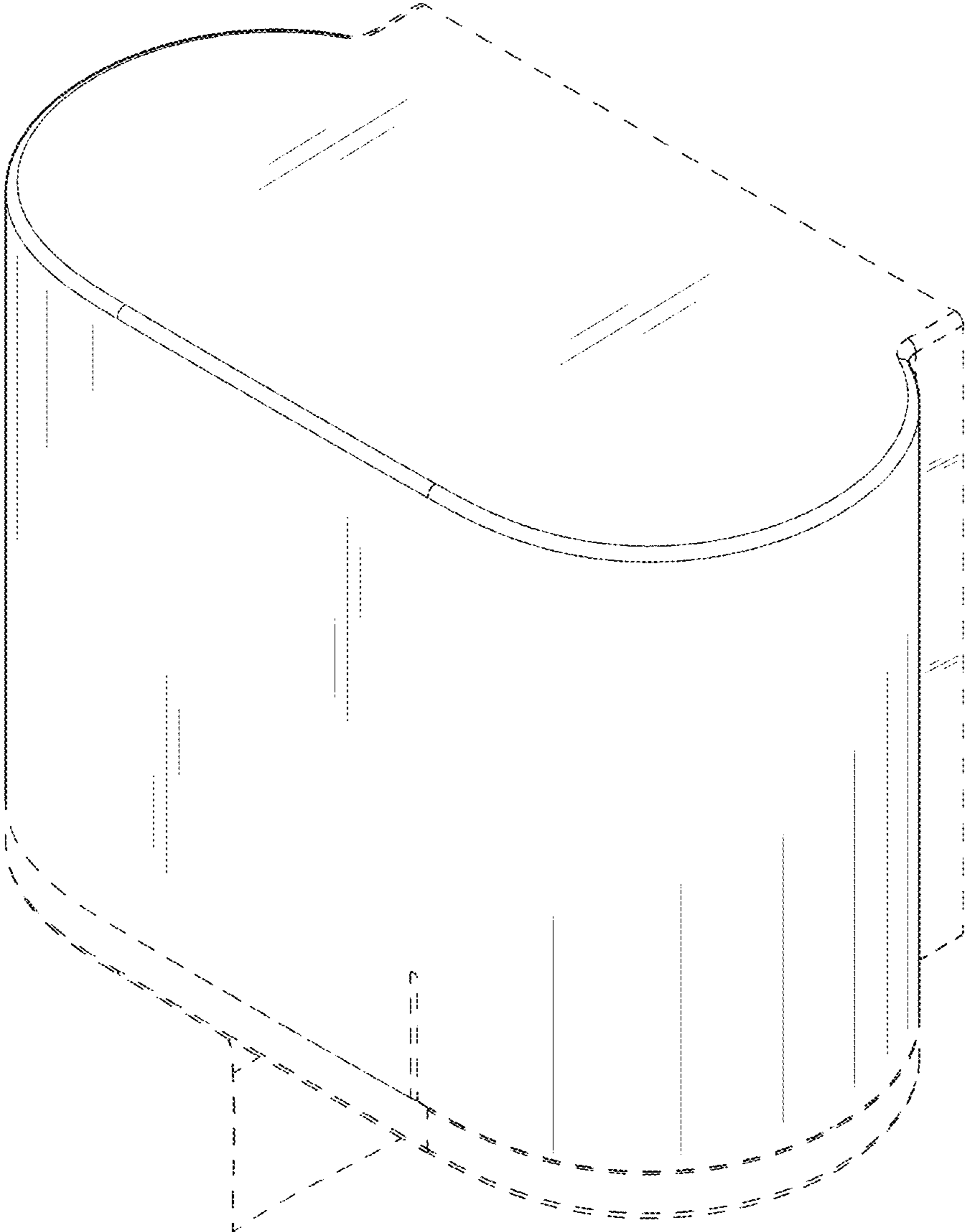


FIG. 1

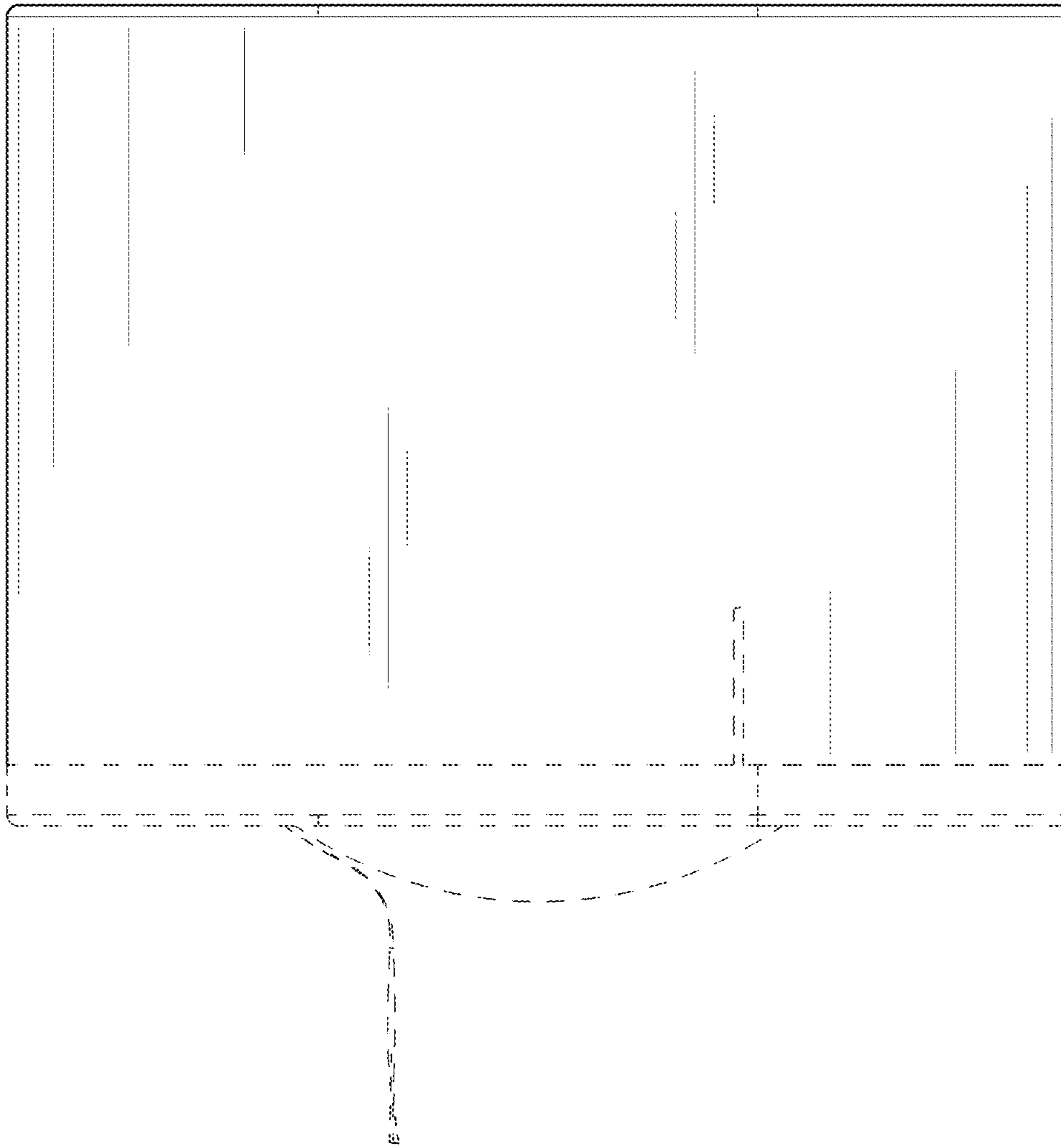


FIG. 2

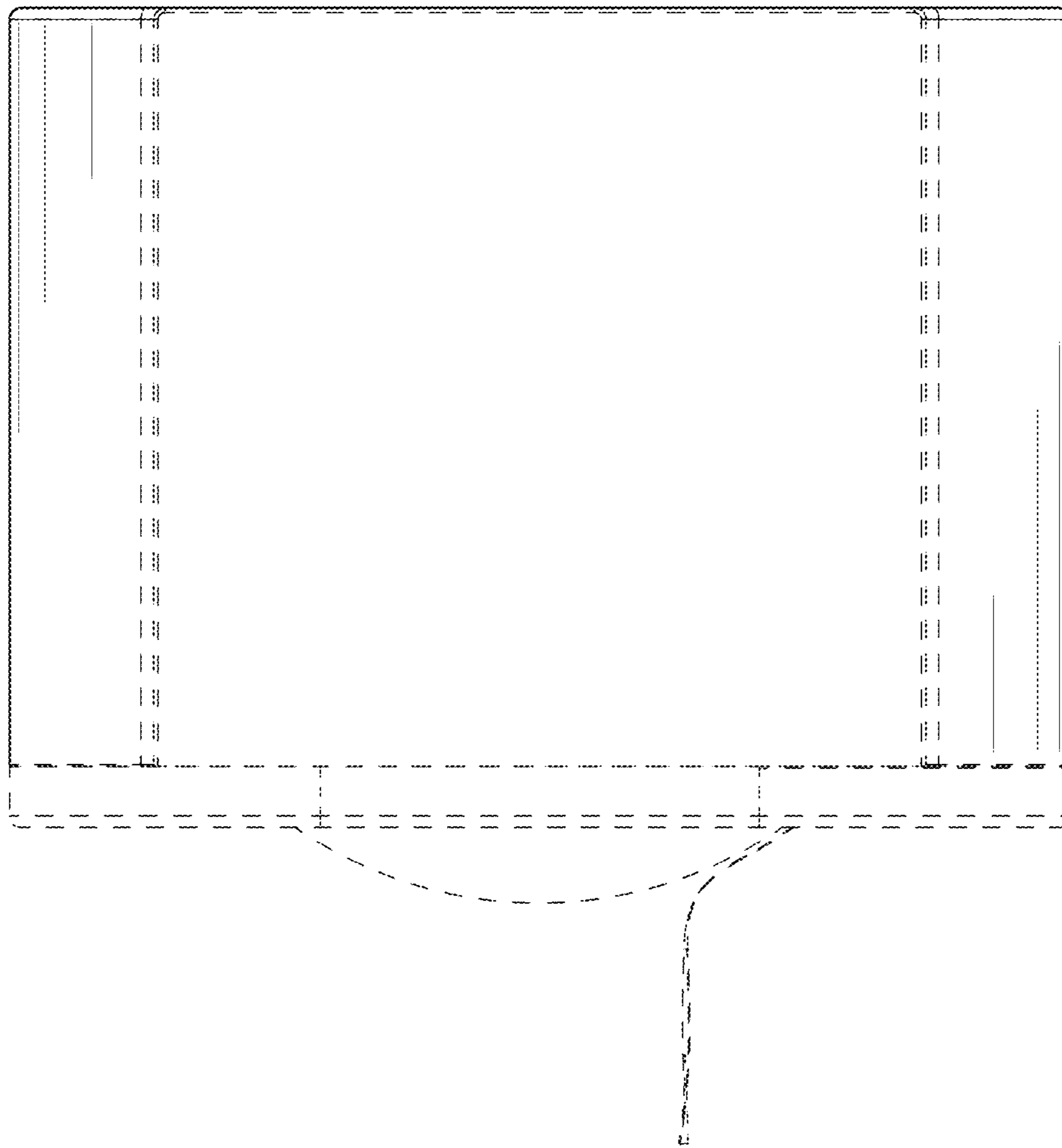


FIG. 3

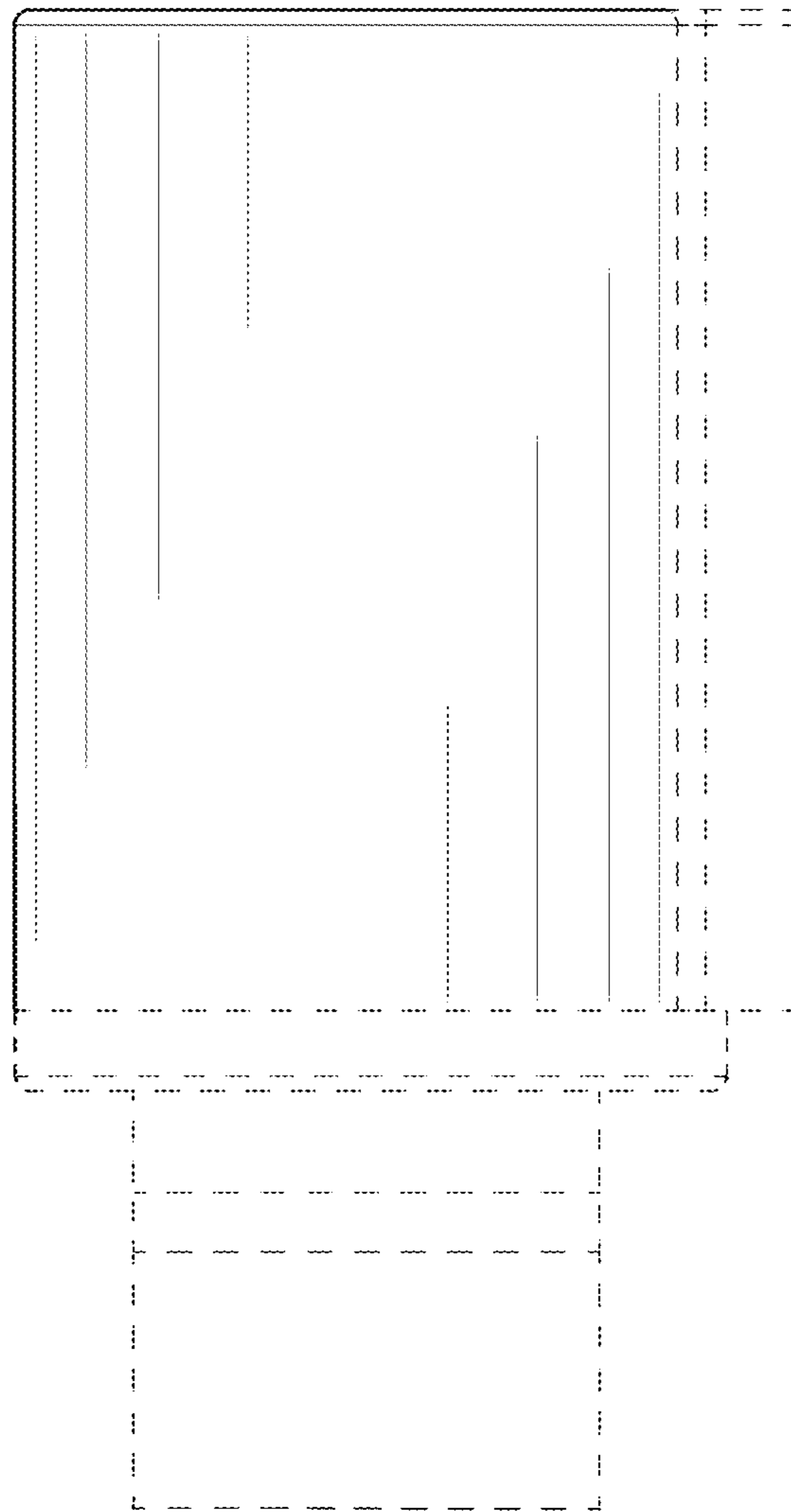


FIG. 4

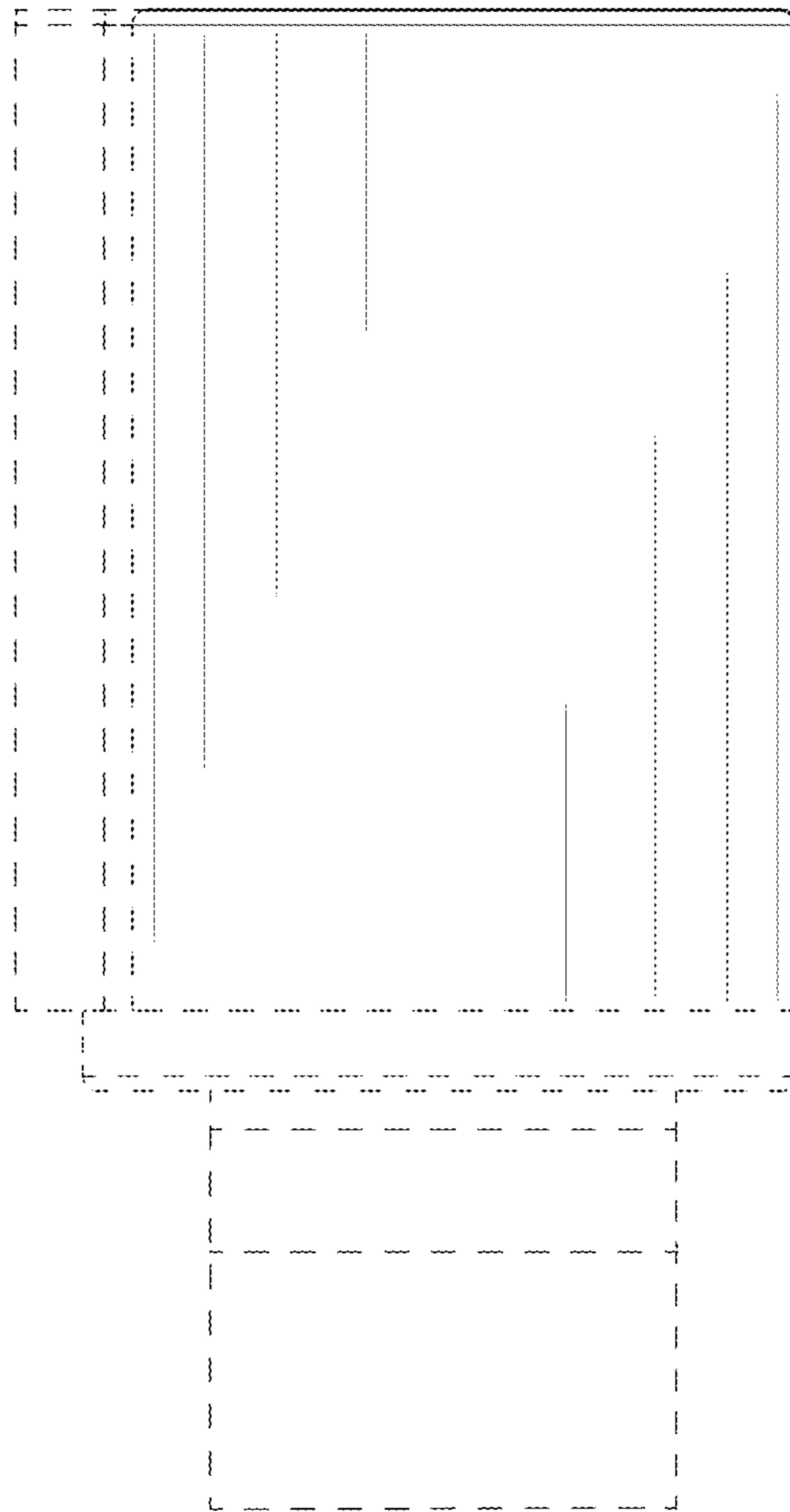


FIG. 5

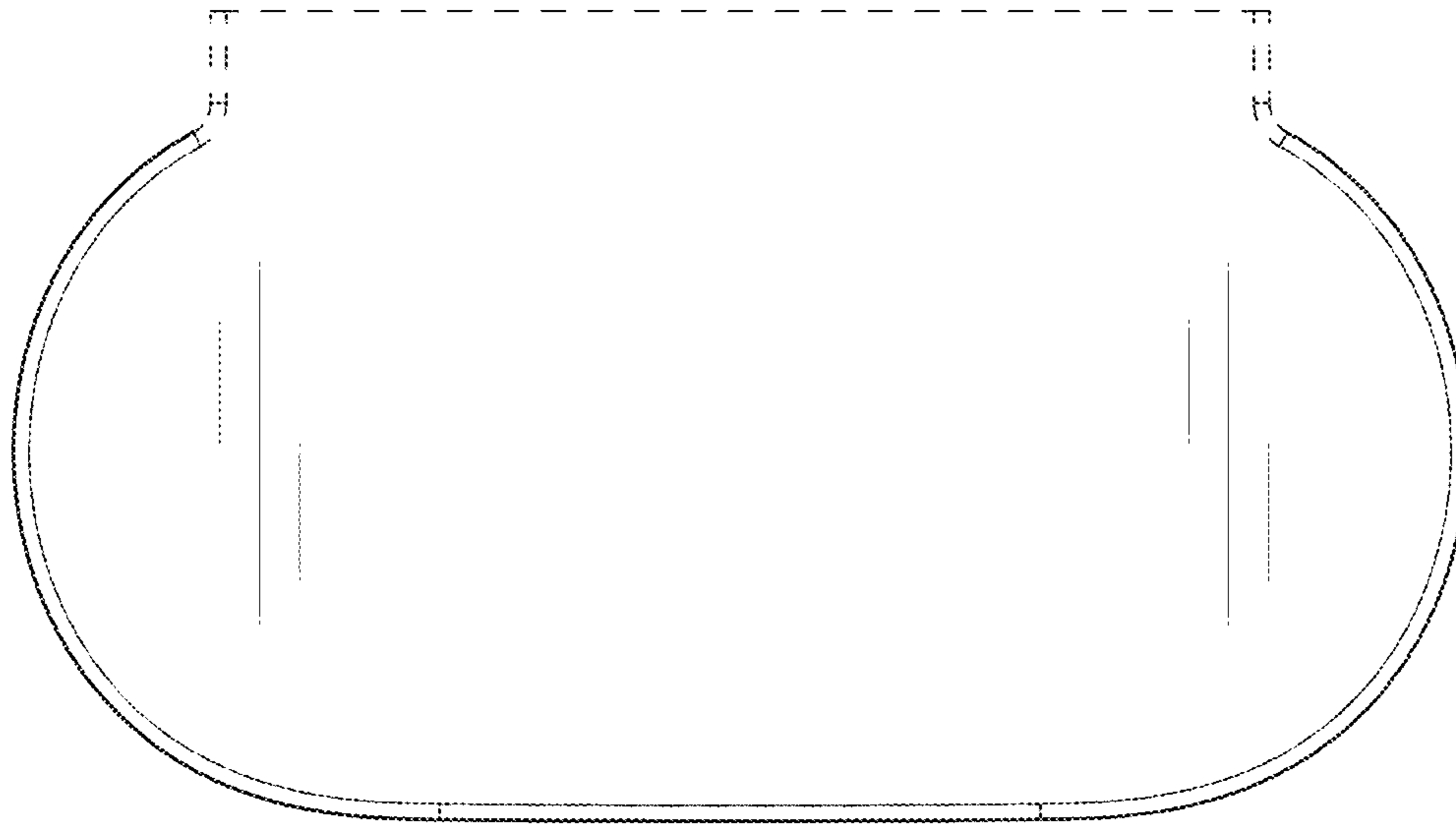


FIG. 6

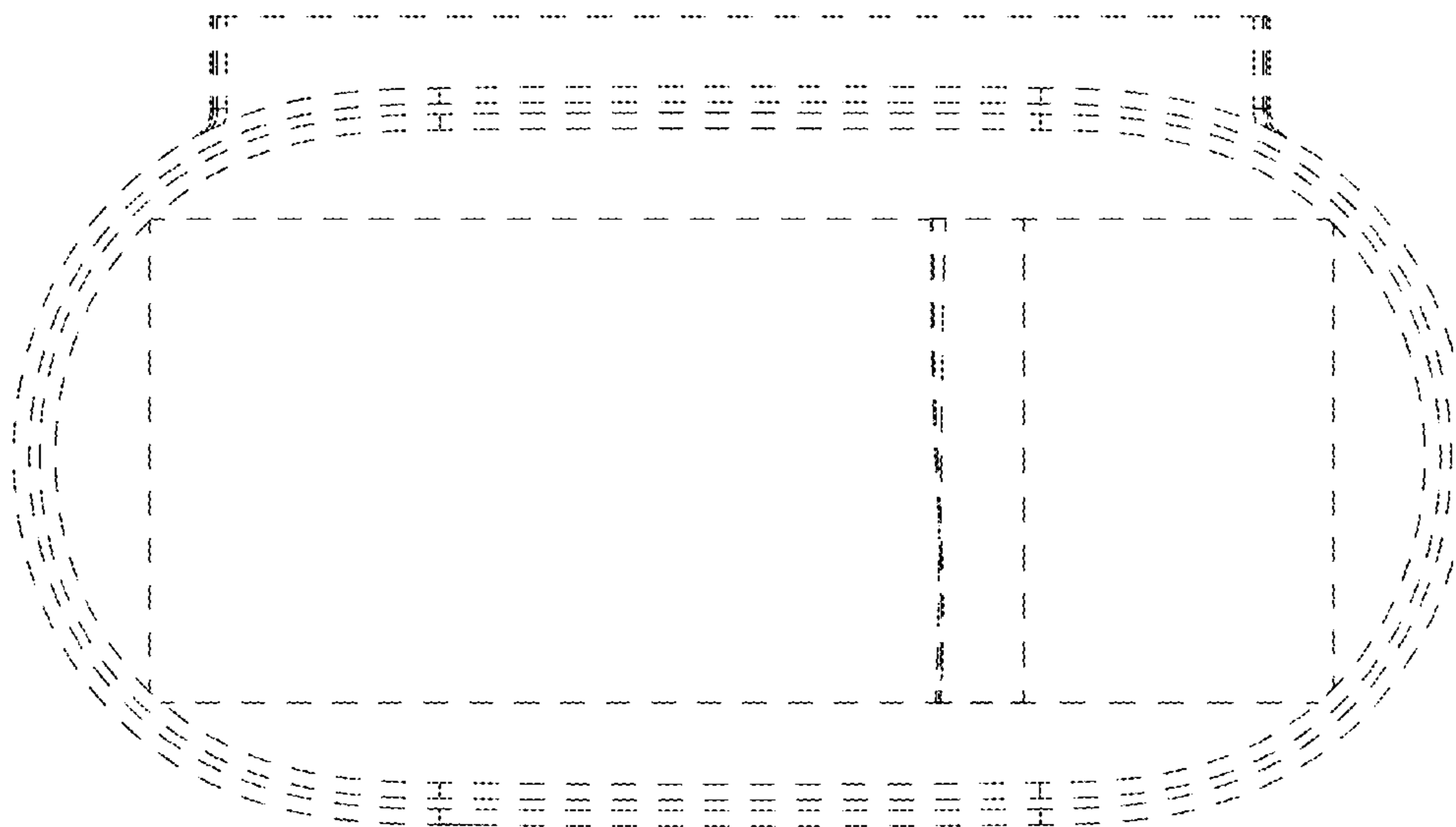


FIG. 7

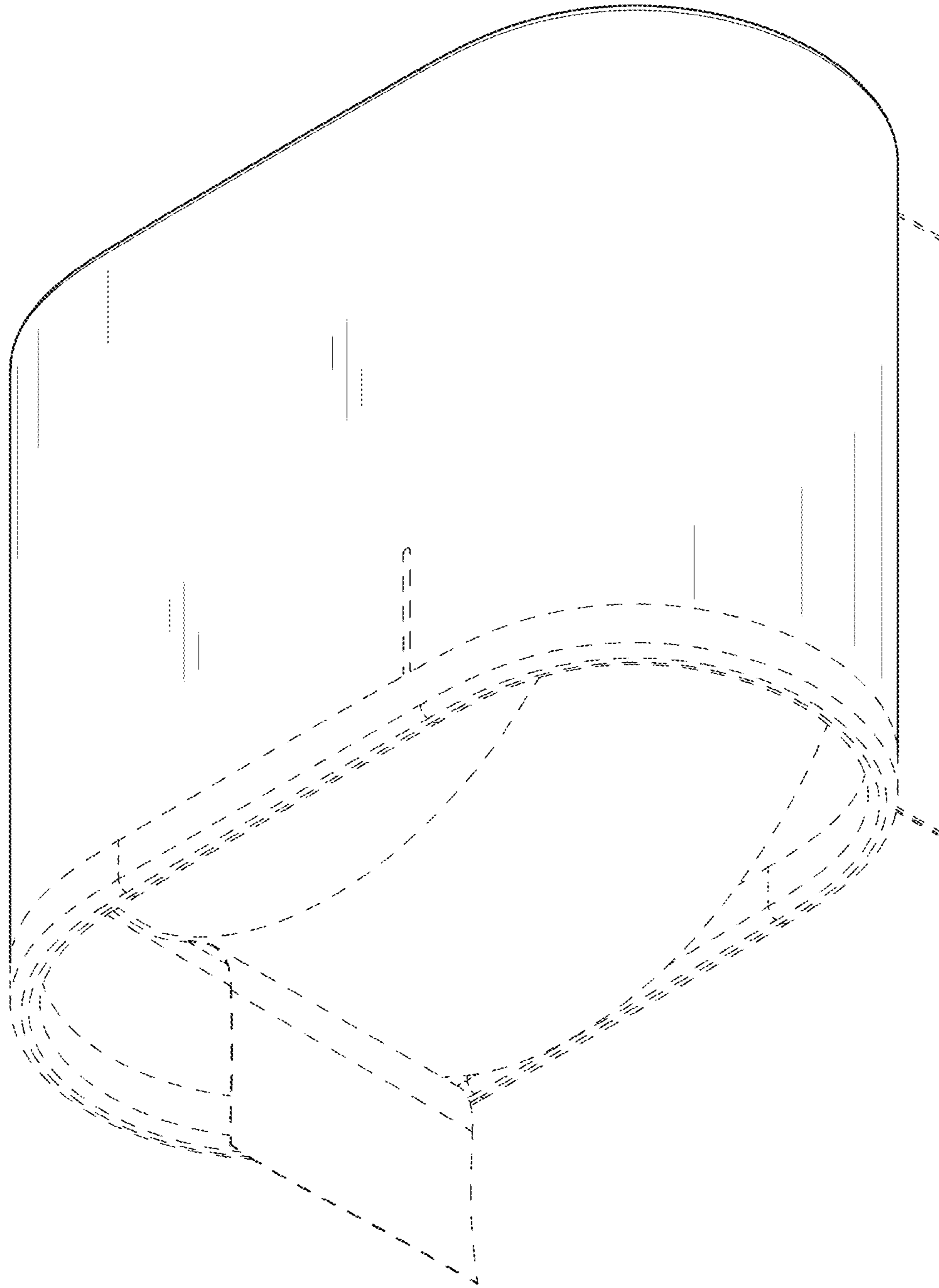


FIG. 8