



US00D965337S

(12) **United States Design Patent** (10) **Patent No.:** **US D965,337 S**
Zhou (45) **Date of Patent:** **** Oct. 4, 2022**

(54) **PAPER TOWEL HOLDER**
(71) Applicant: **Jiankang Zhou**, Tongren (CN)
(72) Inventor: **Jiankang Zhou**, Tongren (CN)
(**) Term: **15 Years**

D486,333 S * 2/2004 Hoernig D6/521
D518,985 S * 4/2006 Yang D6/521
D570,143 S * 6/2008 Bigelow D6/520
D596,433 S 7/2009 Brewster
D626,771 S * 11/2010 Shek D6/521
D758,755 S 6/2016 Goodman et al.
D859,029 S * 9/2019 Mariano D6/522
D930,387 S * 9/2021 Liang D6/522

(21) Appl. No.: **29/836,696**
(22) Filed: **Apr. 28, 2022**
(51) **LOC (13) Cl.** **06-04**
(52) **U.S. Cl.**
USPC **D6/522**
(58) **Field of Classification Search**
USPC D6/518-522; 248/309.1, 309.2;
211/13.1, 45.59, 89.01; 206/389, 391;
242/590, 597.7
CPC A47K 10/04; A47K 10/10; A47K 10/3836;
A47K 2010/324; A47K 2010/389; B08B
1/006
See application file for complete search history.

OTHER PUBLICATIONS

Amazon.com, SITANES Paper Towel Holder, Dec. 20, 2021, <https://www.amazon.com/SITANES-Holder-Single-Operable-Damping-Bathroom/dp/B09NVMJ1FQ/> (Year: 2021).*

* cited by examiner

Primary Examiner — Nathan M Johnston
(74) *Attorney, Agent, or Firm* — Jeenam Park

(57) **CLAIM**

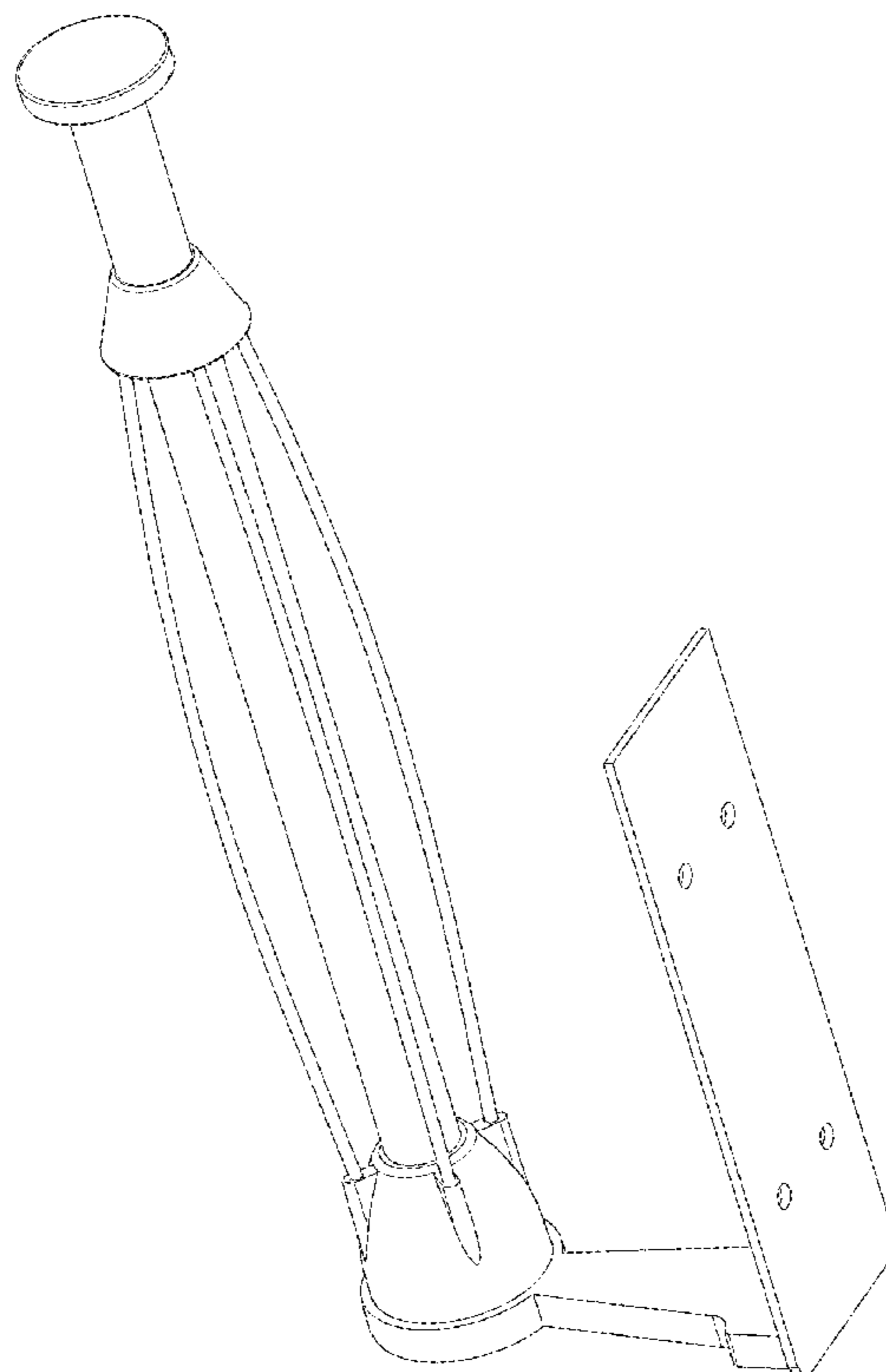
The ornamental design for a paper towel holder, as shown and described.

DESCRIPTION

FIG. 1 is a perspective view of a paper towel holder, showing my new design;
FIG. 2 is a front view thereof;
FIG. 3 is a rear view thereof;
FIG. 4 is a left side view thereof;
FIG. 5 is a right side view thereof;
FIG. 6 is a top plan view thereof; and,
FIG. 7 is a bottom plan view thereof.

1 Claim, 7 Drawing Sheets

(56) **References Cited**
U.S. PATENT DOCUMENTS
2,592,571 A * 4/1952 Huntington A47K 10/3836
242/422.4
3,346,208 A * 10/1967 Hoffman B65H 75/08
242/597.5
D277,622 S * 2/1985 Servadio D6/521
D298,290 S * 11/1988 Wilkerson D6/521
D386,638 S * 11/1997 Fong D6/518
D398,466 S * 9/1998 Odom D6/521
D477,730 S * 7/2003 Hoernig D6/521



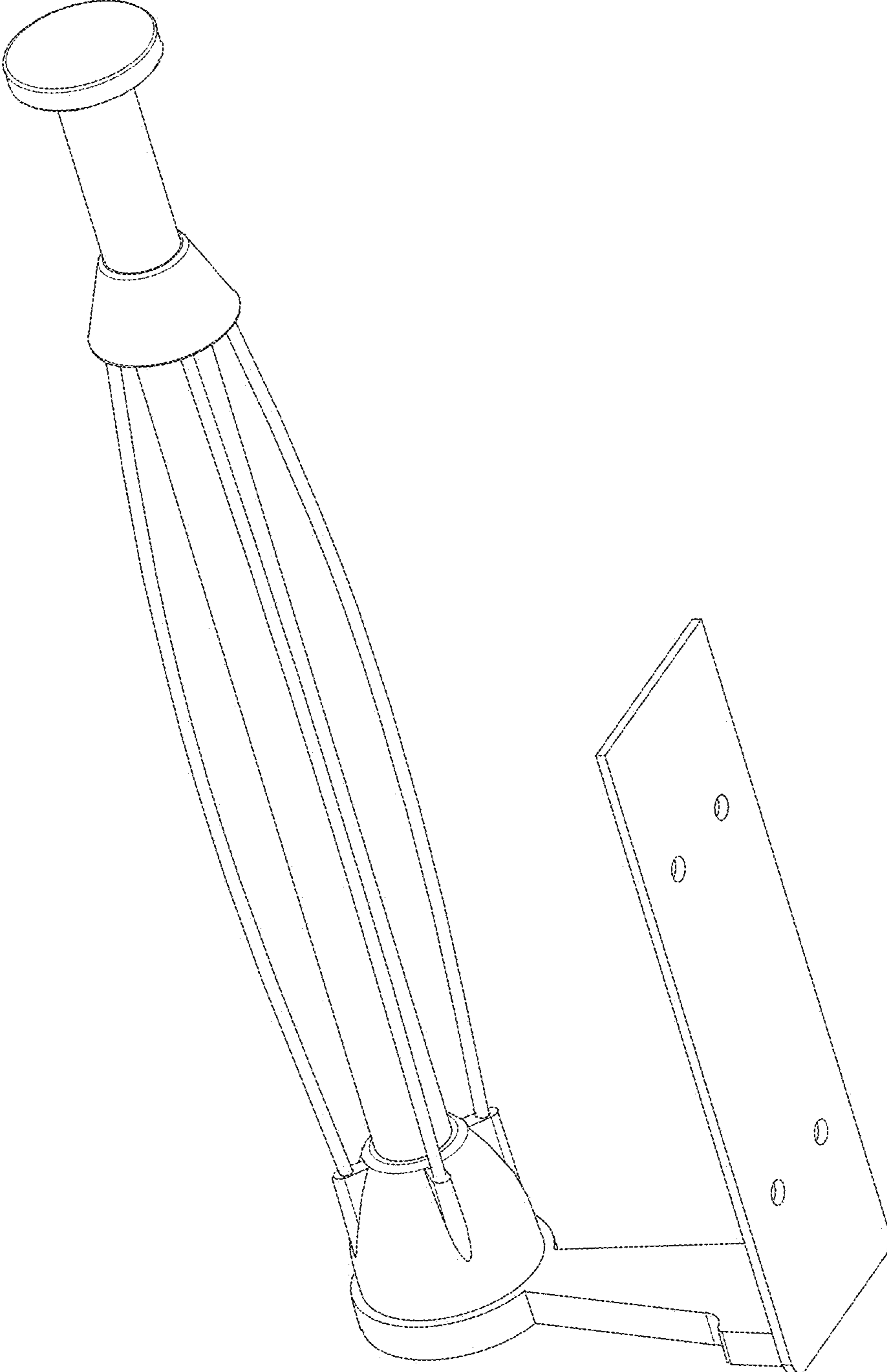


FIG. 1

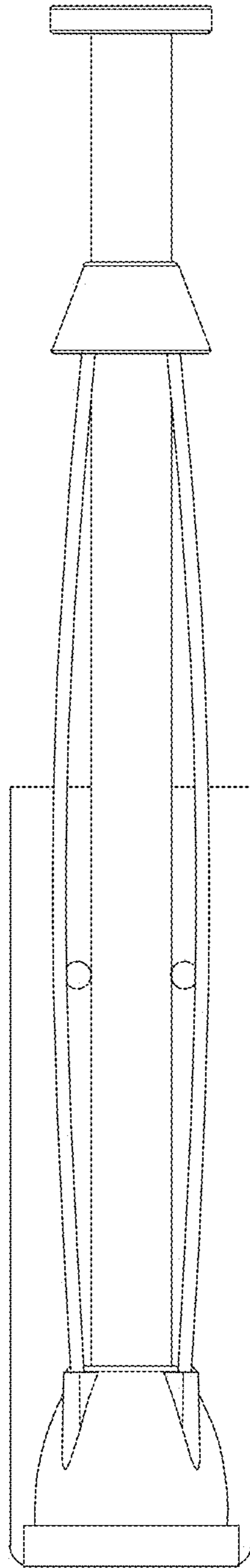


FIG. 2

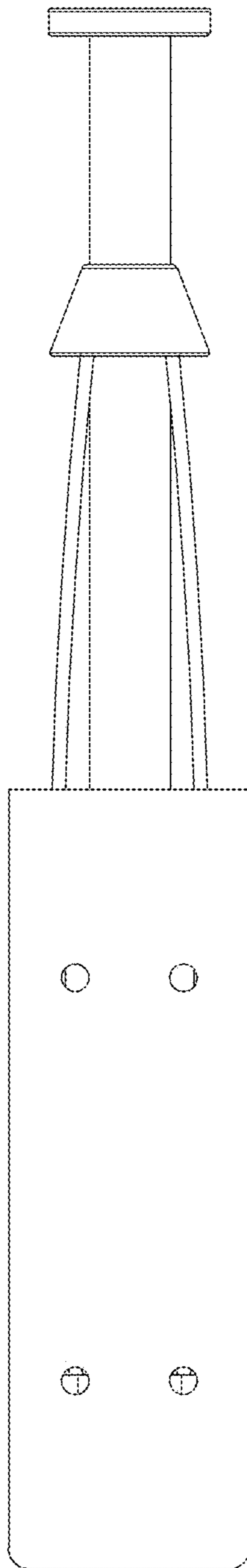


FIG. 3

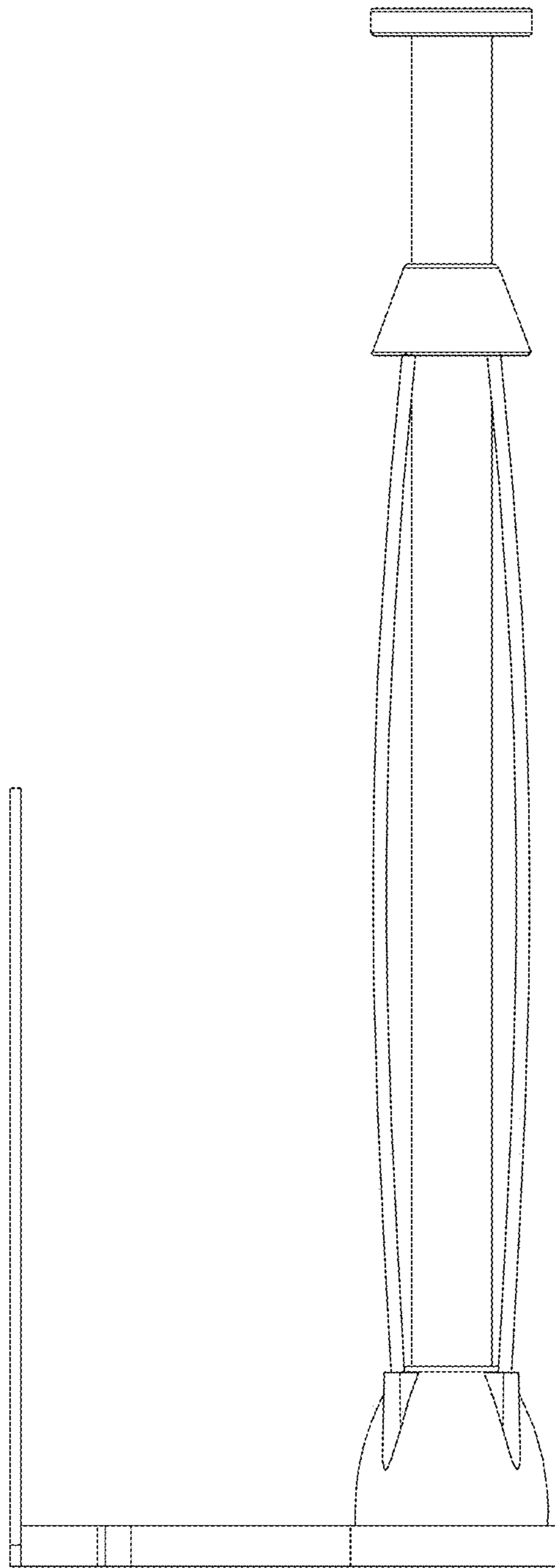


FIG. 4

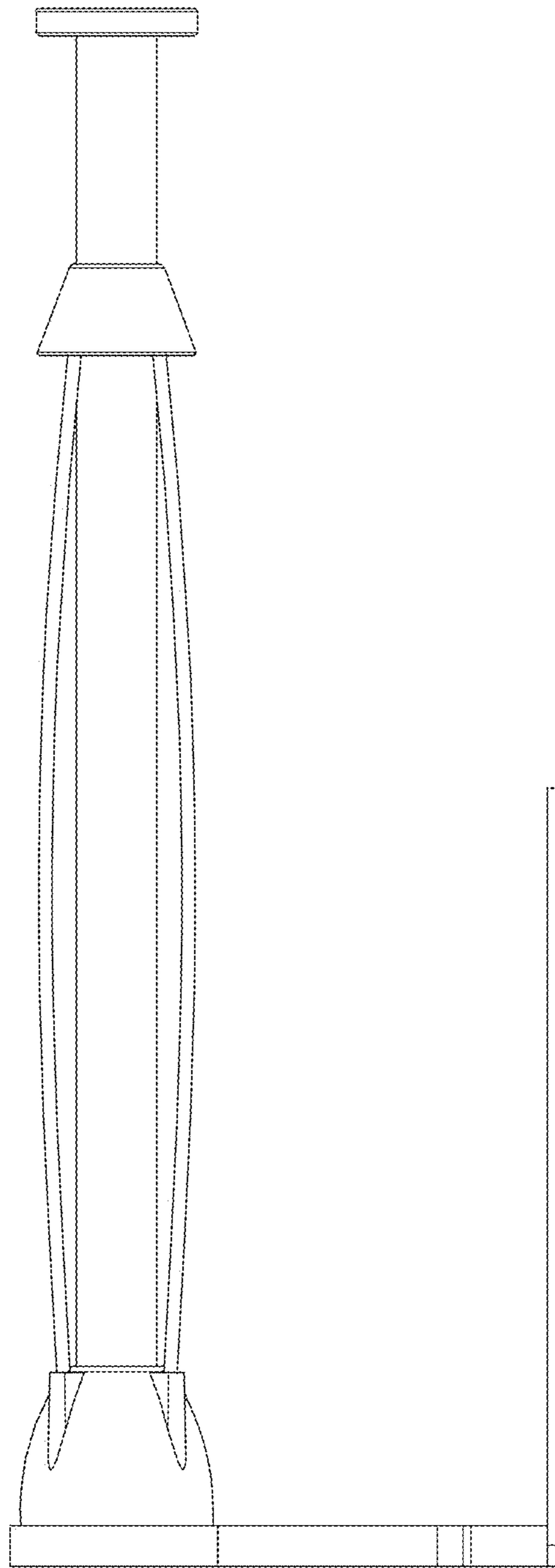


FIG. 5

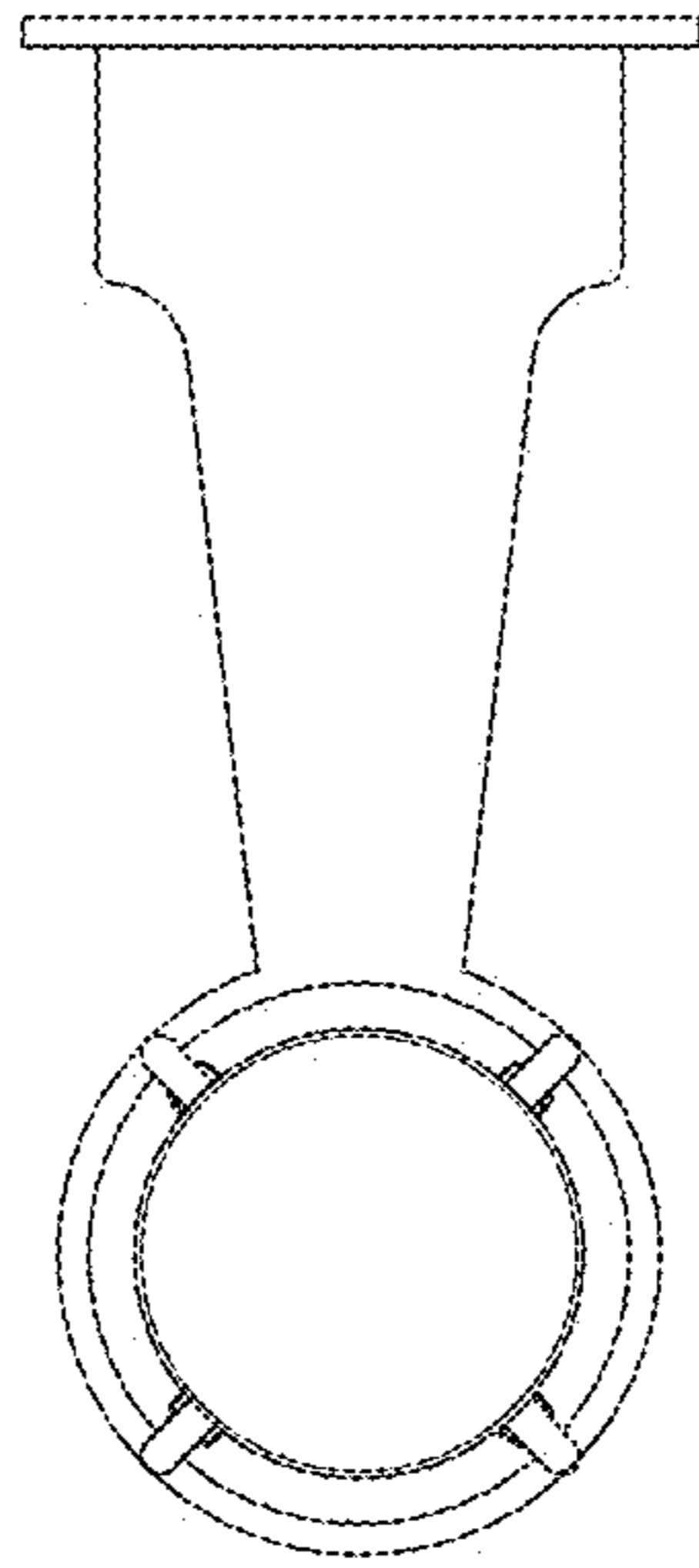


FIG. 6

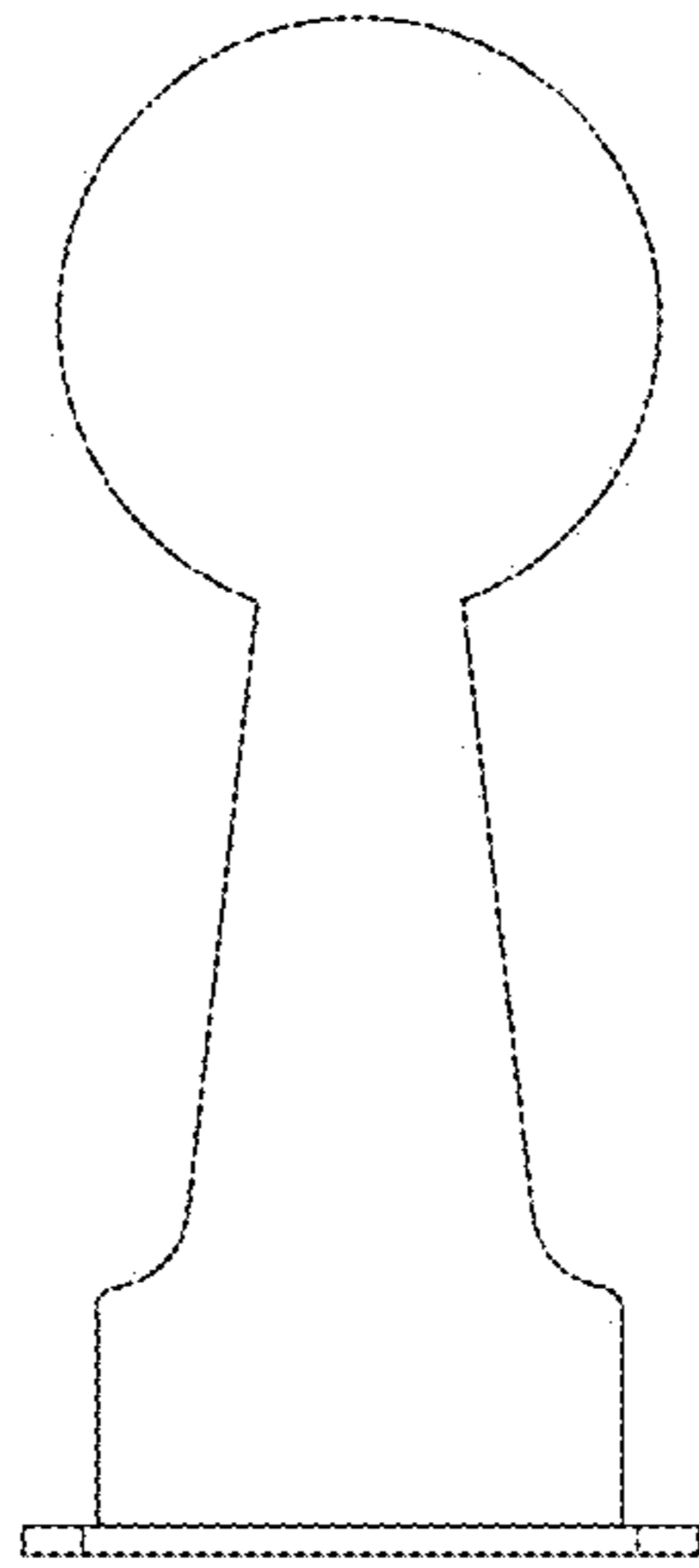


FIG. 7