

US00D965336S

(12) **United States Design Patent**
Holzmann et al.

(10) **Patent No.:** **US D965,336 S**

(45) **Date of Patent:** **** Oct. 4, 2022**

- (54) **COMBINATION UNIT**
- (71) Applicant: **Bradley Corporation**, Menomonee Falls, WI (US)
- (72) Inventors: **Simon Holzmann**, Zorneding (DE); **Stefan Hillenmayer**, Munich (DE); **Ning Zhou**, Munich (DE); **Laura Beth Stang**, Mukwonago, WI (US)
- (73) Assignee: **Bradley Corporation**, Menomonee Falls, WI (US)

D624,340 S	9/2010	Benedetti	
D627,122 S	11/2010	Meyerhoffer	
D634,142 S	3/2011	Meyerhoffer	
D634,953 S	3/2011	Meyerhoffer	
D635,319 S	3/2011	Meyerhoffer	
D641,578 S	7/2011	Meyerhoffer	
D648,585 S	11/2011	Meyerhoffer	
D653,888 S	2/2012	Velazquez et al.	
D655,959 S *	3/2012	Kluck	D6/519
D655,960 S *	3/2012	Kluck	D6/519
D665,608 S *	8/2012	Fodor	D6/519
D685,209 S *	7/2013	Hagleitner	D6/519
D686,840 S	7/2013	Mackay	
D687,653 S	8/2013	Giovannoni	

(Continued)

(**) Term: **15 Years**

Primary Examiner — Nathan M Johnston

(21) Appl. No.: **29/728,354**

(74) *Attorney, Agent, or Firm* — Boyle Fredrickson, S.C.

(22) Filed: **Mar. 18, 2020**

(57) **CLAIM**

(51) **LOC (13) Cl.** **23-02**

The ornamental design for a combination unit, substantially as shown and described.

(52) **U.S. Cl.**

USPC **D6/519**

(58) **Field of Classification Search**

USPC D6/515-524; D34/1, 11; 211/13.1, 211/71.01, 85.19, 88.01; 221/33, 45, 221/282-283; 248/905; 312/34.1, 34.4

CPC A47K 10/46; A47K 10/32; E05B 1/0069; B65D 83/08; B65D 83/00; A47B 81/002; A47B 96/00; A47F 5/08

See application file for complete search history.

DESCRIPTION

FIG. 1 is a front, raised perspective view of a combination unit including both a towel dispenser and a waste receptacle according to the invention;

FIG. 2 is a front view of the combination unit of FIG. 1;

FIG. 3 is a rear view of the combination unit of FIG. 1;

FIG. 4 is a right side view of the combination unit of FIG. 1;

FIG. 5 is a left side view of the combination unit of FIG. 1;

FIG. 6 is a top view of the combination unit of FIG. 1;

FIG. 7 is a bottom view of the combination unit of FIG. 1; and,

FIG. 8 is a front, lowered perspective view of the combination unit of FIG. 1.

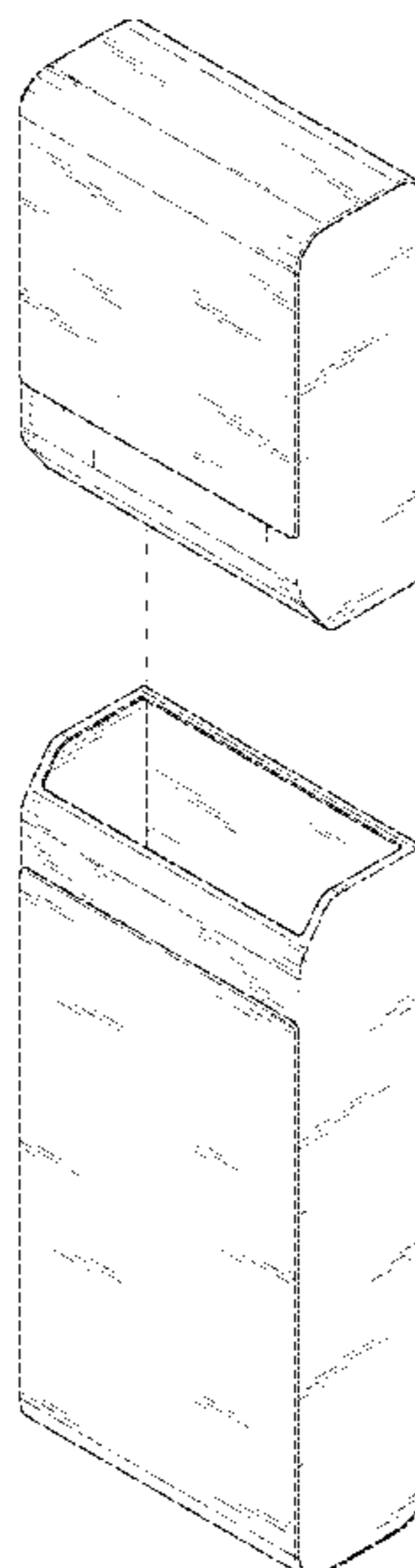
The broken-lines shown on the surface of the drawings show portions of the combination unit that form no part of the claimed design.

(56) **References Cited**

U.S. PATENT DOCUMENTS

D332,195 S *	1/1993	Hines	D34/1
D332,196 S *	1/1993	Hines	D34/1
D338,361 S *	8/1993	Hines	D6/524
D340,374 S *	10/1993	Hines	D6/519
D341,724 S *	11/1993	Hines	D6/519
D530,223 S	10/2006	Mau et al.	
D530,555 S	10/2006	Karraker et al.	
D615,329 S	5/2010	Meyerhoffer	
D616,683 S	6/2010	Law et al.	

1 Claim, 7 Drawing Sheets



(56)

References Cited

U.S. PATENT DOCUMENTS

D696,041	S	12/2013	Mackay	
D703,463	S	4/2014	Giovannoni	
D712,611	S	9/2014	Sun Ting Kung et al.	
D712,678	S *	9/2014	Hagleitner	D6/519
D726,443	S	4/2015	Giovannoni	
D726,444	S	4/2015	Giovannoni	
D726,445	S	4/2015	Giovannoni	
D735,489	S	8/2015	Mackay	
D743,138	S	11/2015	Sun Ting Kung et al.	
D790,873	S	7/2017	Ku et al.	
D796,866	S	9/2017	Johnson	
D796,867	S	9/2017	Johnson	
D796,868	S	9/2017	Johnson	
D809,819	S	2/2018	Johnson	
D811,120	S	2/2018	Johnson	
D830,636	S	10/2018	Loong	
D840,171	S	2/2019	Buell et al.	
D840,712	S	2/2019	Buell et al.	
D840,713	S	2/2019	Buell et al.	
D855,348	S	8/2019	Buell et al.	
D869,193	S	12/2019	Peterson	
D871,672	S	12/2019	Hongfei	
2008/0238275	A1 *	10/2008	Andersson	A47K 10/46 312/242
2010/0327000	A1 *	12/2010	Winslow	A47K 10/46 221/1

* cited by examiner

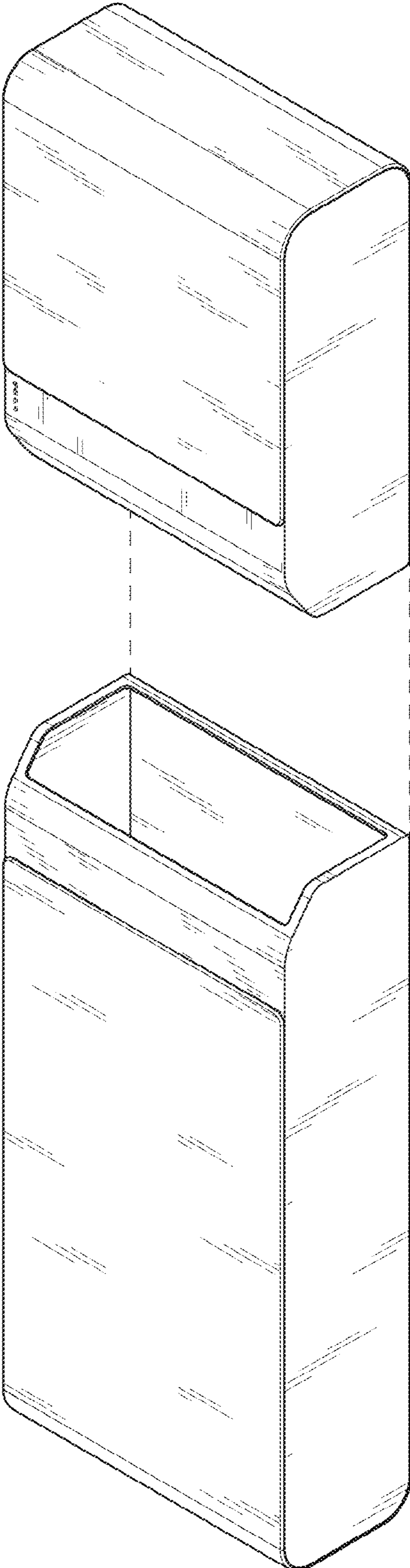


Fig. 1

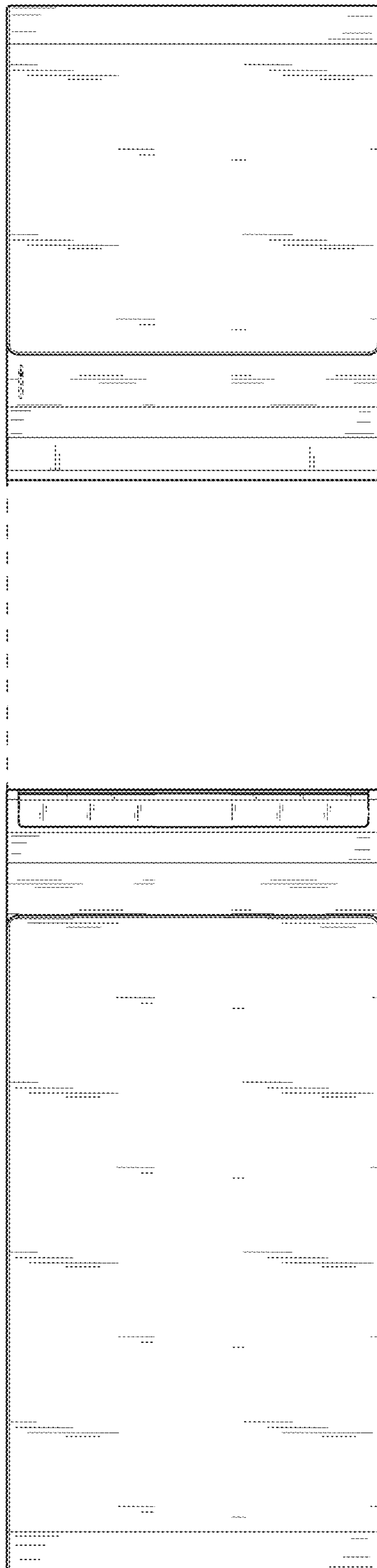


Fig. 2

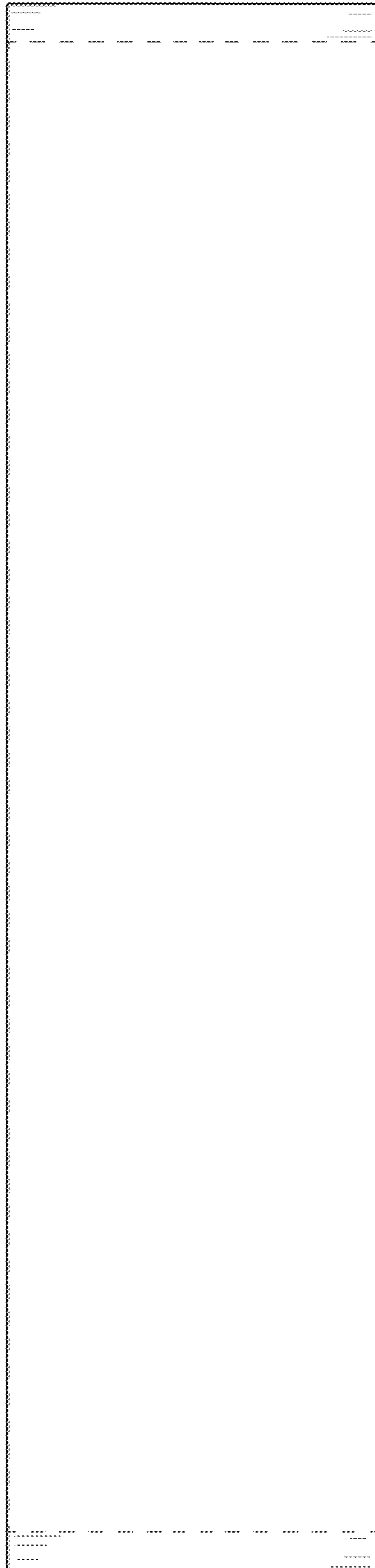


Fig. 3

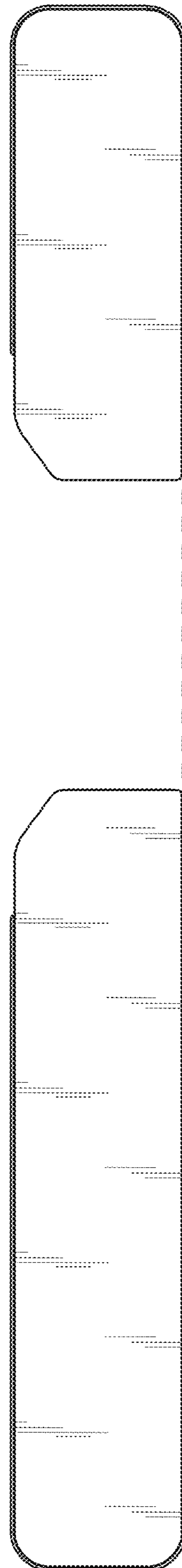


Fig. 4

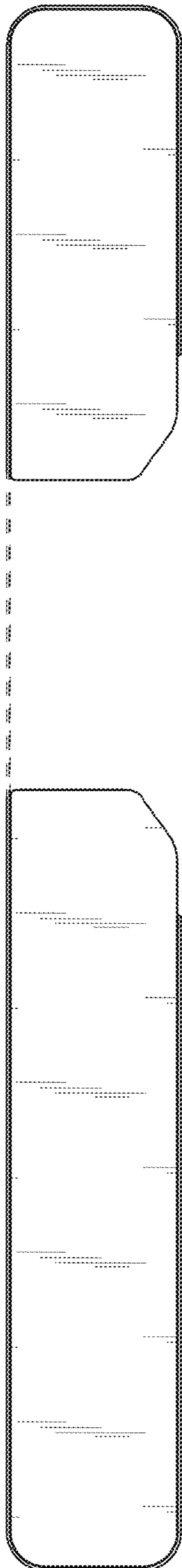


Fig. 5

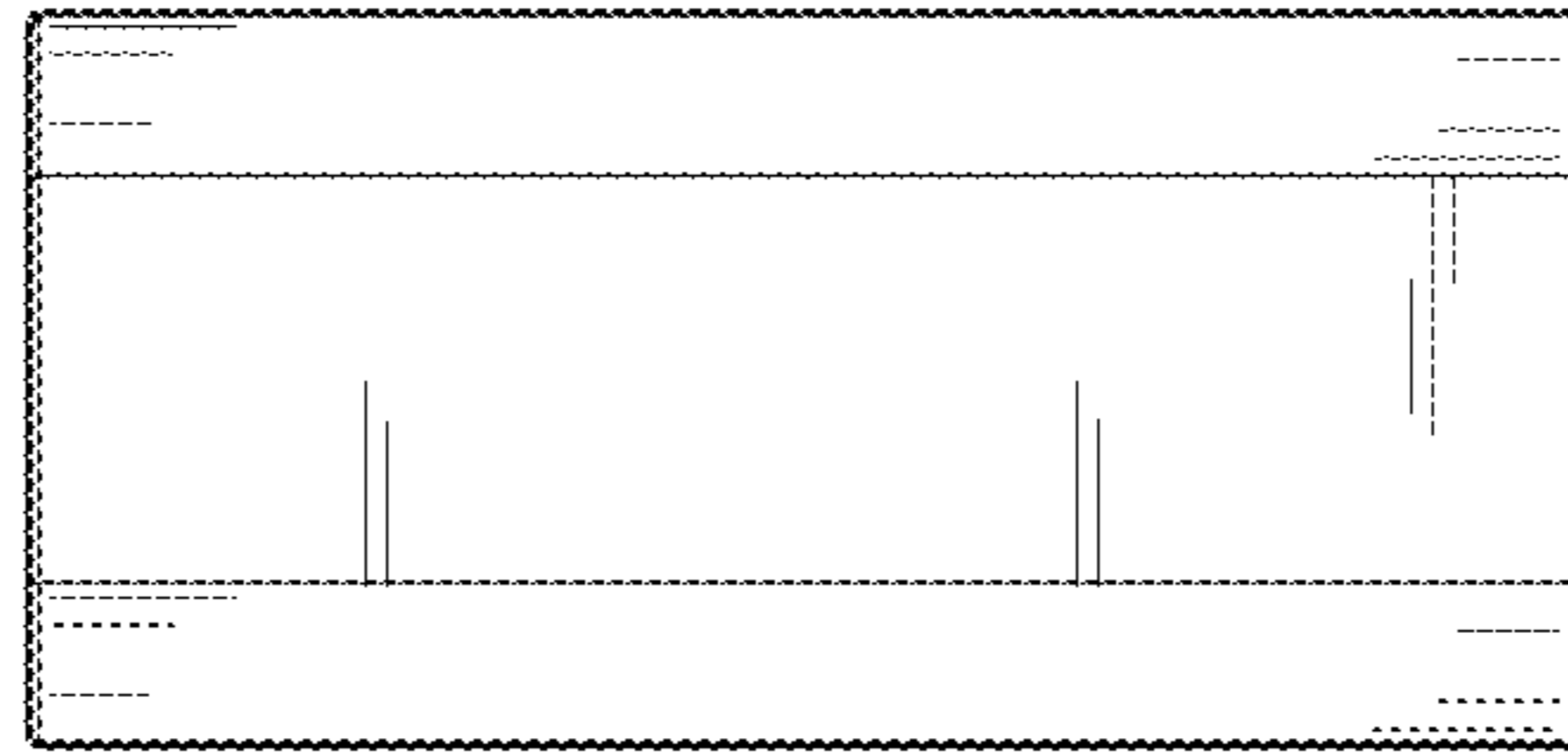


Fig. 6

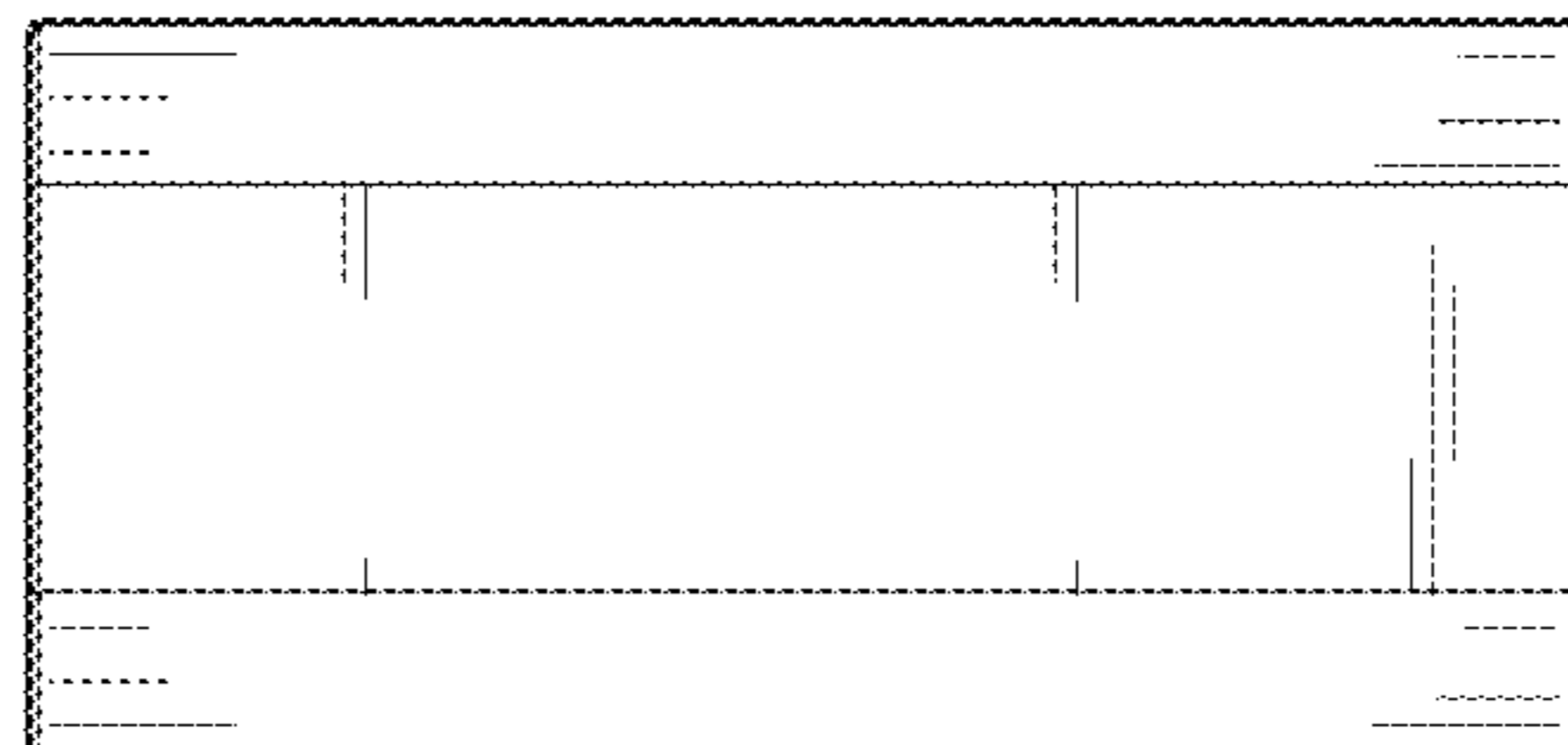


Fig. 7

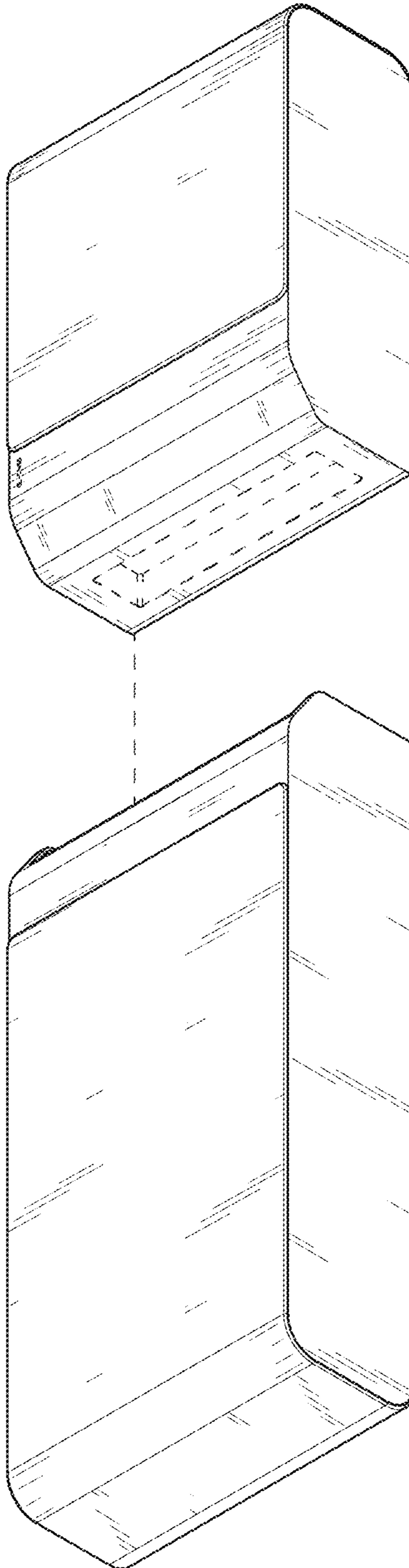


Fig. 8