

US00D965332S

(12) **United States Design Patent**  
**Lawson**

(10) **Patent No.:** **US D965,332 S**  
(45) **Date of Patent:** **\*\* Oct. 4, 2022**

(54) **SOFA**  
(71) Applicant: **Oliver Bladek**, Calgary (CA)  
(72) Inventor: **Ryan Lawson**, East Ballina (AU)  
(\*\*) Term: **15 Years**  
(21) Appl. No.: **35/510,775**  
(22) Filed: **May 17, 2020**

(80) **Hague Agreement Data**

Int. Filing Date: **May 17, 2020**  
Int. Reg. No.: **DM/209109**  
Int. Reg. Date: **May 17, 2020**  
Int. Reg. Pub. Date: **Nov. 20, 2020**

(30) **Foreign Application Priority Data**

Nov. 18, 2019 (AU) ..... 201916536  
Nov. 18, 2019 (AU) ..... 201916543

(51) **LOC (13) Cl.** ..... **06-01**

(52) **U.S. Cl.**  
USPC ..... **D6/377**

(58) **Field of Classification Search**

USPC ..... D6/334, 335, 360, 378, 381, 717  
CPC .... A47C 3/00; A47C 7/00; A47C 7/02; A47C  
7/16; A47C 7/36; A47C 7/38; A47C 7/40;  
A47C 7/54; A47B 17/00; A47B 17/02  
See application file for complete search history.

(56) **References Cited**

**U.S. PATENT DOCUMENTS**

D240,096 S \* 6/1976 Haggstam et al. .... D6/373  
D484,713 S \* 1/2004 Gomez ..... D6/381  
6,824,220 B1 \* 11/2004 Davison ..... A47C 13/005  
297/233  
D666,847 S \* 9/2012 Metcalf ..... B68G 7/00  
D6/717

D736,535 S \* 8/2015 Foersom ..... A47C 7/628  
D6/377  
D774,347 S \* 12/2016 Schweikarth ..... D6/717  
D850,137 S \* 6/2019 Lissoni ..... D6/377  
D851,416 S \* 6/2019 King ..... D6/334  
D878,795 S \* 3/2020 Lipparini ..... D6/377  
D899,110 S \* 10/2020 King ..... D6/334  
D908,384 S \* 1/2021 Davidson ..... A47C 13/005  
D6/371  
2020/0262696 A1\* 8/2020 Nelson ..... A47C 7/628  
2021/0227979 A1\* 7/2021 Davidson ..... B68G 7/00

\* cited by examiner

*Primary Examiner* — Mary Ann Calabrese

(57) **CLAIM**

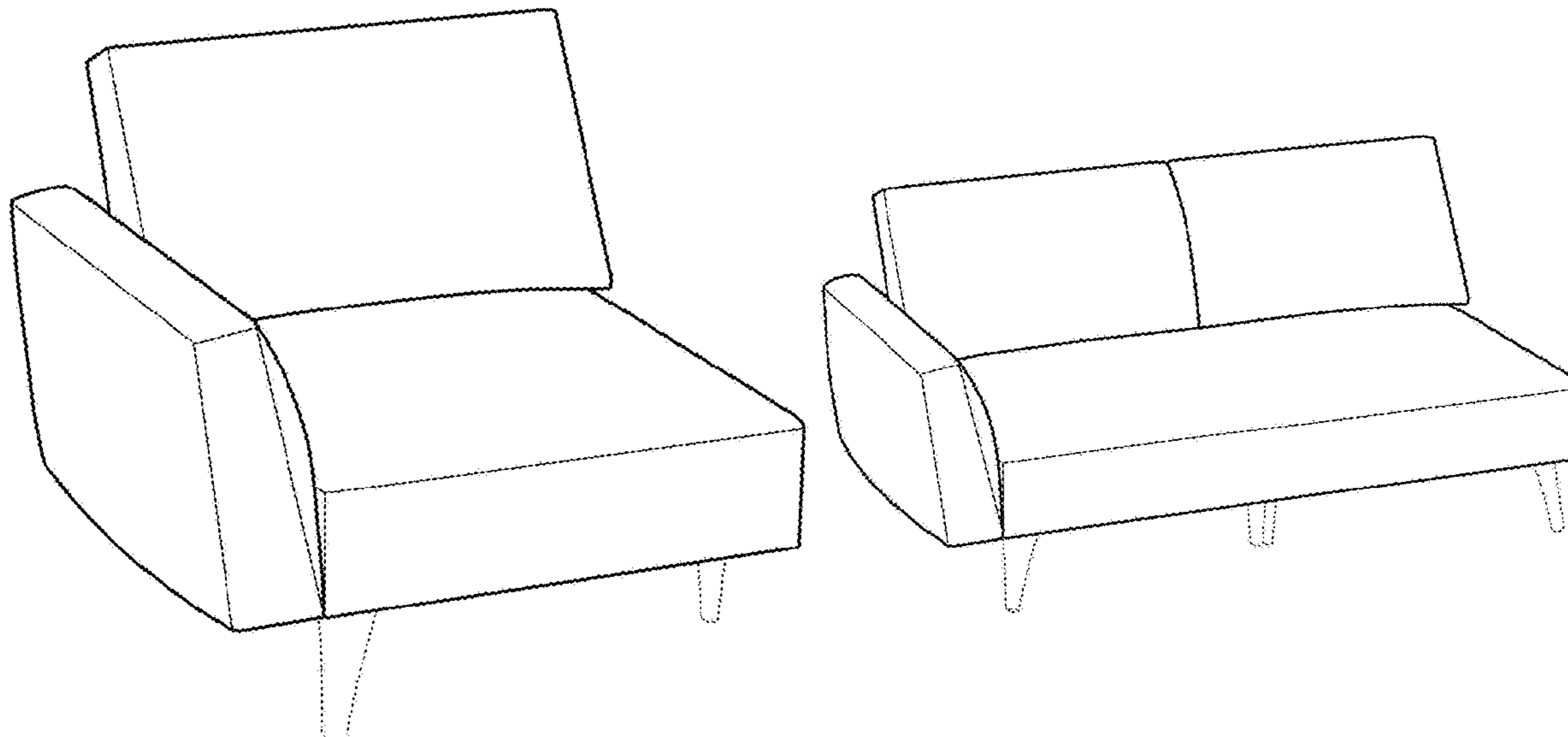
The ornamental design for a sofa, as shown and described.

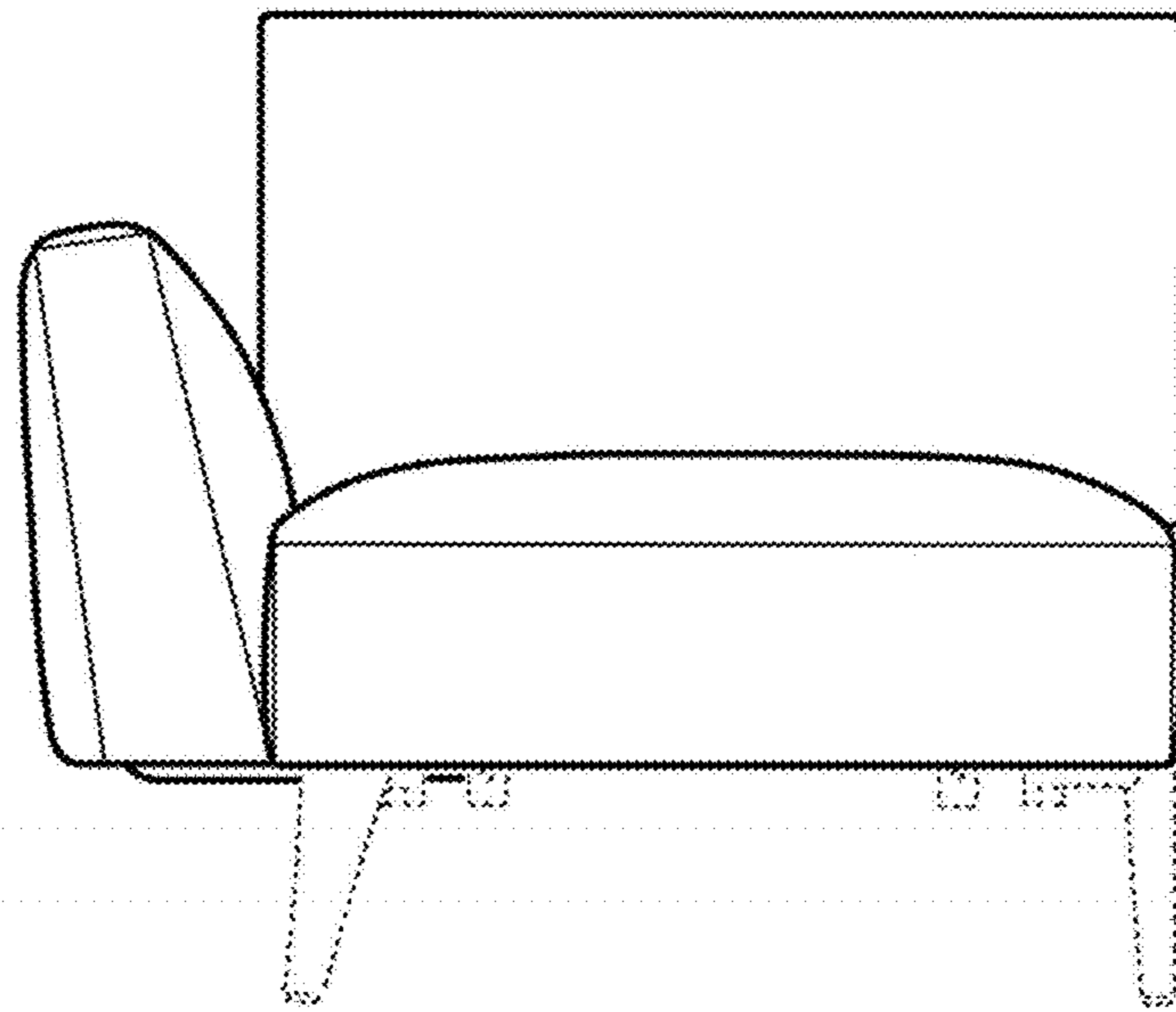
**DESCRIPTION**

- 1.-2. Sofa
- 1.1 : Front
- 1.2 : Left
- 1.3 : Right
- 1.4 : Back
- 1.5 : Top
- 1.6 : Bottom
- 1.7 : Front Perspective View
- 1.8 : Rear Perspective View
- 2.1 : Front
- 2.2 : Left
- 2.3 : Right
- 2.4 : Back
- 2.5 : Top
- 2.6 : Bottom
- 2.7 : Front Perspective View
- 2.8 : Rear Perspective View

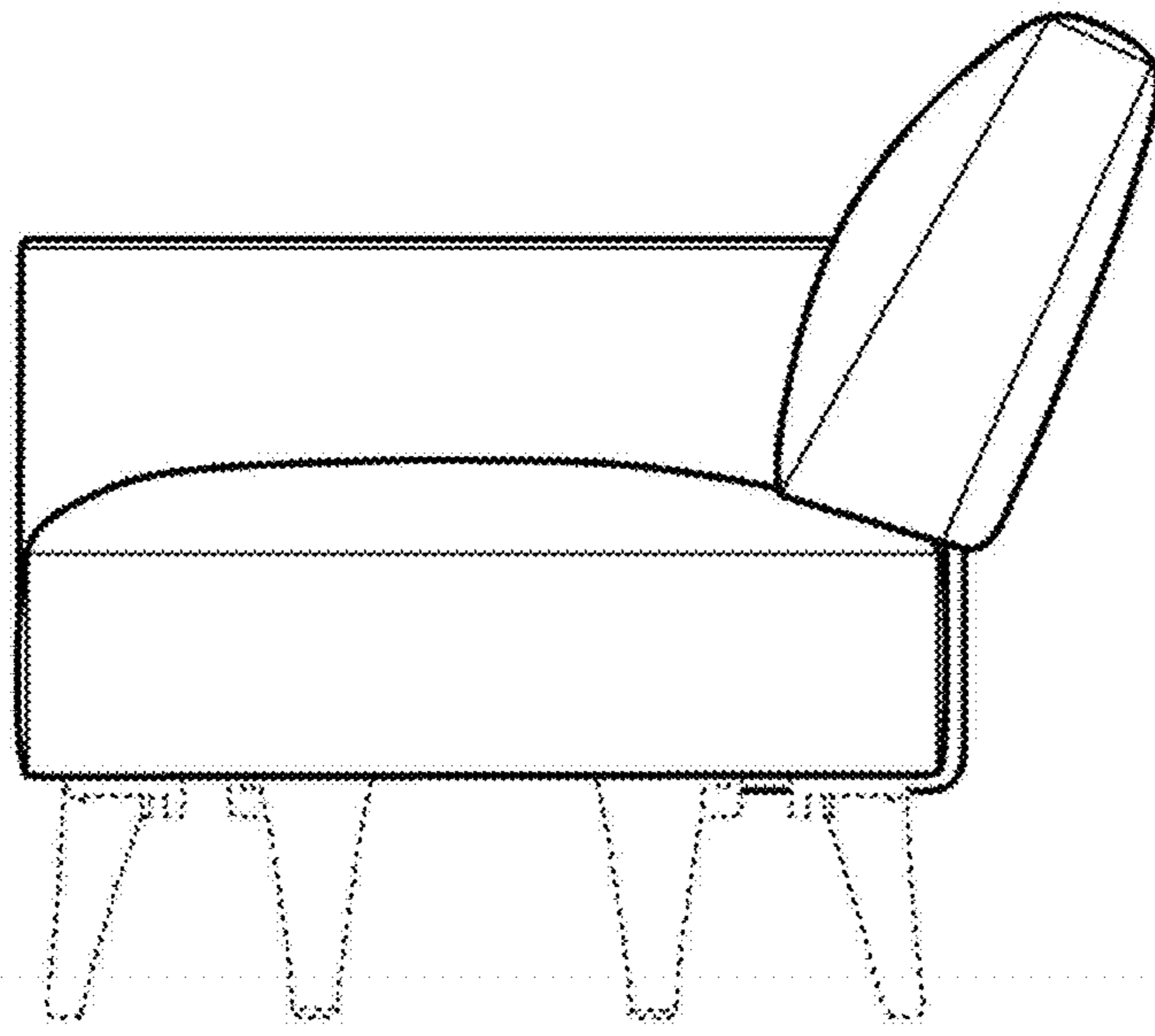
The broken lines in the reproductions show portions of the sofa that form no part of the claimed design.

**1 Claim, 16 Drawing Sheets**

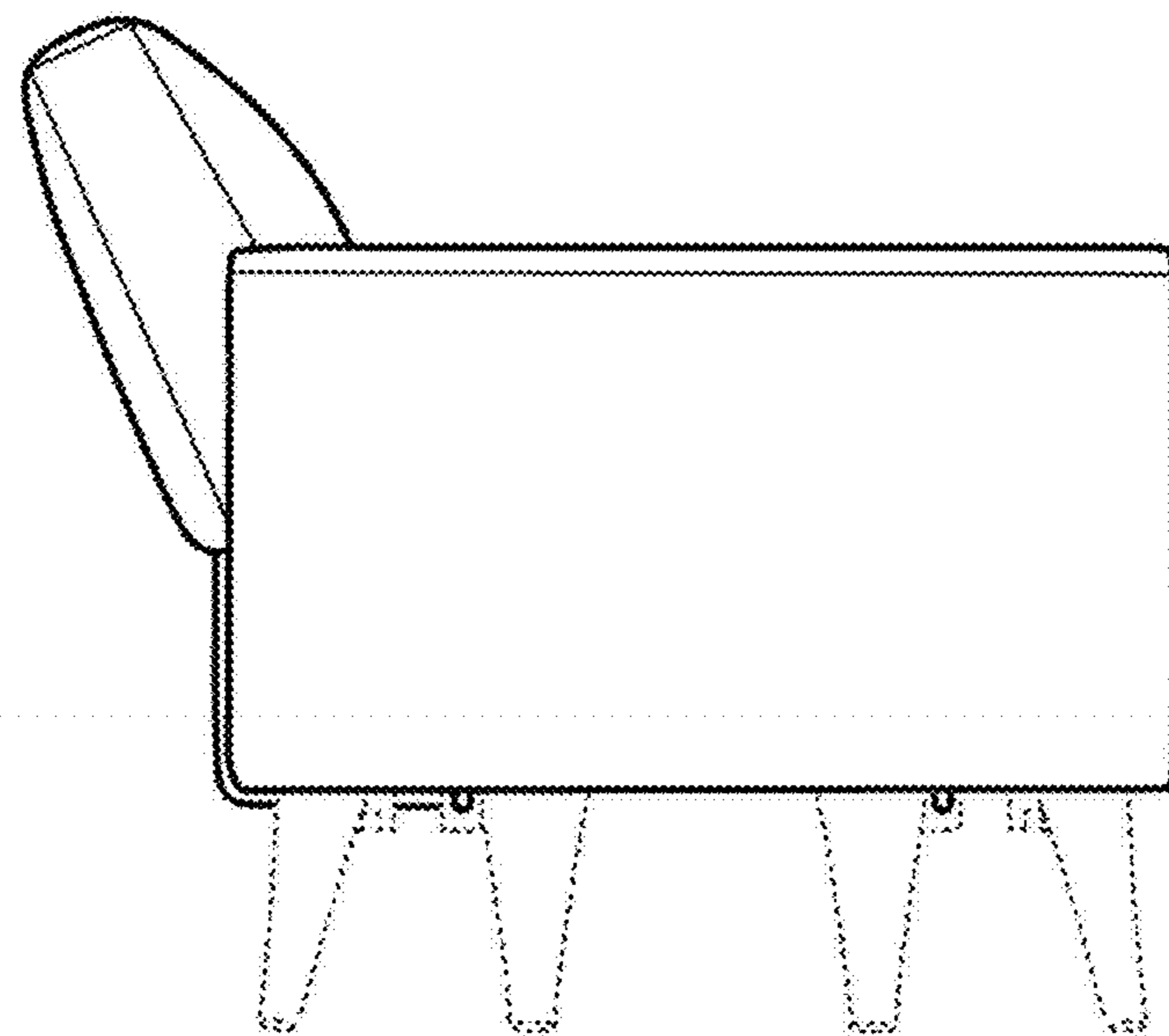




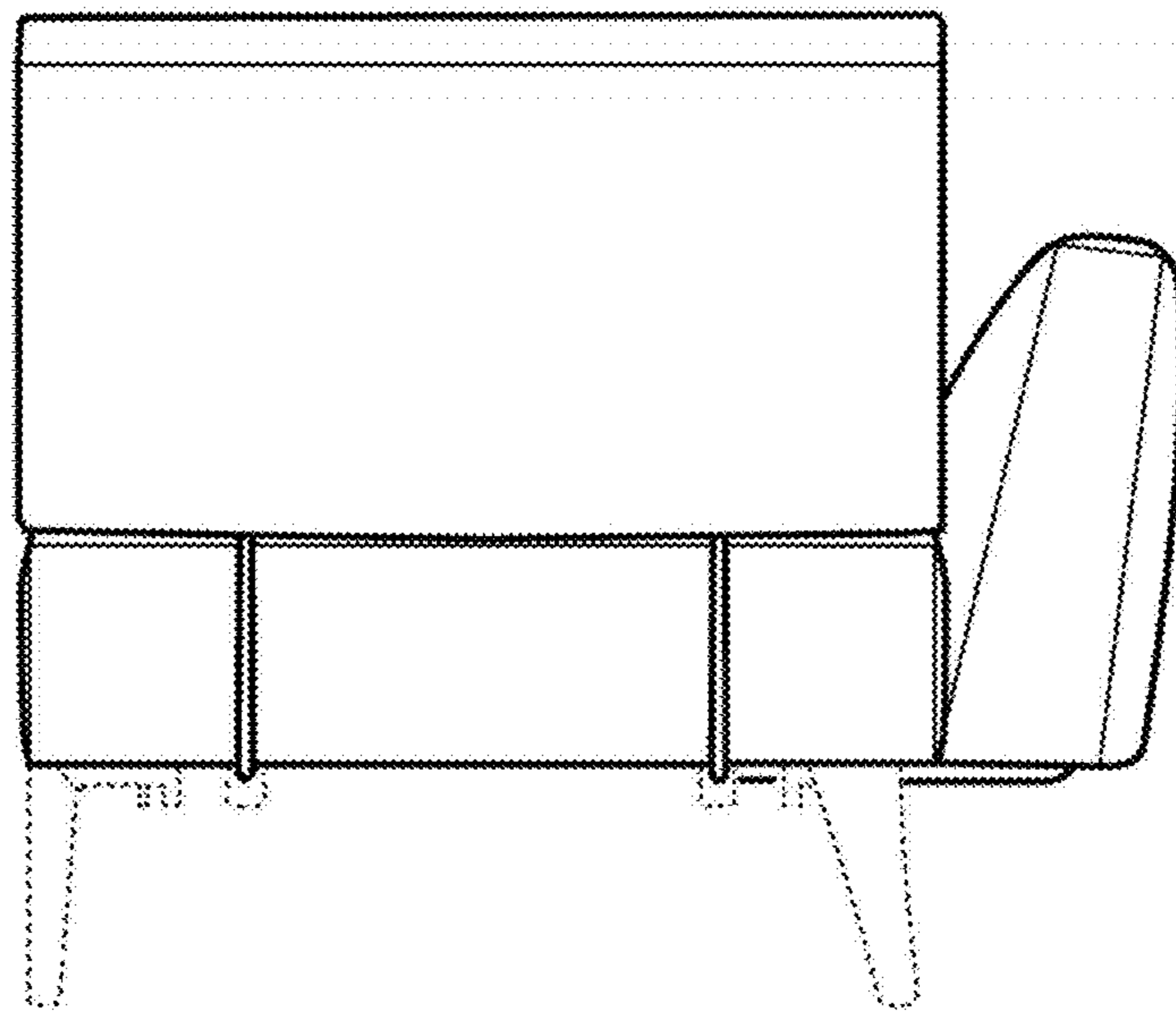
1.1



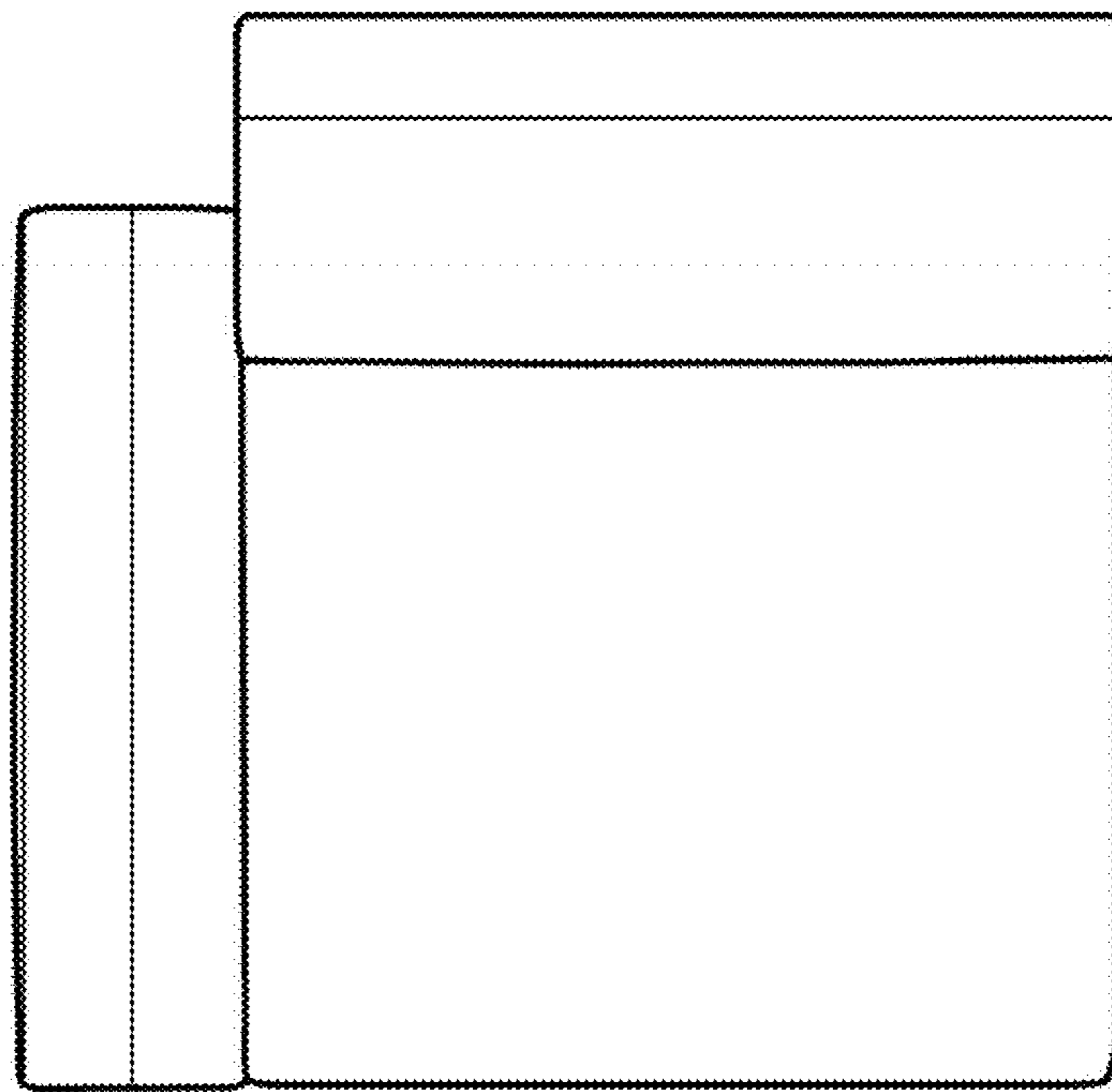
1.2



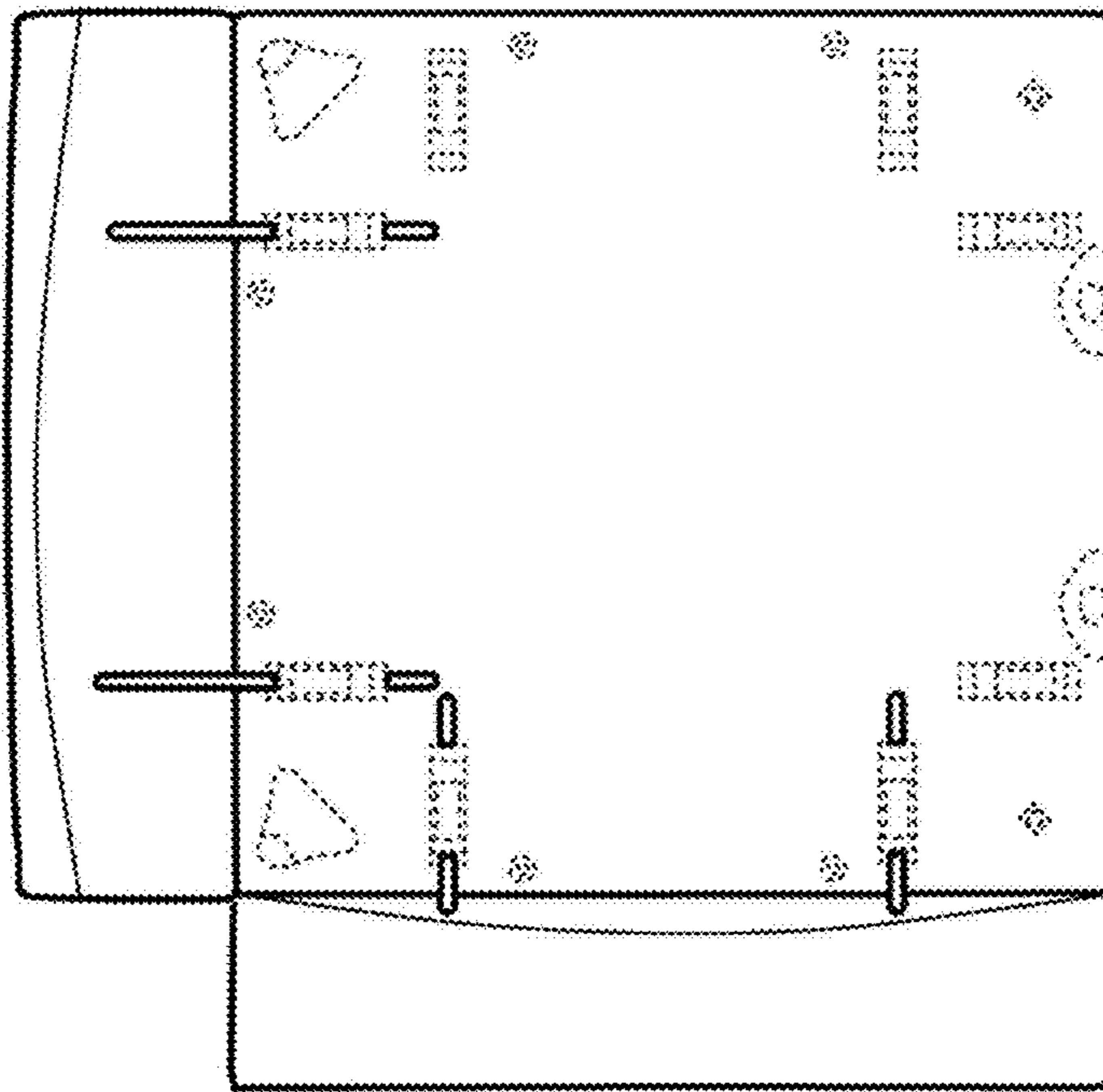
1.3



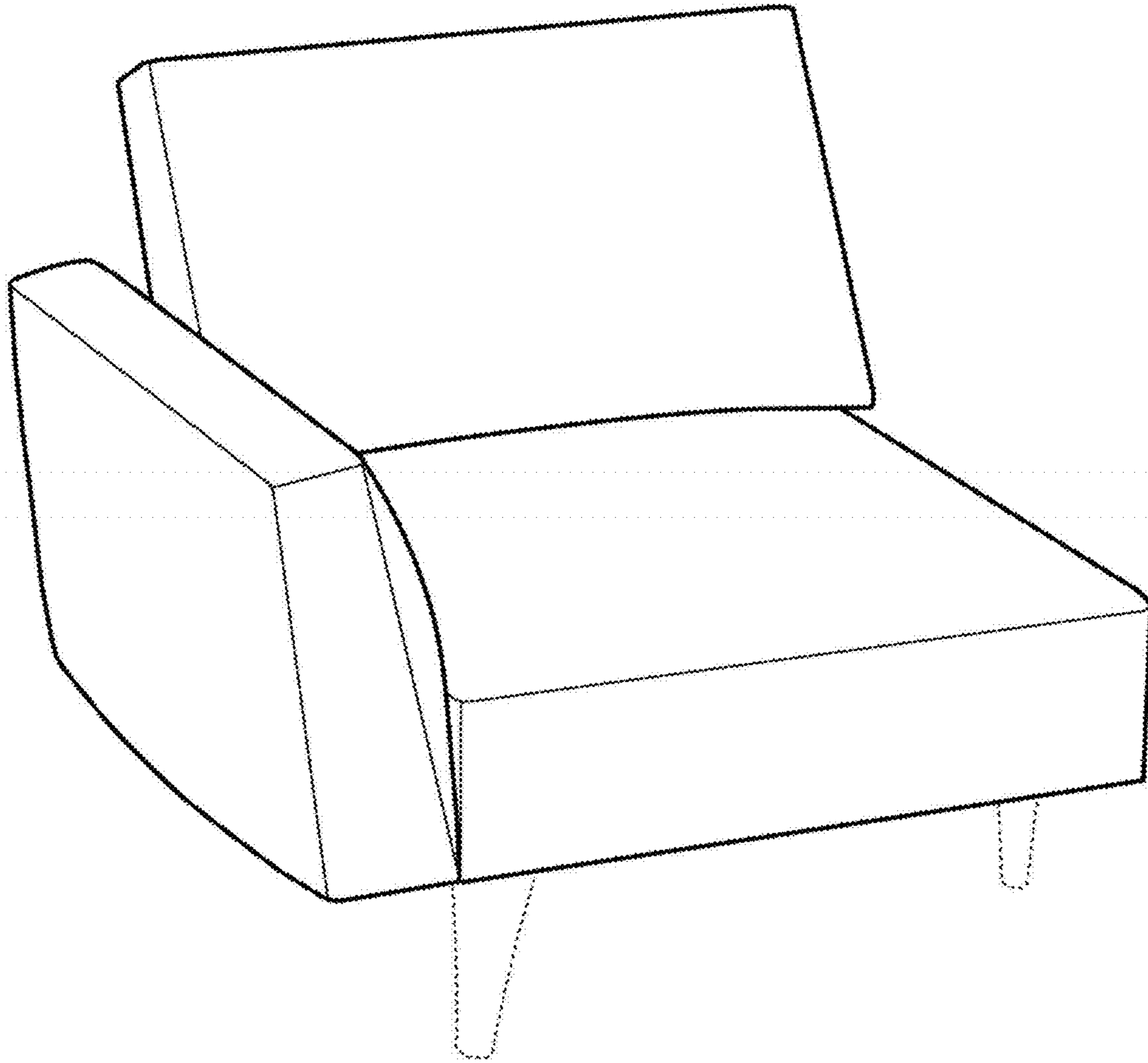
1.4



1.5

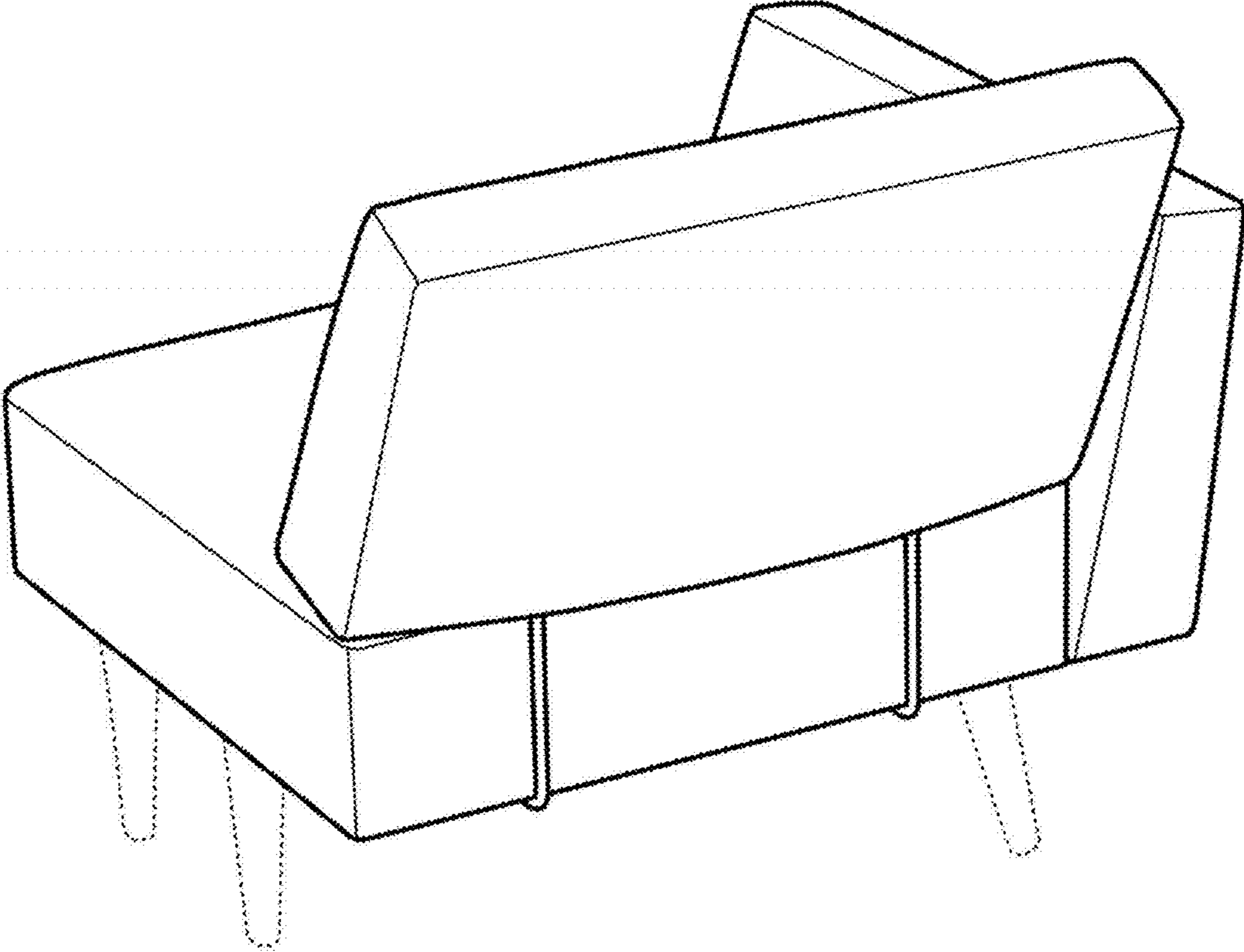


1.6

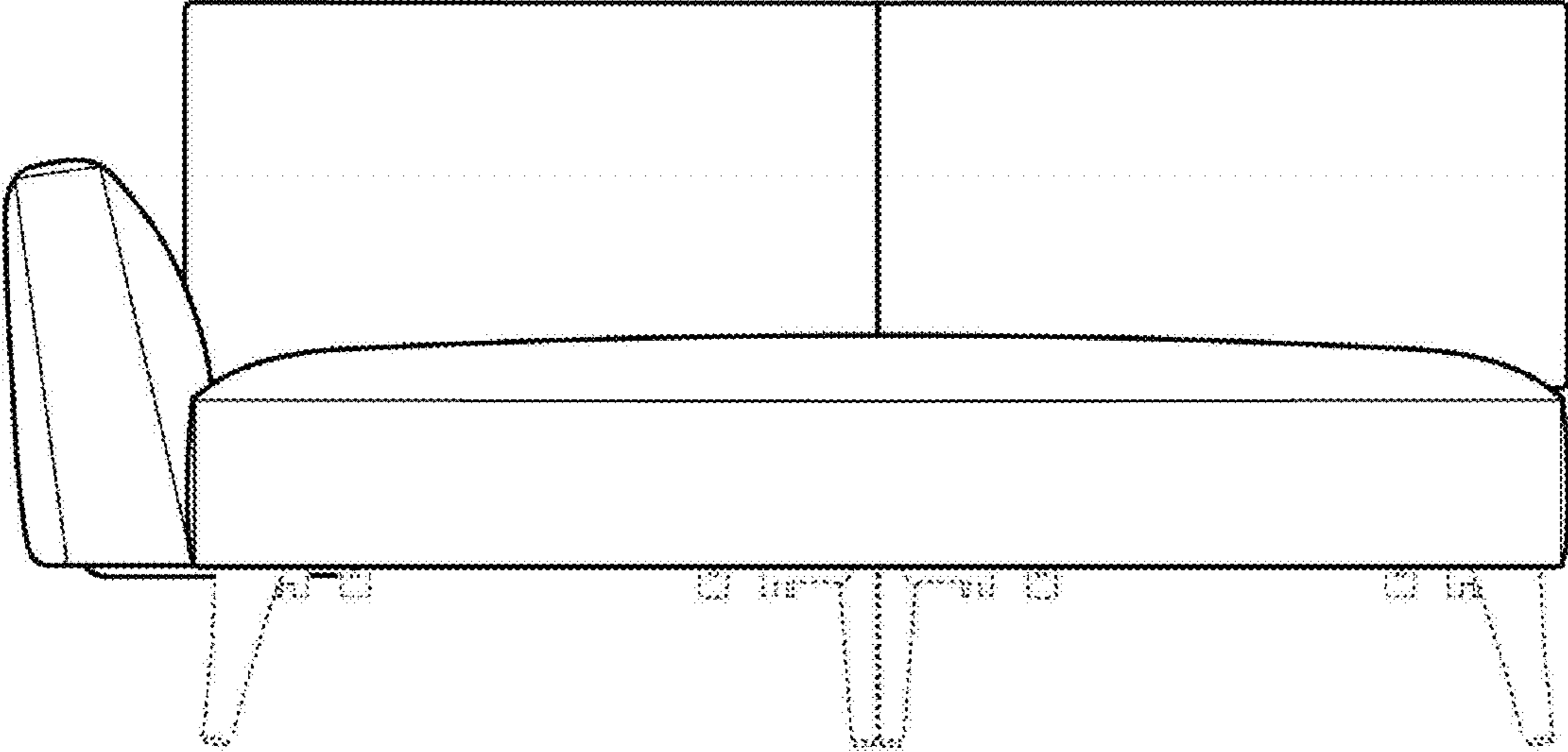


1.7

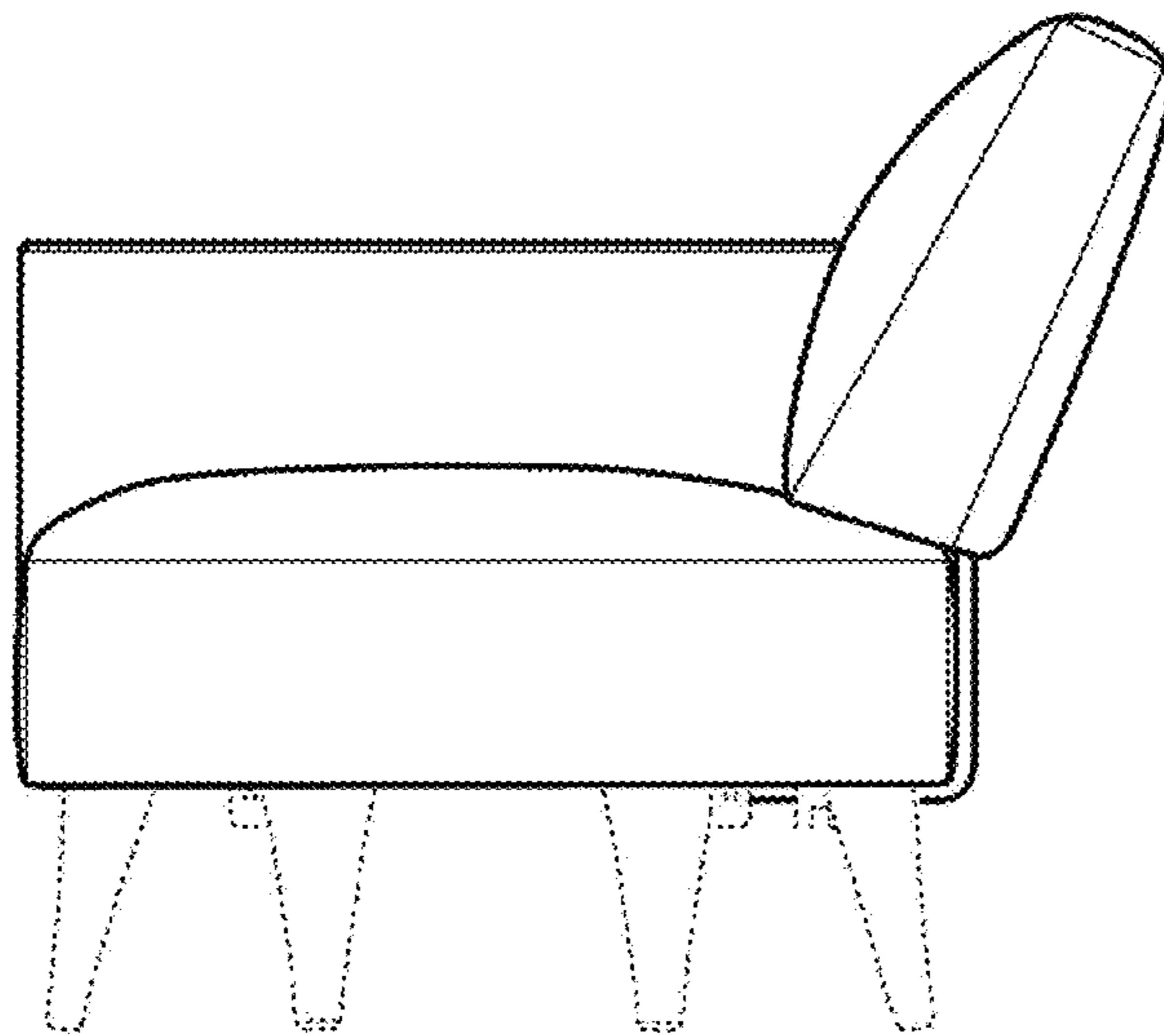




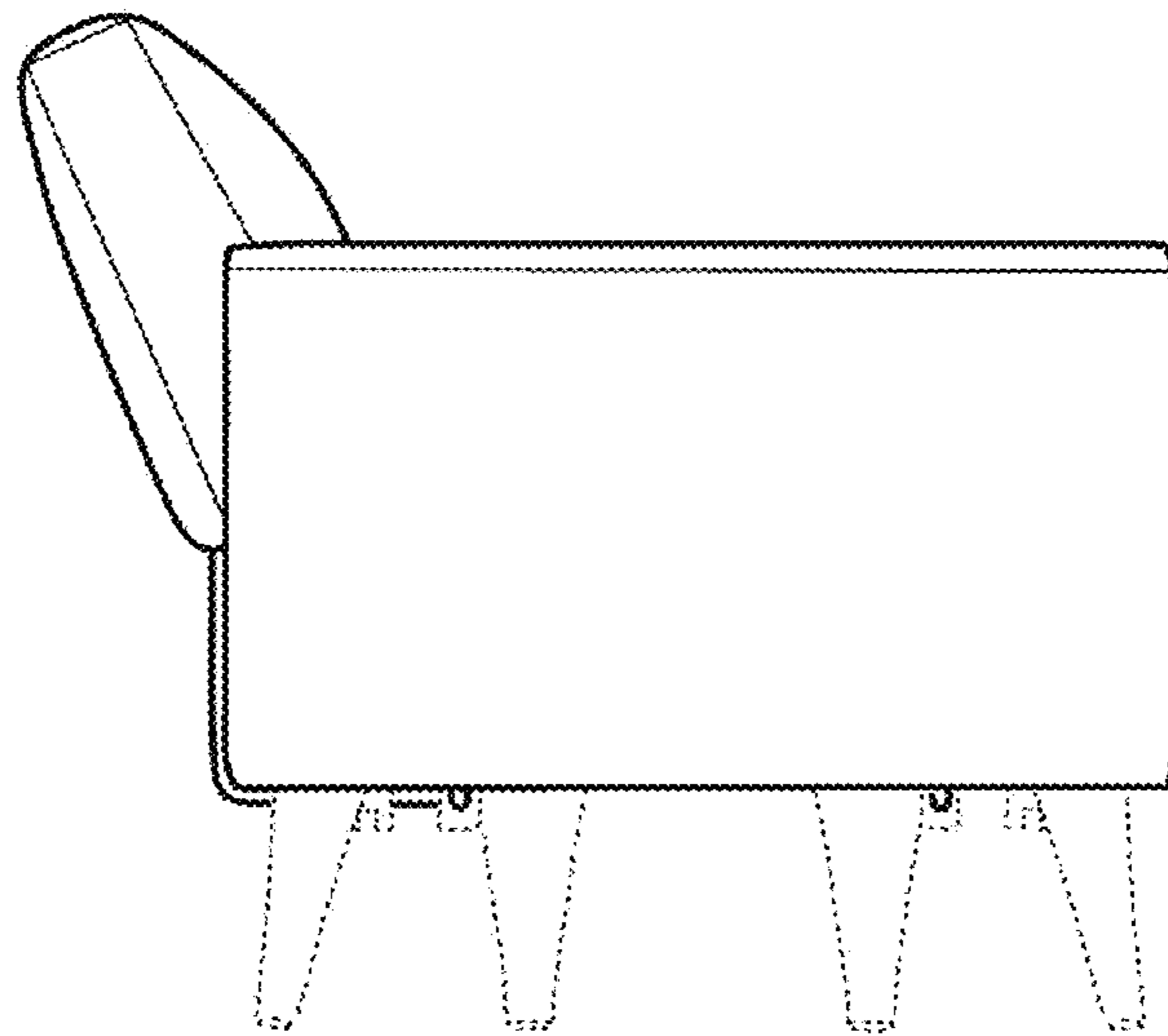
1.8



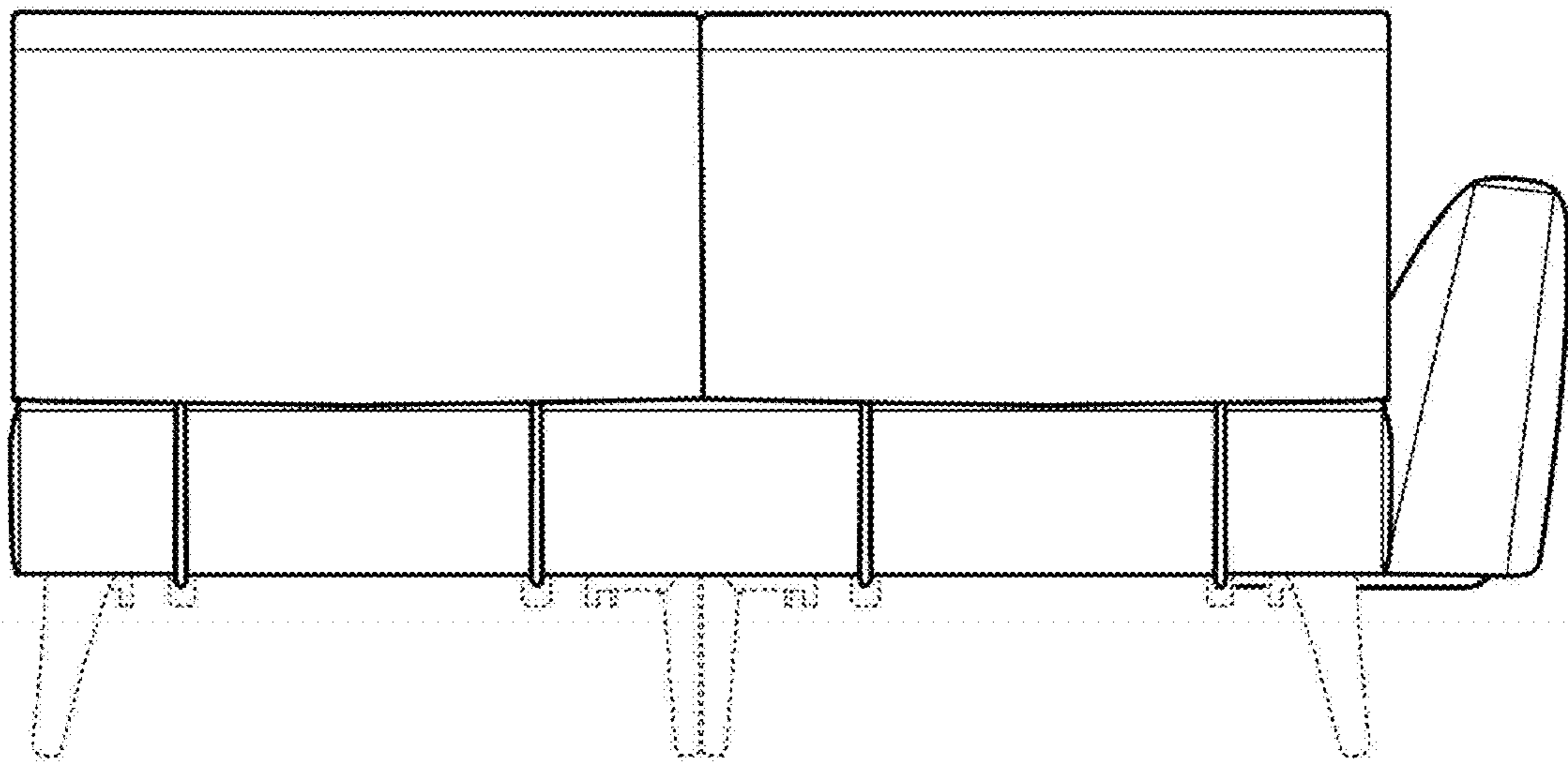
2.1



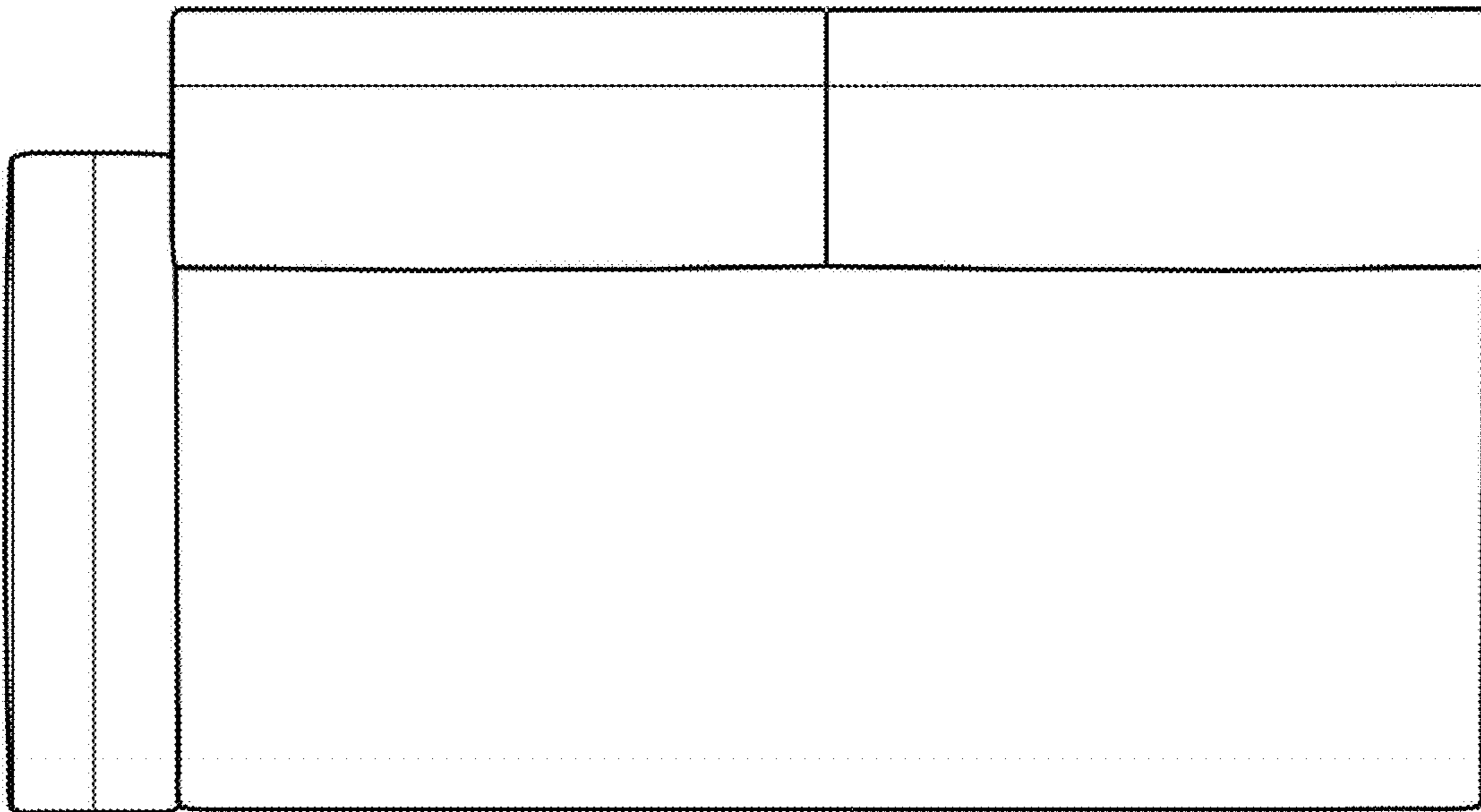
2.2



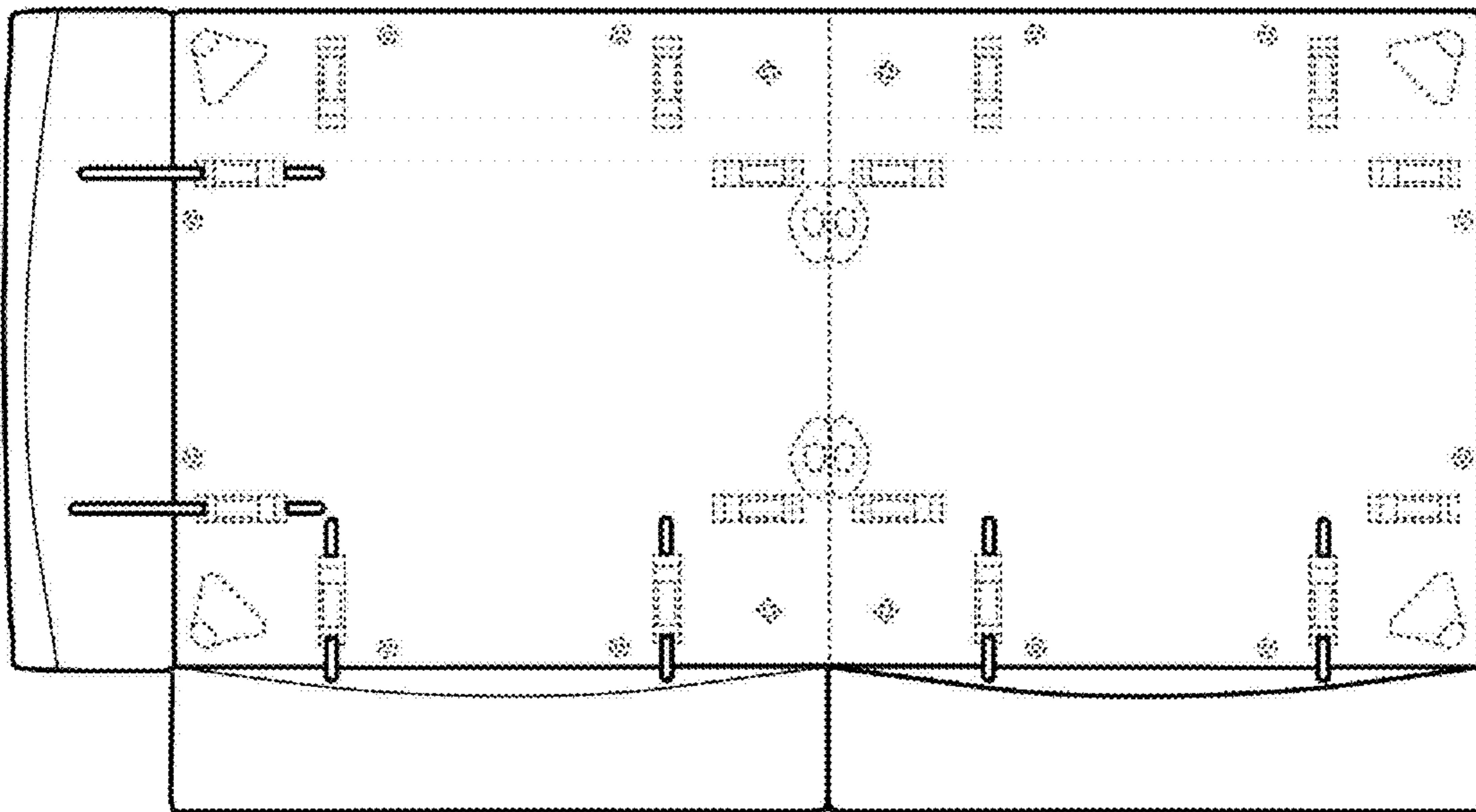
2.3



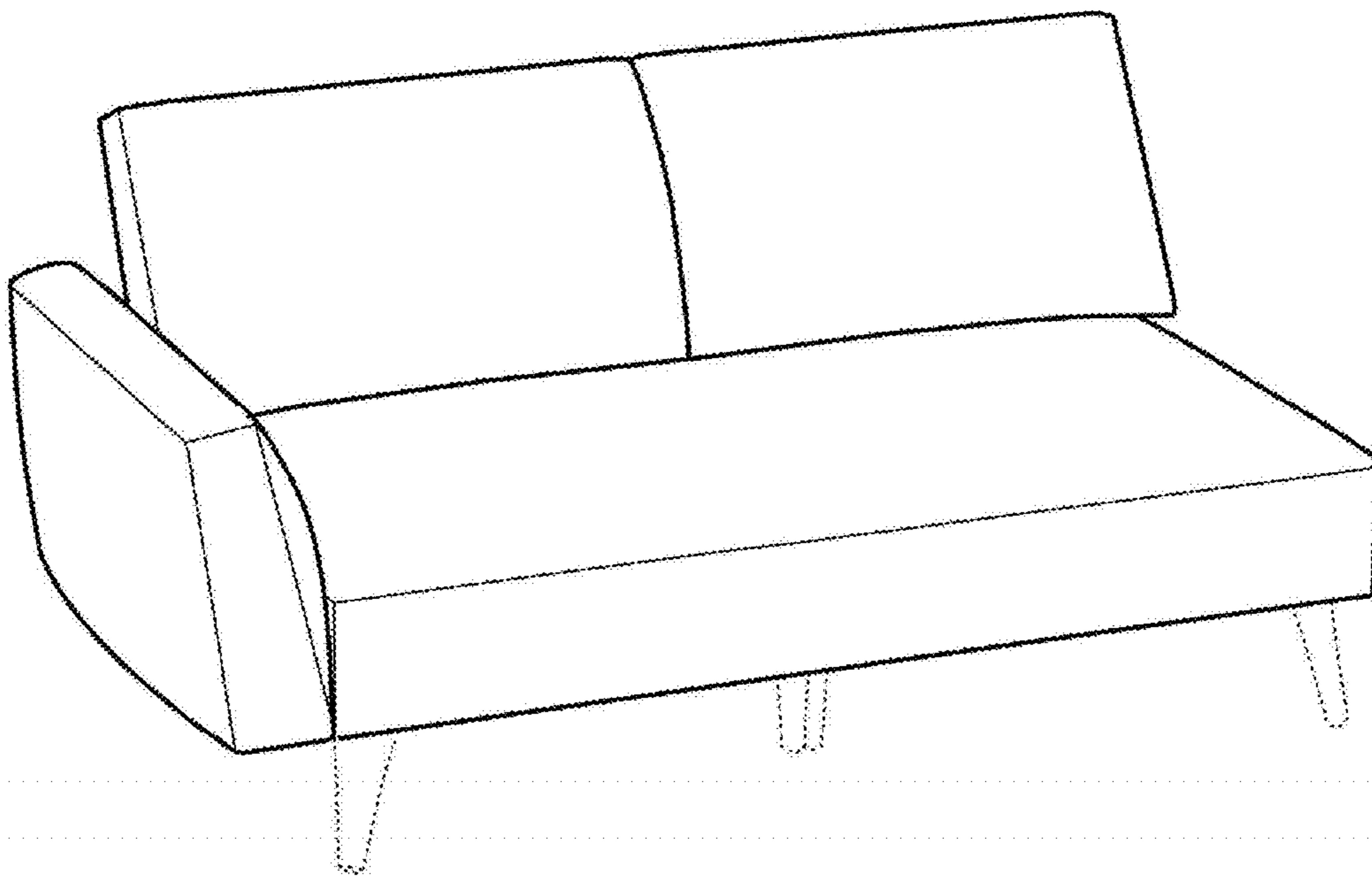
2.4



2.5

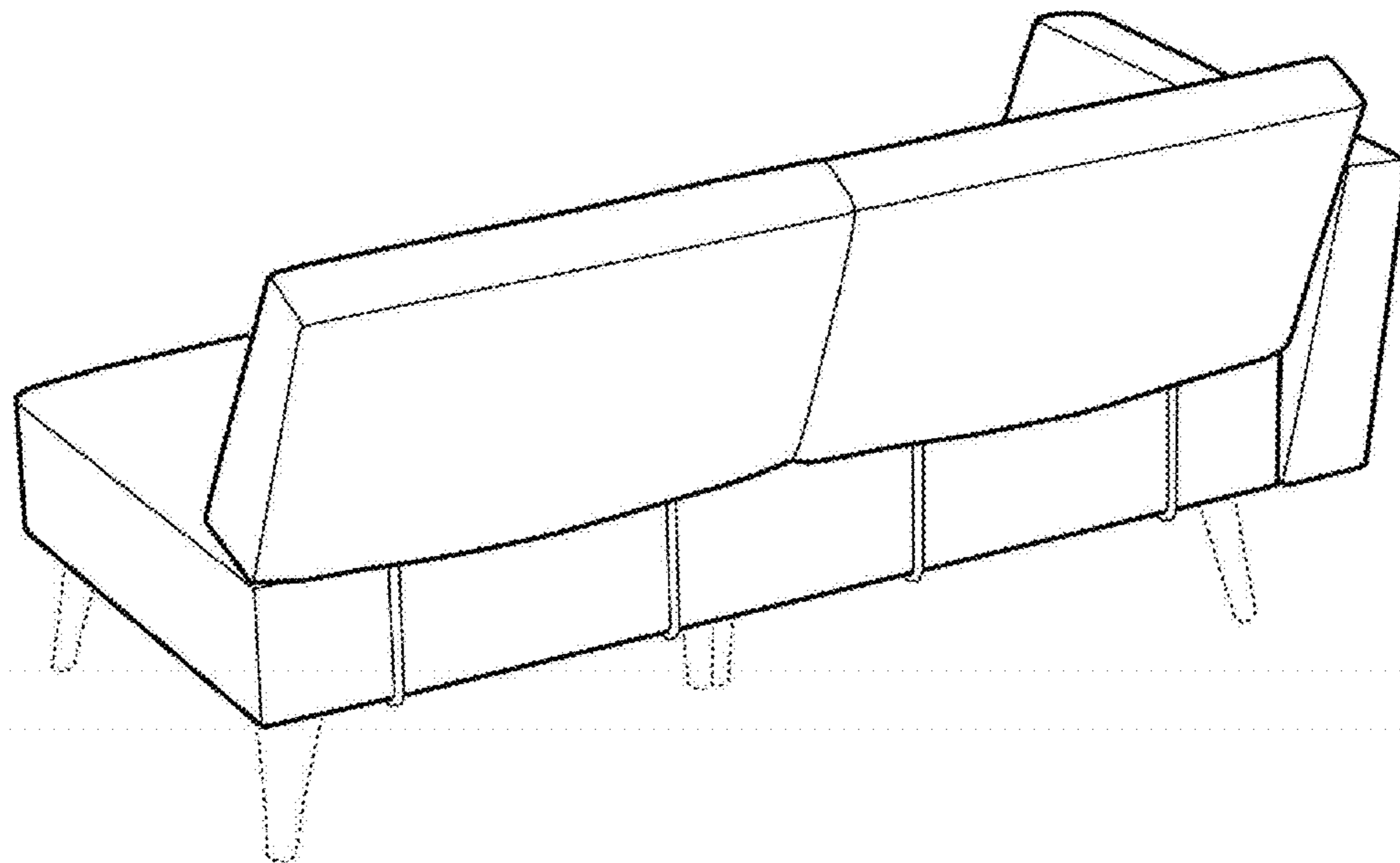


2.6



2.7





2.8