



US00D965329S

(12) **United States Design Patent**
Citterio

(10) **Patent No.:** **US D965,329 S**

(45) **Date of Patent:** **** Oct. 4, 2022**

(54) **ARMCHAIR**

(71) Applicant: **B&B Italia S.p.A.**, Milan (IT)

(72) Inventor: **Antonio Citterio**, Novedrate (IT)

(73) Assignee: **B&B ITALIA S.p.A.**, Milan (IT)

(**) Term: **15 Years**

(21) Appl. No.: **29/708,140**

(22) Filed: **Oct. 3, 2019**

(30) **Foreign Application Priority Data**

Apr. 5, 2019 (IT) 402019000000696

(51) **LOC (13) Cl.** **06-01**

(52) **U.S. Cl.**
USPC **D6/374**

(58) **Field of Classification Search**
USPC D6/334, 335, 349, 355, 360, 364, 367,
D6/369, 374, 375, 377, 378, 381
CPC A47C 4/02; A47C 4/28
See application file for complete search history.

(56) **References Cited**

U.S. PATENT DOCUMENTS

3,565,486	A *	2/1971	Channon	A47C 16/005 297/463.2
D654,732	S *	2/2012	Kubryk	D6/366
D664,381	S *	7/2012	Kubryk	D6/366
D742,658	S *	11/2015	Bisman	D6/374
D759,393	S *	6/2016	Hayon	D6/334
D759,397	S *	6/2016	Wu	D6/366
D776,446	S *	1/2017	Brandstatter	D6/369
D807,066	S *	1/2018	Vance	D6/334
D808,182	S *	1/2018	Baron	D6/334
D811,757	S *	3/2018	Moscheri	D6/334
D815,449	S *	4/2018	Hannoosh	D6/374
D857,409	S *	8/2019	Lopez	D6/334
D867,780	S *	11/2019	Krusin	D6/374

D871,788	S *	1/2020	Gori	D6/360
D876,116	S *	2/2020	Ji	D6/374
D886,484	S *	6/2020	Li	D6/374
D891,805	S *	8/2020	Li	D6/374
D899,799	S *	10/2020	Li	D6/366
D903,361	S *	12/2020	Garcia Lax	D6/374
D905,460	S *	12/2020	Bjerre-Poulsen	D6/375
D912,427	S *	3/2021	Li	D6/373
D920,695	S *	6/2021	Li	D6/366

(Continued)

Primary Examiner — Deanna L Pratt

(74) *Attorney, Agent, or Firm* — Thomas | Horstemeyer, LLP

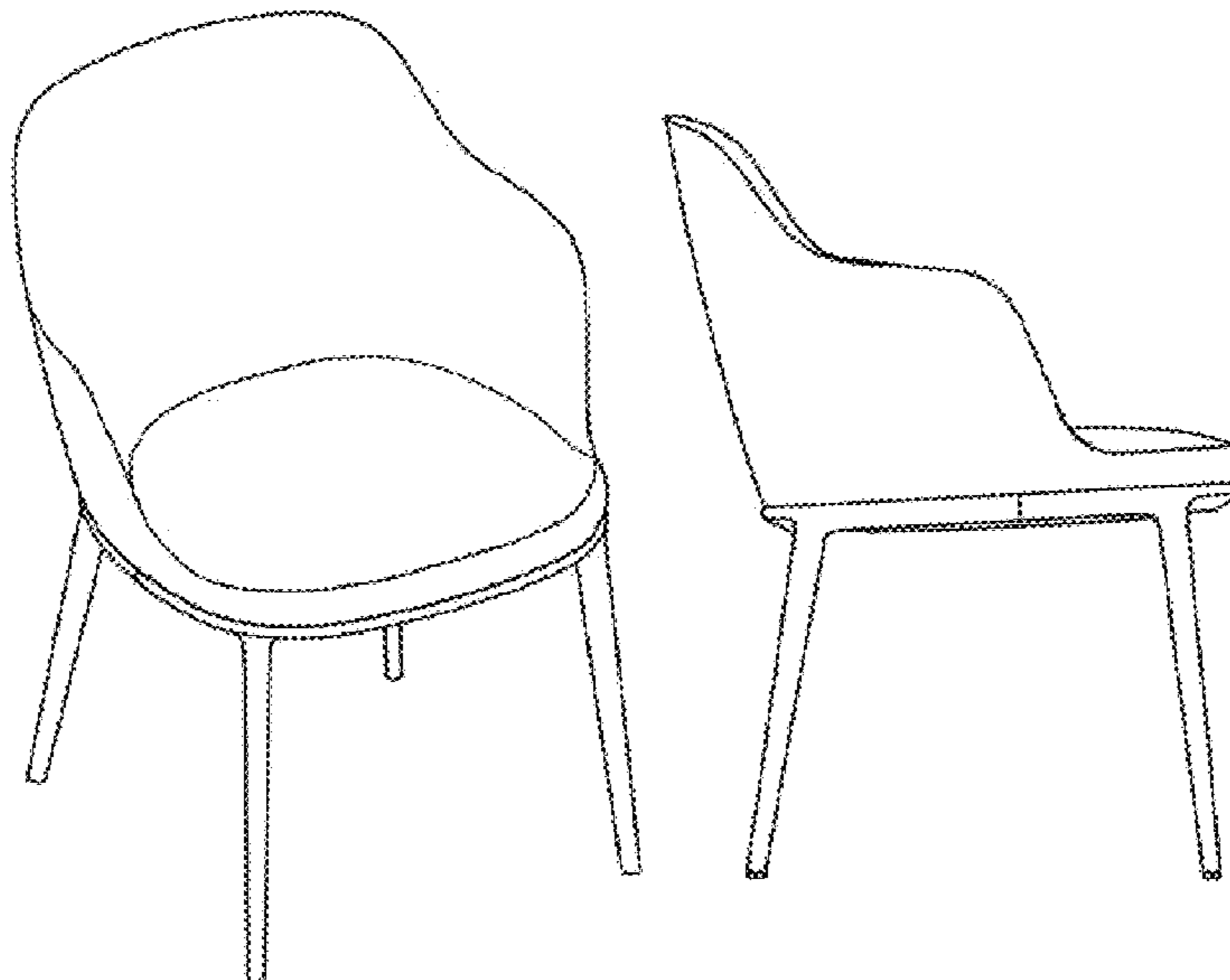
(57) **CLAIM**

The ornamental design for an armchair, as shown and described.

DESCRIPTION

FIG. 1 is a top perspective view of an armchair, showing my new design;
 FIG. 2 is a bottom perspective view thereof;
 FIG. 3 is a front view thereof;
 FIG. 4 is a rear view thereof;
 FIG. 5 is a side view thereof;
 FIG. 6 is a side view thereof, from a side opposite that of FIG. 5;
 FIG. 7 is a top view thereof;
 FIG. 8 is a bottom view thereof;
 FIG. 9 is a top perspective view of a first variation of the armchair of FIG. 1, showing my new design;
 FIG. 10 is a bottom perspective view thereof;
 FIG. 11 is a front view thereof;
 FIG. 12 is a rear view thereof;
 FIG. 13 is a side view thereof;
 FIG. 14 is a side view thereof, from a side opposite that of FIG. 5;
 FIG. 15 is a top view thereof; and,
 FIG. 16 is a bottom view thereof.

1 Claim, 16 Drawing Sheets



(56)

References Cited

U.S. PATENT DOCUMENTS

D924,585 S *	7/2021	Li	D6/366
D924,588 S *	7/2021	Li	D6/366
D931,632 S *	9/2021	Li	D6/348
D931,644 S *	9/2021	Li	D6/375
D934,584 S *	11/2021	Citterio	D6/360
D941,048 S *	1/2022	Welling	D6/375
D948,881 S *	4/2022	Fratesi	D6/375

* cited by examiner

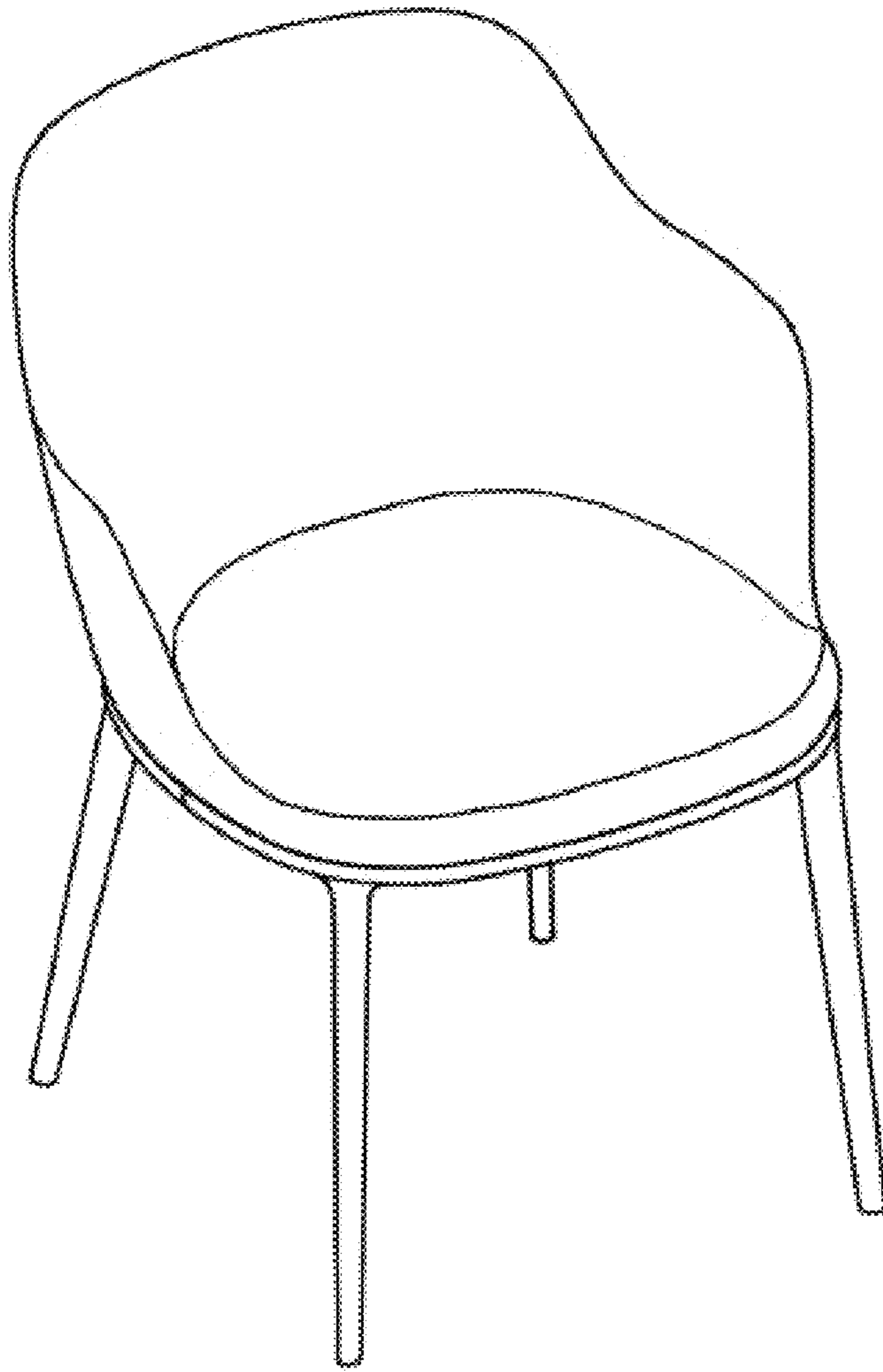


FIG. 1

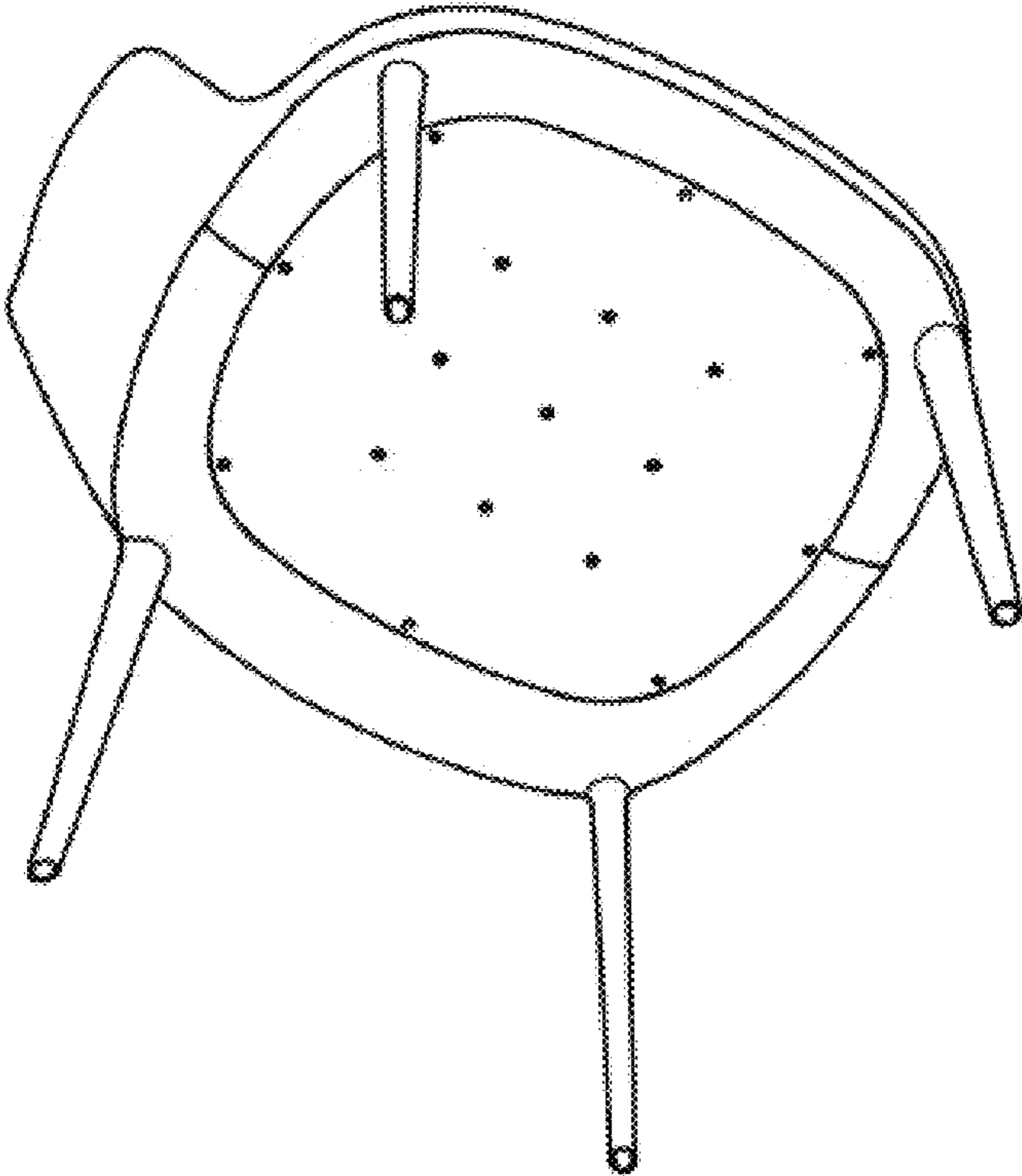


FIG. 2

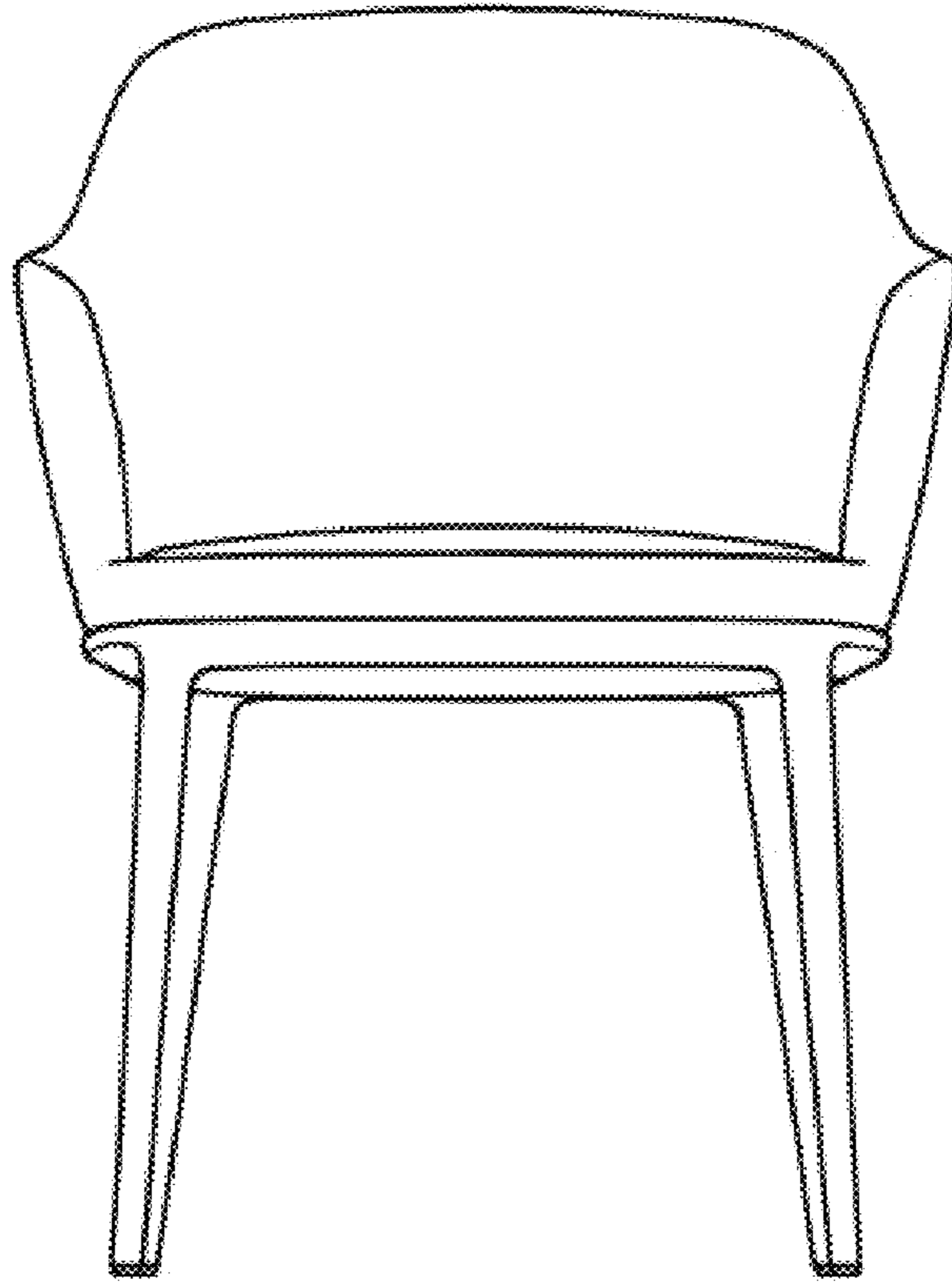


FIG. 3

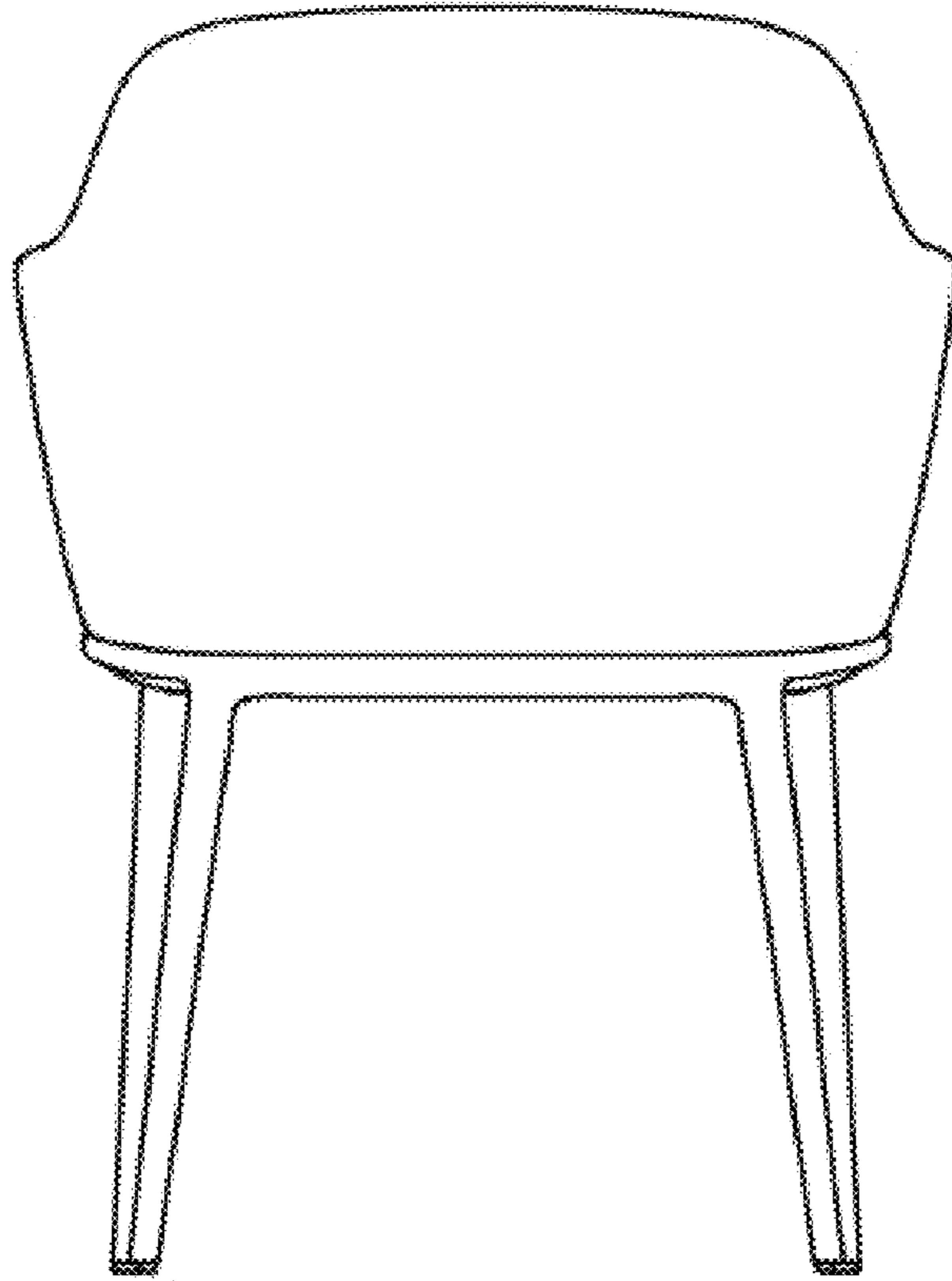


FIG. 4

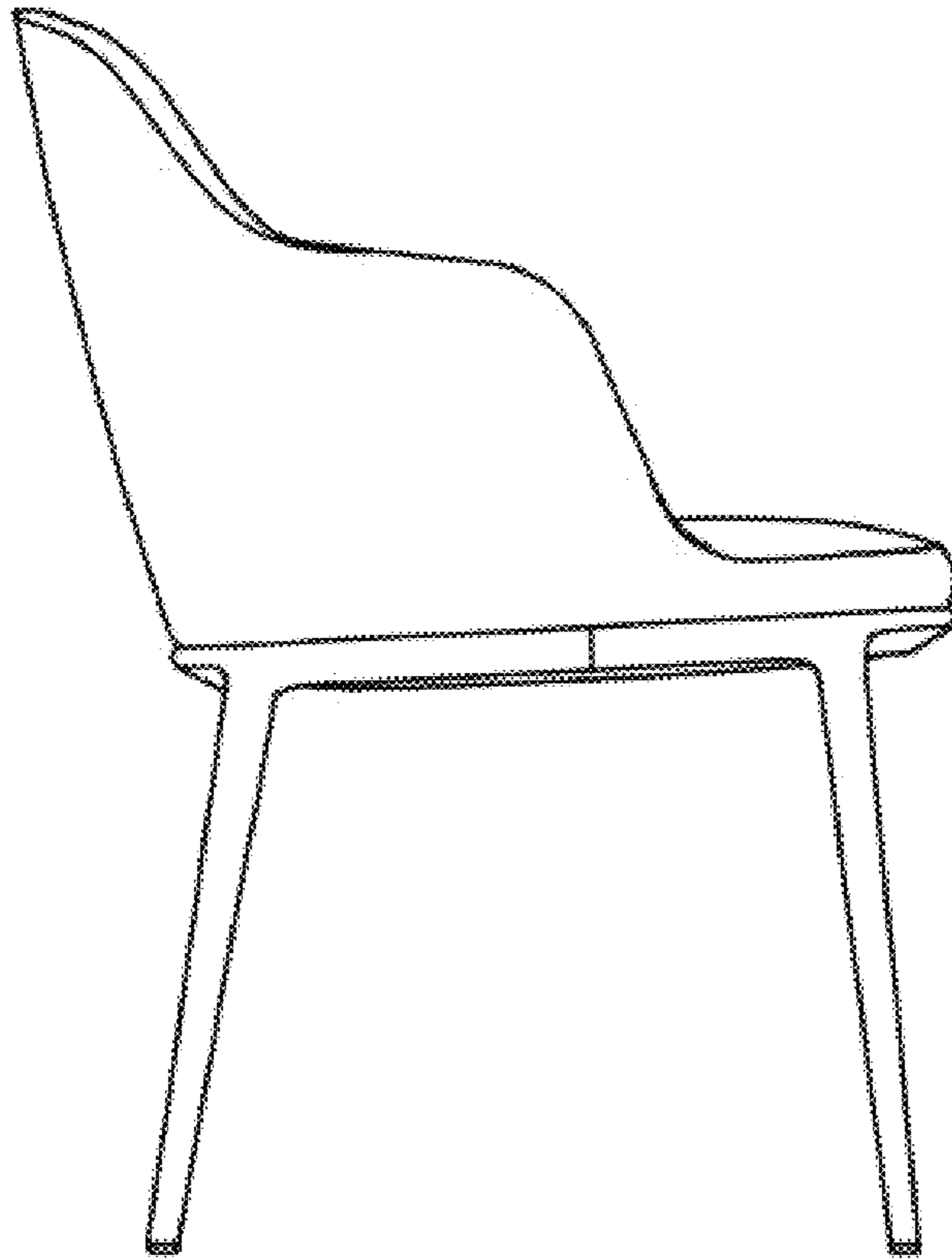


FIG. 5

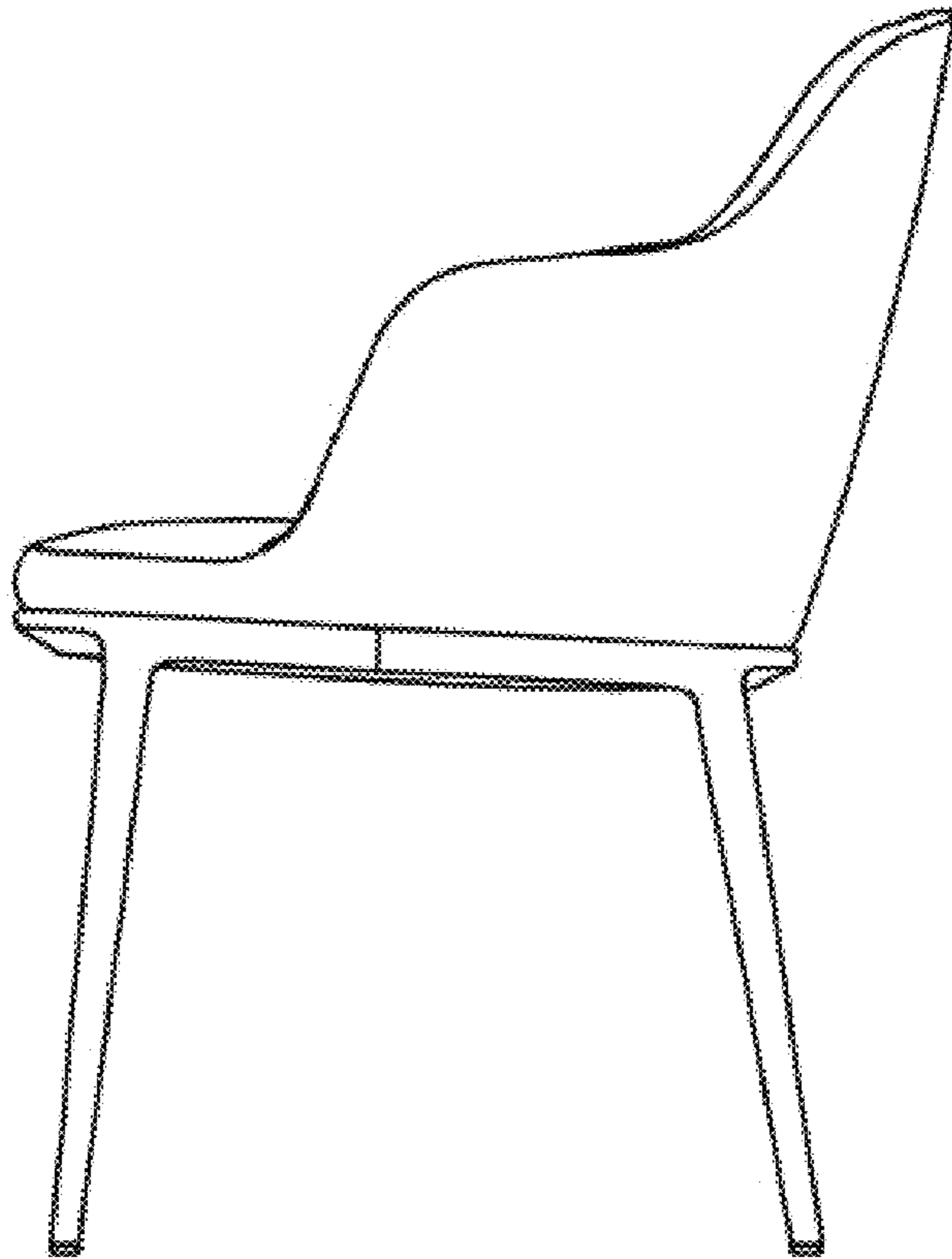


FIG. 6

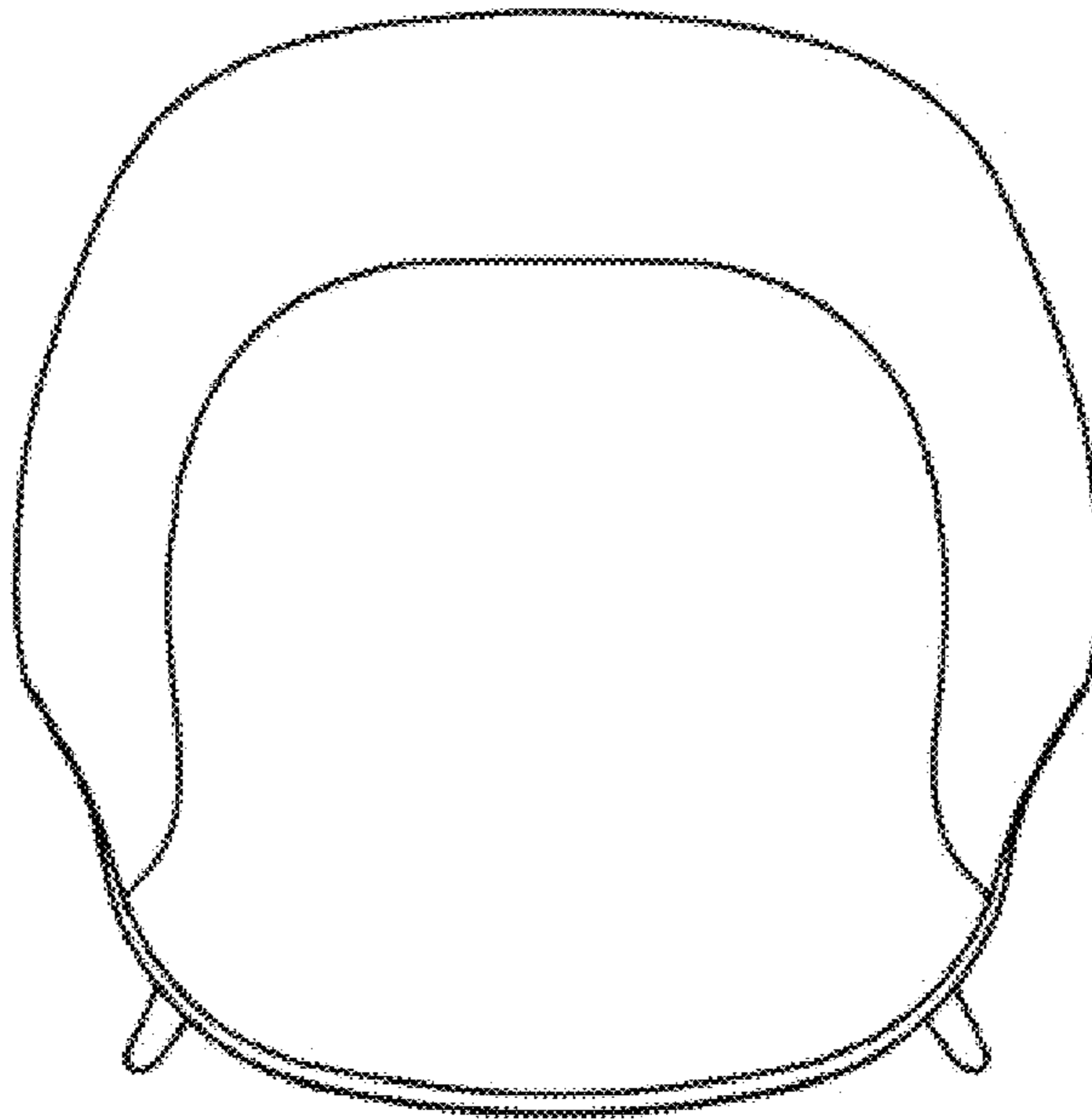


FIG. 7

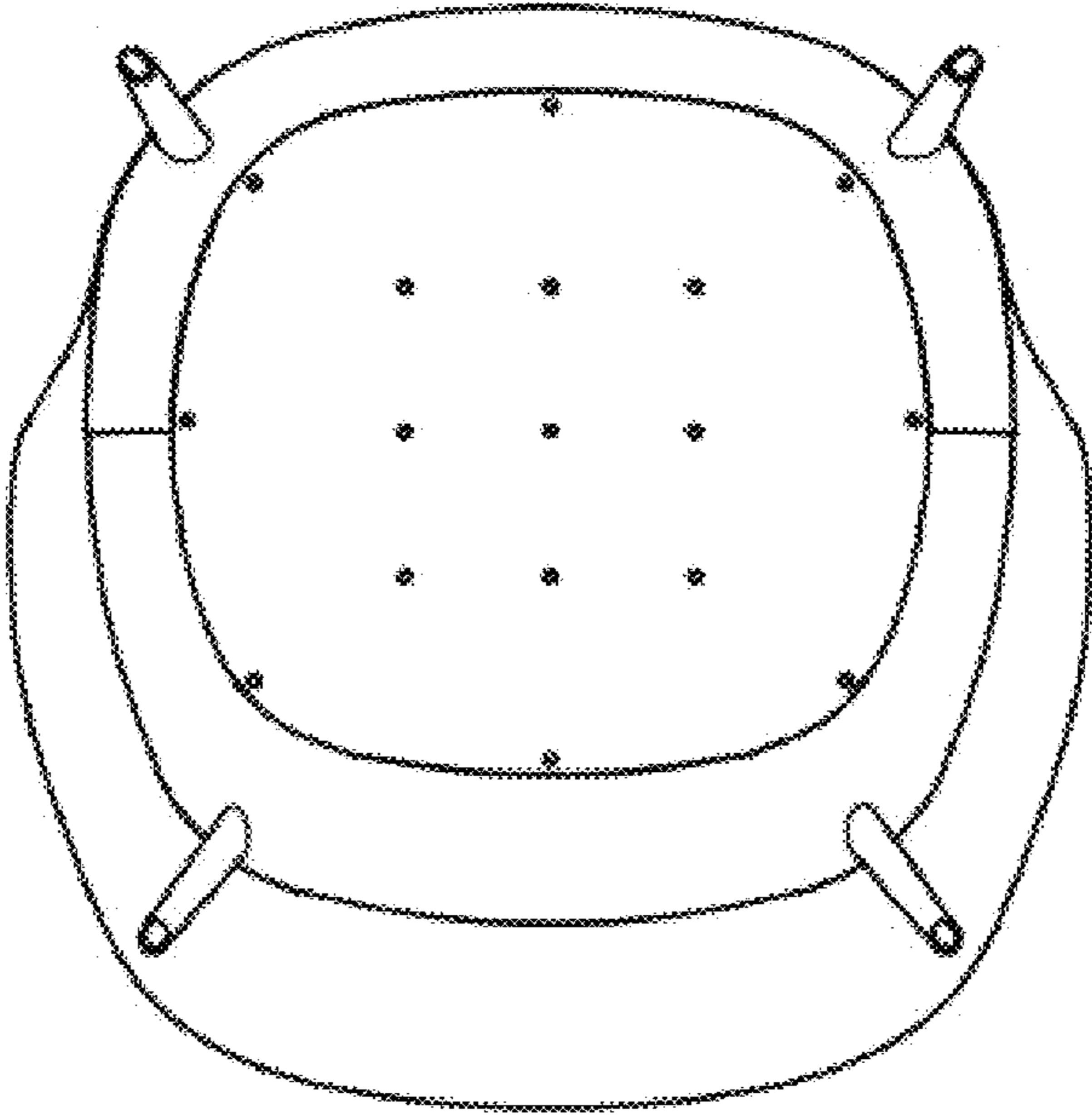


FIG. 8

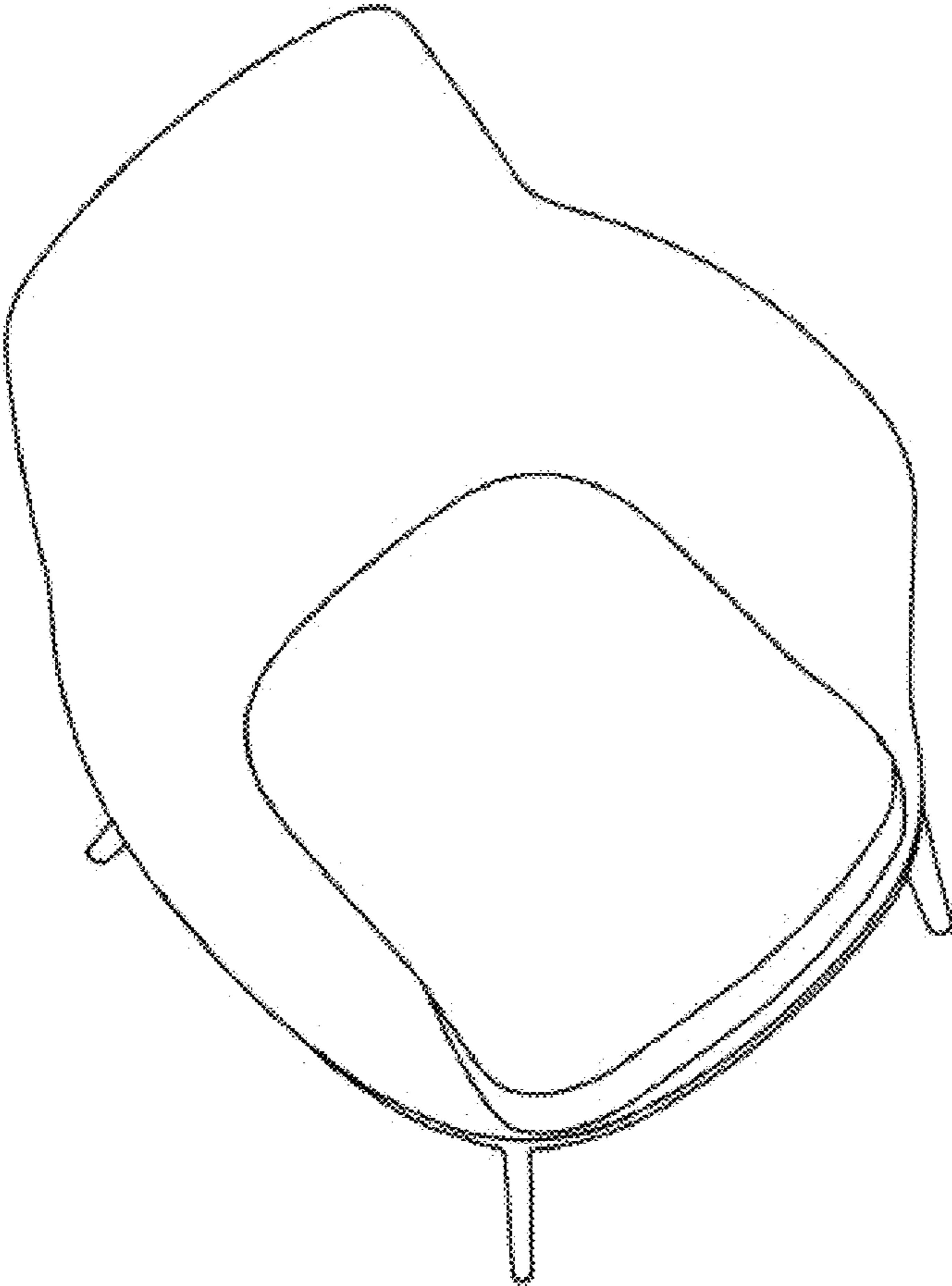


FIG. 9

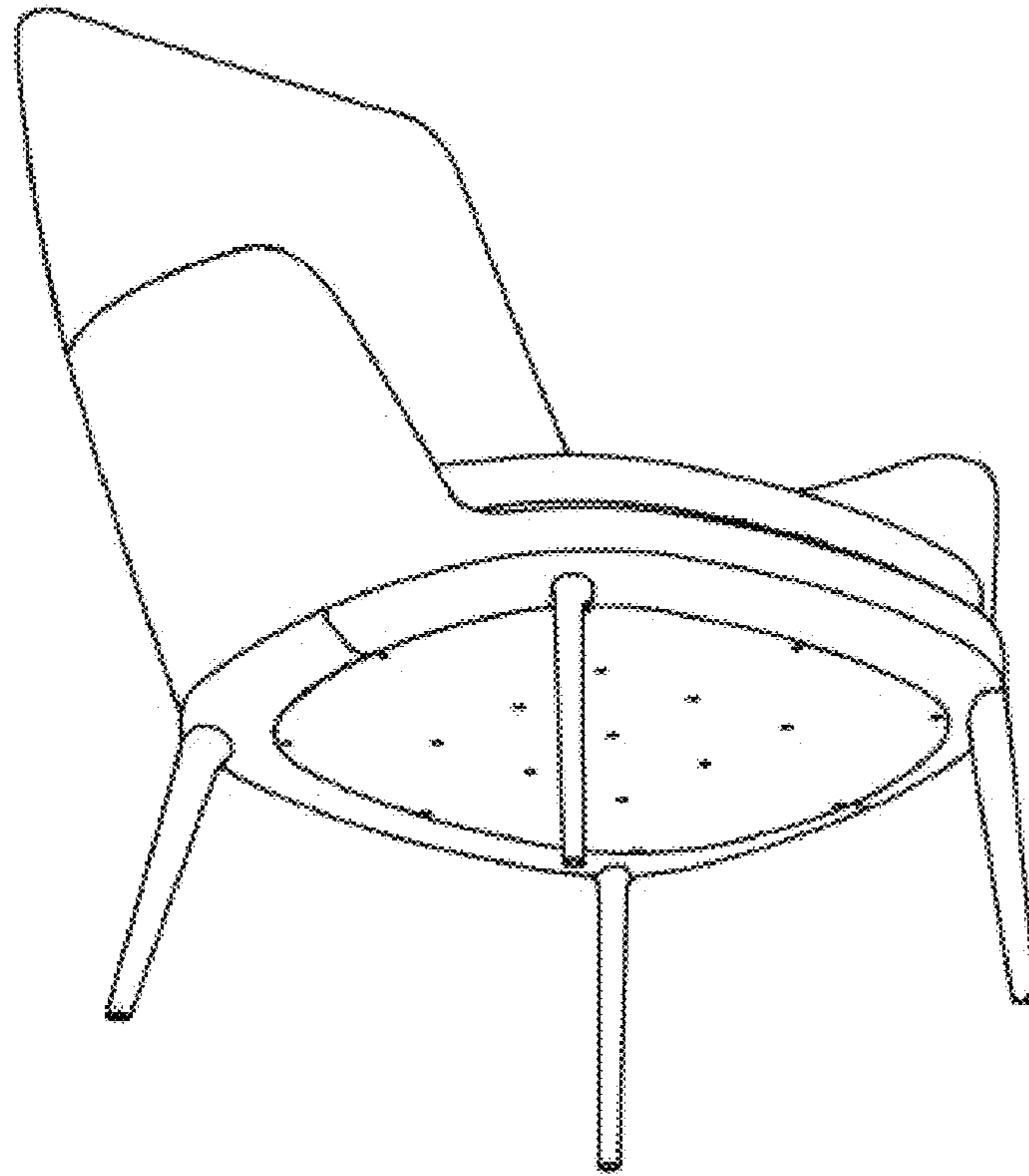


FIG. 10

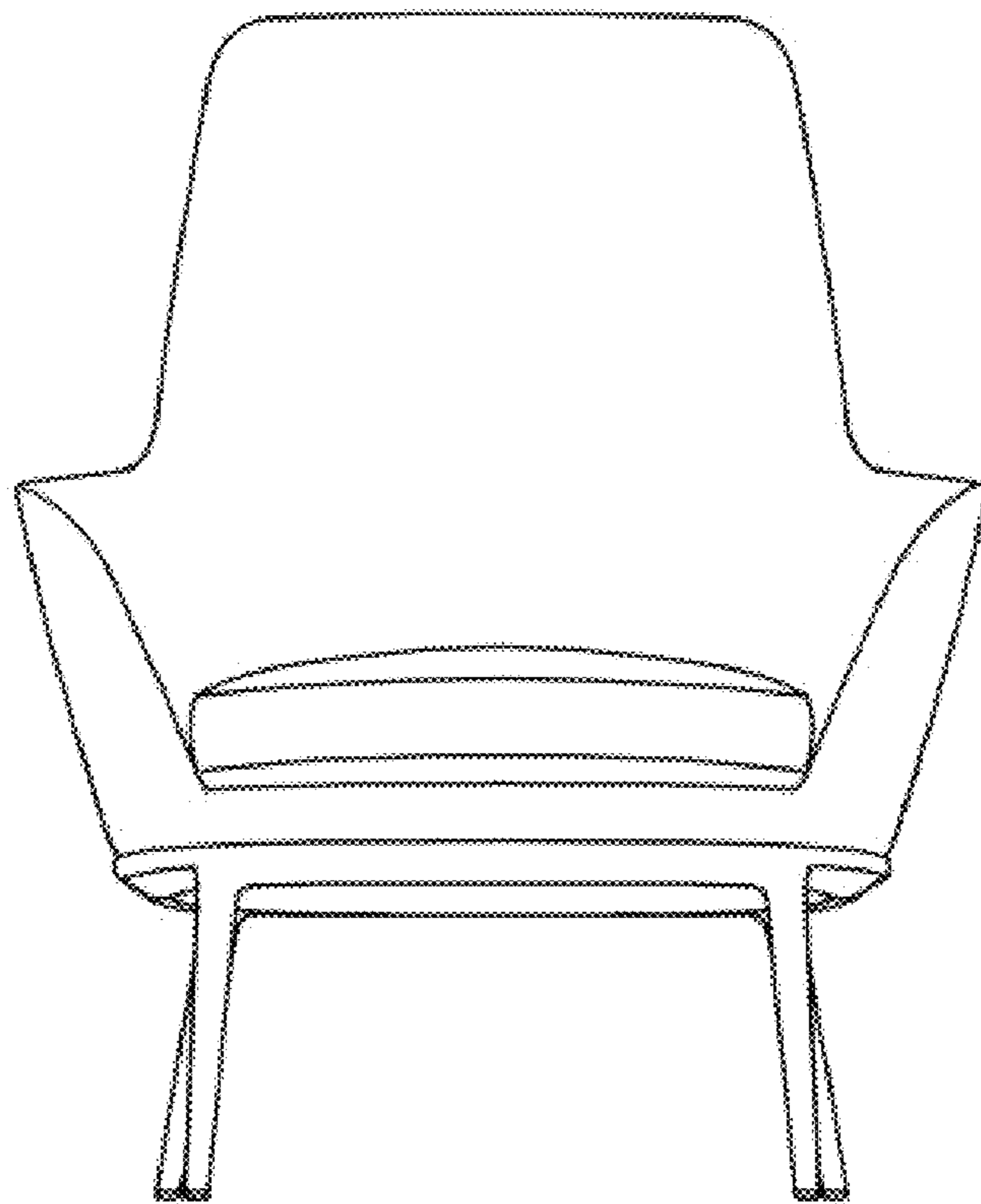


FIG. 11

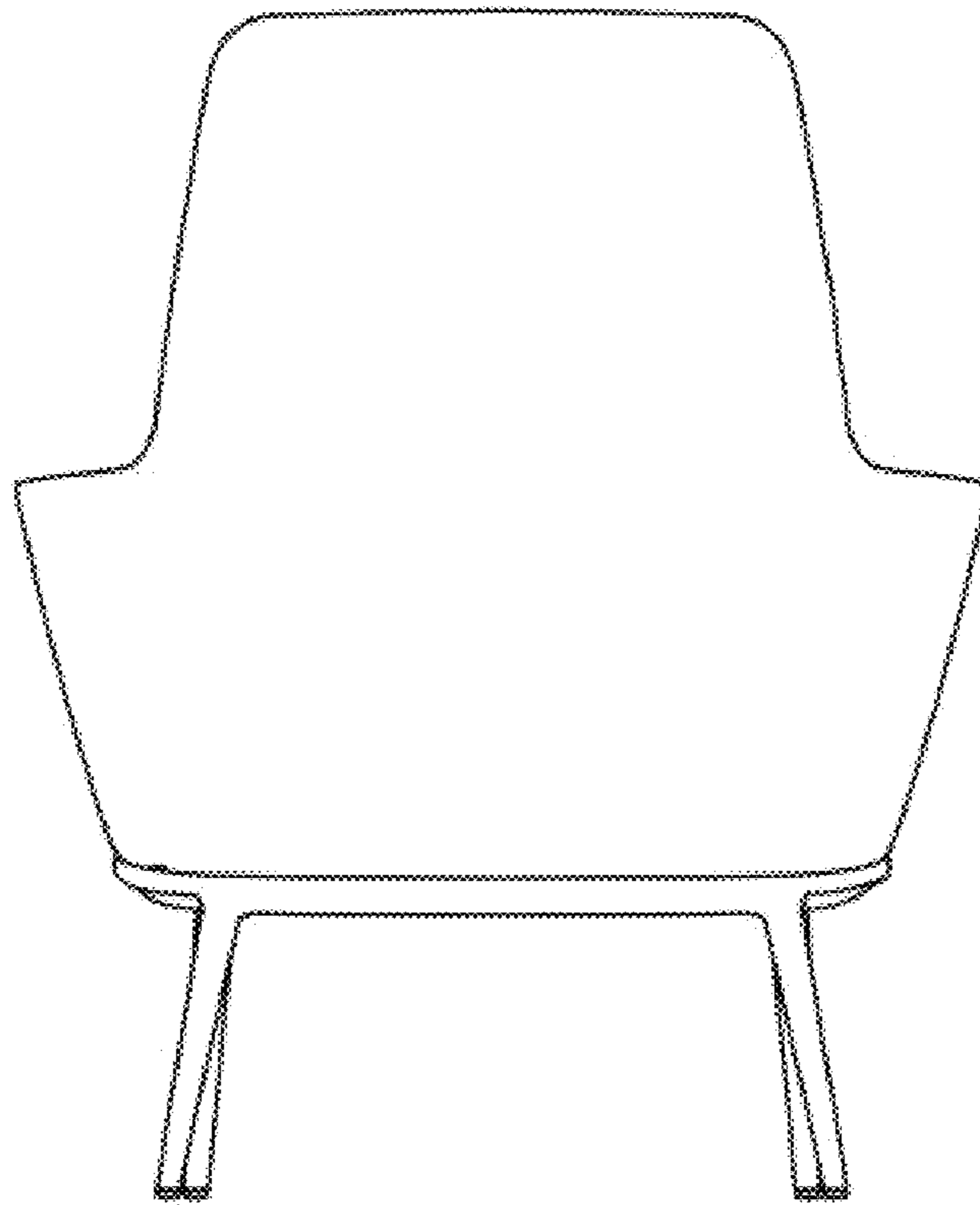


FIG. 12

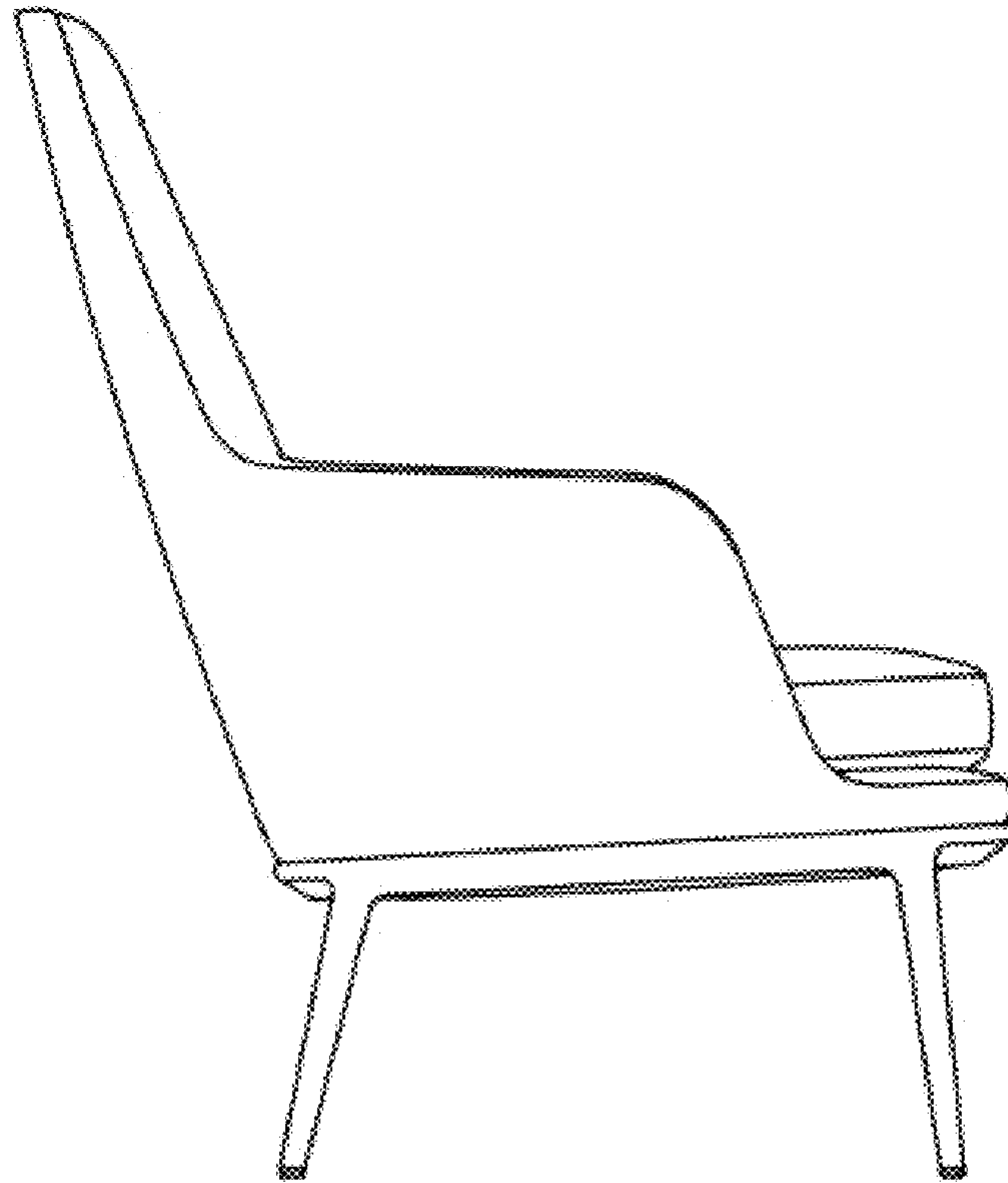


FIG. 13

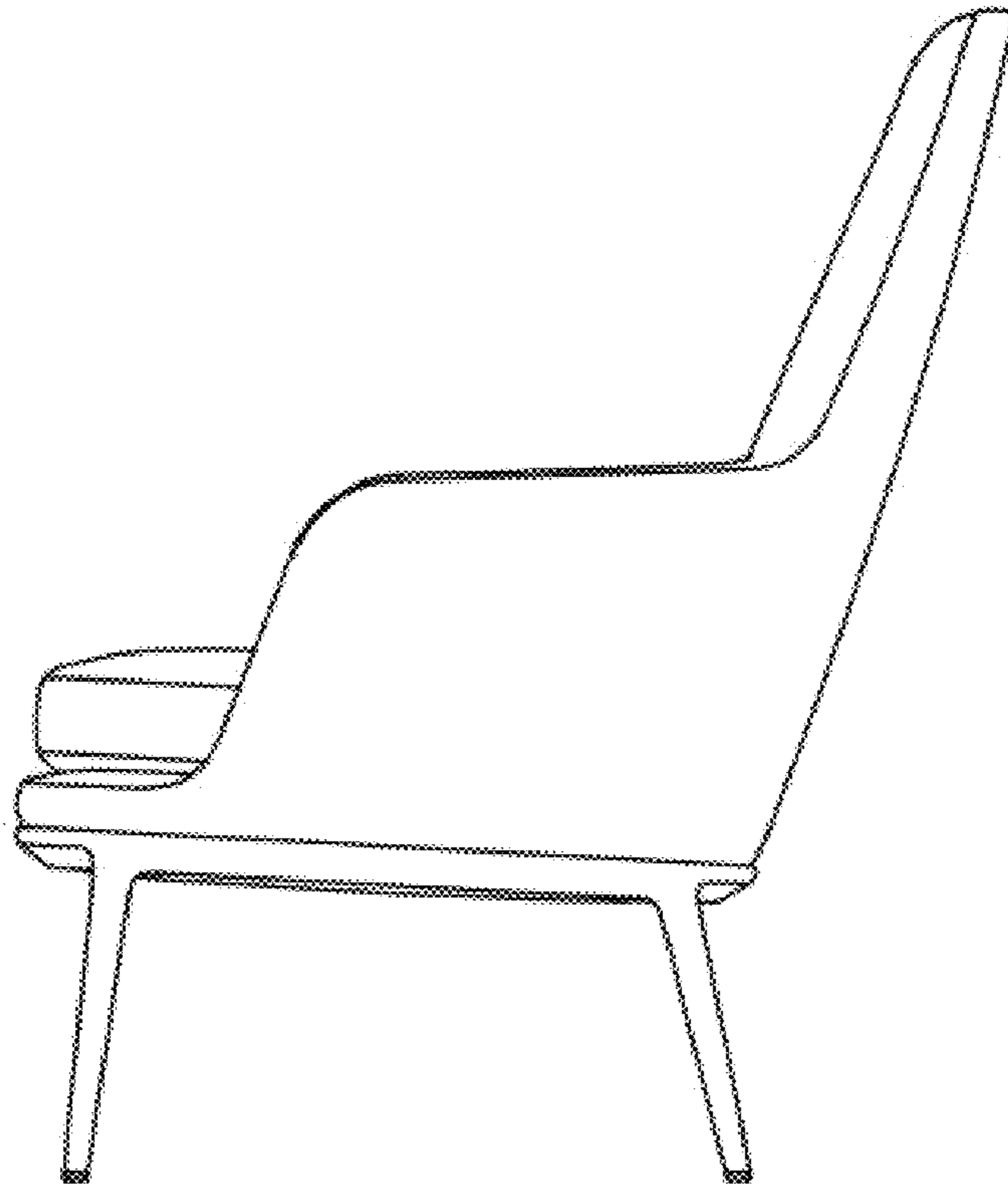


FIG. 14

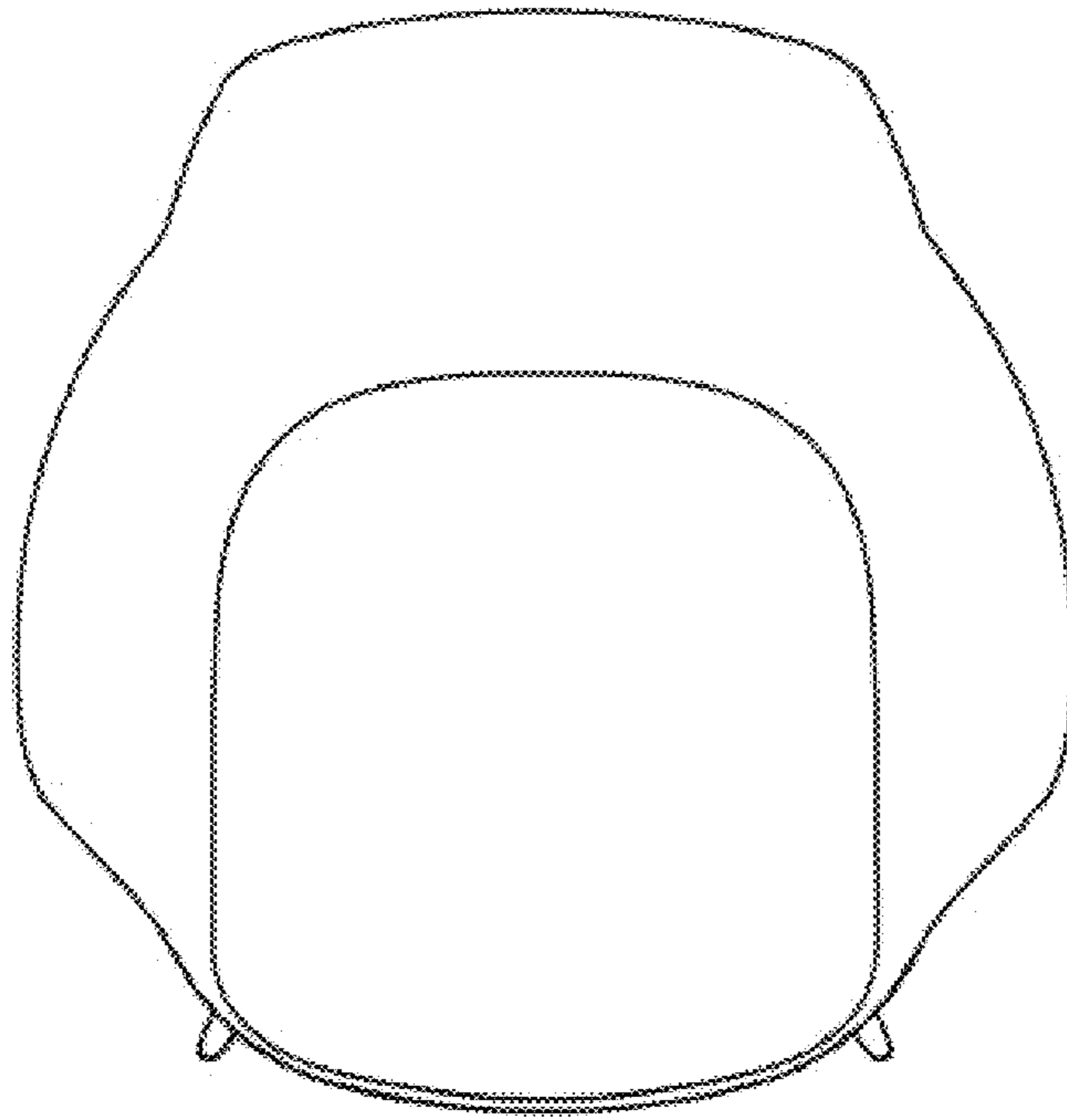


FIG. 15

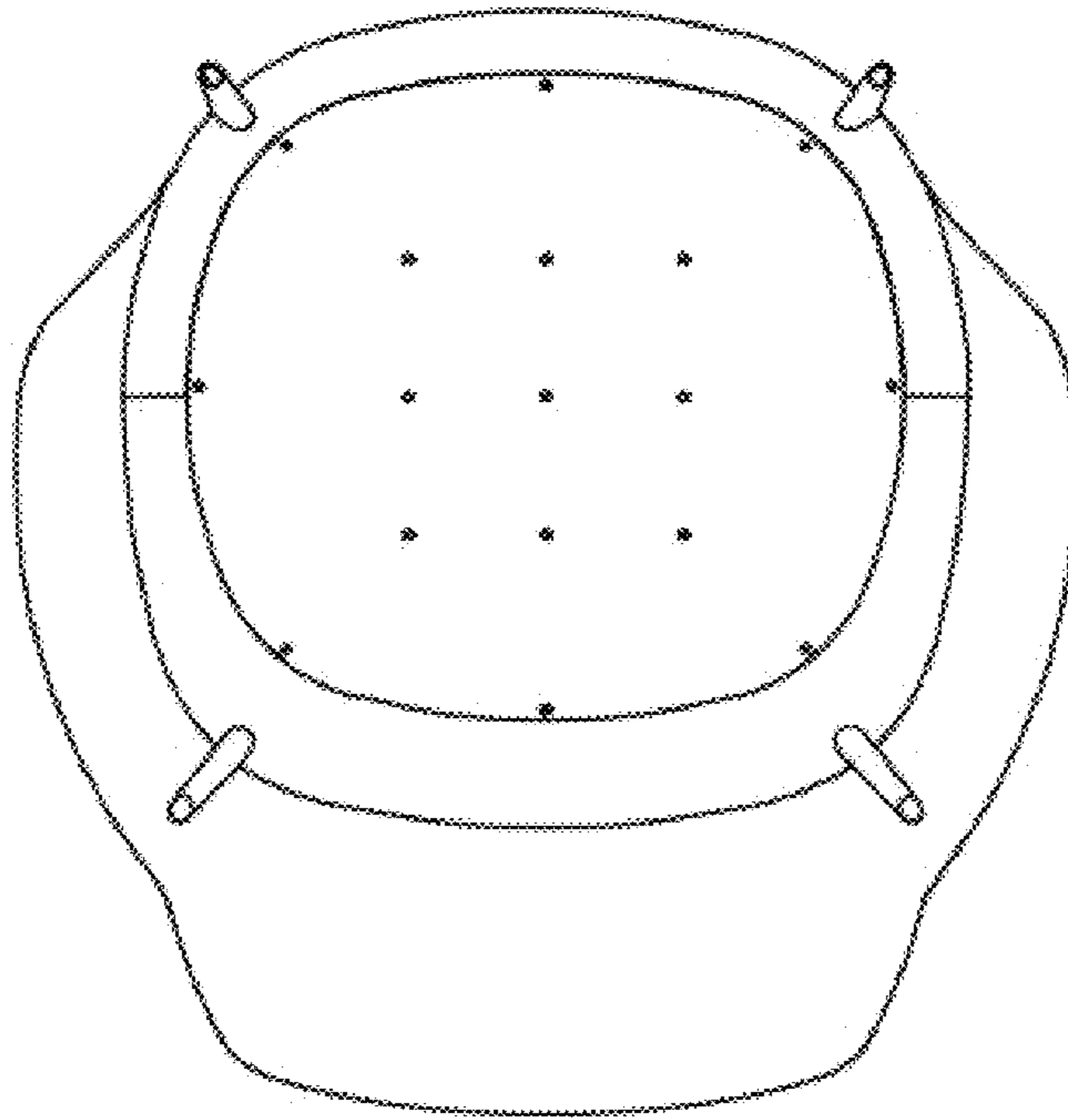


FIG. 16