

US00D965321S

(12) **United States Design Patent** (10) **Patent No.:** **US D965,321 S**
Leng (45) **Date of Patent:** **** Oct. 4, 2022**

(54) **FOLDING CHAIR**
(71) Applicant: **New-Tec Integration (Xiamen) Co., Ltd.**, Xiamen (CN)
(72) Inventor: **Luhao Leng**, Xiamen (CN)
(73) Assignee: **New-Tec Integration (Xiamen) Co., Ltd.**, Xiamen (CN)
(**) Term: **15 Years**
(21) Appl. No.: **29/725,012**
(22) Filed: **Feb. 21, 2020**
(30) **Foreign Application Priority Data**
Aug. 21, 2019 (CN) 201930455331.8
(51) **LOC (13) Cl.** **06-01**
(52) **U.S. Cl.**
USPC **D6/368**
(58) **Field of Classification Search**
USPC D6/366, 368, 374, 380, 339, 716.4;
D25/64
CPC A47C 3/04; A47C 4/24; A47C 4/28; A47C 4/38; A47C 7/282; H01J 49/42; H01J 49/063; H01J 49/4215; H01J 49/4255; Y10T 403/7171; Y10T 403/7194; A47B 83/02; A47D 1/004; A47D 1/0081; A47D 1/002; A47D 1/0085
See application file for complete search history.

(56) **References Cited**
U.S. PATENT DOCUMENTS
1,873,768 A * 8/1932 Kux A47C 4/06
297/56
D107,545 S * 12/1937 O'Connor D6/368
2,350,895 A * 6/1944 Hoover, Jr. A47C 4/14
297/58

2,364,093 A * 12/1944 O'Connor A47C 7/40
297/452.21
2,364,647 A * 12/1944 O'Connor A47C 4/24
297/452.33
2,753,922 A * 7/1956 Grimland A47C 4/24
297/58
2,757,715 A * 8/1956 Hendrickson A47C 4/24
297/58
D186,505 S * 11/1959 King et al. 297/46
3,695,687 A * 10/1972 Uyeda A47C 4/24
297/56
7,753,439 B2 * 7/2010 Akkad A47C 4/10
297/23
D677,921 S * 3/2013 Wen D6/368
D793,113 S * 8/2017 Lin D6/368
D899,803 S * 10/2020 Tabet D6/380
10,959,526 B2 * 3/2021 Leng A47C 4/10
11,071,388 B2 * 7/2021 Leng A47C 3/40
2008/0084094 A1 * 4/2008 Voris A47C 4/20
297/16.2
2008/0284215 A1 * 11/2008 Stauber A47C 3/045
297/16.2

(Continued)

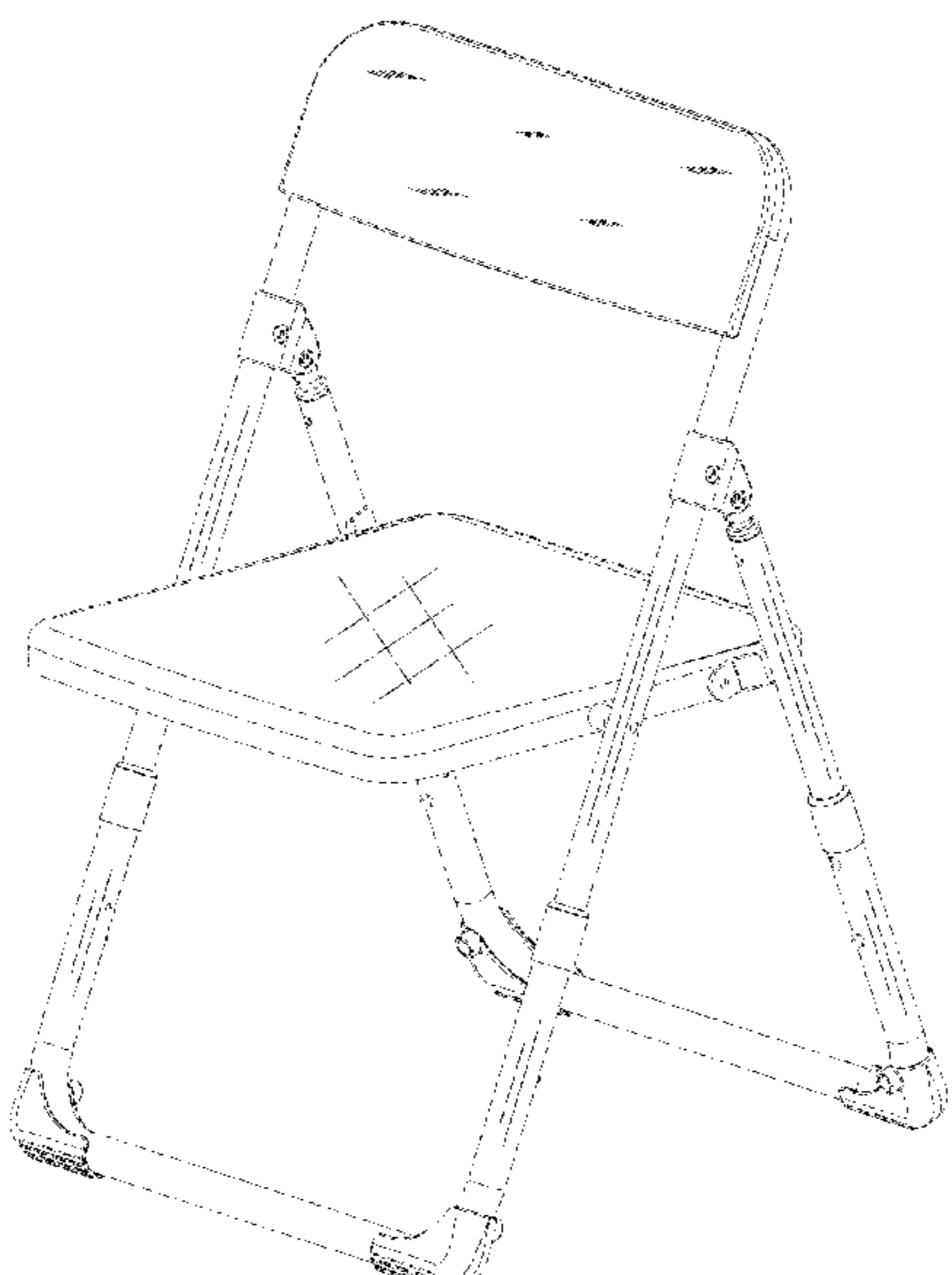
Primary Examiner — Paul D Bohannon
(74) *Attorney, Agent, or Firm* — Cooper Legal Group, LLC

(57) **CLAIM**
The ornamental design for a folding chair, as shown and described.

DESCRIPTION

FIG. 1 is a front elevation view of a folding chair showing the new design;
FIG. 2 is a rear elevation view thereof;
FIG. 3 is a left side elevation view thereof;
FIG. 4 is a right side elevation view thereof;
FIG. 5 is a top plan view thereof;
FIG. 6 is a bottom plan view thereof;
FIG. 7 is a perspective view thereof in a first position; and,
FIG. 8 is a perspective view thereof in a second position.

1 Claim, 8 Drawing Sheets



(56)

References Cited

U.S. PATENT DOCUMENTS

2011/0025104 A1* 2/2011 Fusao A47C 4/03
285/179
2015/0201759 A1* 7/2015 Winters A47C 4/04
297/48
2020/0138191 A1* 5/2020 Leng A47C 4/10
2021/0059414 A1* 3/2021 Leng A47C 3/34

* cited by examiner

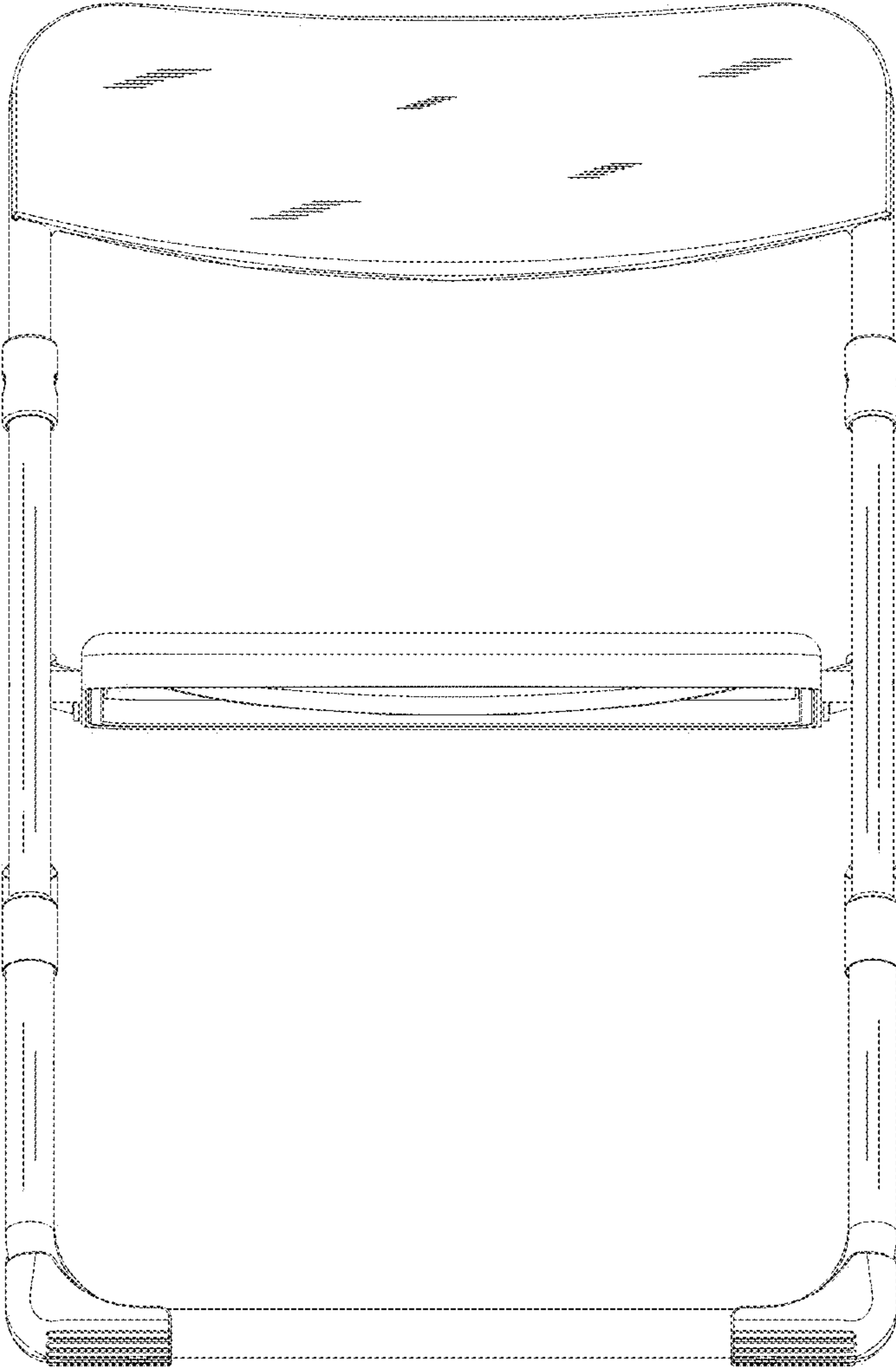


FIG. 1

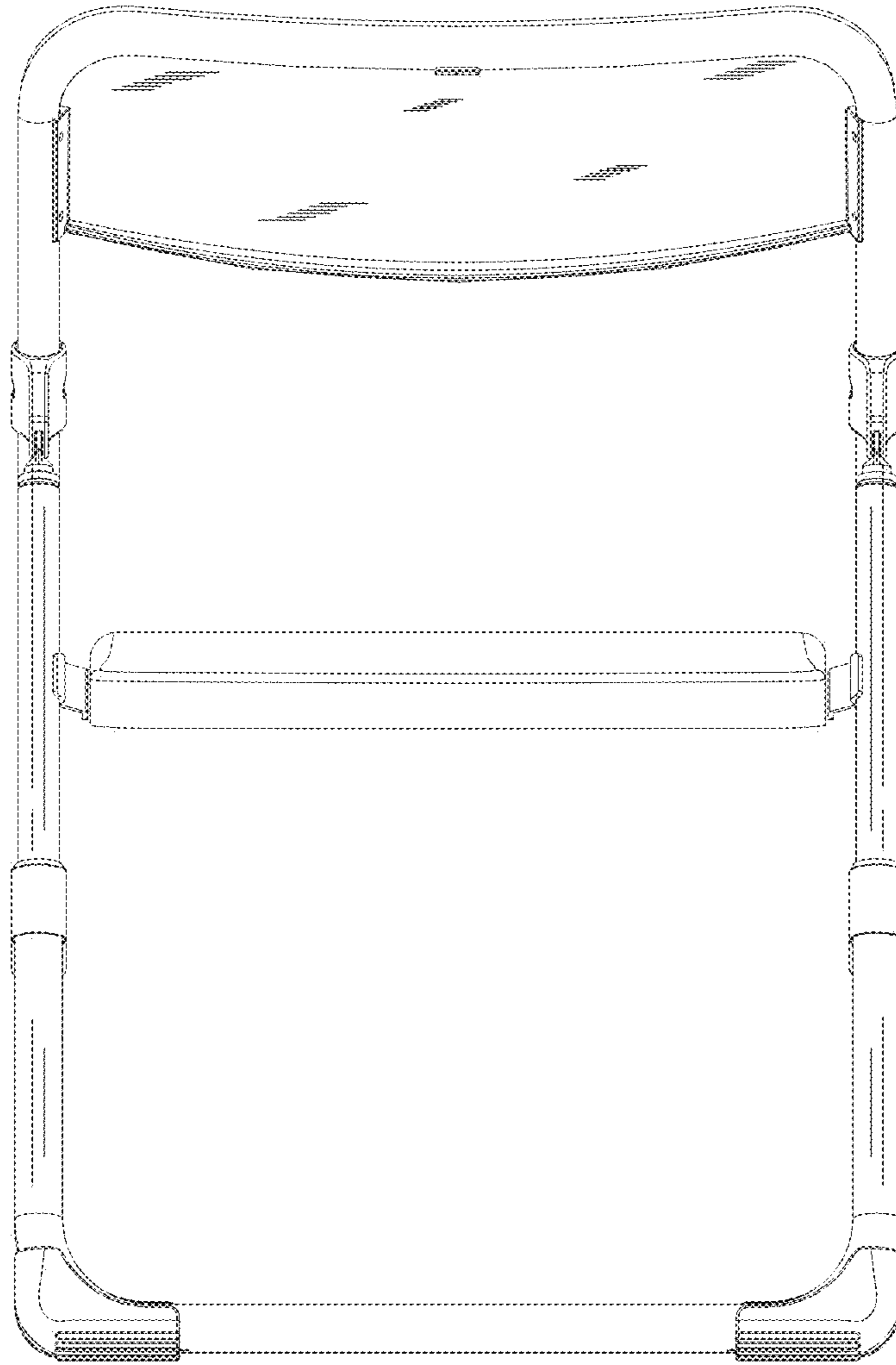


FIG. 2

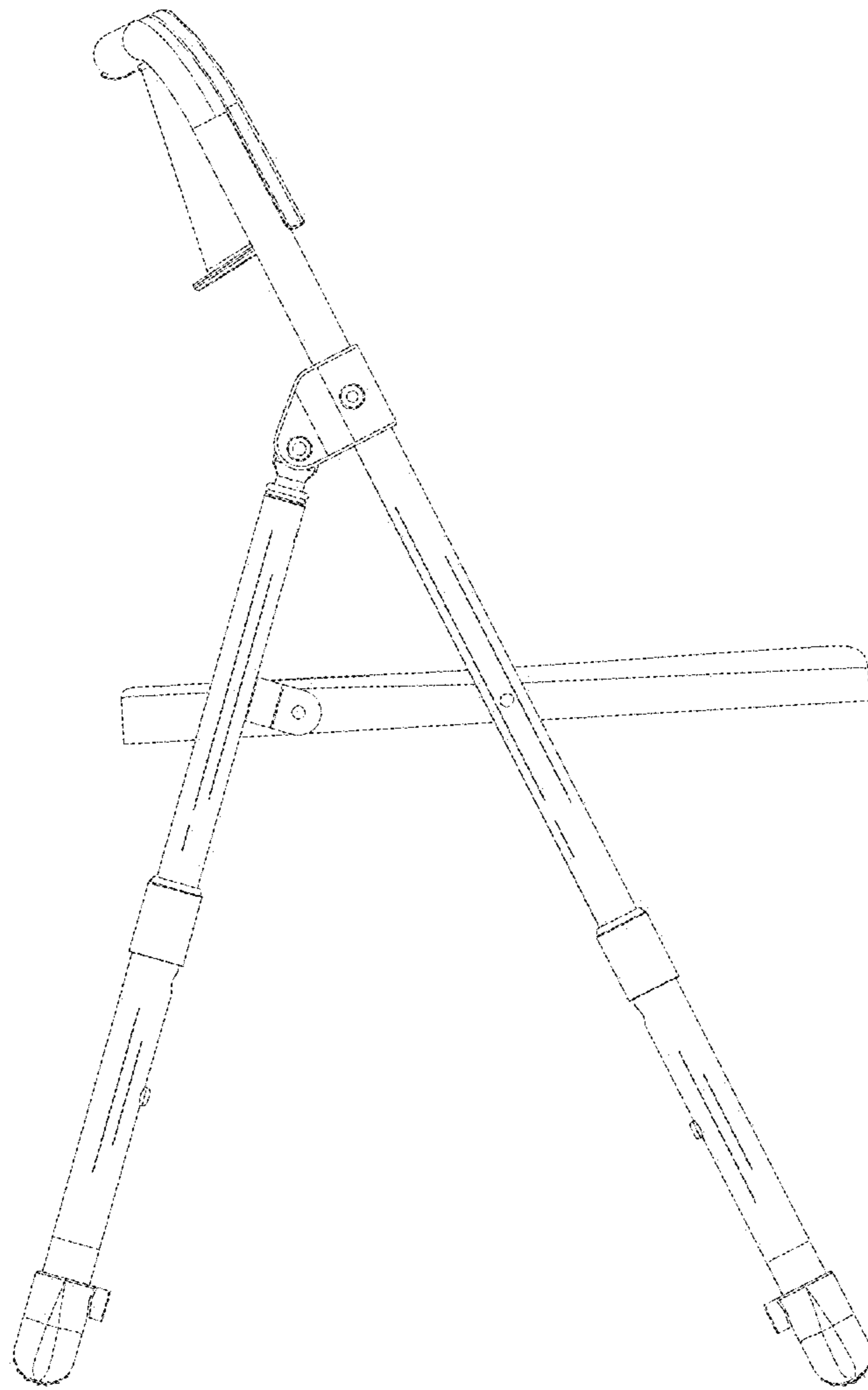


FIG. 3

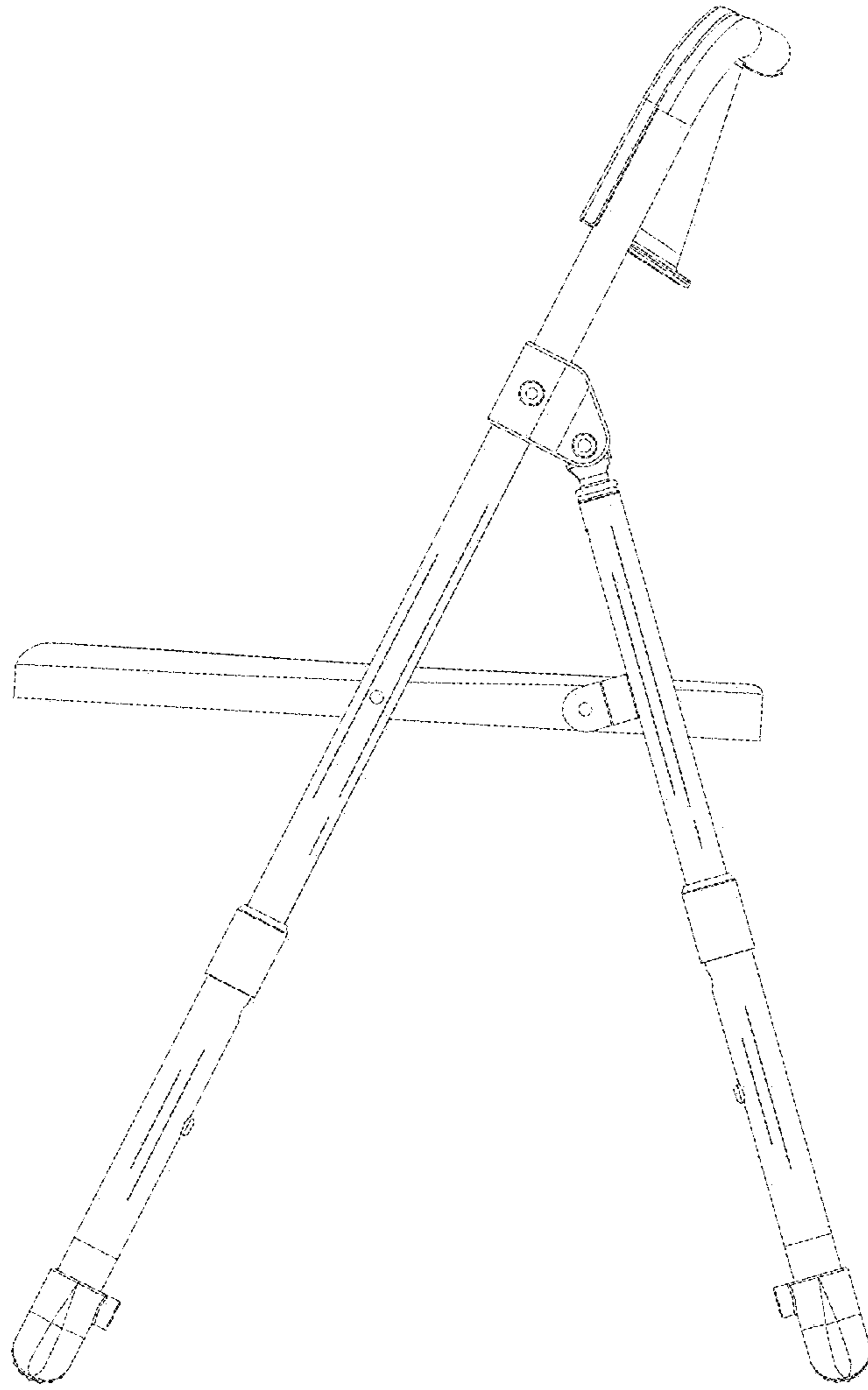


FIG. 4

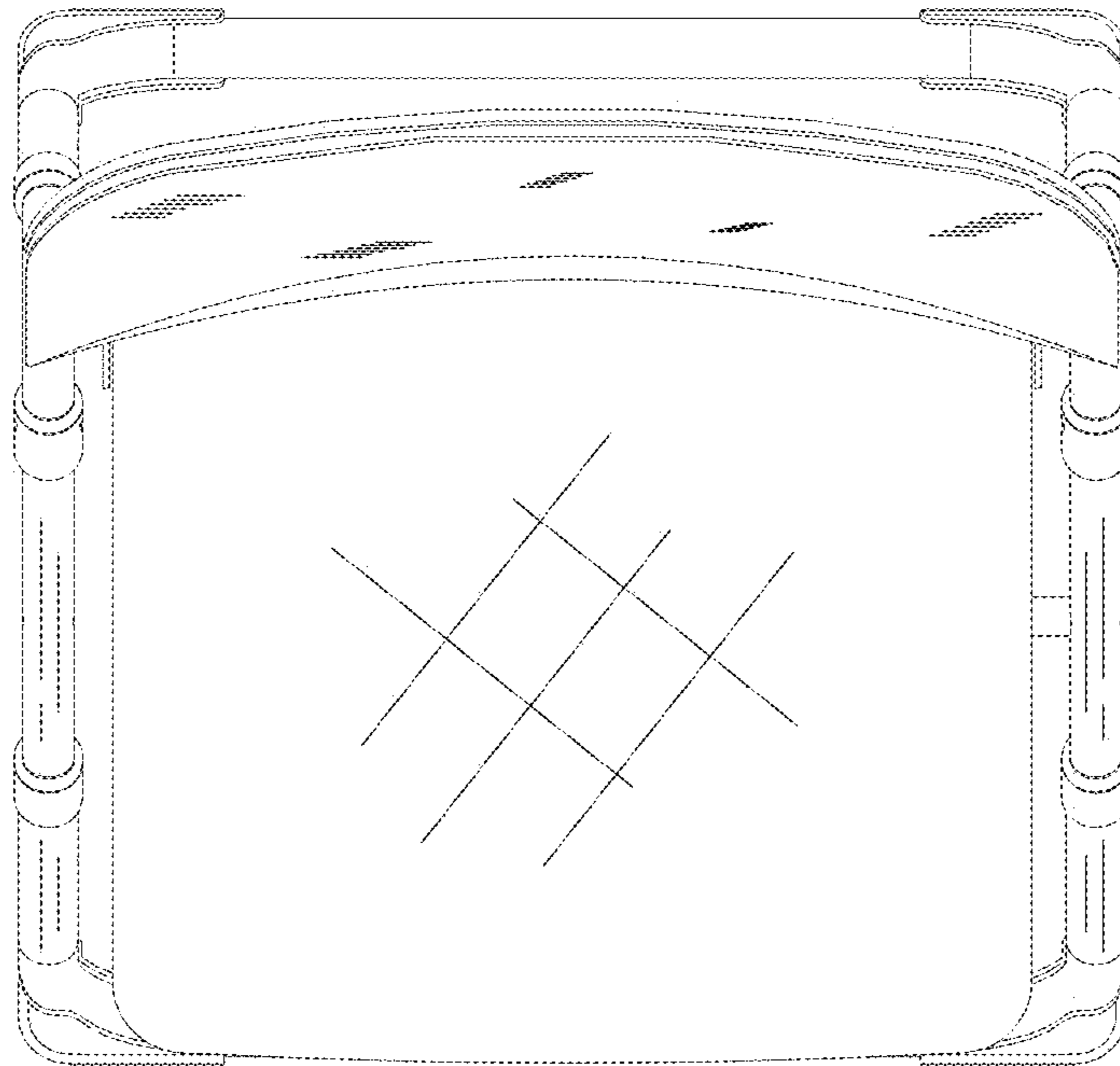


FIG. 5

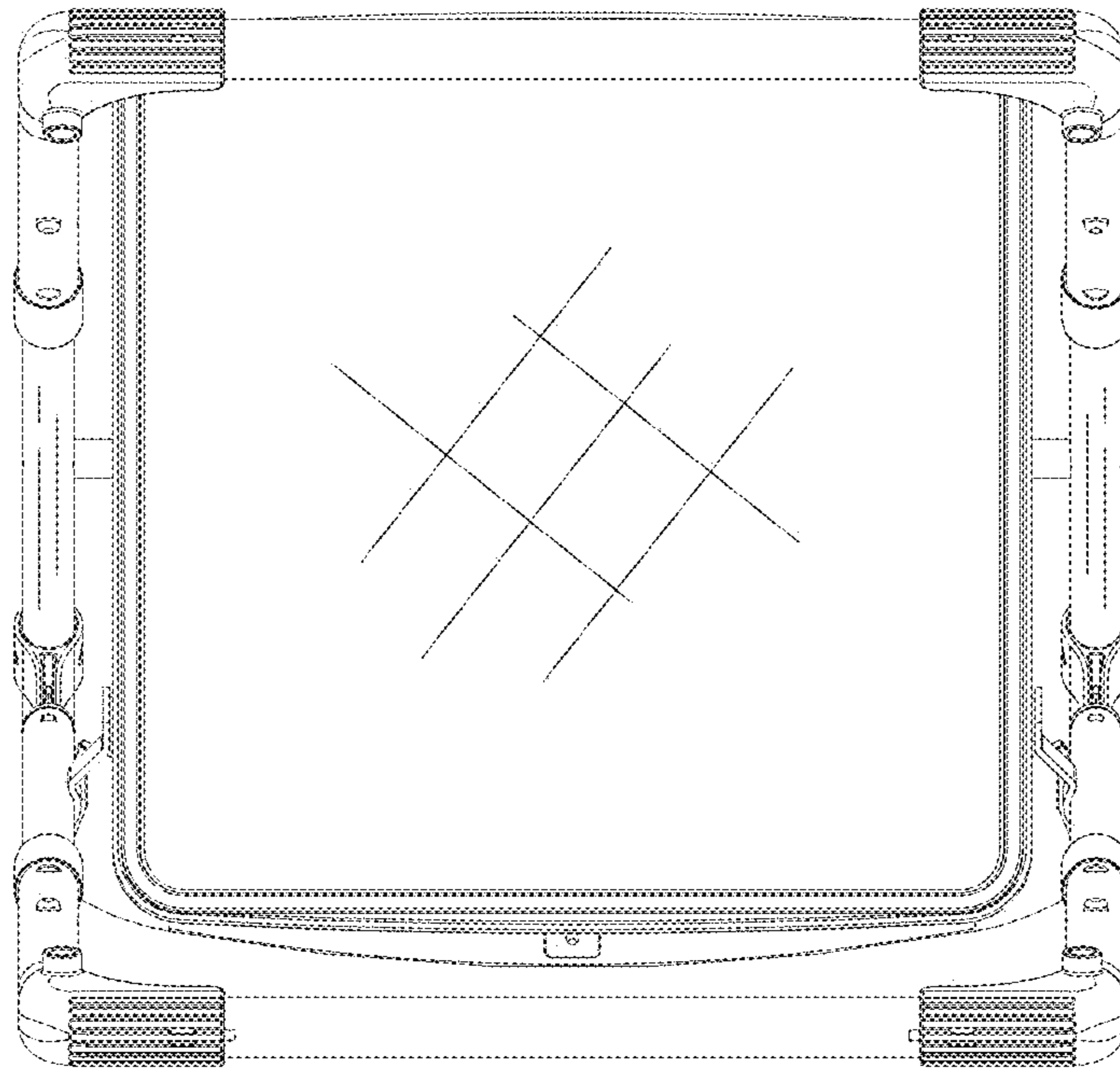


FIG. 6

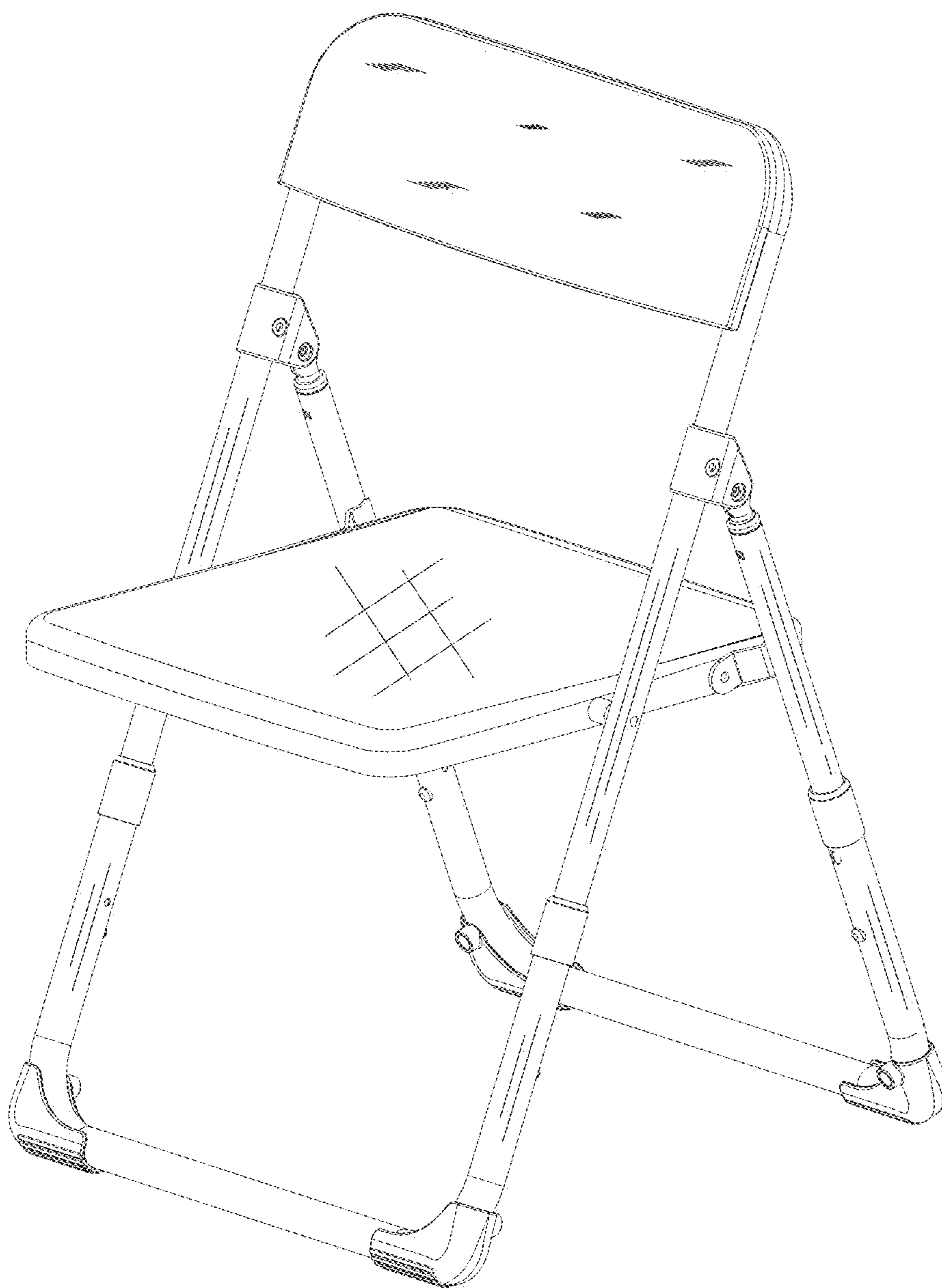


FIG. 7

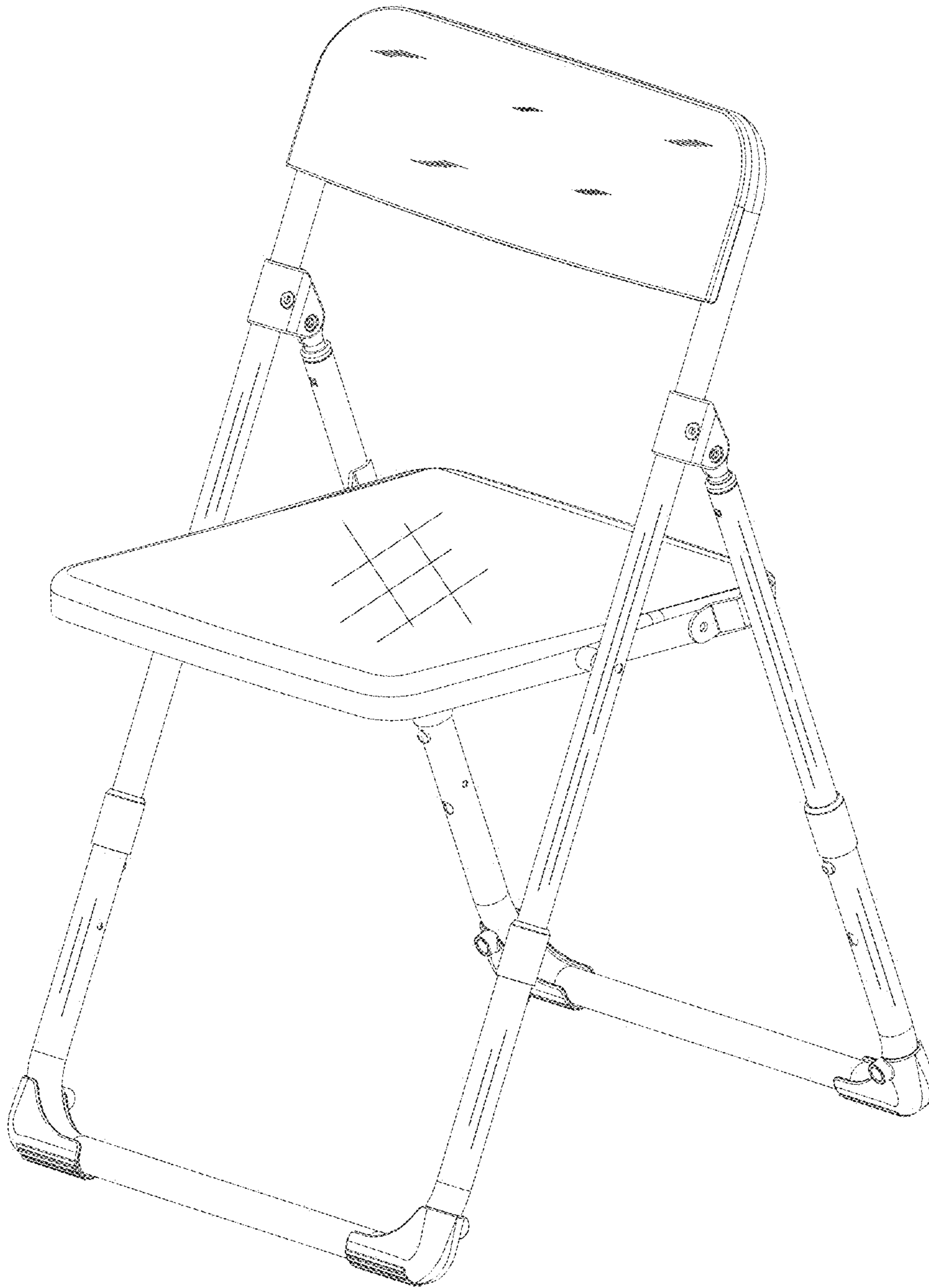


FIG. 8