

US00D965314S

(12) **United States Design Patent** (10) **Patent No.:** **US D965,314 S**
Menchions et al. (45) **Date of Patent:** **** Oct. 4, 2022**

(54) **BENCH FOR MODULAR SEATING FURNITURE**

(71) Applicant: **REPUBLIC of II BY IV Inc.**, Toronto (CA)

(72) Inventors: **Dan Menchions**, Toronto (CA); **Keith Rushbrook**, Toronto (CA)

(73) Assignee: **REPUBLIC of II BY IV Inc.**, Toronto (CA)

(**) Term: **15 Years**

(21) Appl. No.: **29/840,028**

(22) Filed: **May 25, 2022**

Related U.S. Application Data

(62) Division of application No. 29/747,045, filed on Aug. 19, 2020, now Pat. No. Des. 953,767.

(30) **Foreign Application Priority Data**

Feb. 20, 2020 (CA) CA 193238

(51) **LOC (13) Cl.** **06-01**

(52) **U.S. Cl.**
USPC **D6/349**

(58) **Field of Classification Search**

USPC D6/334, 341, 349, 350, 352, 353, 360,
D6/364, 369, 373, 374, 375, 380, 677,
(Continued)

(56) **References Cited**

U.S. PATENT DOCUMENTS

D228,325 S * 9/1973 Korch D6/377
D229,133 S * 11/1973 Parpaiola D6/377
(Continued)

OTHER PUBLICATIONS

Examination Report, for Canadian Patent Application No. 193238, dated Aug. 11, 2021, 2 pages.

(Continued)

Primary Examiner — Paul D Bohannon

(74) *Attorney, Agent, or Firm* — Westman, Champlin & Koehler, P.A.

(57) **CLAIM**

The ornamental design for bench for modular seating furniture, as shown and described.

DESCRIPTION

FIG. 1 is a perspective view of a first embodiment showing the claimed design;

FIG. 2 is a bottom perspective view thereof;

FIG. 3 is a right end view thereof;

FIG. 4 is a rear view thereof;

FIG. 5 is a left end view thereof;

FIG. 6 is a front view thereof;

FIG. 7 is a top view thereof;

FIG. 8 is a bottom view thereof;

FIG. 9 is a front perspective view of a second embodiment showing the claimed design;

FIG. 10 is right end view thereof;

FIG. 11 is a rear view thereof;

FIG. 12 is a left end view thereof;

FIG. 13 is a front view thereof;

FIG. 14 is a top view thereof;

FIG. 15 is a front perspective view of a third embodiment showing the claimed design;

FIG. 16 is a bottom perspective view thereof;

FIG. 17 is a right end view thereof;

FIG. 18 is a rear view thereof;

FIG. 19 is a left end view thereof;

FIG. 20 is a front view thereof;

FIG. 21 is a top view thereof;

FIG. 22 is a bottom view thereof;

FIG. 23 is a front perspective view of a fourth embodiment showing the claimed design;

FIG. 24 is a right end view thereof;

FIG. 25 is a rear view thereof;

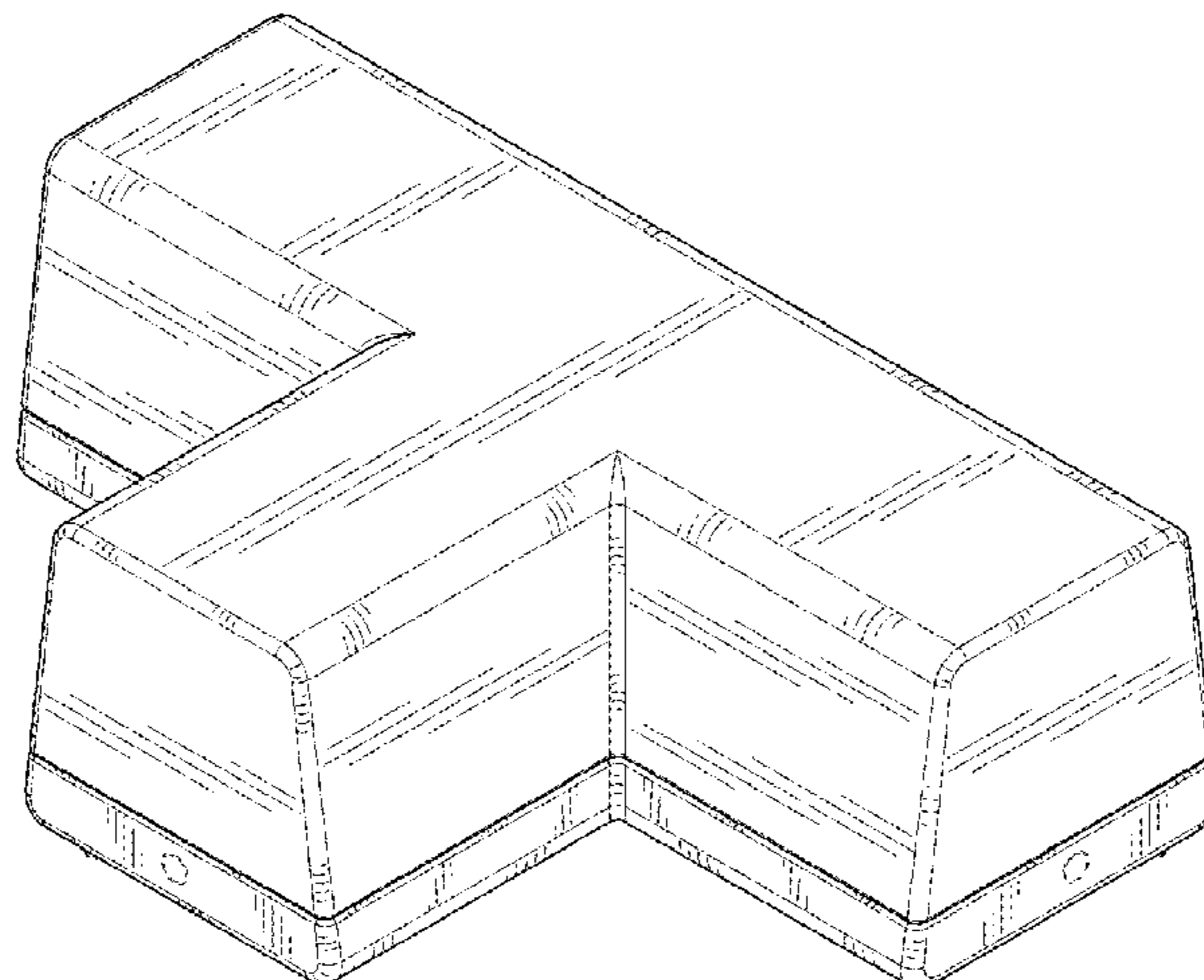
FIG. 26 is a left end view thereof;

FIG. 27 is a front view thereof; and,

FIG. 28 is a top view thereof.

The dashed broken lines shown on the upper portions of the article, along the edges of the ends of the article, and through

(Continued)



the middle section of the article, are included for the purpose of illustrating stitching forming part of the claimed design. The stippled broken lines shown on the base portions of the article are portions of the article forming no part of the claimed design.

1 Claim, 20 Drawing Sheets

(58) Field of Classification Search

USPC ... D6/692, 700, 708, 708.16, 716, 372, 333,
 D6/348, 354, 359, 377, 688.26, 378, 381,
 D6/663; D23/304
 CPC A47C 3/34; A47C 7/506; A47C 9/007;
 A47C 13/023; A47C 4/028; A47C 4/02;
 A47C 3/04; A47C 3/12; A63B 2023/006
 See application file for complete search history.

(56) References Cited

U.S. PATENT DOCUMENTS

D273,253 S	4/1984	Dubbin et al.	
D290,559 S	6/1987	Raftery	
D547,967 S	8/2007	Oldham	
D550,974 S	9/2007	Thornbury	
D566,416 S	4/2008	Mourgue	
D566,417 S	4/2008	Mourgue	
D566,980 S	4/2008	Mourgue	
D576,820 S	9/2008	Priestman	
D578,318 S	10/2008	Laflamme	
D587,918 S	3/2009	Bergman et al.	
D605,868 S	12/2009	Holbrook	
D610,365 S	2/2010	Young-il et al.	
D610,827 S *	3/2010	Nigro	D6/377
D613,958 S	4/2010	Holbrook	

D619,387 S	7/2010	Davenport	
D643,638 S	8/2011	Weichselbaumer	
D708,451 S	7/2014	Gashcy et al.	
D727,650 S	4/2015	Lee	
D749,868 S	2/2016	Nikolajsen	
D764,189 S *	8/2016	Edwards	D6/349
D817,653 S	5/2018	Lee	
D821,763 S	7/2018	Woods	
D830,715 S	10/2018	Siebert et al.	
D831,761 S	10/2018	Stricklin	
D838,129 S	1/2019	Castaneda Roldan et al.	
D894,623 S	9/2020	Kimmel	
D897,700 S	10/2020	Kulik et al.	
D908,385 S	1/2021	Hahne et al.	
D910,331 S	2/2021	Cooper et al.	
D919,999 S	5/2021	Velez	
D953,767 S *	6/2022	Menchions	D6/381
2008/0096740 A1 *	4/2008	Nichols	A63B 22/20 482/121
2010/0184567 A1 *	7/2010	Lim	A63B 21/0004 482/23
2013/0029815 A1 *	1/2013	Lu	A63B 26/003 482/142

OTHER PUBLICATIONS

U.S. Patent Office issued prosecution for U.S. Appl. No. 29/747,045, filed Aug. 19, 2020, including: Notice of Allowance and Fees Due (PTOL-85) dated Feb. 2, 2022, 9 pages; Requirement for Restriction-Election dated Oct. 6, 2021, 9 pages; 18 pages total.
 Npl: "SABLUE Replica Gold Bar Fake Golden Brick Bullion Movie Prop Novelty Gift Joke (S)" Mar. 14, 2019, amazon.com, site visited Jan. 5, 2022 <https://www.amazon.com/SABLE-Replica-Golden-Bullion-Novelty/dp/B07JVQFHRX/ref=cm_cr_ar_p_d_product_top?ie=UTF8> (Year: 2019).

* cited by examiner

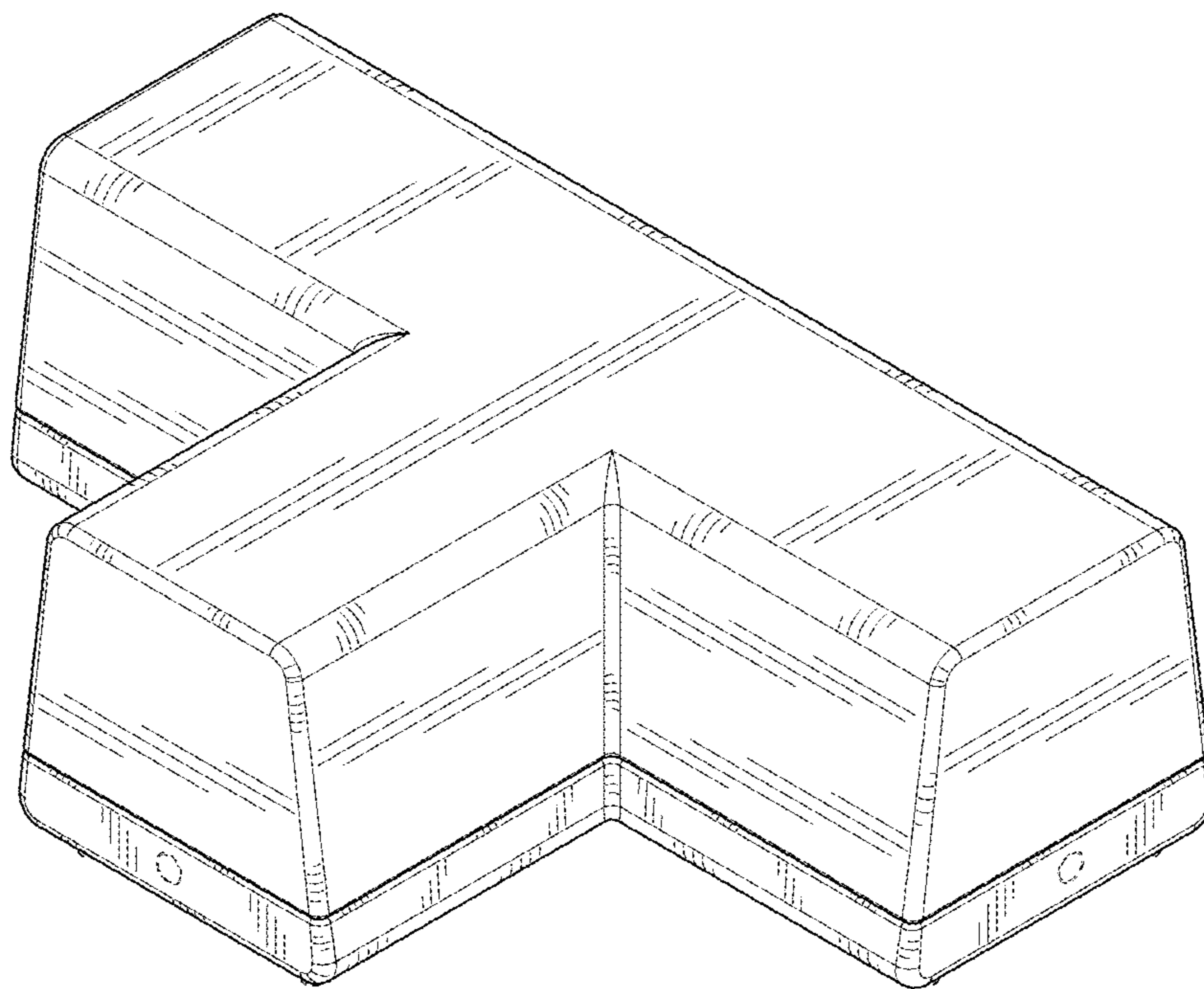


FIG. 1

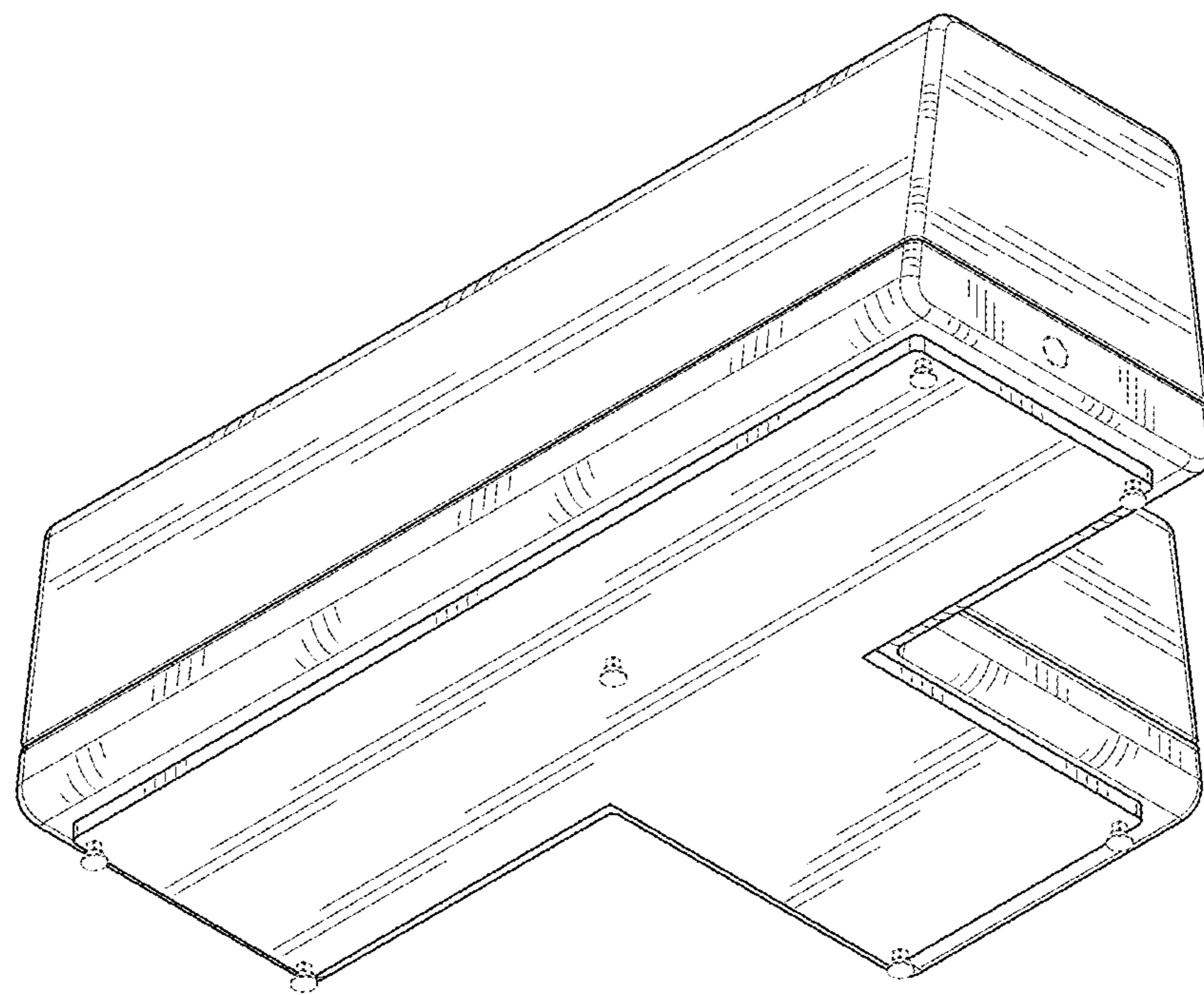


FIG. 2

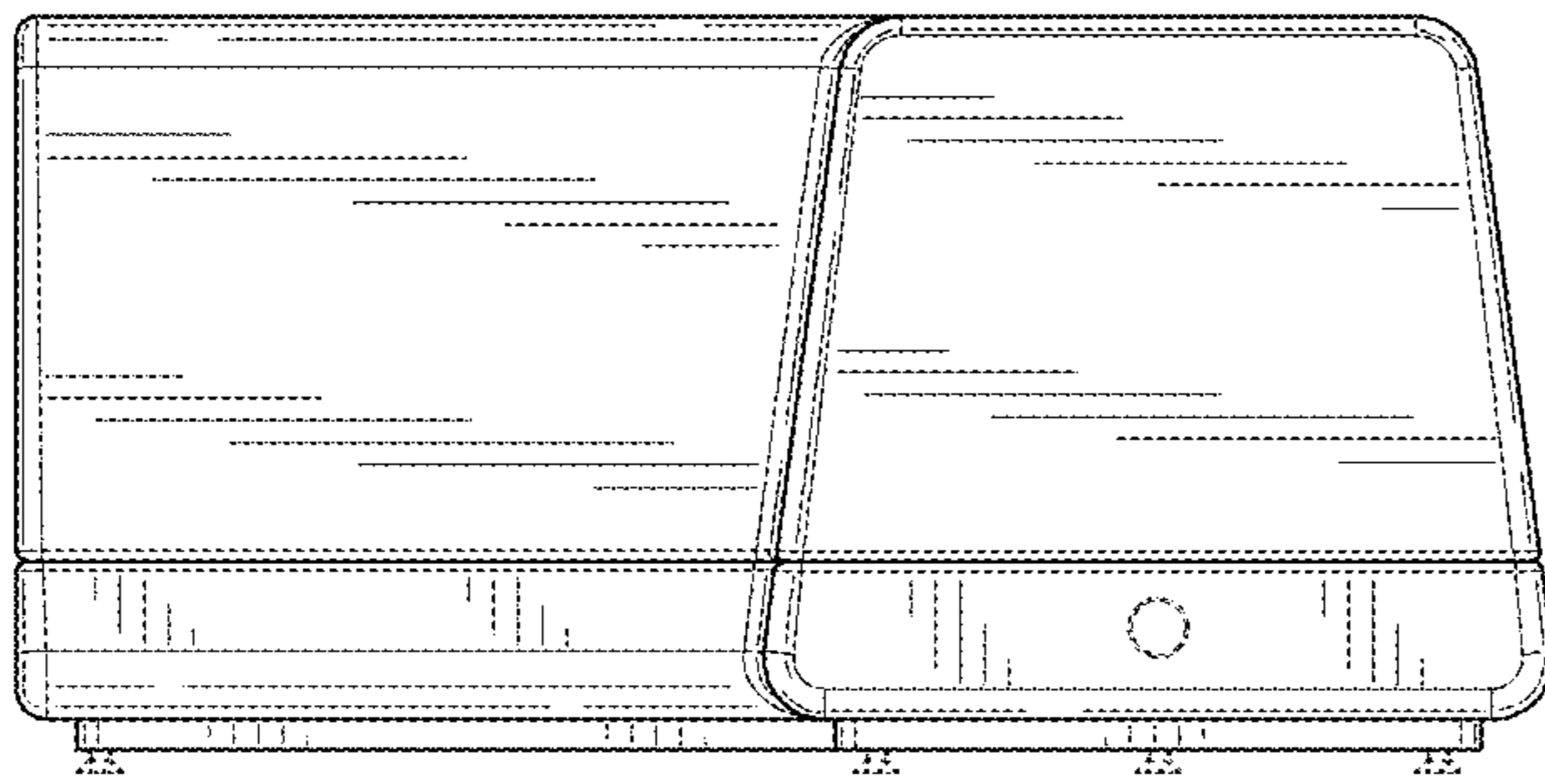


FIG. 3

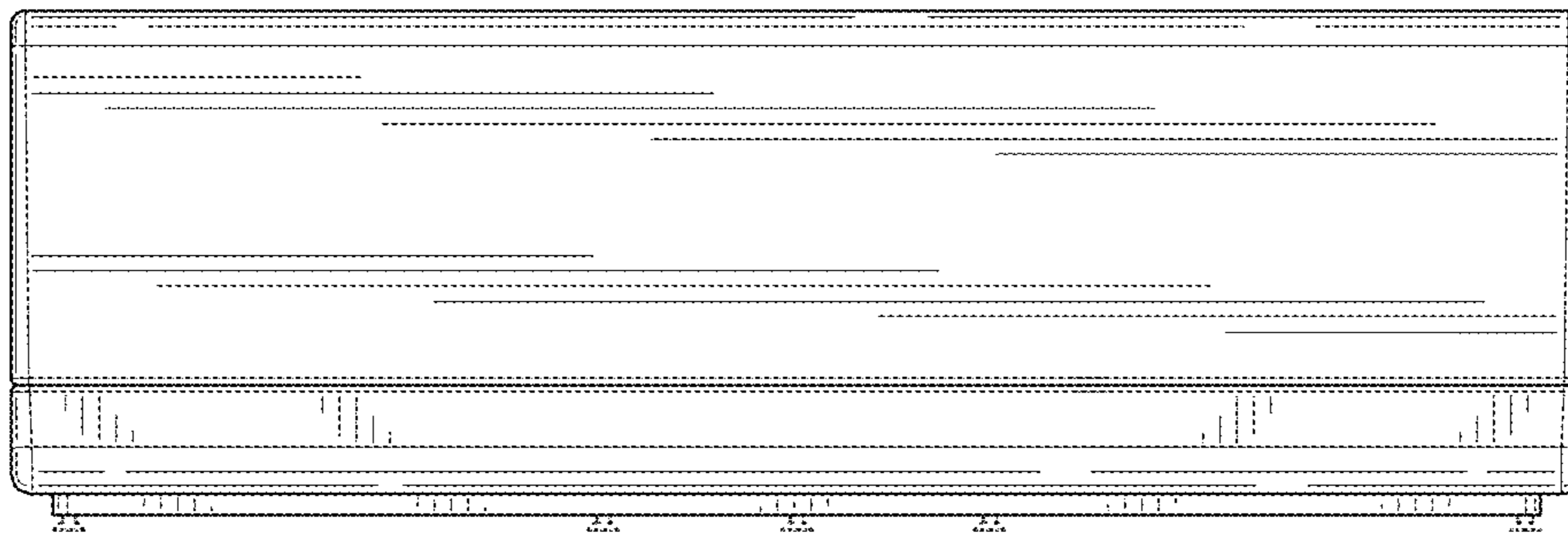


FIG. 4

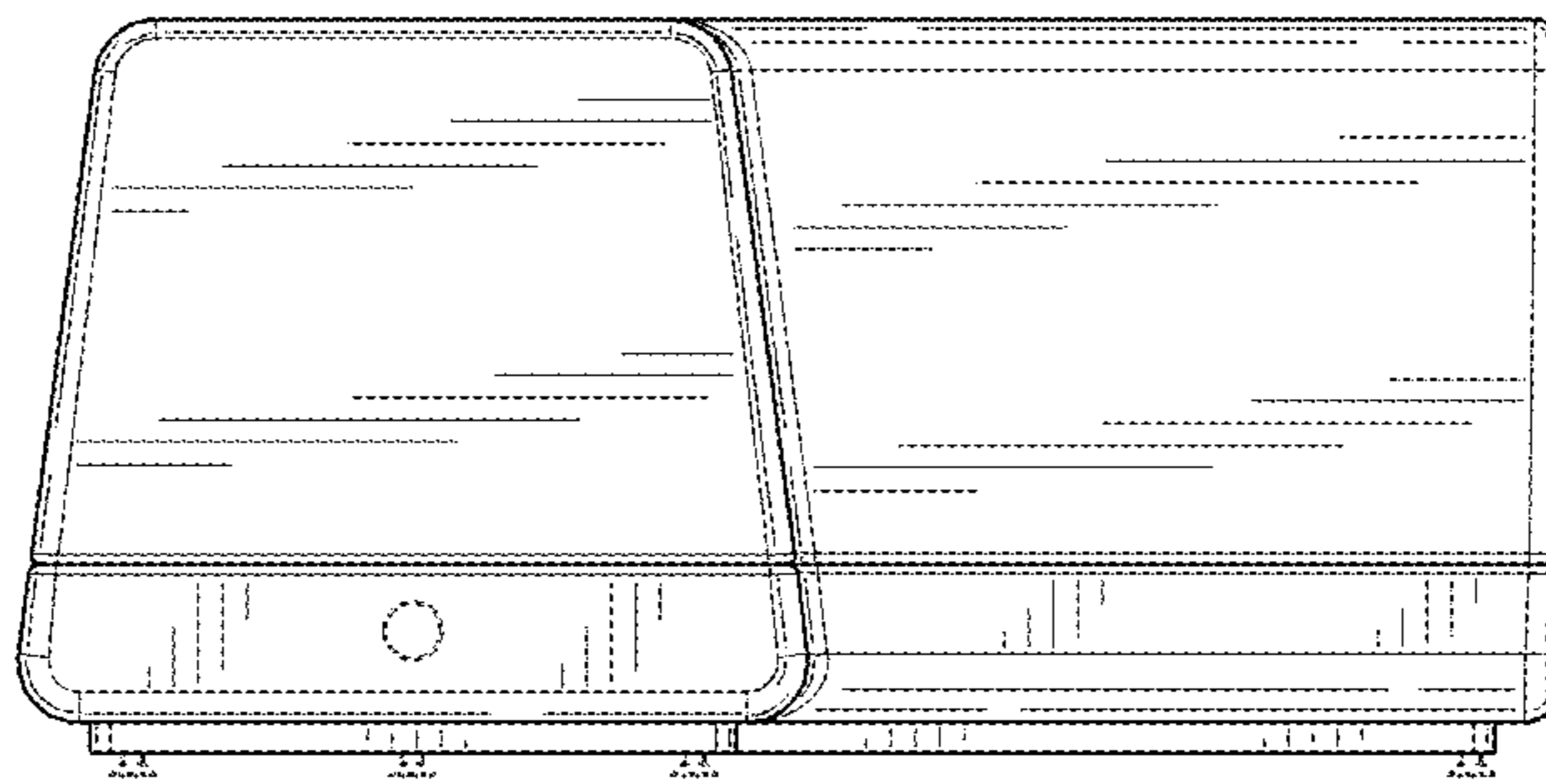


FIG. 5

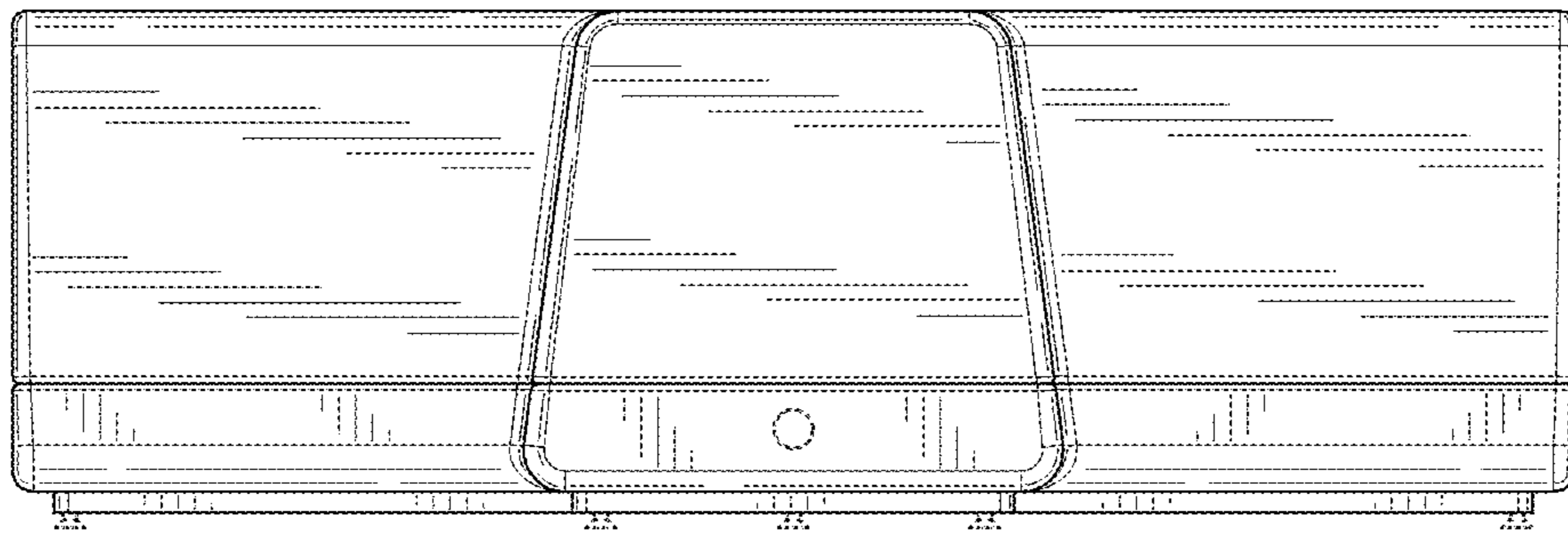


FIG. 6

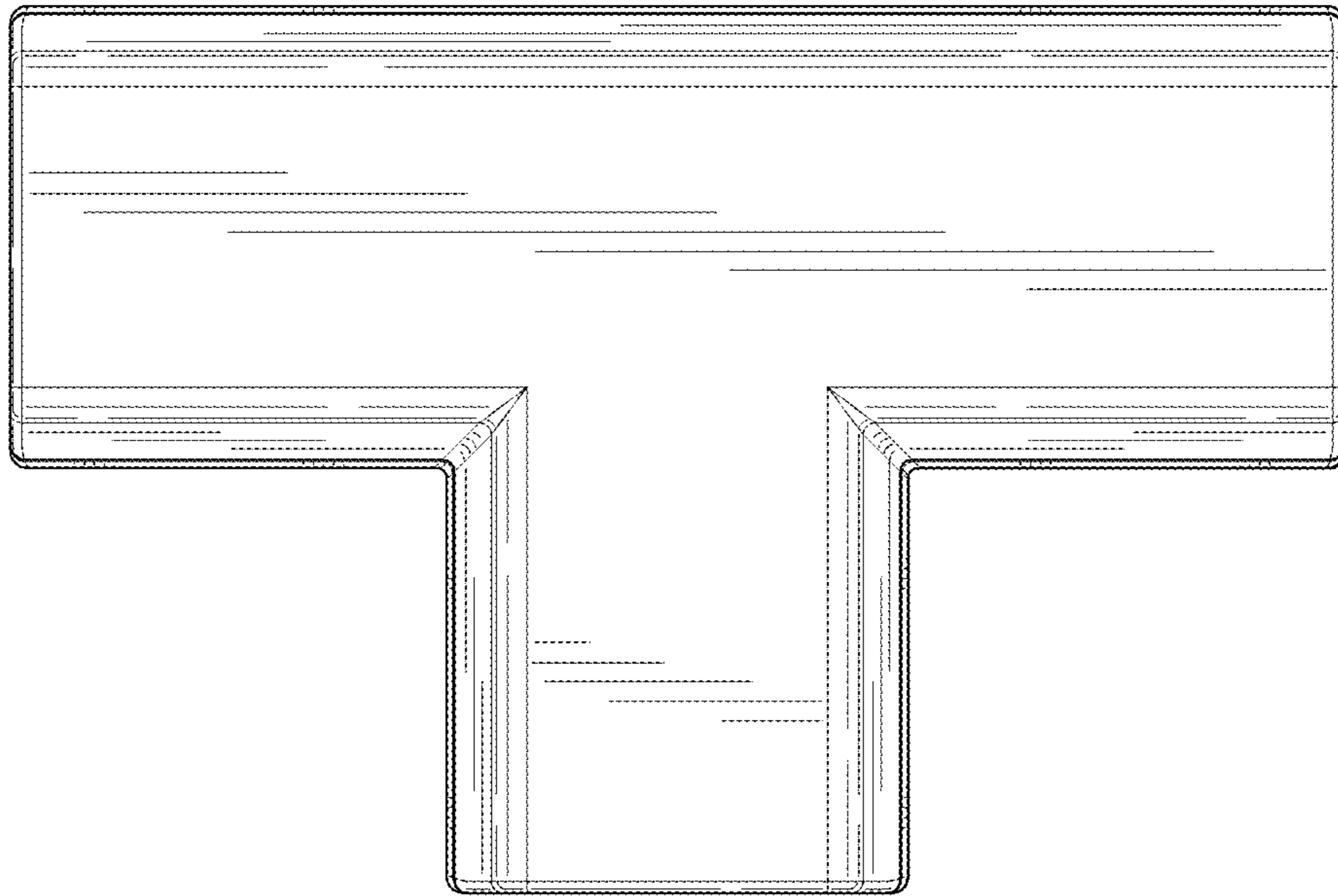


FIG. 7

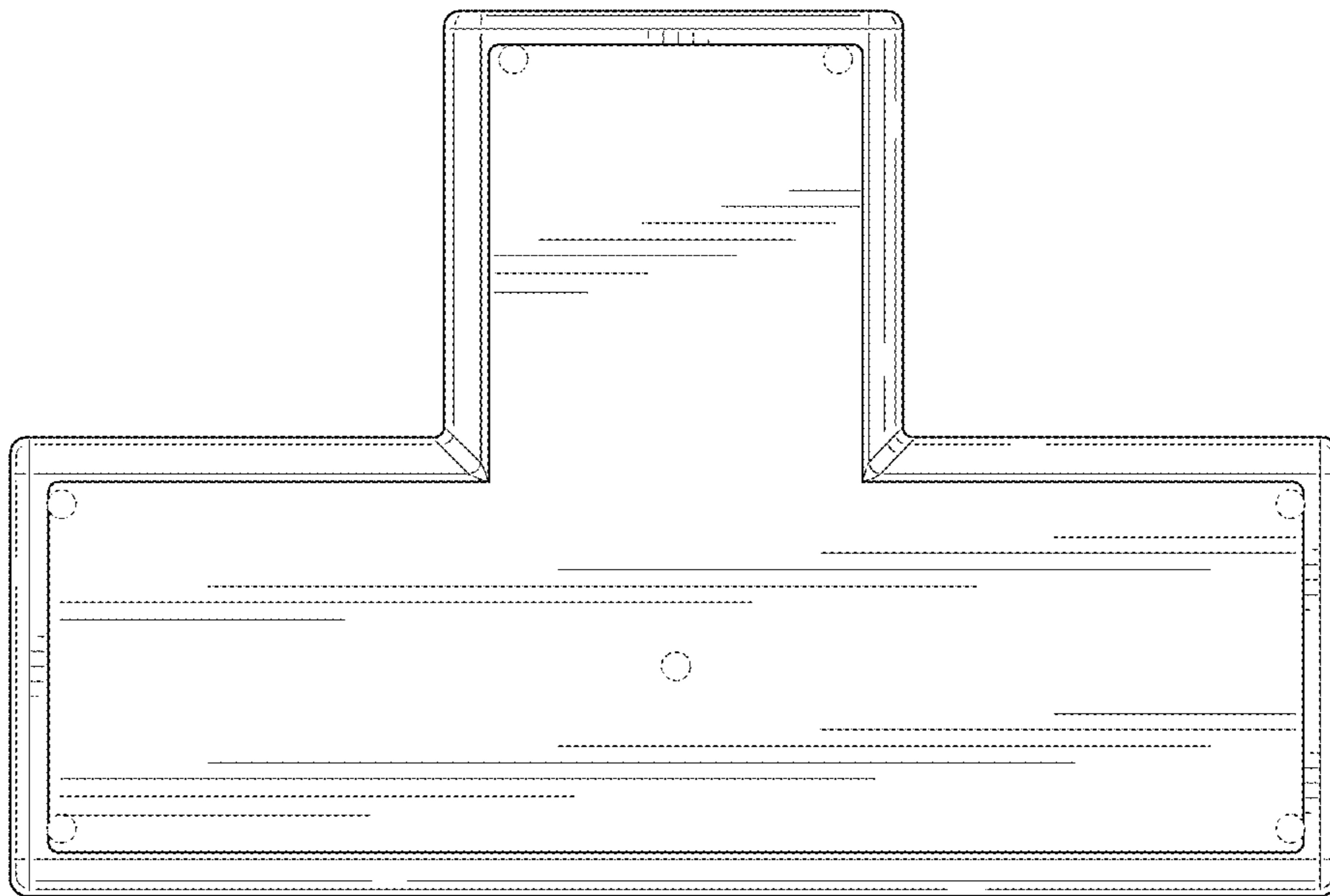


FIG. 8

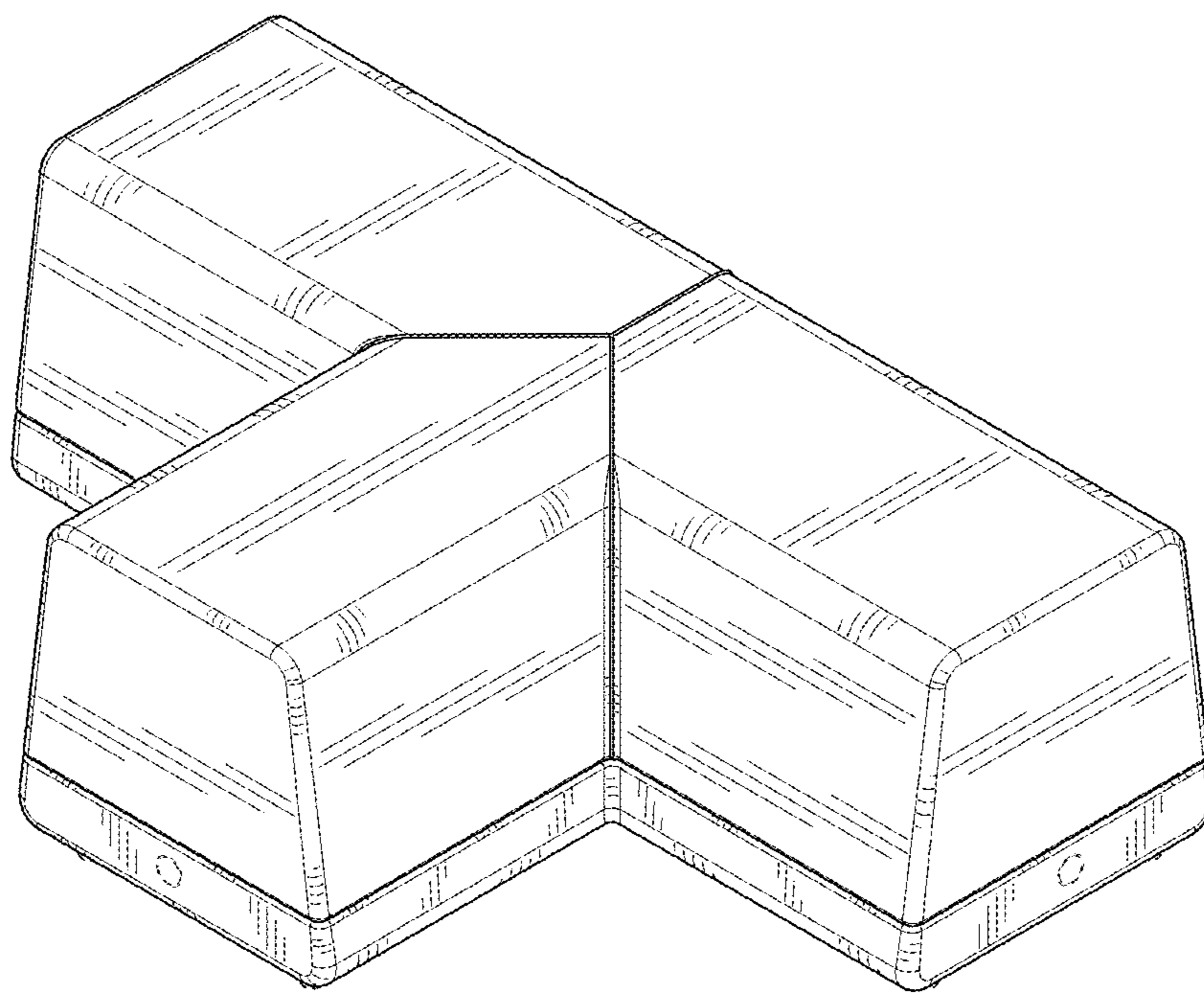


FIG. 9

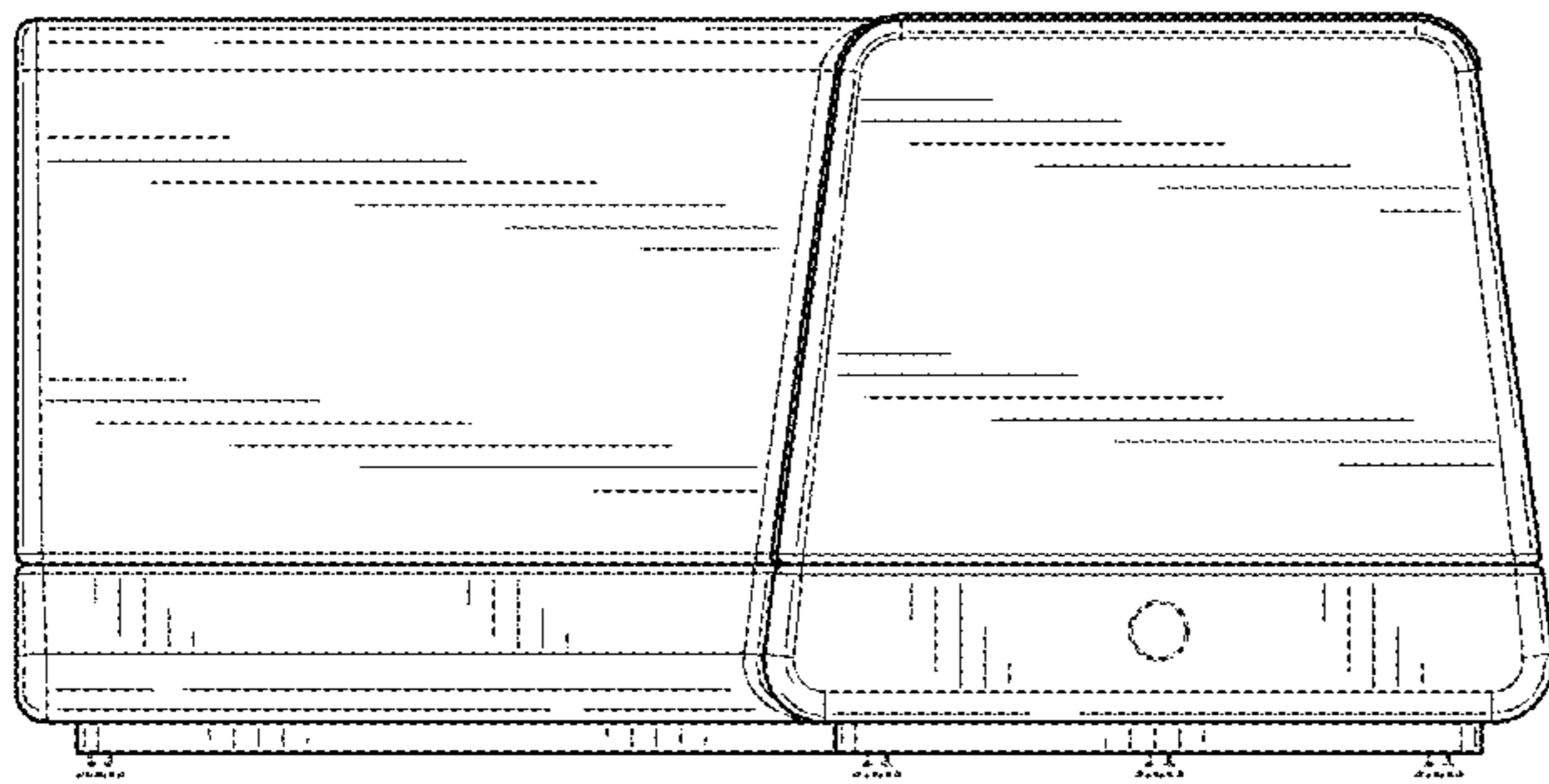


FIG. 10

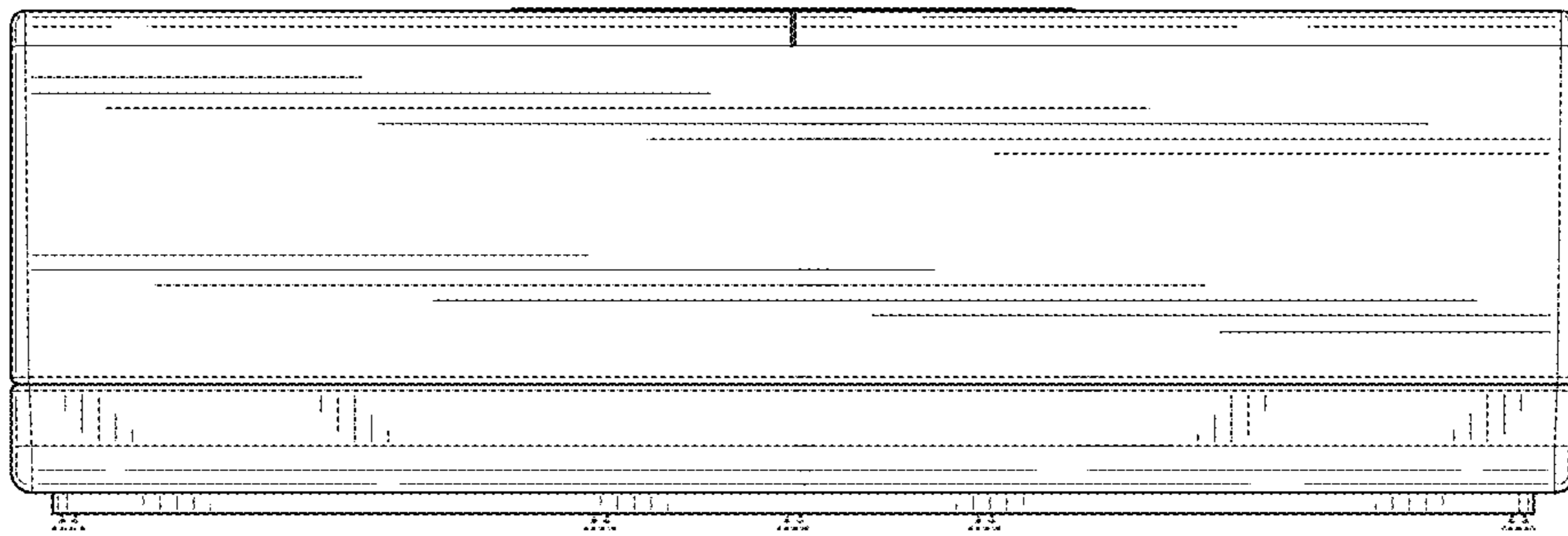


FIG. 11

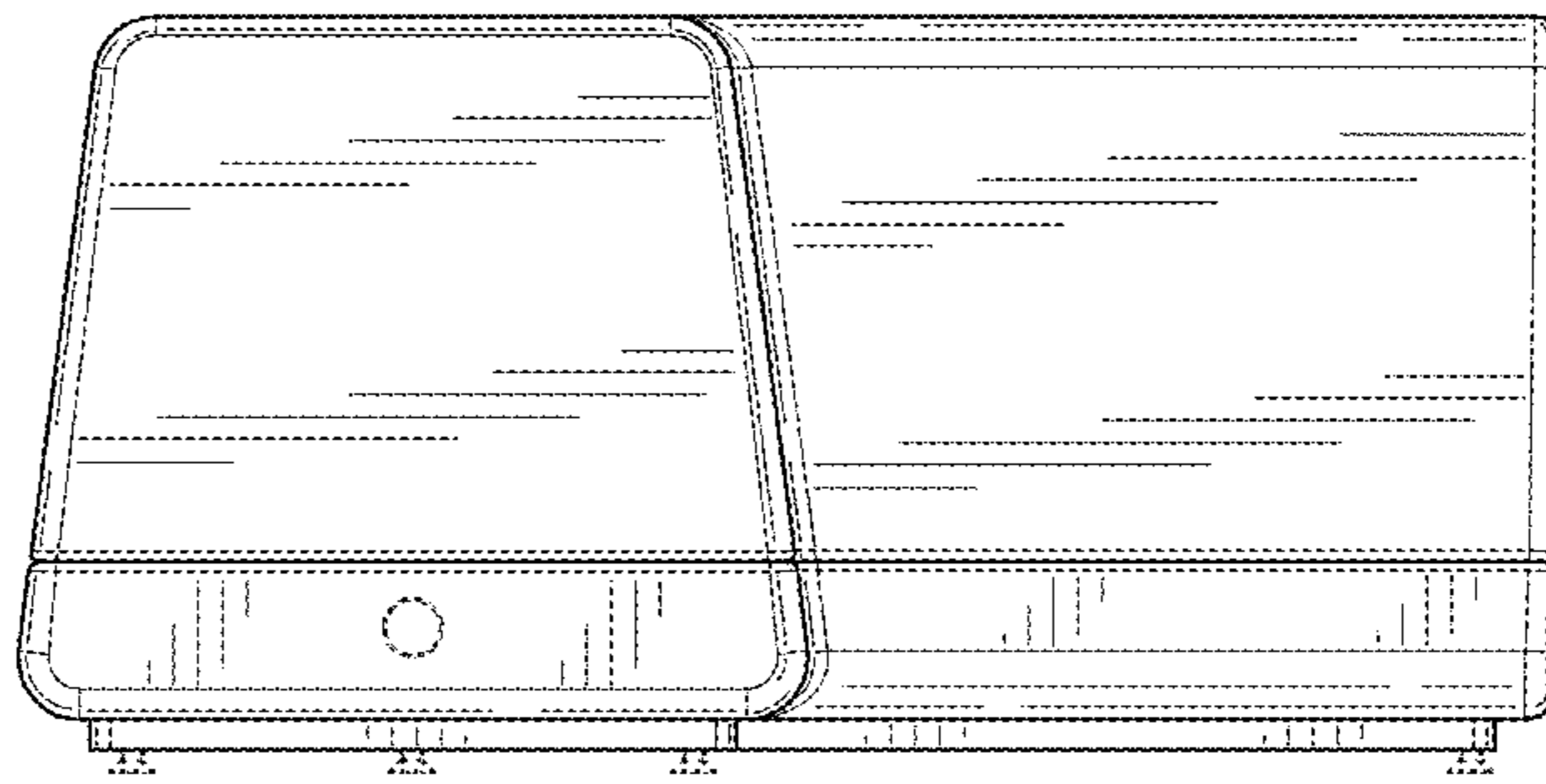


FIG. 12

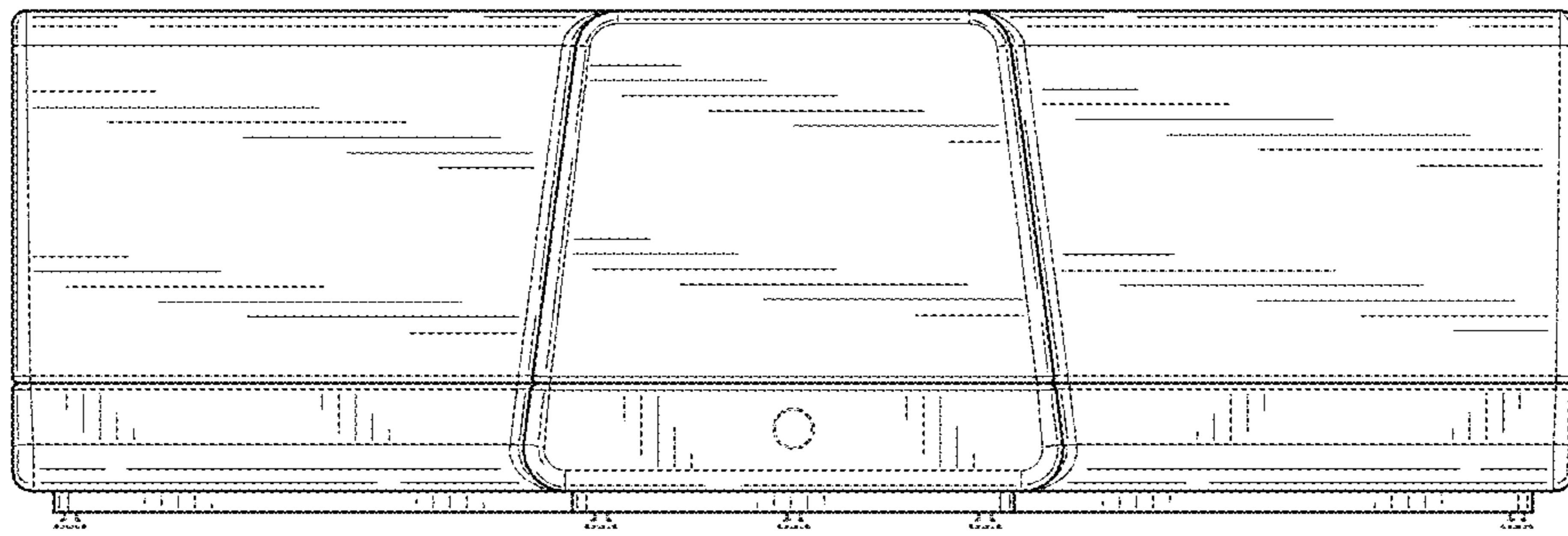


FIG. 13

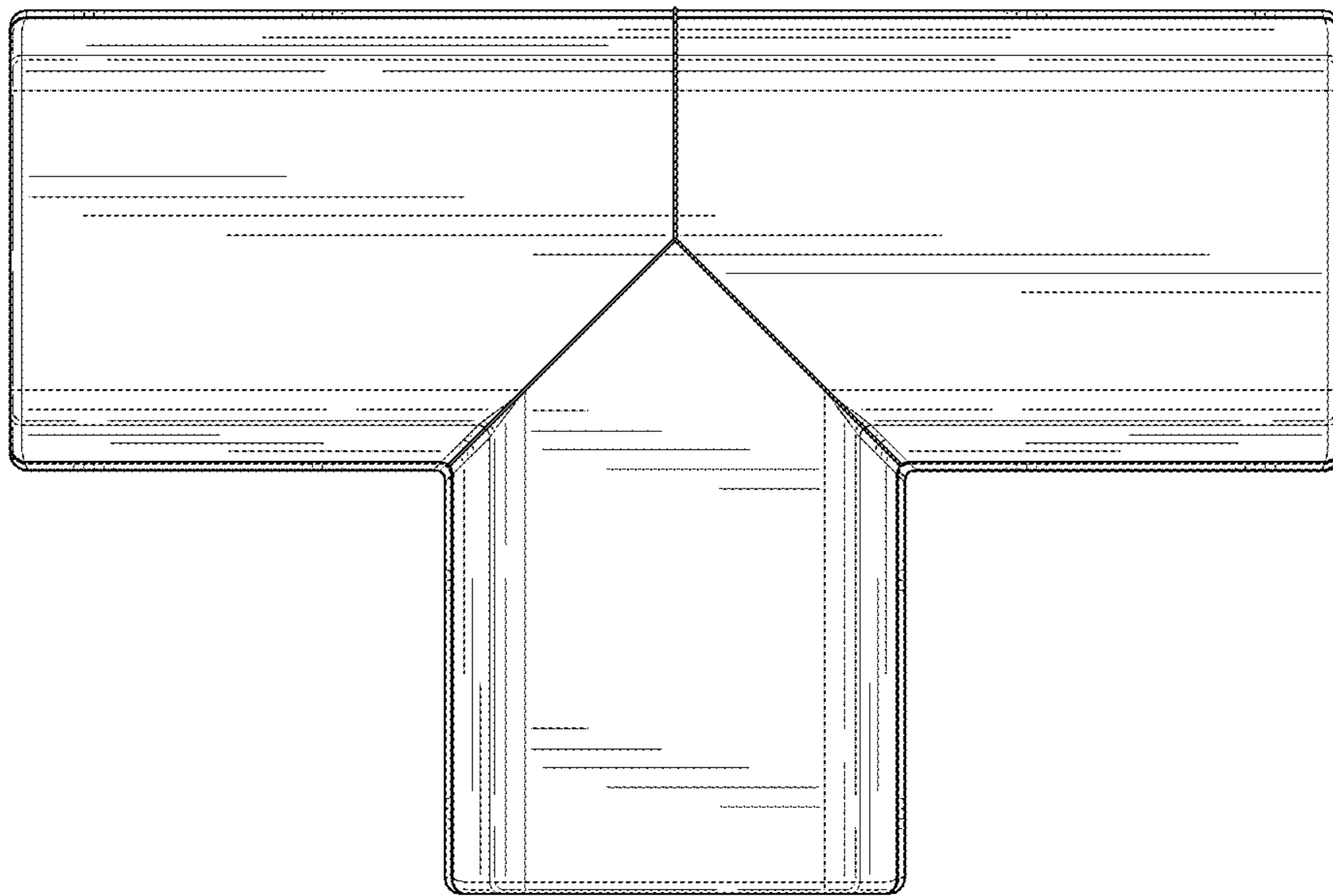


FIG. 14

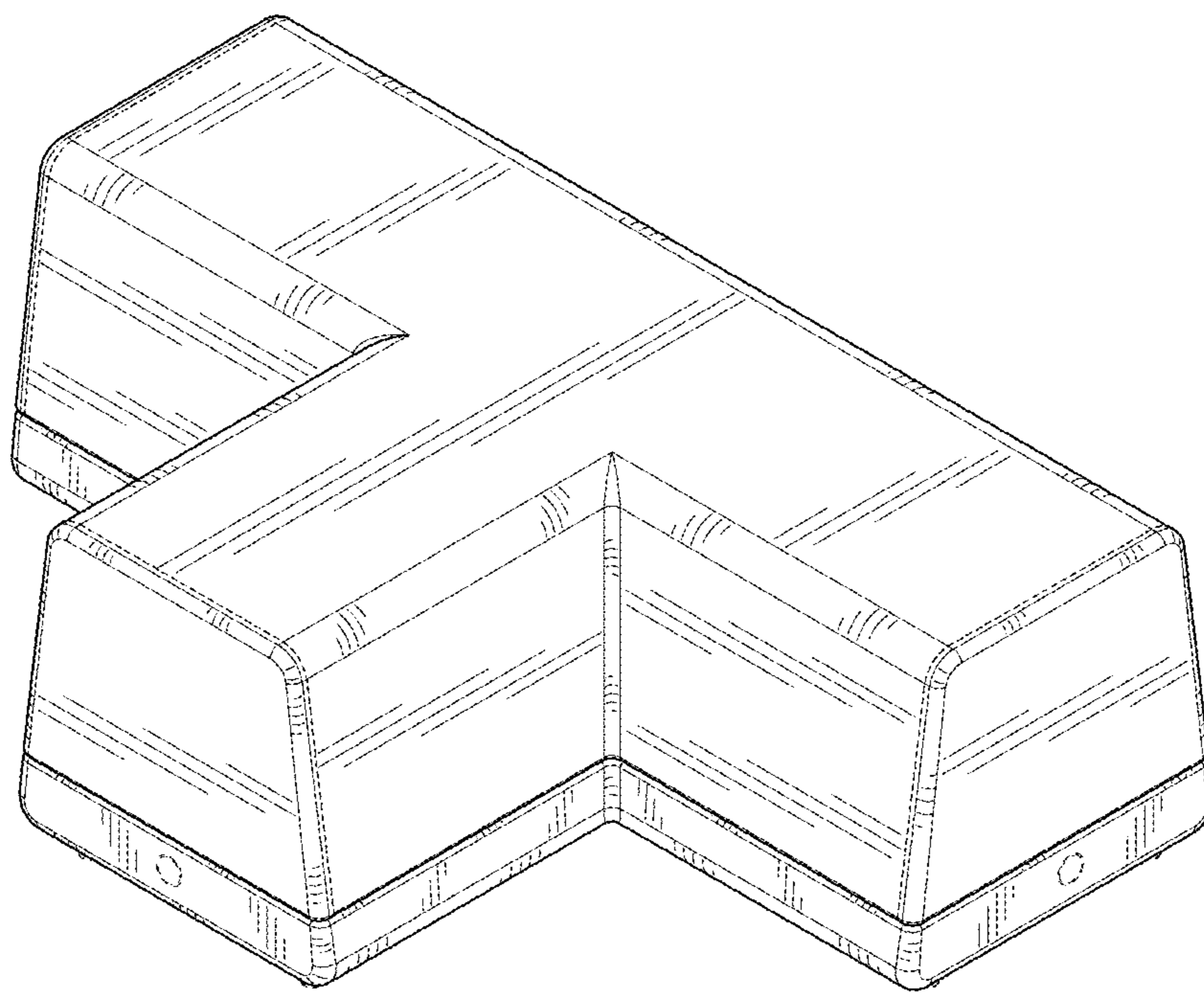


FIG. 15

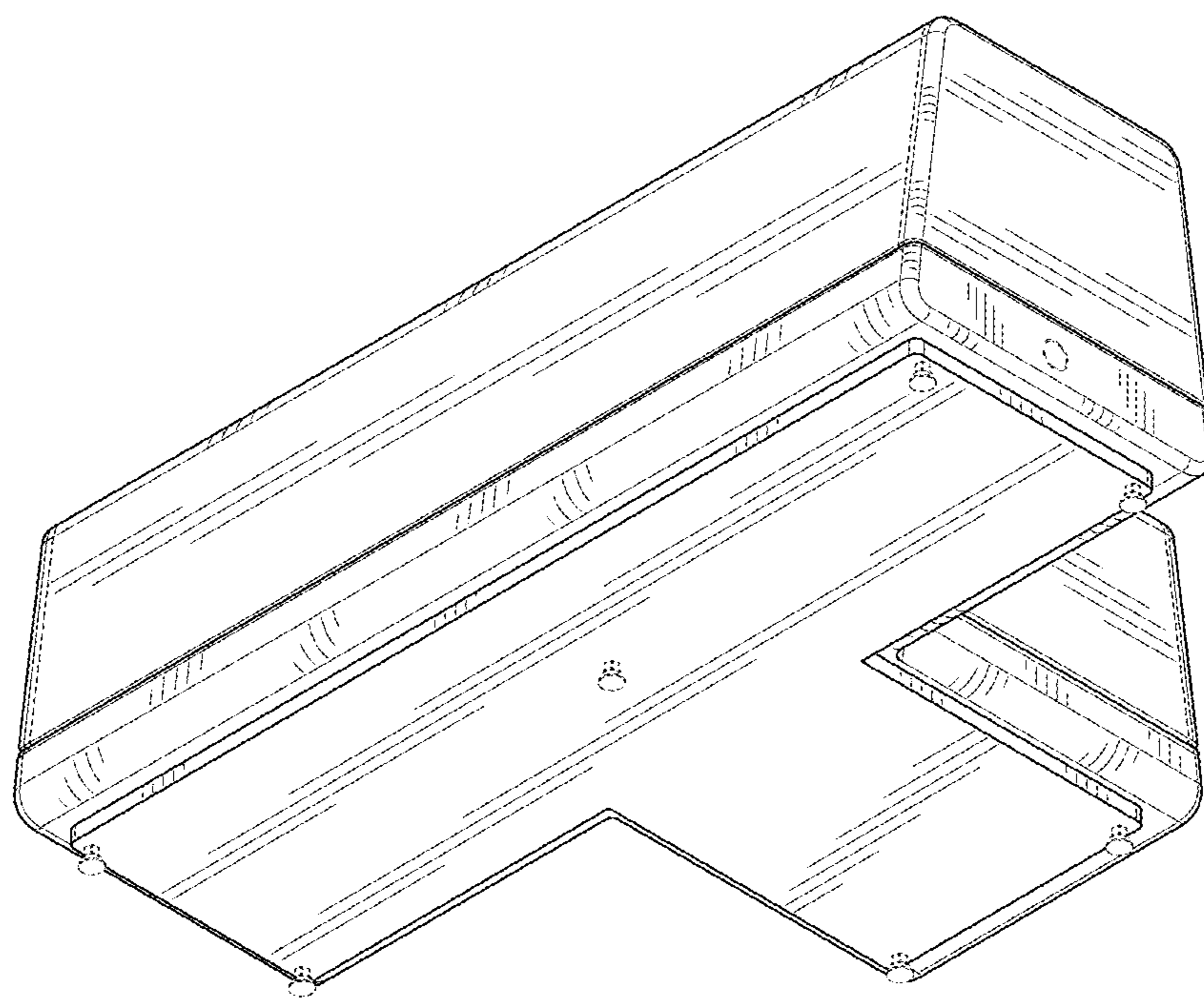


FIG. 16

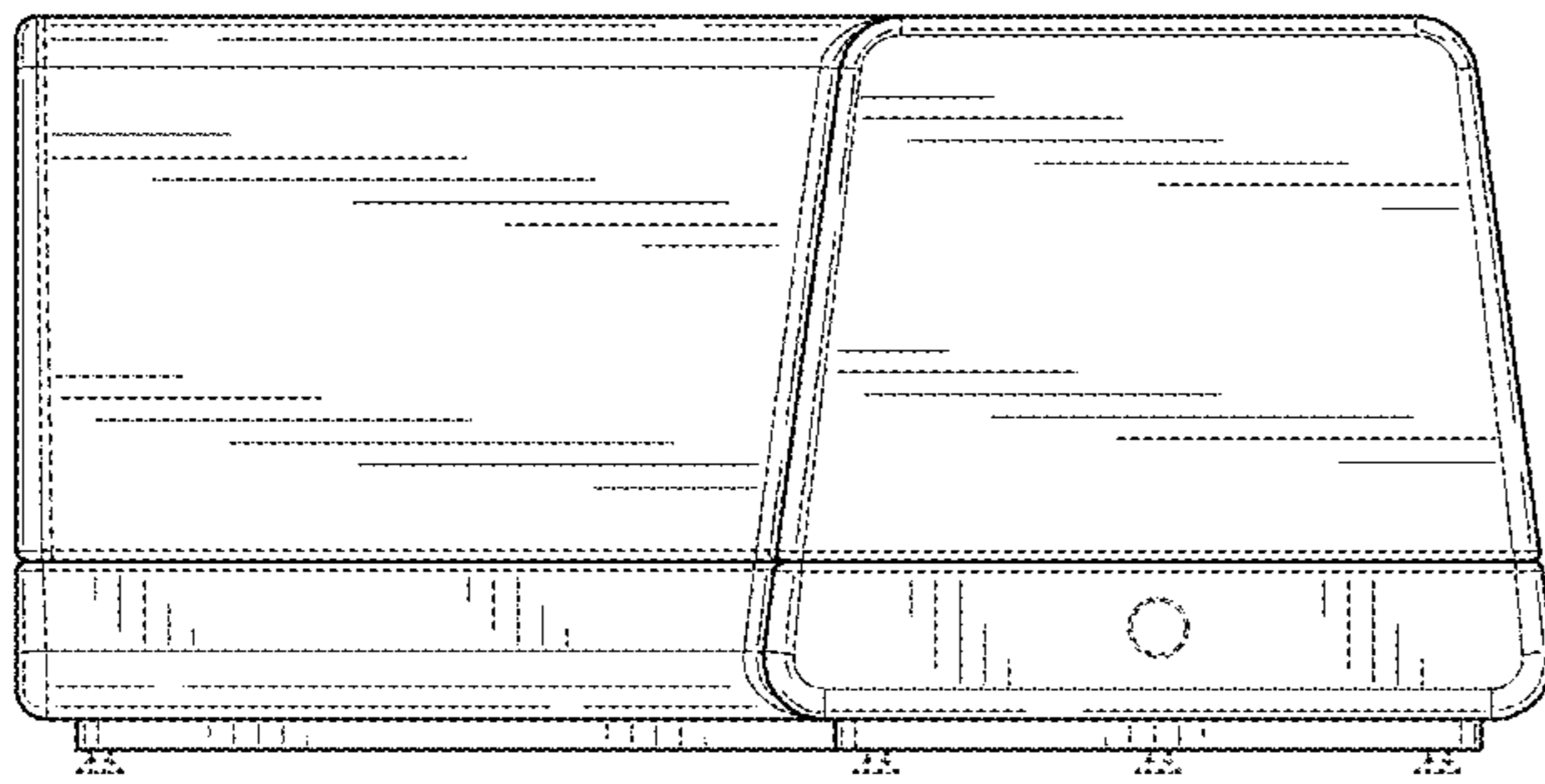


FIG. 17

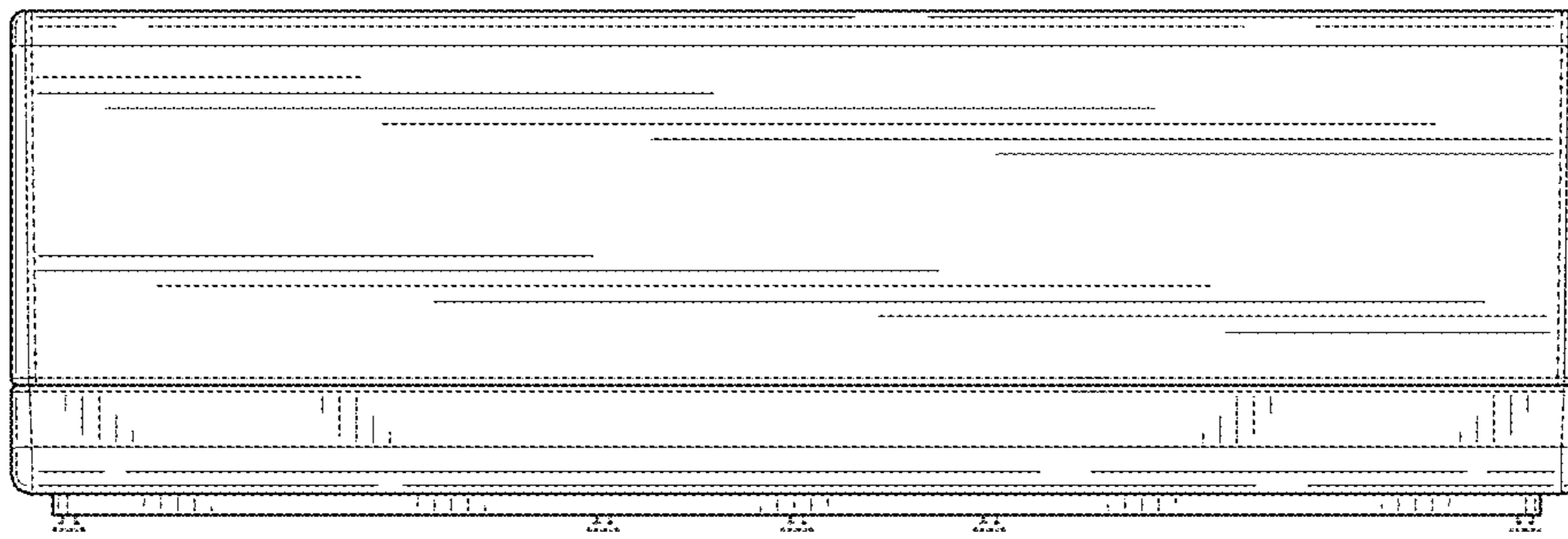


FIG. 18

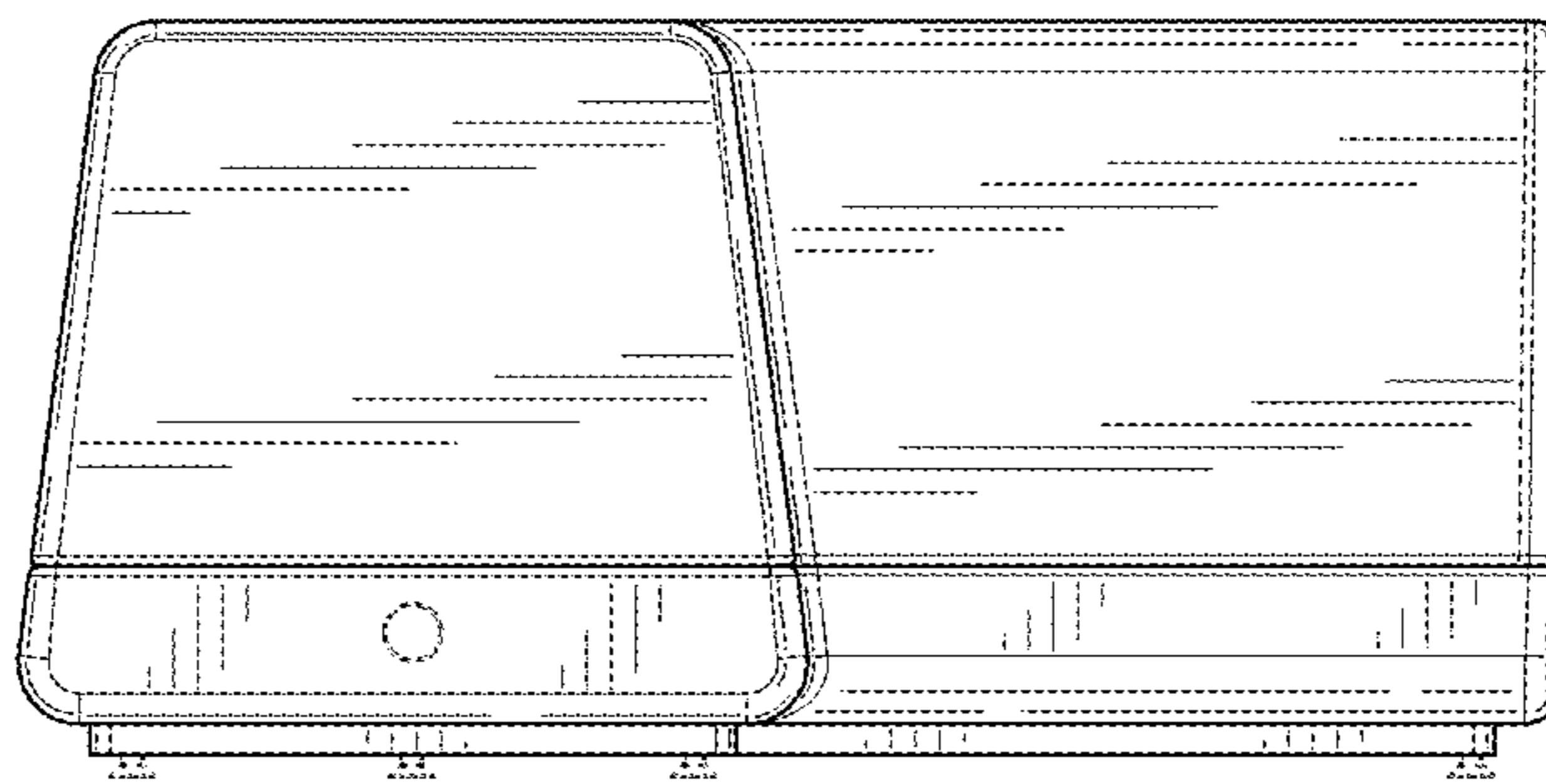


FIG. 19

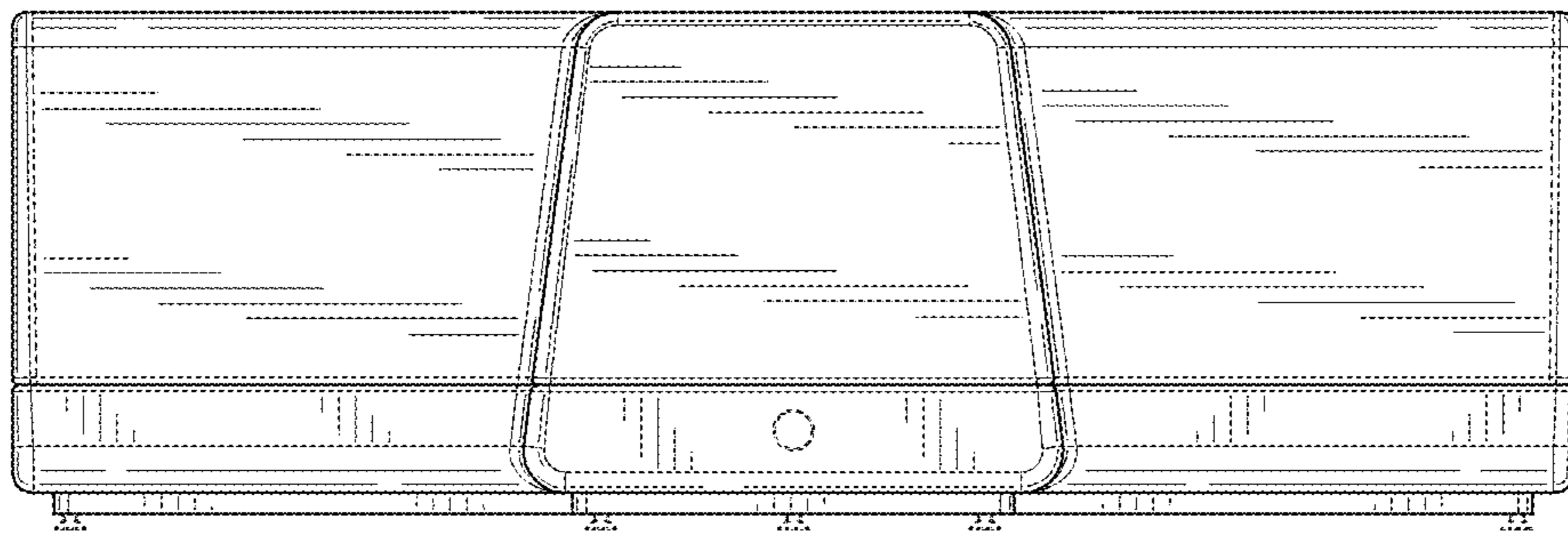


FIG. 20

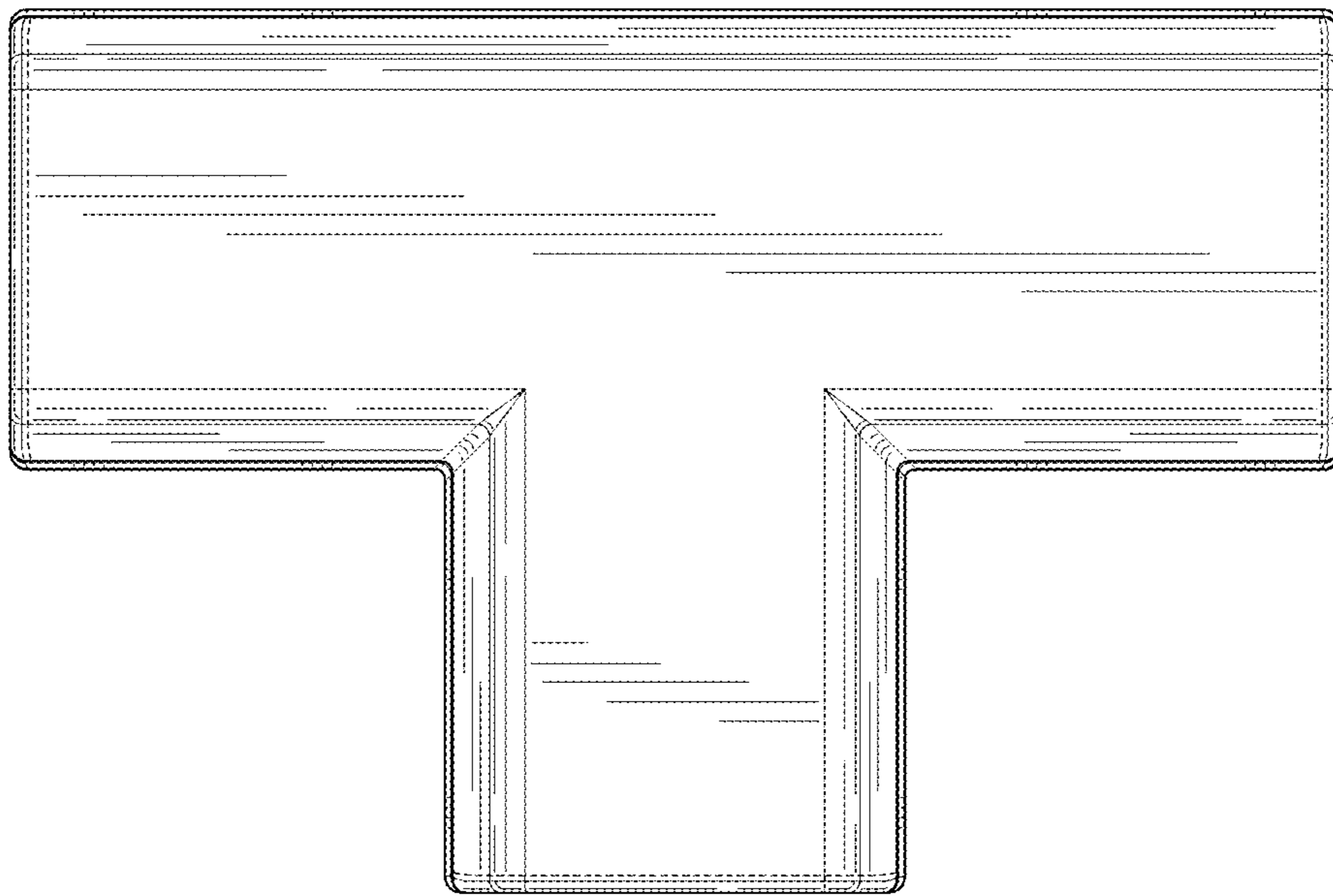


FIG. 21

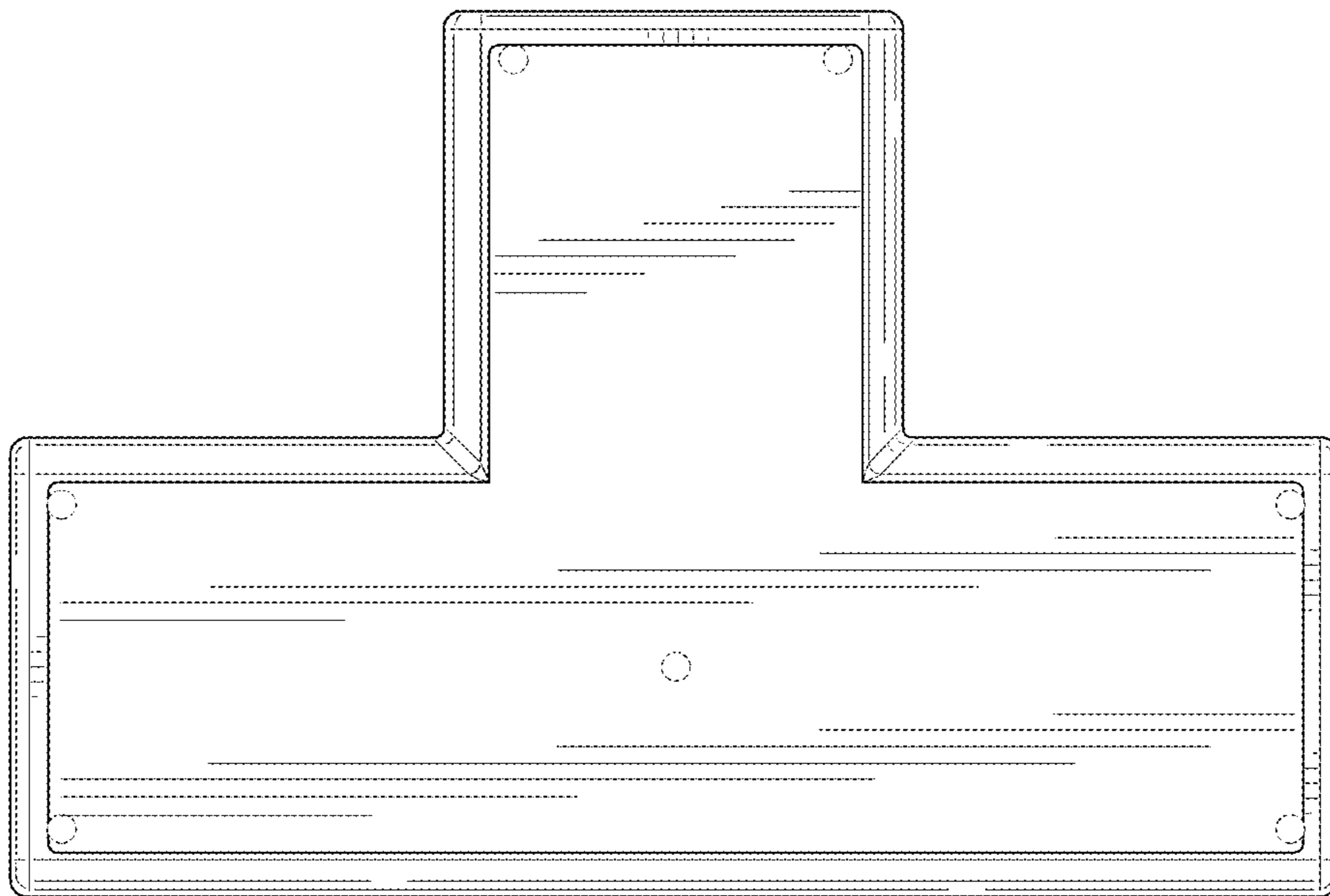


FIG. 22

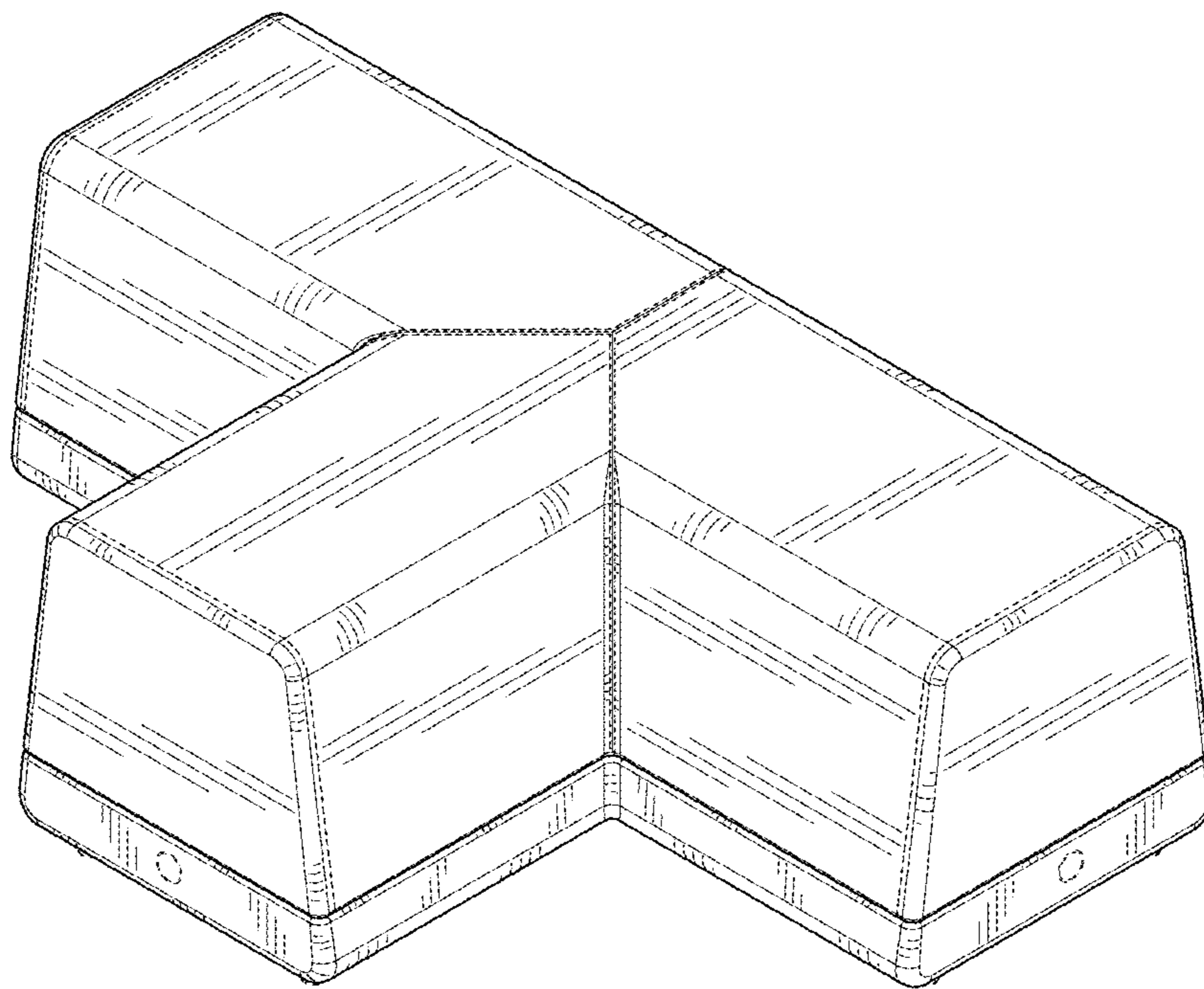


FIG. 23

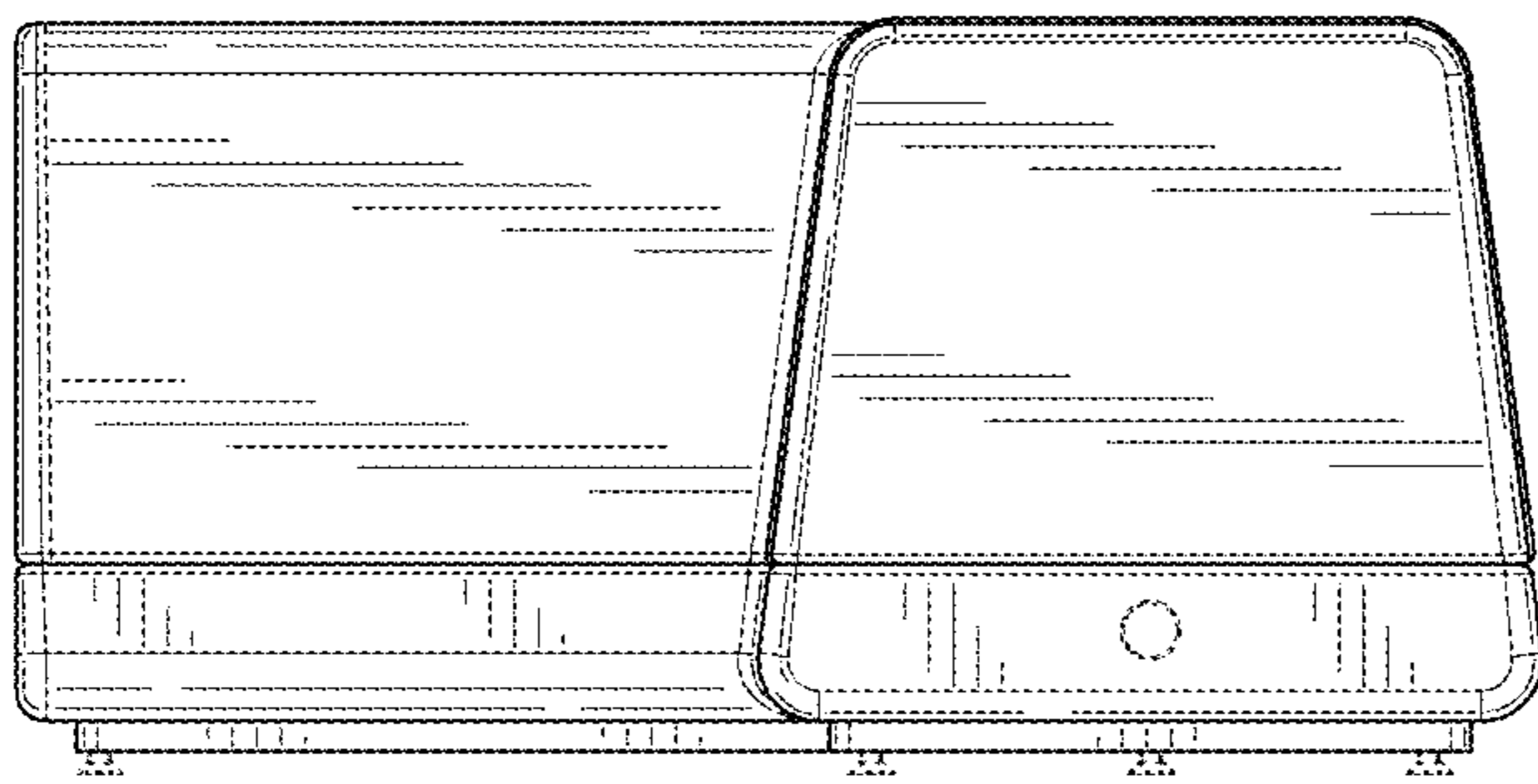


FIG. 24

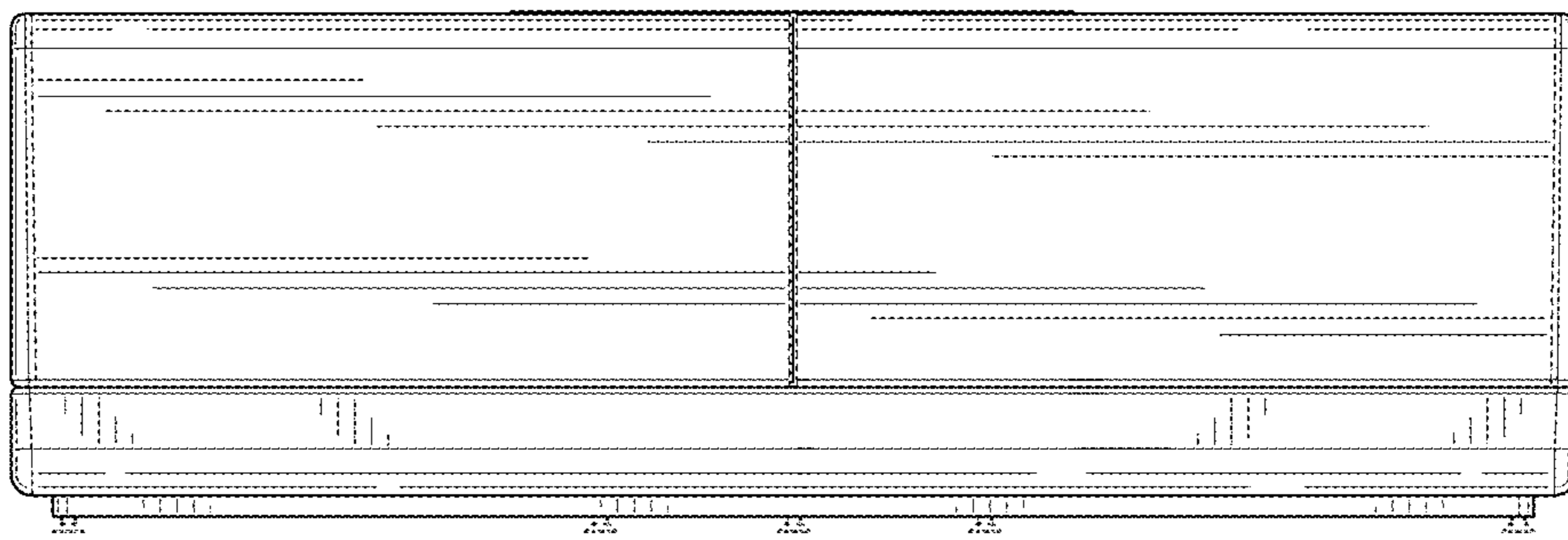


FIG. 25

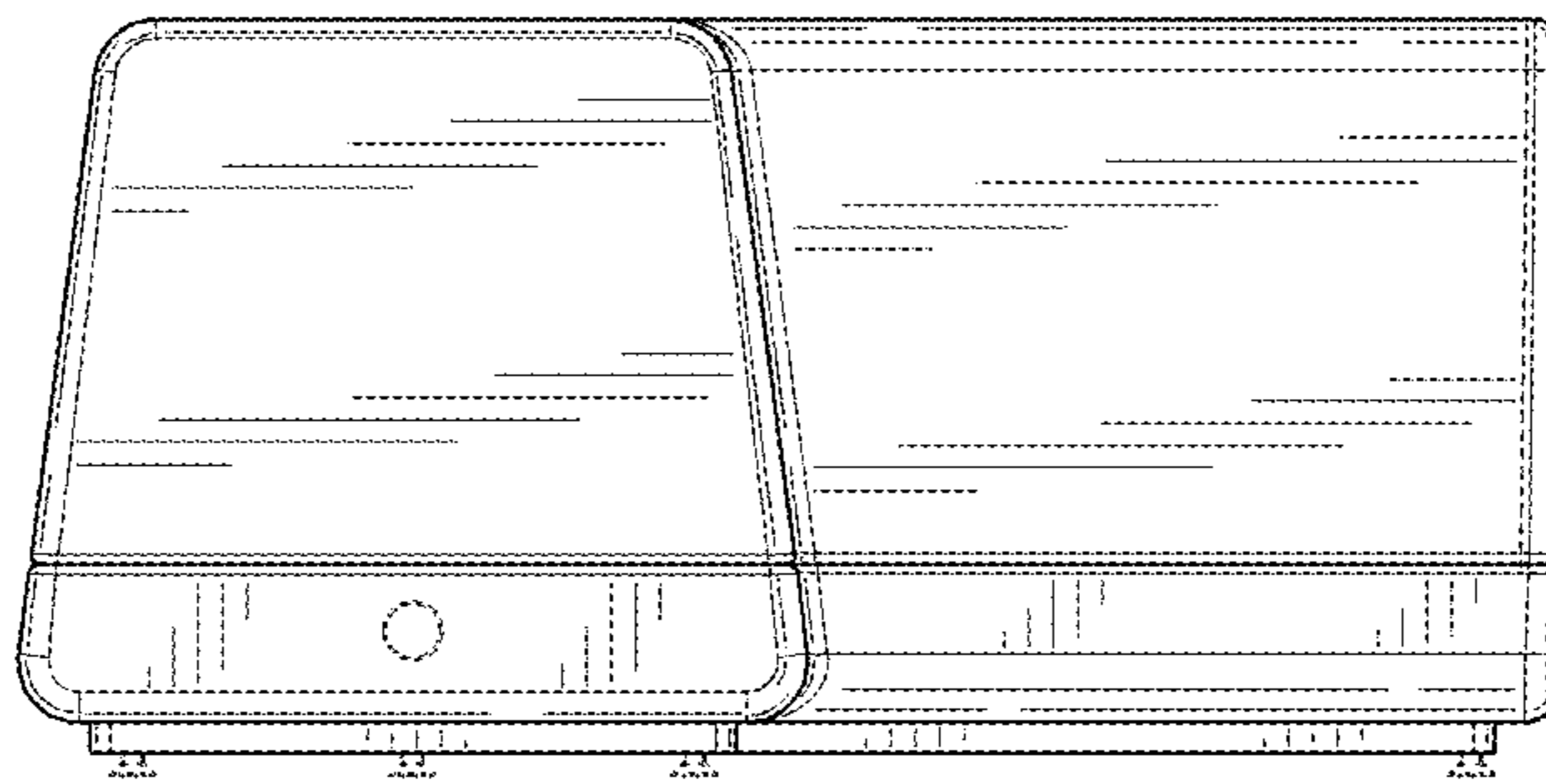


FIG. 26

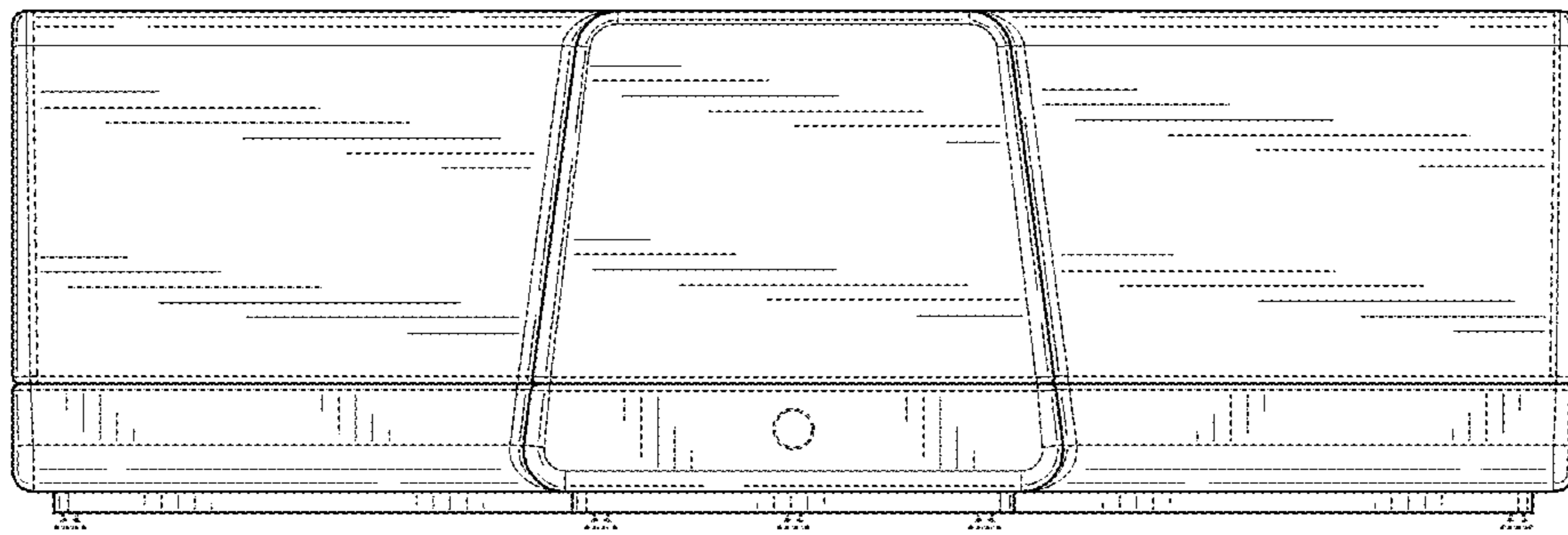


FIG. 27

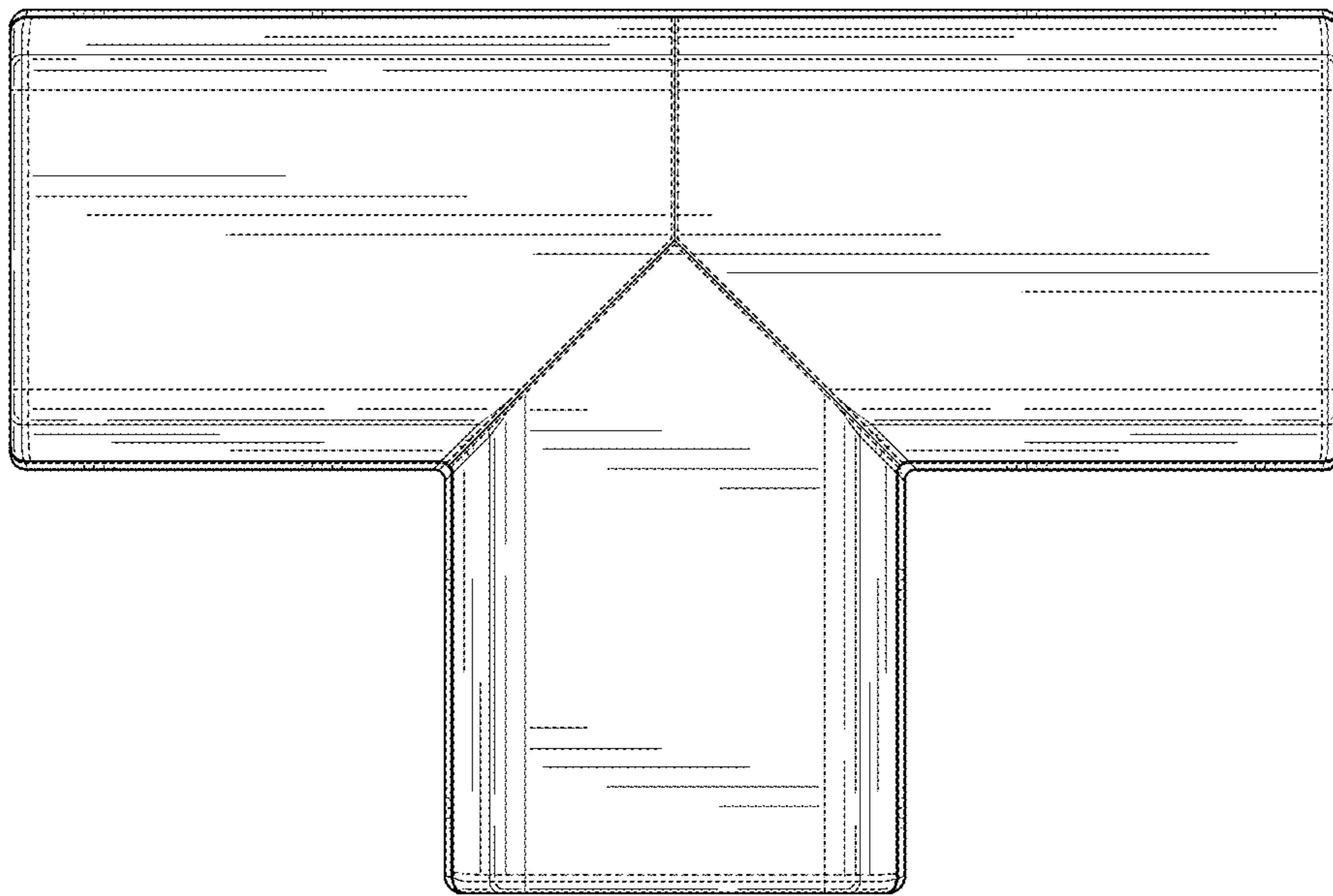


FIG. 28