



US00D965312S

(12) **United States Design Patent**
Le

(10) **Patent No.:** **US D965,312 S**

(45) **Date of Patent:** **** Oct. 4, 2022**

(54) **PEDICURE CHAIR**

(71) Applicant: **Jonathan Le**, Orlando, FL (US)

(72) Inventor: **Jonathan Le**, Orlando, FL (US)

(73) Assignee: **Spa Nails Supply, Inc.**, Orlando, FL (US)

(**) Term: **15 Years**

(21) Appl. No.: **29/712,523**

(22) Filed: **Nov. 8, 2019**

(51) **LOC (13) Cl.** **06-01**

(52) **U.S. Cl.**
USPC **D6/334**

(58) **Field of Classification Search**
USPC D6/334, 335, 349, 355, 360, 364, 367,
D6/369, 374, 375, 377, 378, 381, 371;
D30/118; D21/521
CPC A47C 4/02; A47C 4/28
See application file for complete search history.

(56) **References Cited**

U.S. PATENT DOCUMENTS

D537,262 S * 2/2007 Lifeng D6/367
D537,643 S * 3/2007 Miyake D6/367

D549,972 S * 9/2007 Garcia D6/334
D591,963 S * 5/2009 Lifeng D6/336
D604,536 S * 11/2009 Lifeng D6/716
D904,098 S * 12/2020 Le D6/334
D909,111 S * 2/2021 Jan D6/338
2004/0060108 A1* 4/2004 Hoon Park A61H 35/006
4/622
2017/0258679 A1* 9/2017 Drozdov A47C 1/06

* cited by examiner

Primary Examiner — Deanna L Pratt

(74) *Attorney, Agent, or Firm* — Jason T. Daniel, Esq.;
Daniel Law Offices, P.A.

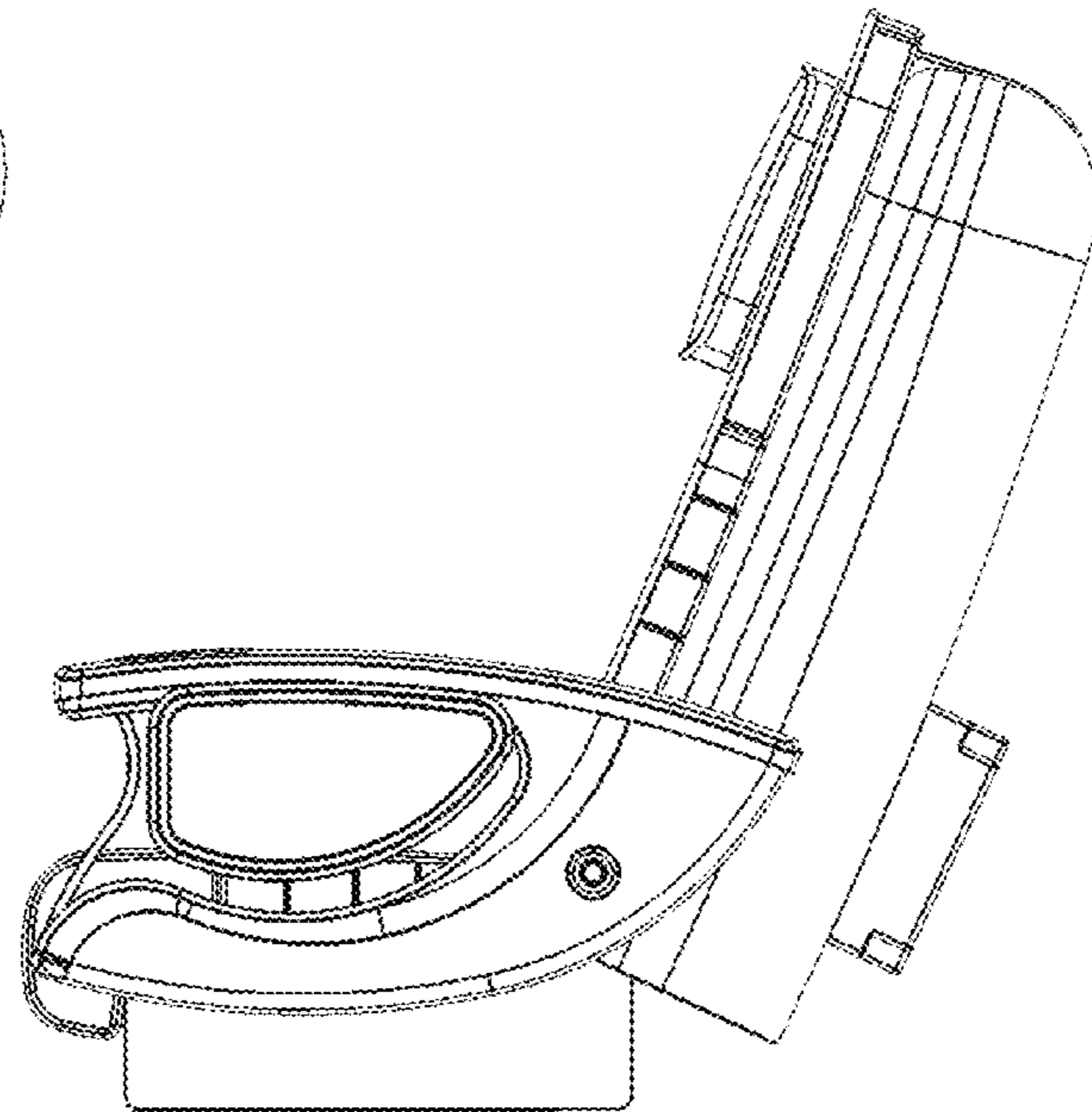
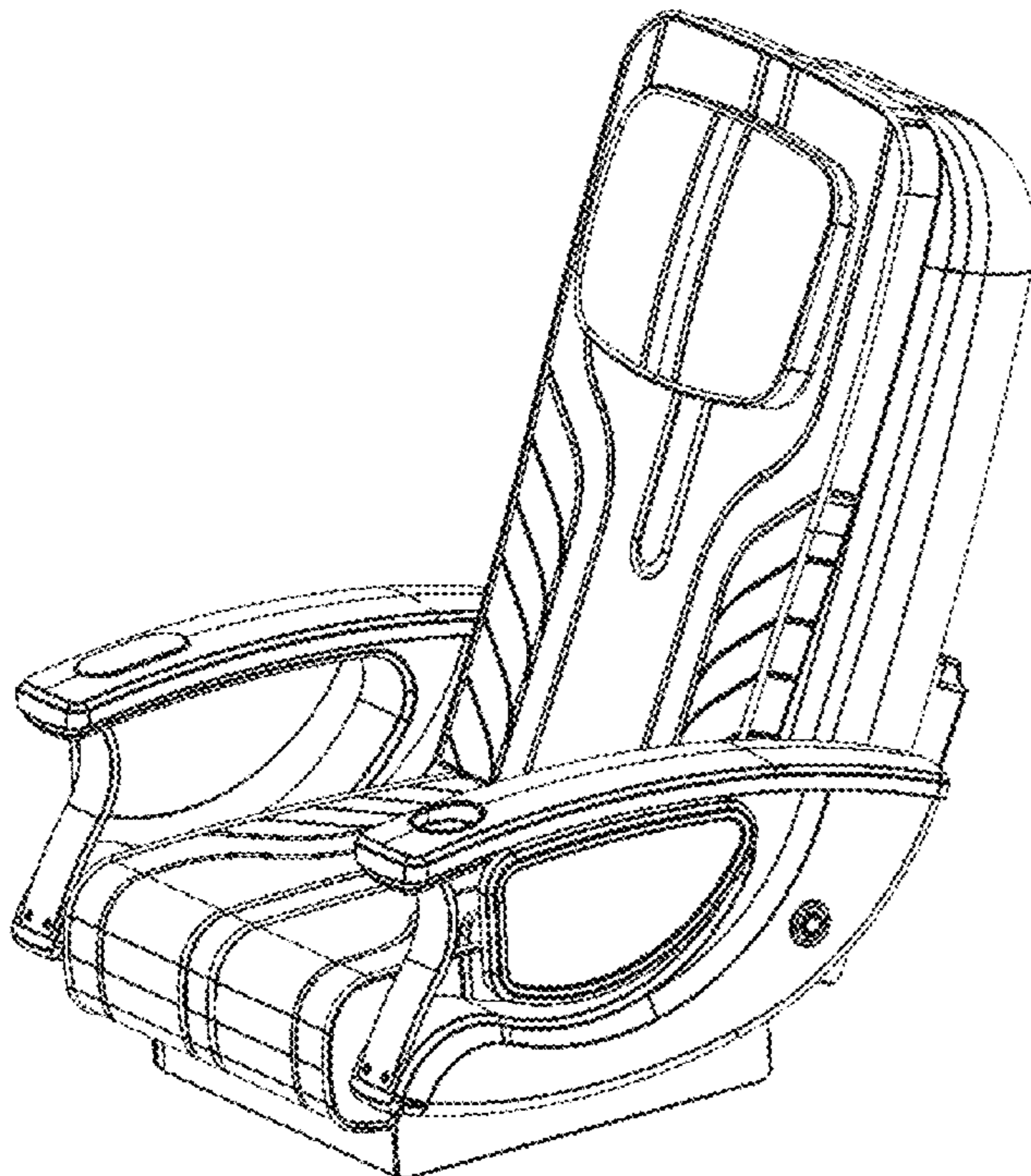
(57) **CLAIM**

The ornamental design for a pedicure chair, as shown and described.

DESCRIPTION

FIG. 1 is a top side perspective view thereof,
FIG. 2 is a front side view thereof,
FIG. 3 is a back side view thereof,
FIG. 4 is a right side view thereof,
FIG. 5 is a left side view thereof,
FIG. 6 is a top side view thereof; and,
FIG. 7 is a bottom side view thereof.

1 Claim, 4 Drawing Sheets



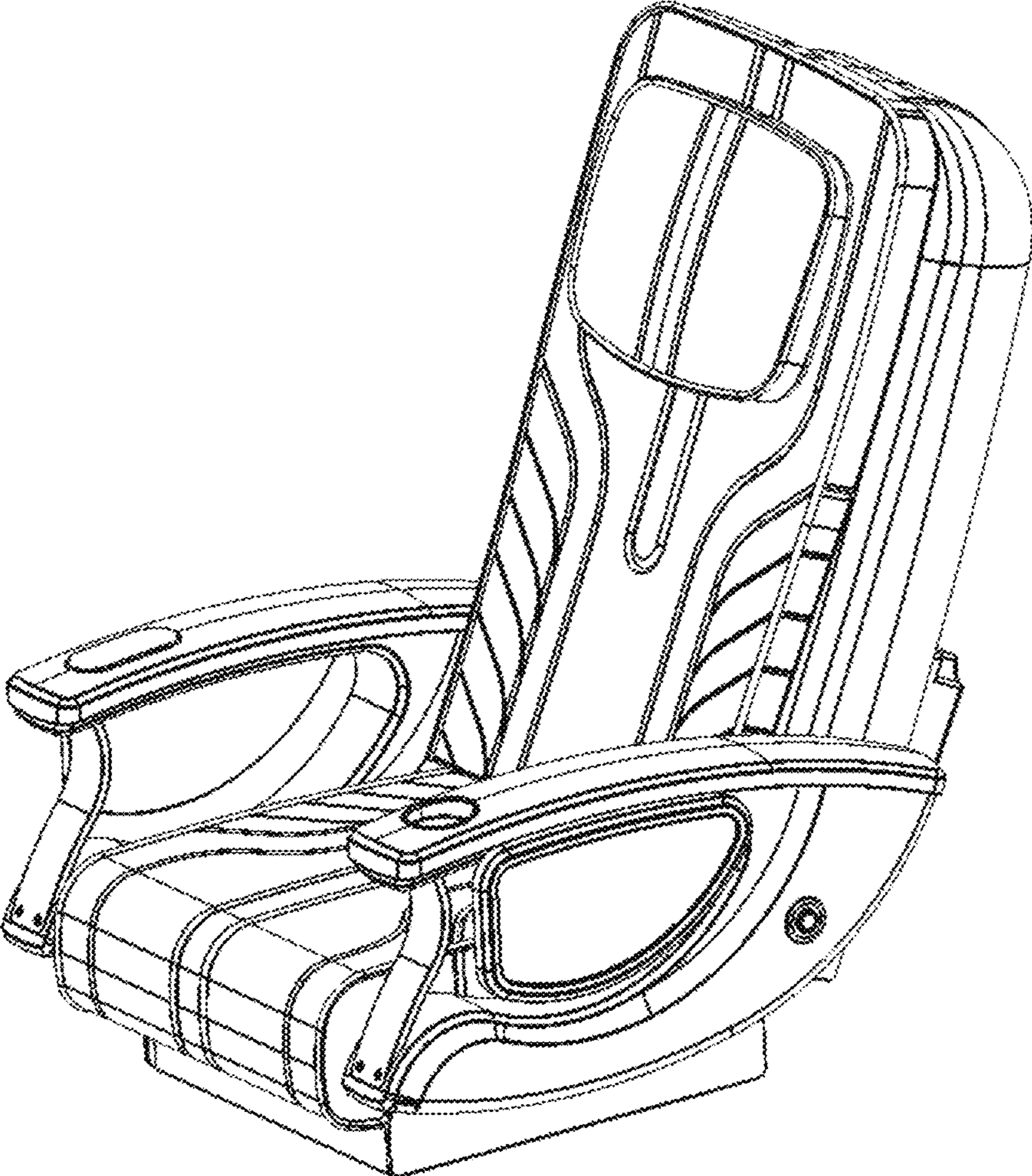


FIG. 1

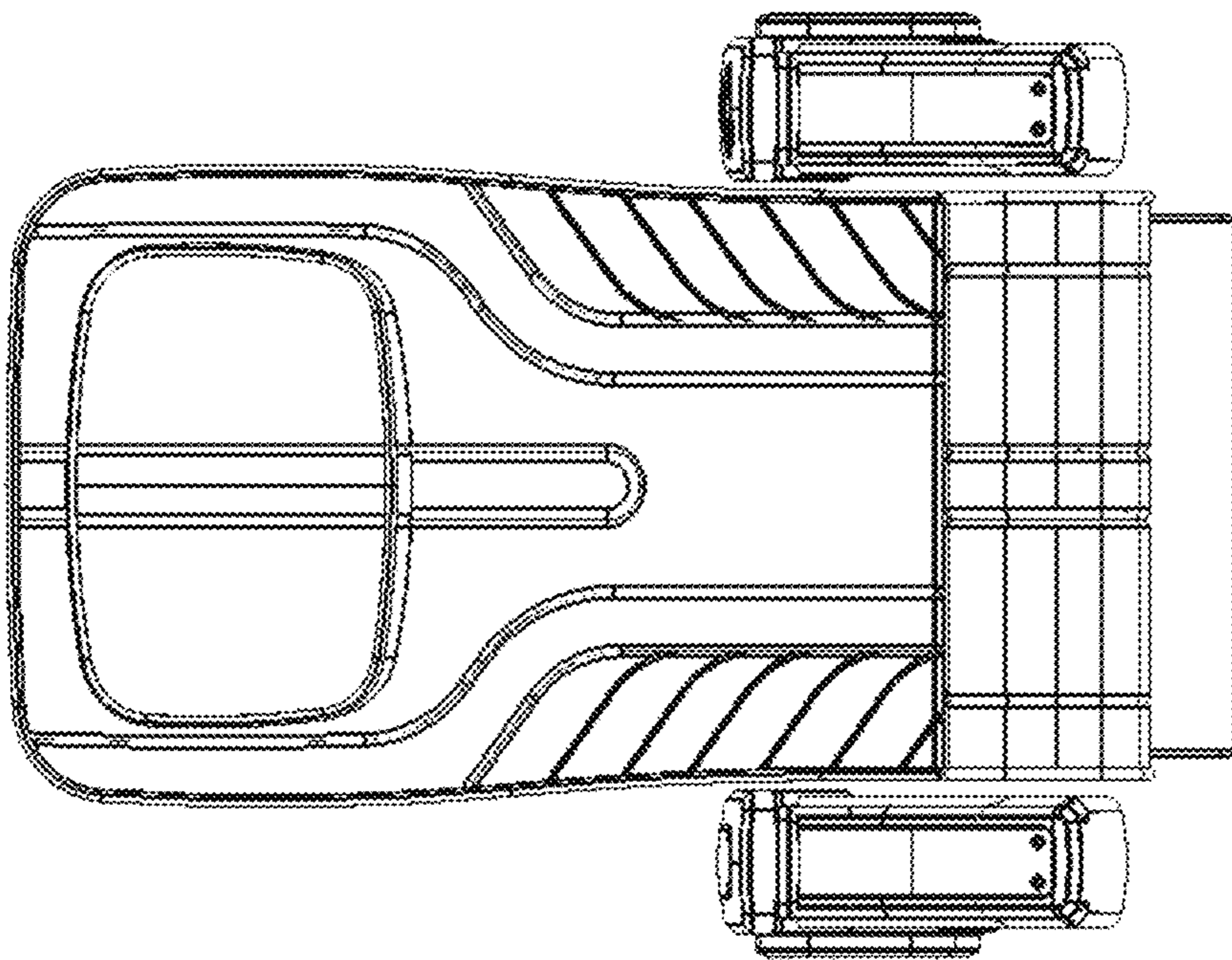


FIG. 2

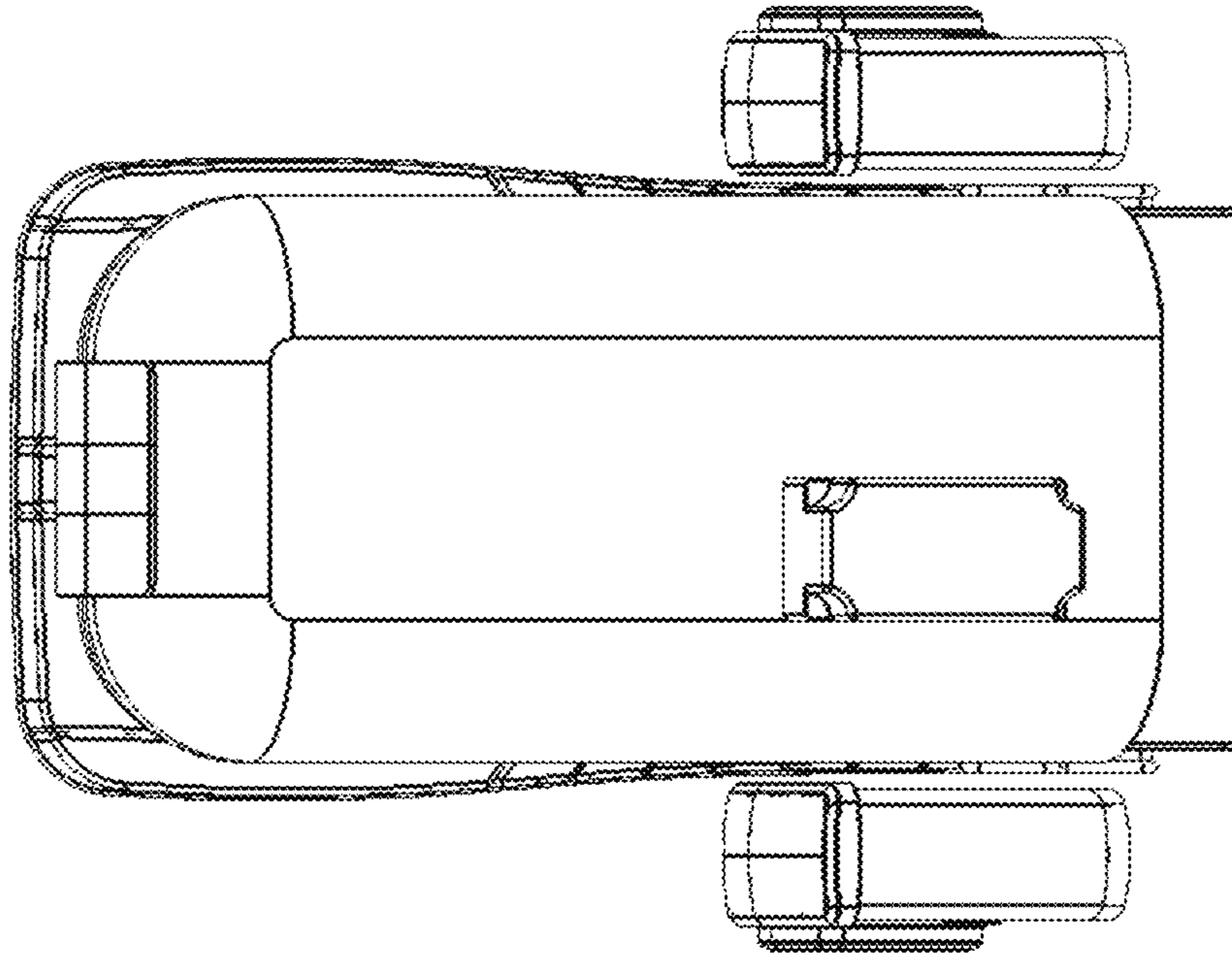


FIG. 3

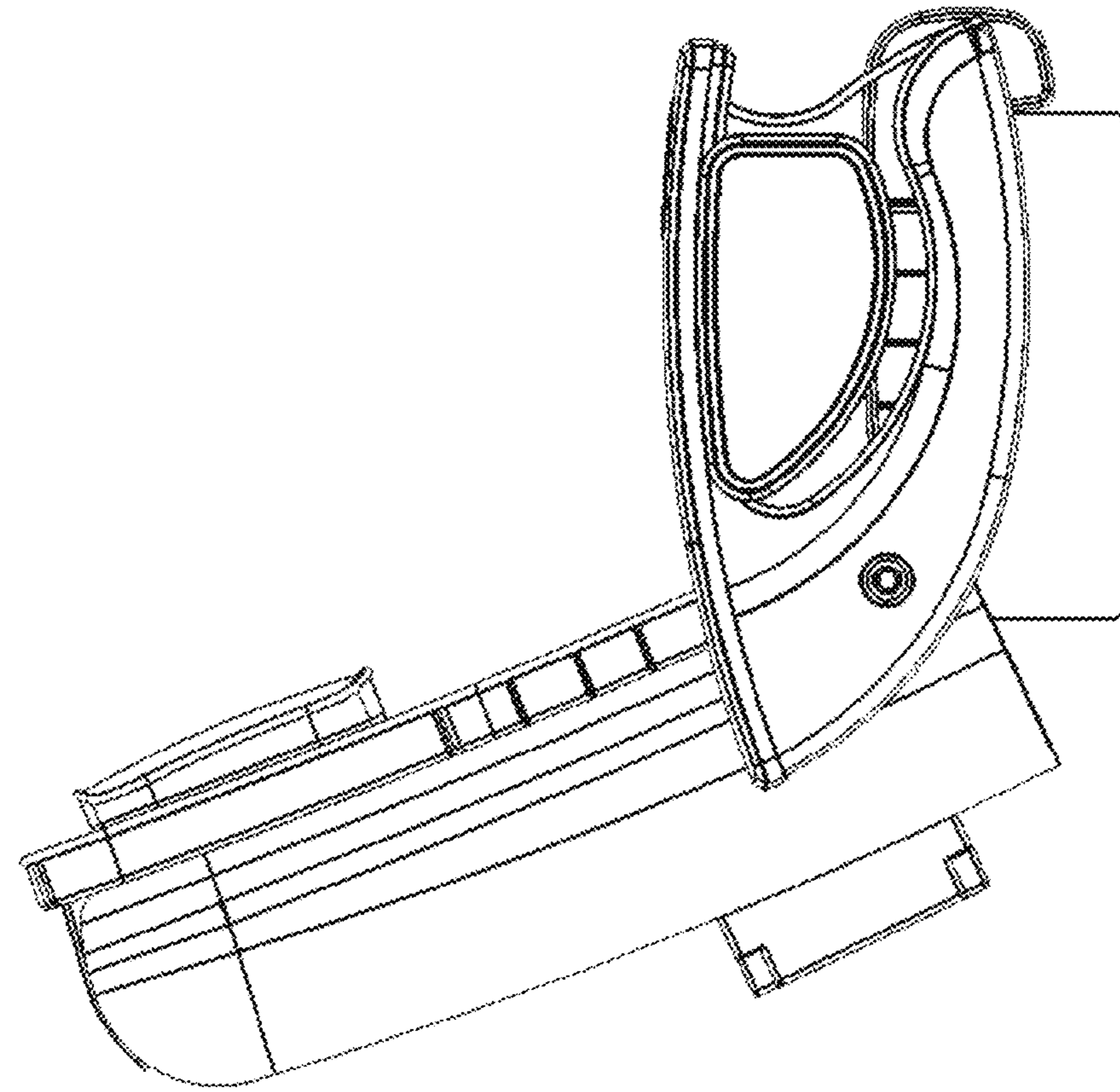


FIG. 4

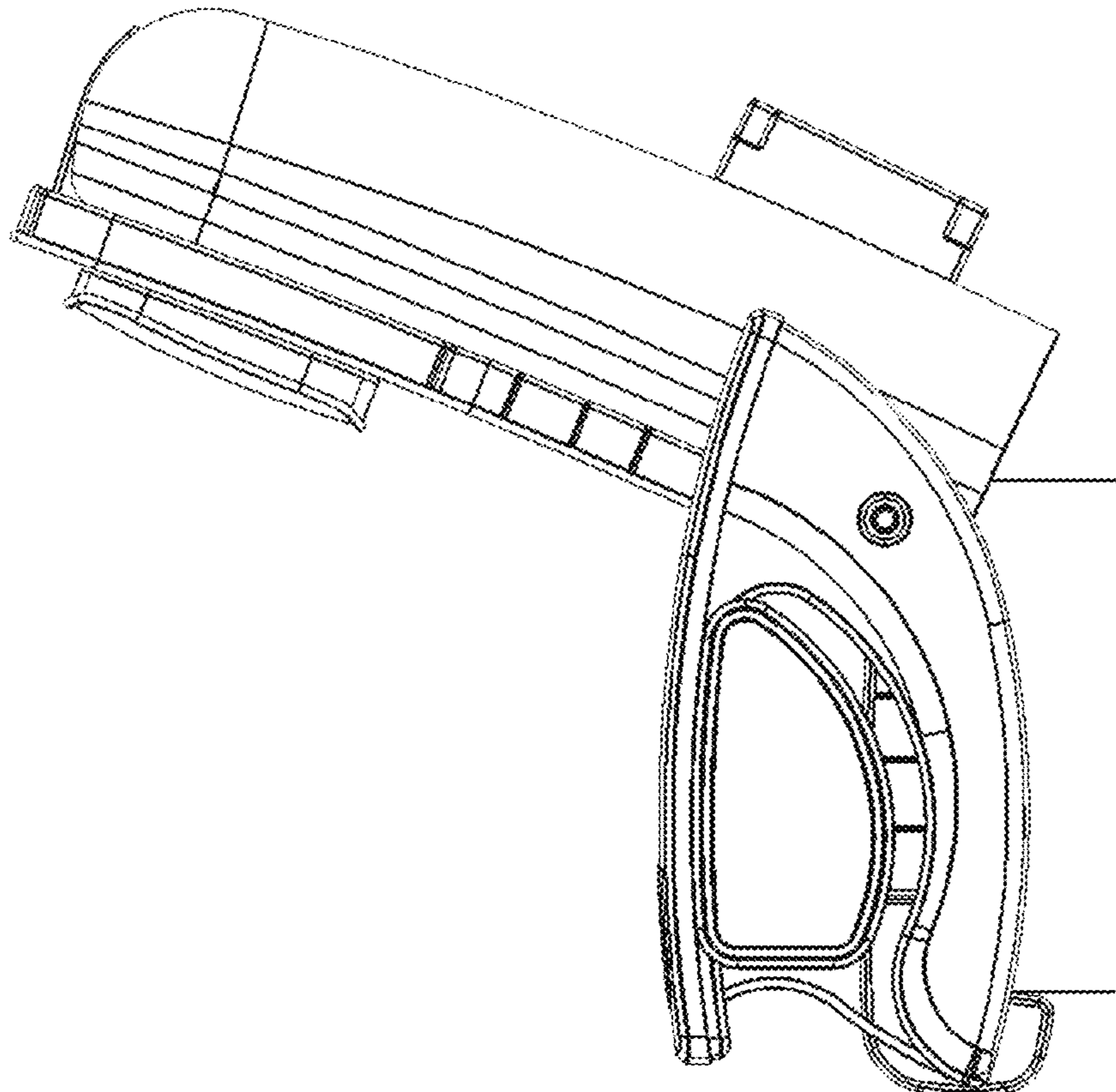


FIG. 5

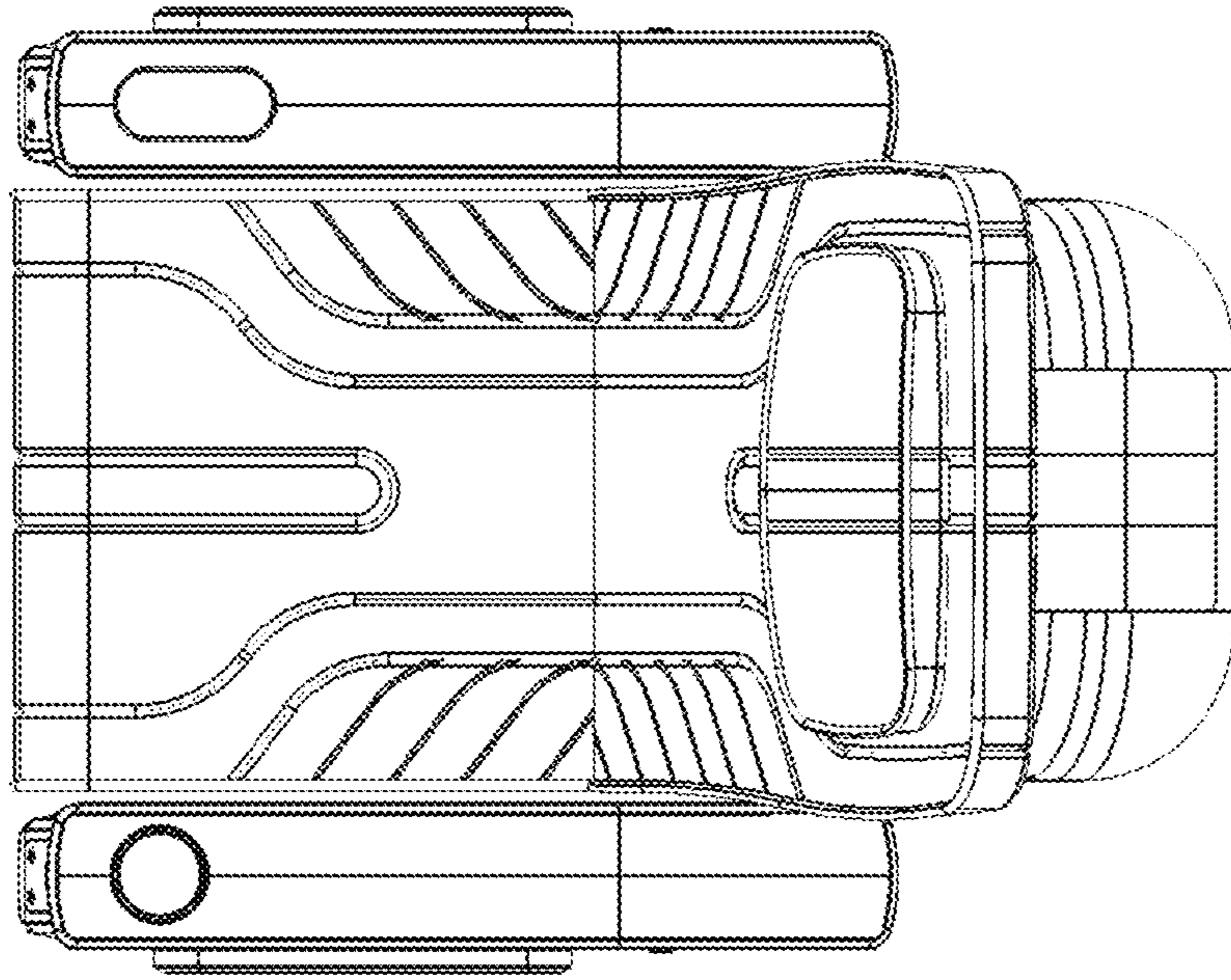


FIG. 6

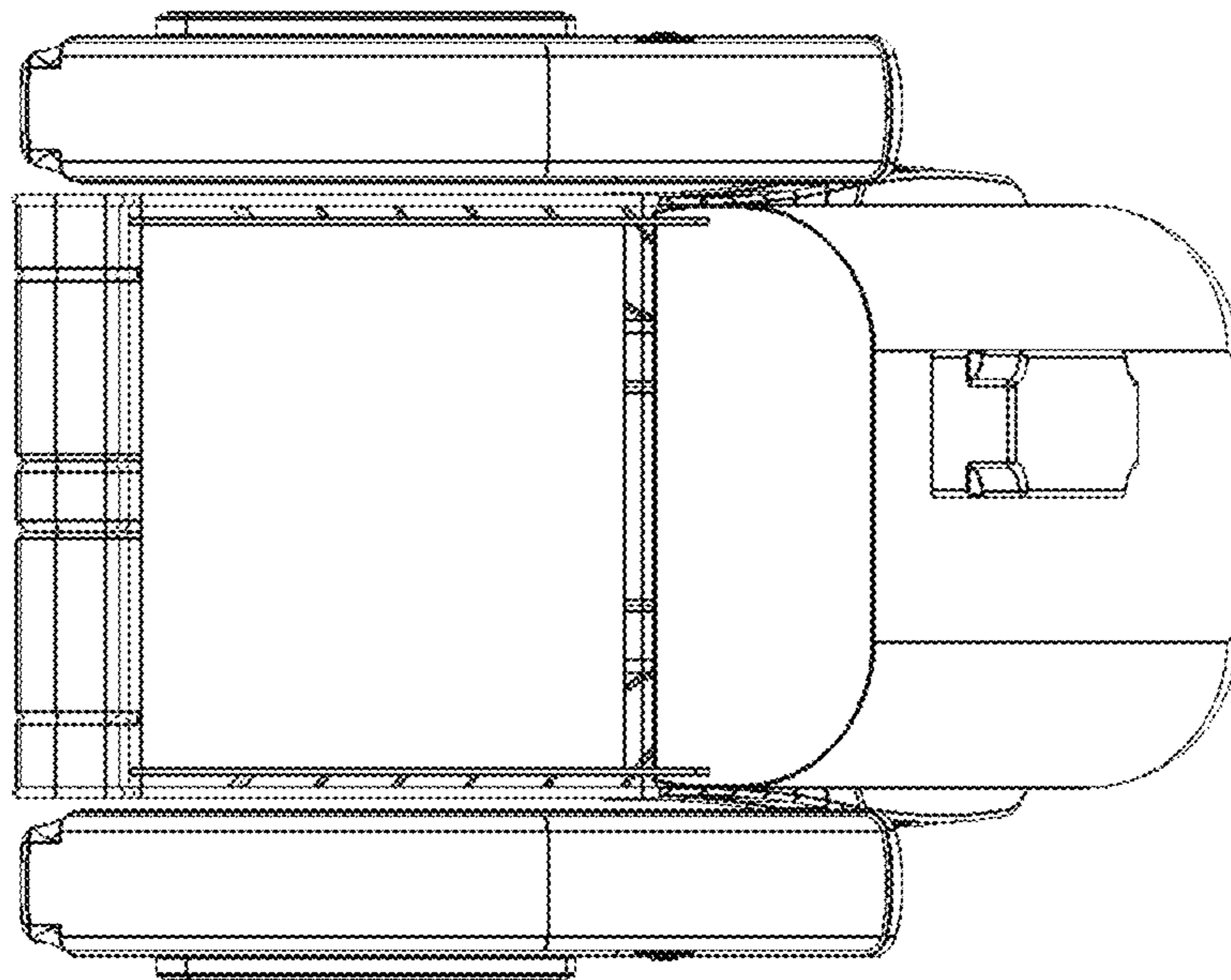


FIG. 7