



US00D965311S

(12) **United States Design Patent** (10) **Patent No.:** **US D965,311 S**
Ge (45) **Date of Patent:** **** Oct. 4, 2022**

(54) **PLAYPEN**

DESCRIPTION

(71) Applicant: **Tingting Ge**, Shenzhen (CN)
(72) Inventor: **Tingting Ge**, Shenzhen (CN)
(**) Term: **15 Years**
(21) Appl. No.: **29/787,389**
(22) Filed: **Jun. 7, 2021**
(51) **LOC (13) Cl.** **06-06**
(52) **U.S. Cl.**
USPC **D6/331**
(58) **Field of Classification Search**
USPC D6/331, 390-392
CPC A47D 7/00; A47D 13/00; A47D 13/006;
A47D 13/0061; A47D 13/0063; A47D
13/0065; A47D 13/0066; A47D 13/0068
See application file for complete search history.

FIG. 1 is a front elevational view of a playpen showing my new design;
FIG. 2 is a rear elevational view thereof;
FIG. 3 is a left side elevational view thereof;
FIG. 4 is a right side elevational view thereof;
FIG. 5 is a top plan view thereof;
FIG. 6 is a bottom plan view thereof;
FIG. 7 is a top perspective view thereof;
FIG. 8 is a bottom perspective view thereof;
FIG. 9 is a top perspective view of the playpen shown in an alternate closed configuration;
FIG. 10 is an enlarged detailed view taken from the encircled area labeled FIG. 10 in FIG. 1;
FIG. 11 is an enlarged detailed view taken from the encircled area labeled FIG. 11 in FIG. 1;
FIG. 12 is an enlarged detailed view taken from the encircled area labeled FIG. 12 in FIG. 2;
FIG. 13 is an enlarged detailed view taken from the encircled area labeled FIG. 13 in FIG. 2;
FIG. 14 is an enlarged detailed view taken from the encircled area labeled FIG. 14 in FIG. 5;
FIG. 15 is an enlarged detailed view taken from the encircled area labeled FIG. 15 in FIG. 5;
FIG. 16 is an enlarged detailed view taken from the encircled area labeled FIG. 16 in FIG. 6;
FIG. 17 is an enlarged detailed view taken from the encircled area labeled FIG. 17 in FIG. 6;
FIG. 18 is an enlarged detailed view taken from the encircled area labeled FIG. 18 in FIG. 7;
FIG. 19 is an enlarged detailed view taken from the encircled area labeled FIG. 19 in FIG. 7;
FIG. 20 is an enlarged detailed view taken from the encircled area labeled FIG. 20 in FIG. 8; and,
FIG. 21 is an enlarged detailed view taken from the encircled area labeled FIG. 21 in FIG. 8.
The broken lines in the figures are for the purposes of illustrating portions of the playpen, which form no part of the claimed design.

(56) **References Cited**

U.S. PATENT DOCUMENTS

804,581 A * 11/1905 Charmichael A47D 13/063
5/99.1
2,866,983 A * 1/1959 Rose A47D 13/065
5/99.1
D281,745 S * 12/1985 Pandorf D6/390
5,553,833 A * 9/1996 Bohlen E01F 13/026
256/19
D382,718 S * 8/1997 Mariol A47D 13/066
D6/331
6,098,217 A * 8/2000 Hammil A47D 13/066
5/93.1

(Continued)

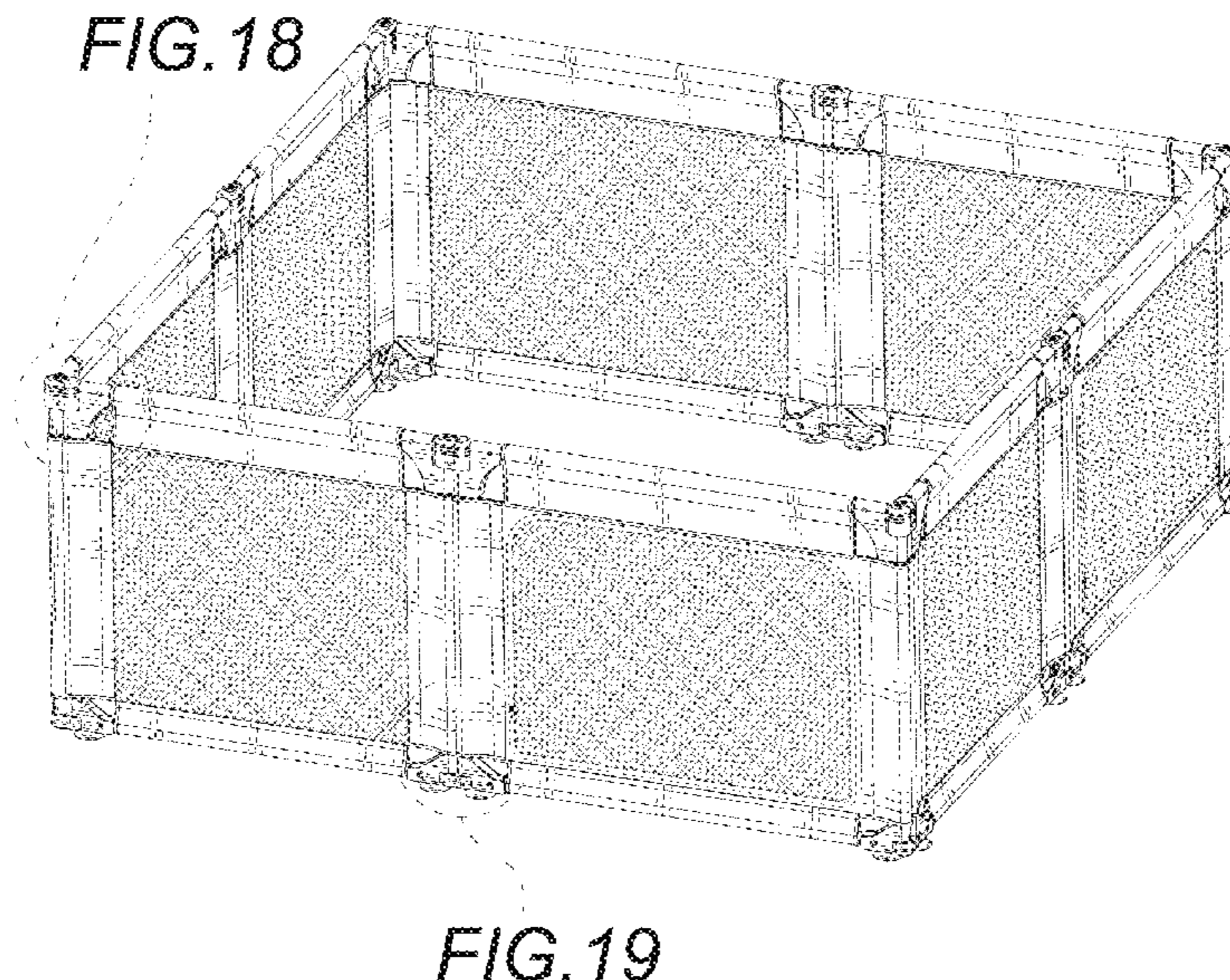
Primary Examiner — Mary Ann Calabrese

(74) *Attorney, Agent, or Firm* — Rumit Ranjit Kanakia

(57) **CLAIM**

The ornamental design for a playpen, as shown and described.

1 Claim, 21 Drawing Sheets



(56)

References Cited

U.S. PATENT DOCUMENTS

D434,914 S 12/2000 Wang
D554,871 S * 11/2007 Volk D6/331
D580,663 S 11/2008 Gentil
D609,478 S 2/2010 Hartenstine
D610,357 S 2/2010 Gillett
D619,379 S 7/2010 Gillett
D621,170 S 8/2010 Hartenstine
D680,760 S 4/2013 Hsu
9,801,473 B2 * 10/2017 Jackson A47D 13/063
D859,857 S 9/2019 Chai
D862,913 S 10/2019 Jin
D880,172 S 4/2020 Wright
D909,772 S * 2/2021 Lu A47D 13/063
D6/331
D946,912 S * 3/2022 Wu A47D 13/065
D6/331

* cited by examiner

FIG. 10

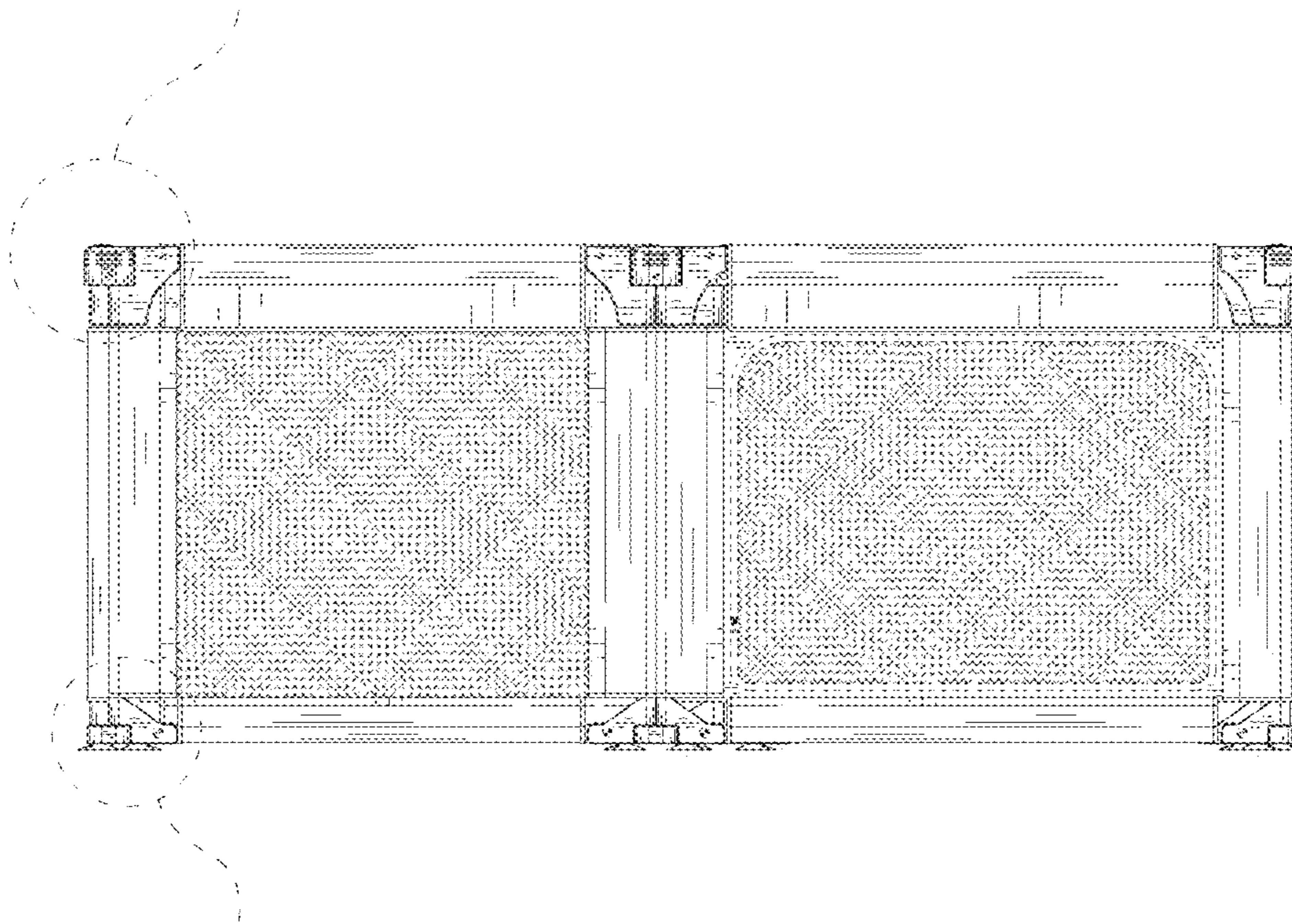


FIG. 11

FIG. 1

FIG. 12

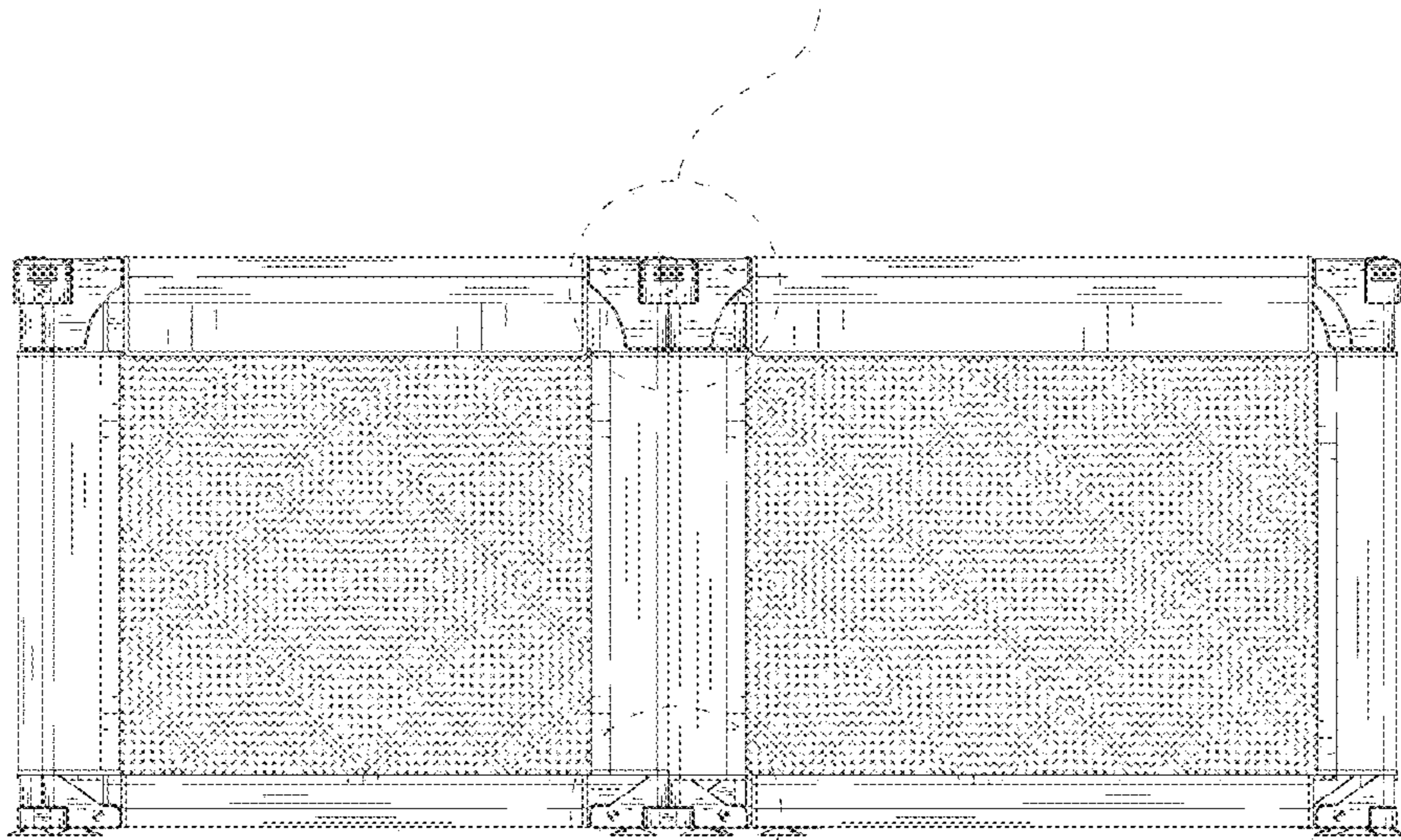


FIG. 13

FIG. 2

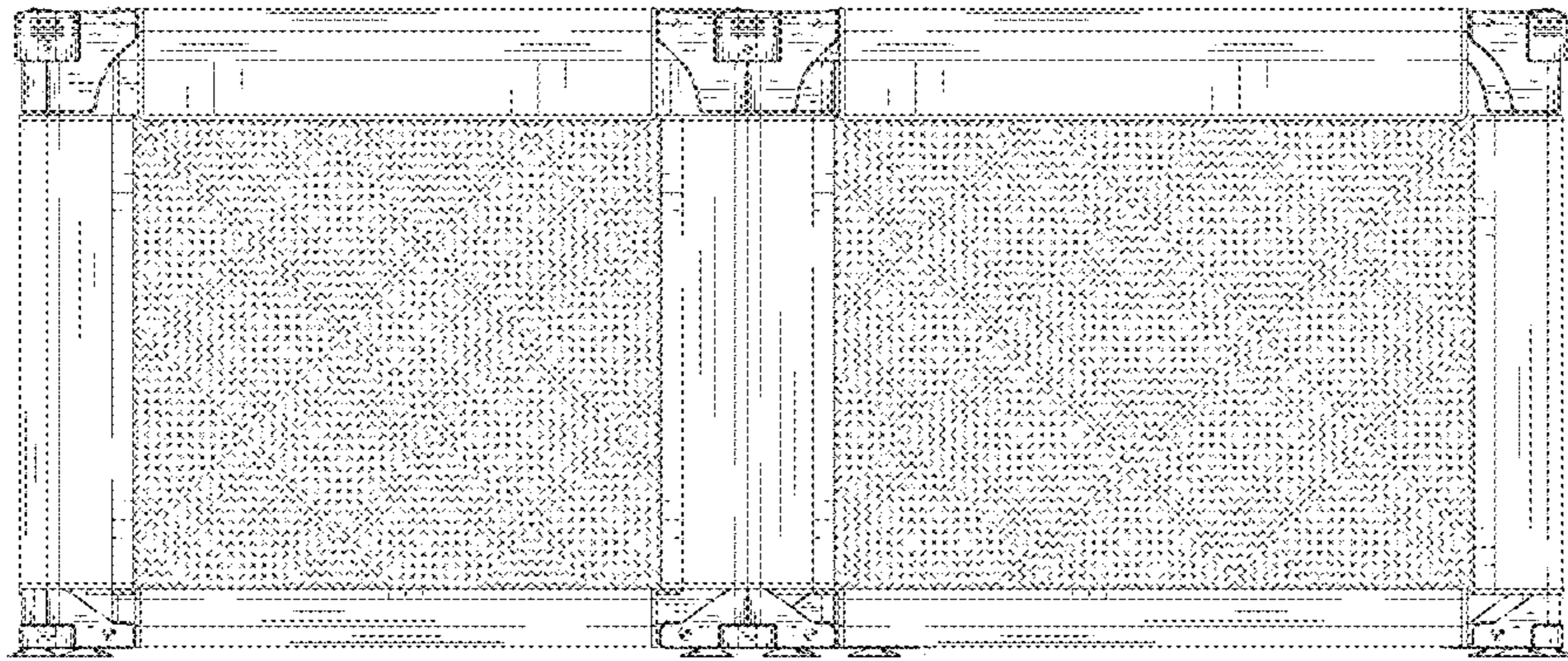


FIG. 3

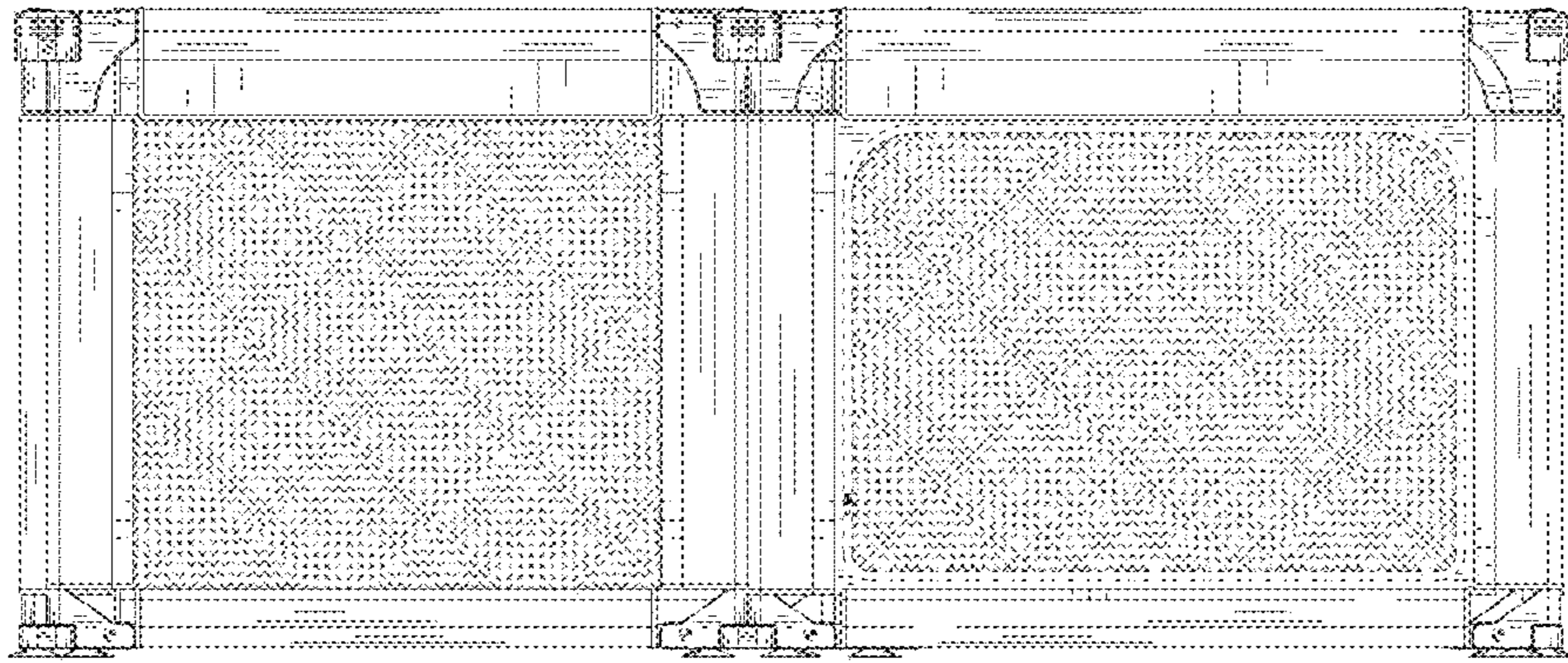


FIG. 4

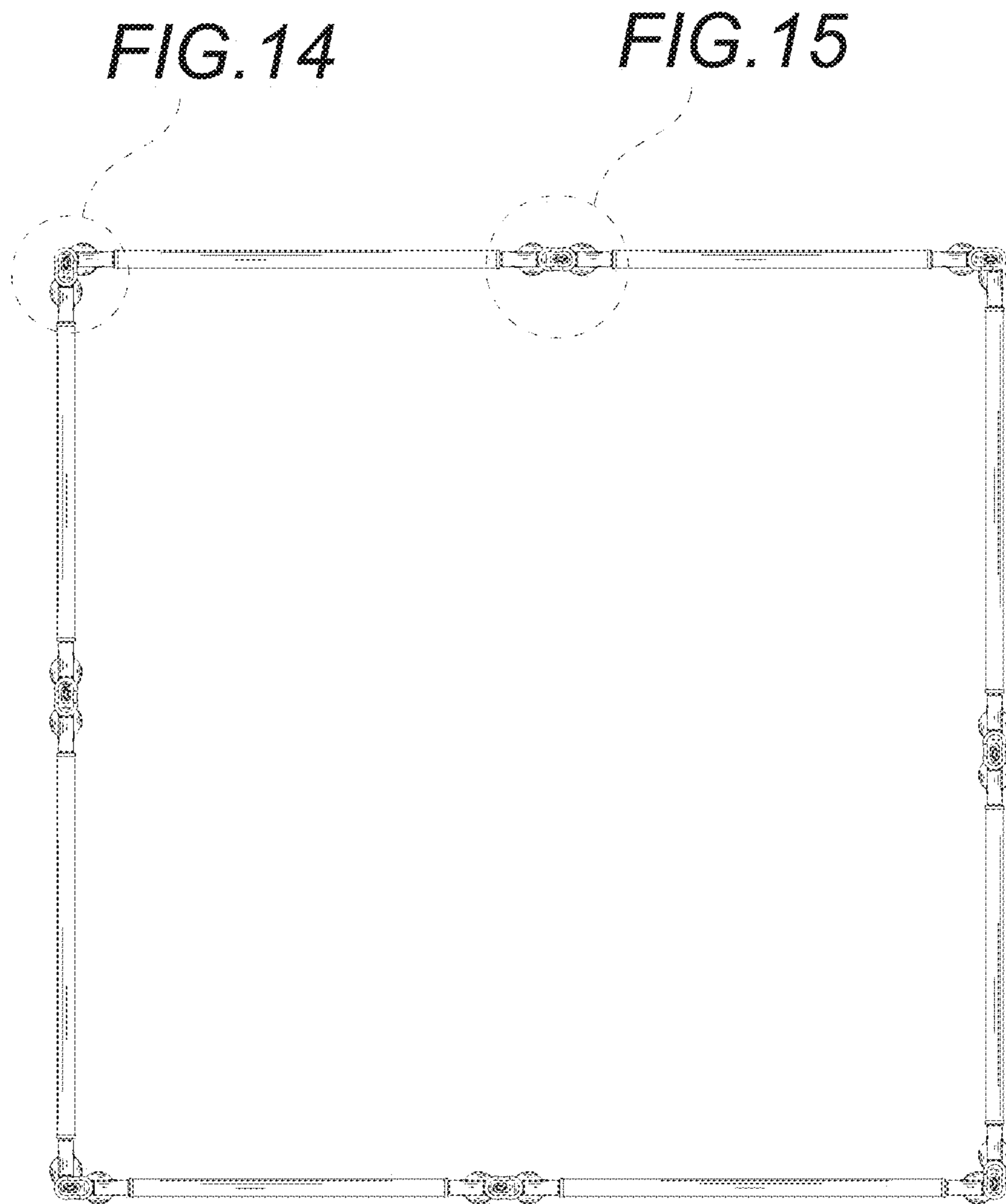


FIG. 5

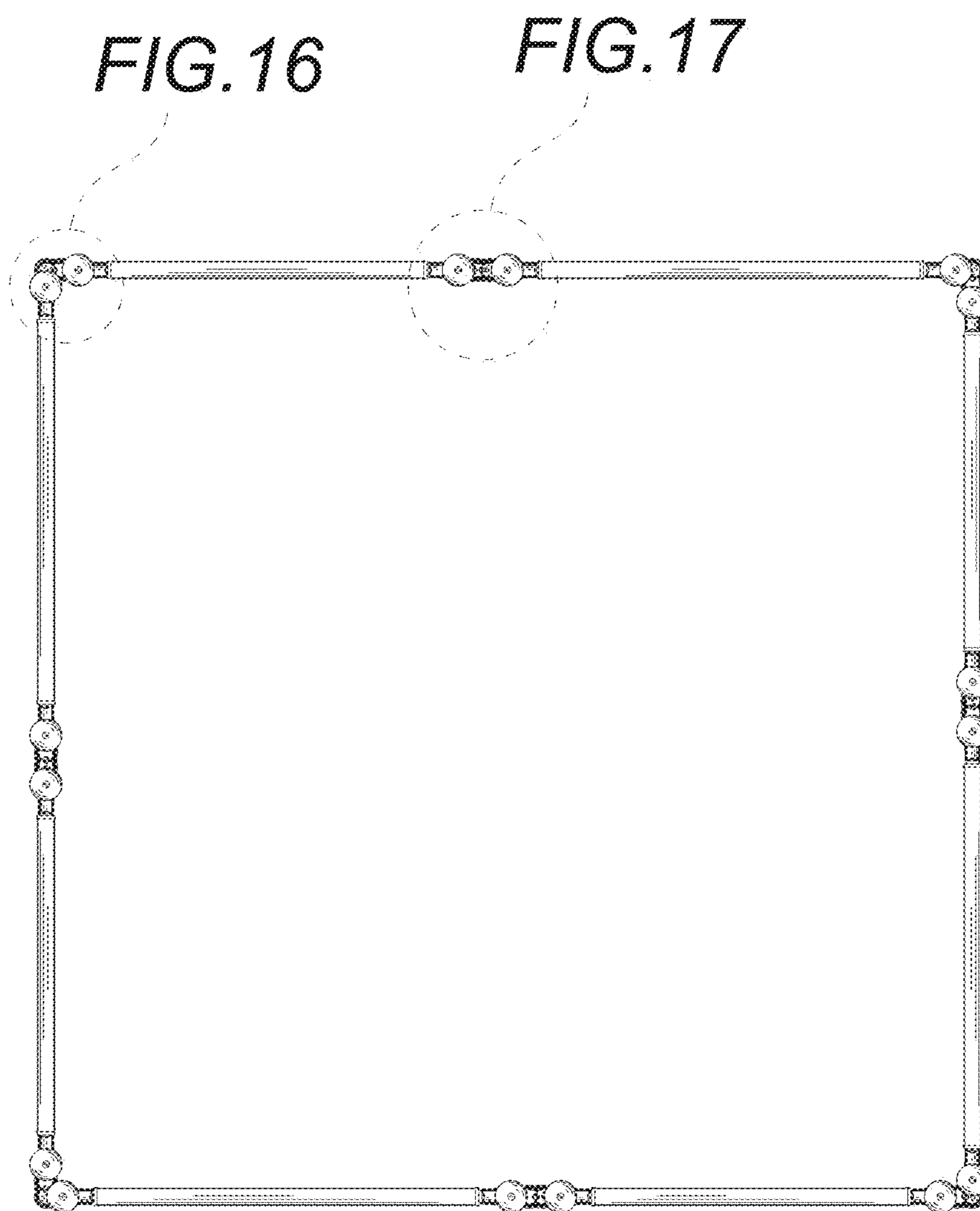


FIG. 6

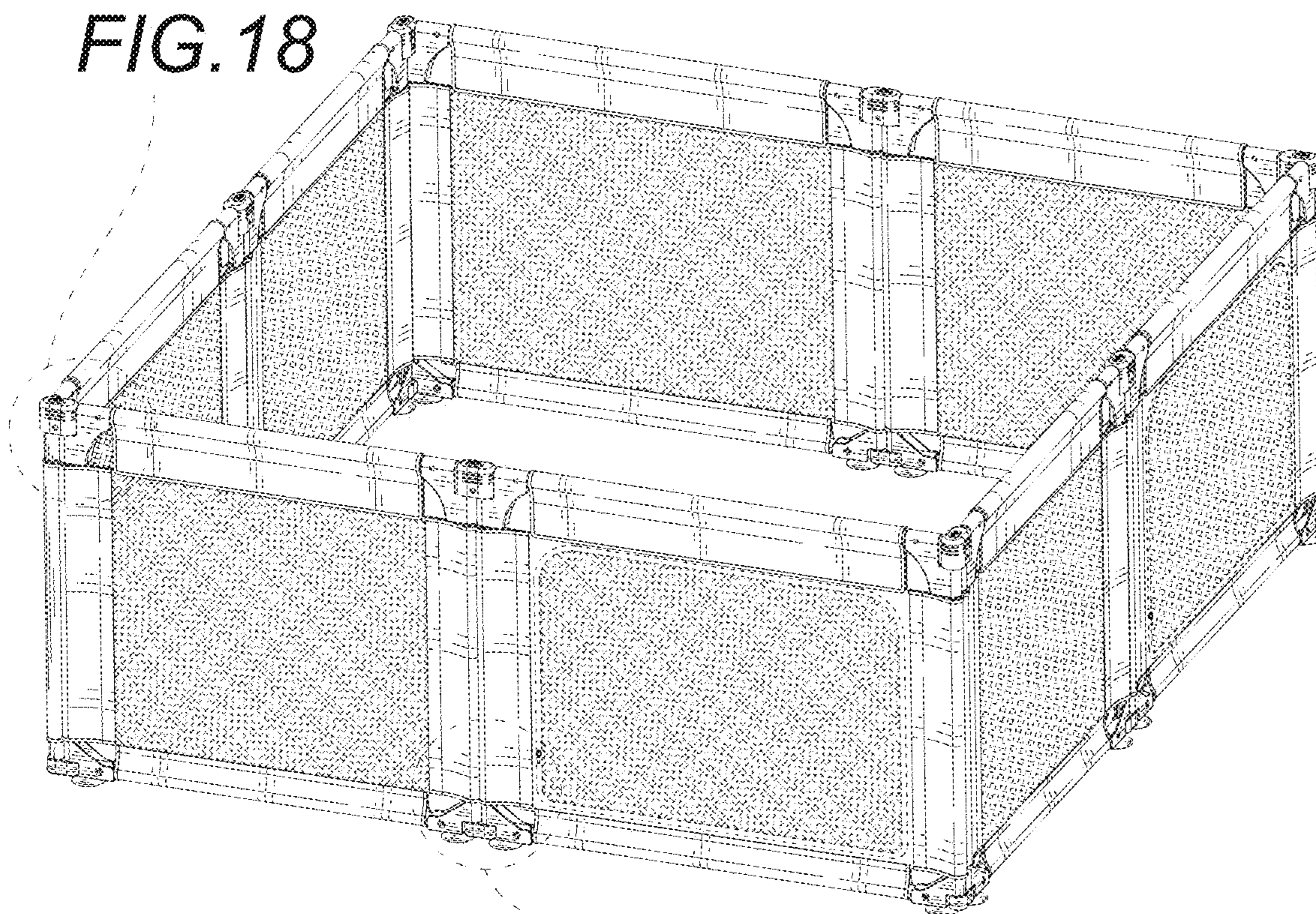


FIG. 18

FIG. 19

FIG. 7

FIG. 20

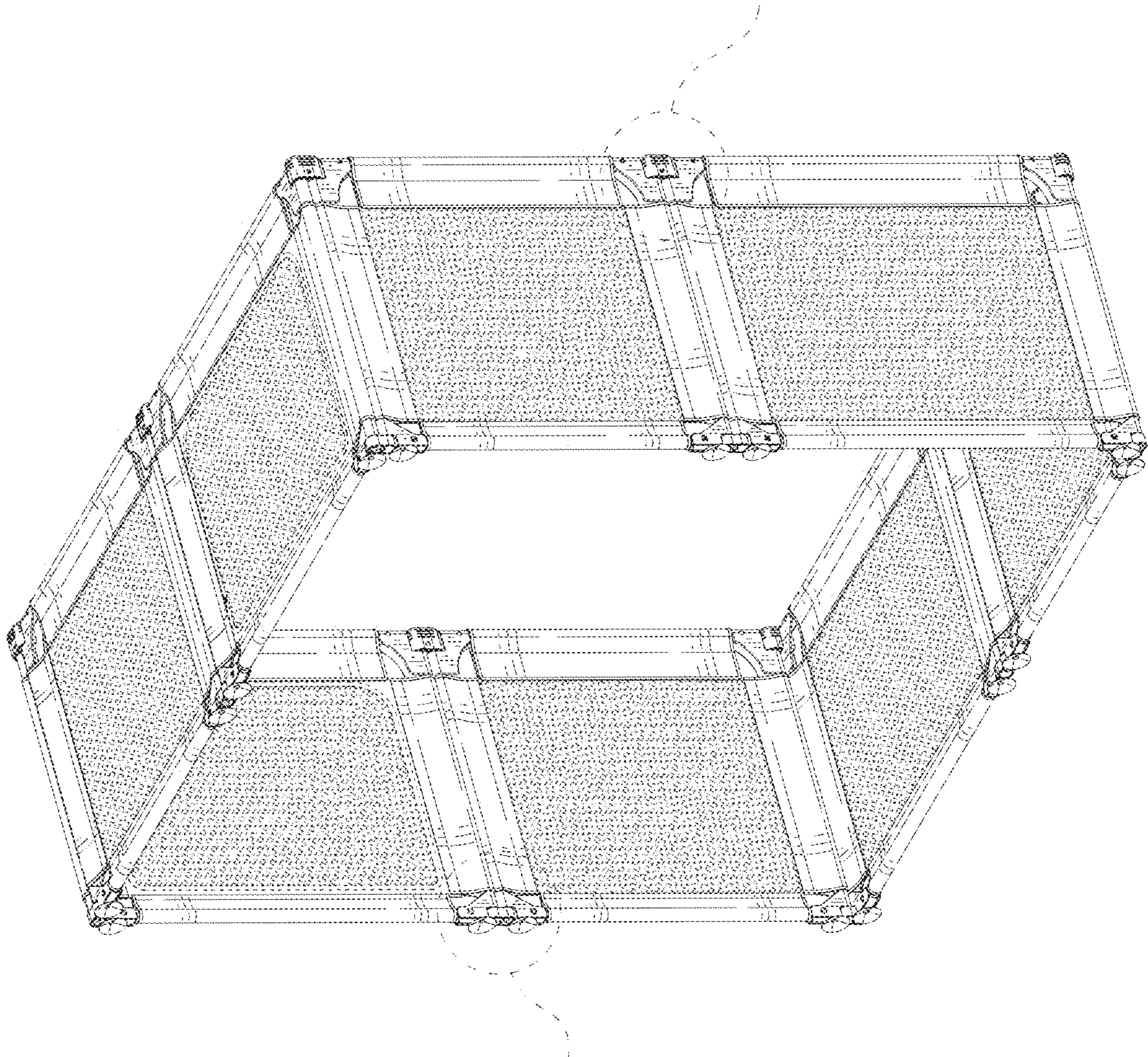


FIG. 21

FIG. 8

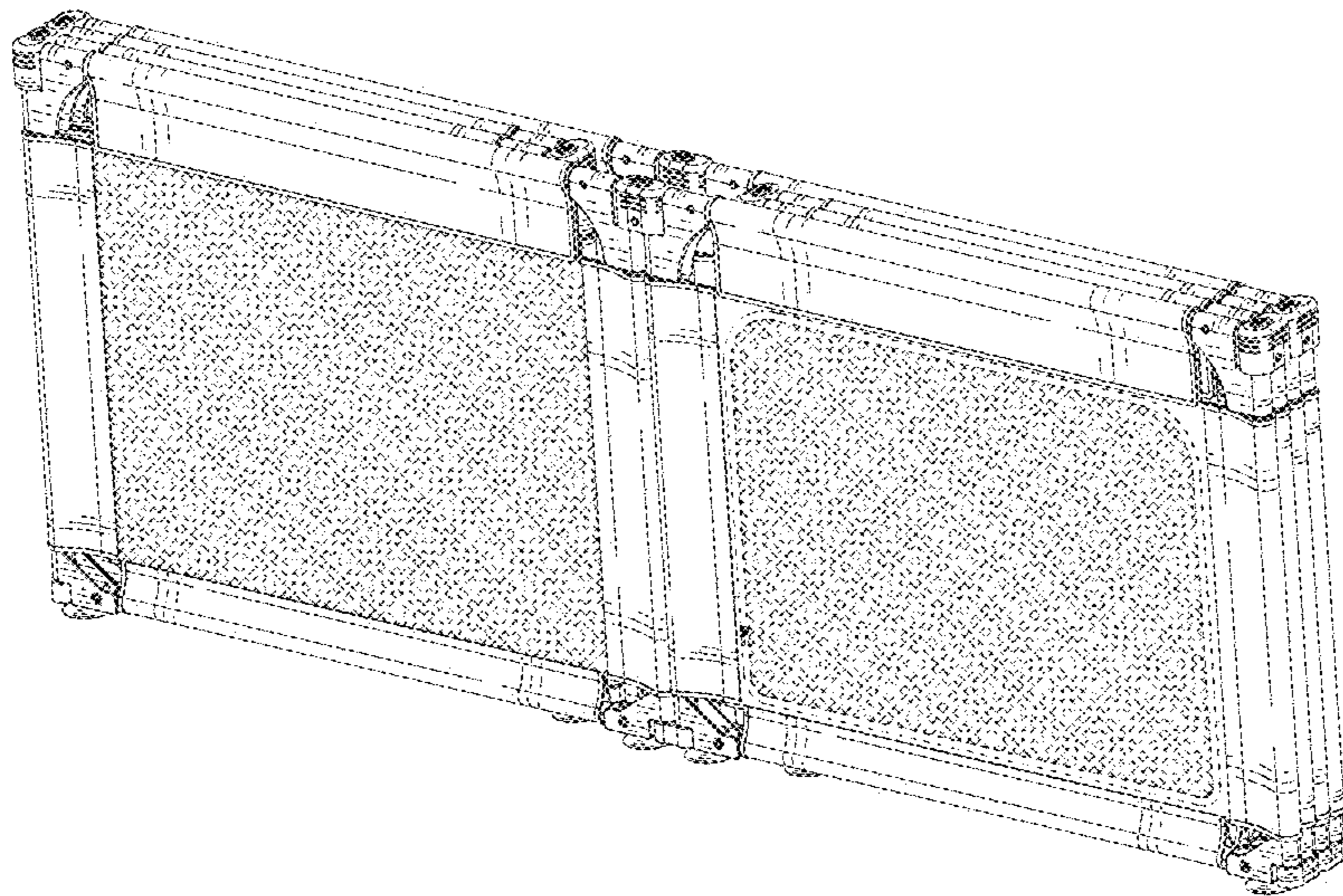


FIG. 9

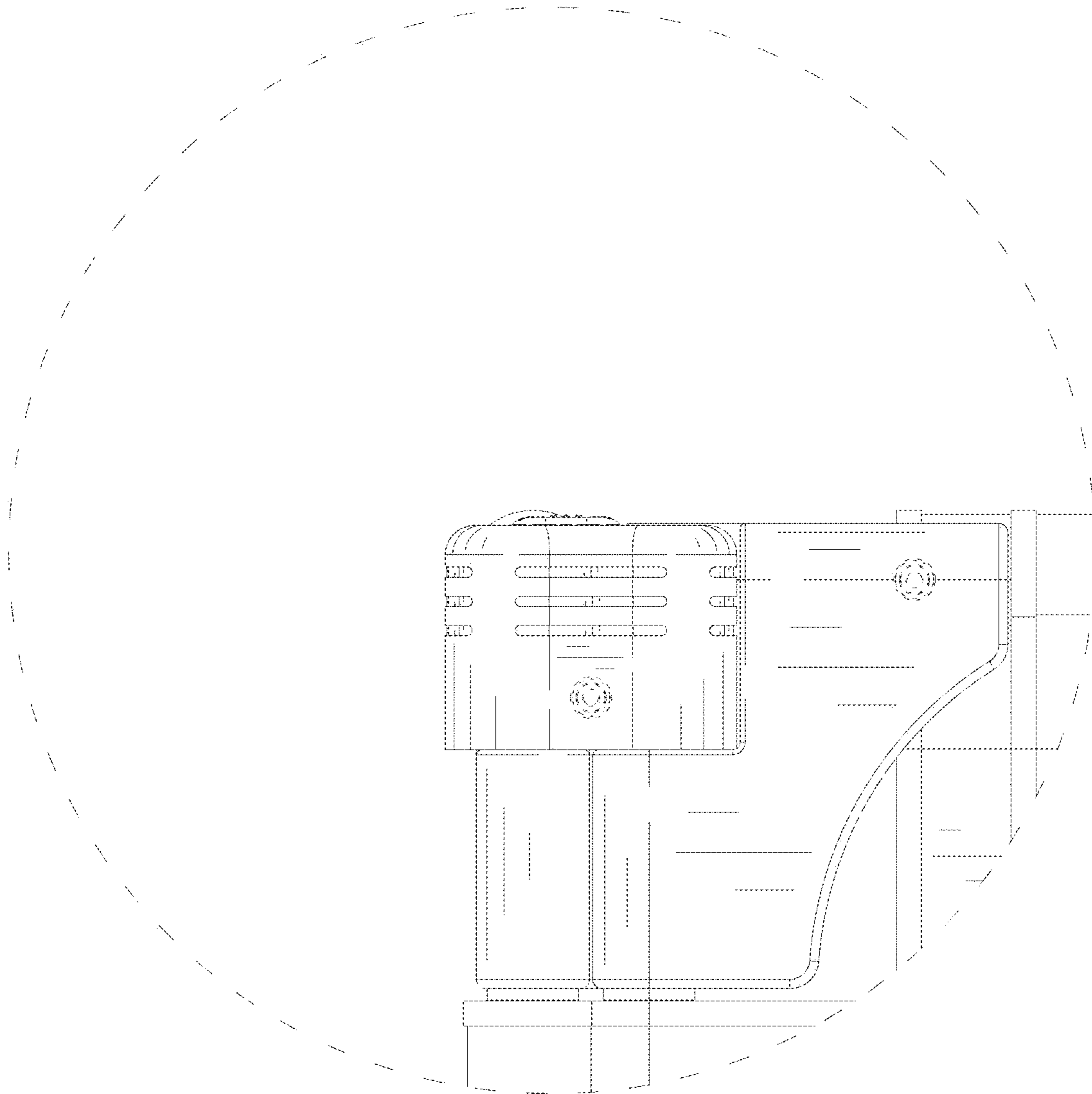


FIG. 10

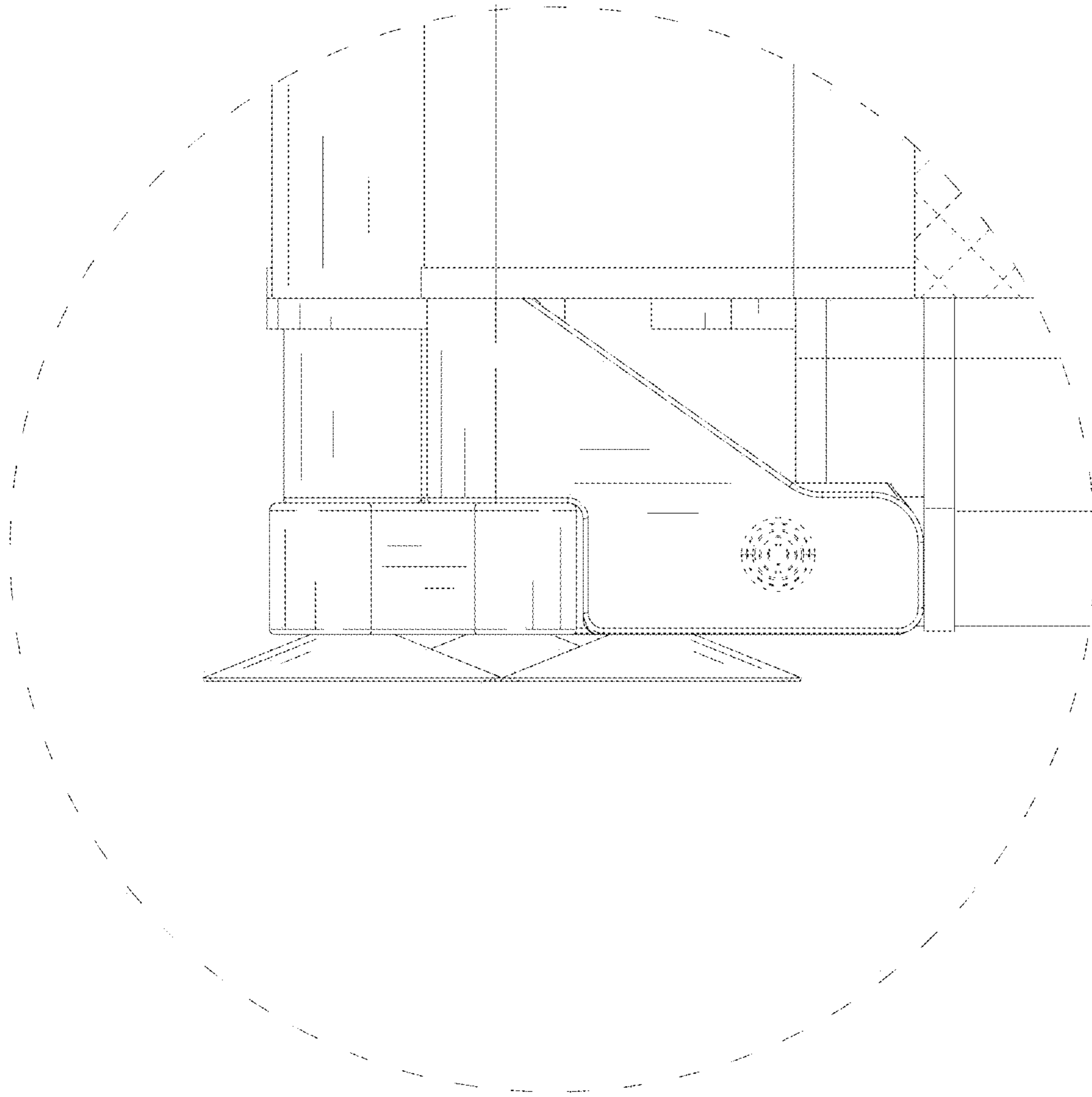


FIG. 11

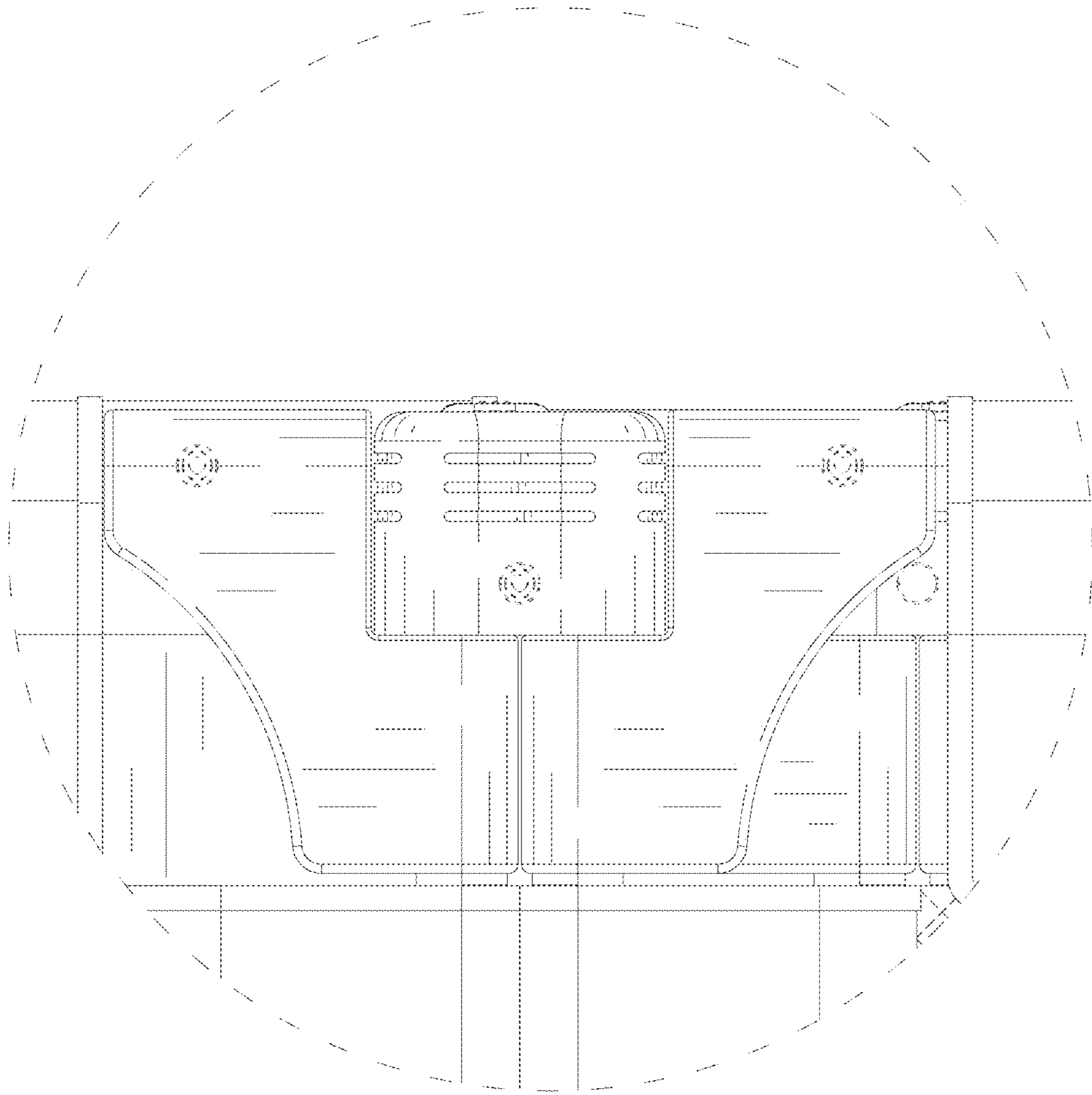


FIG. 12

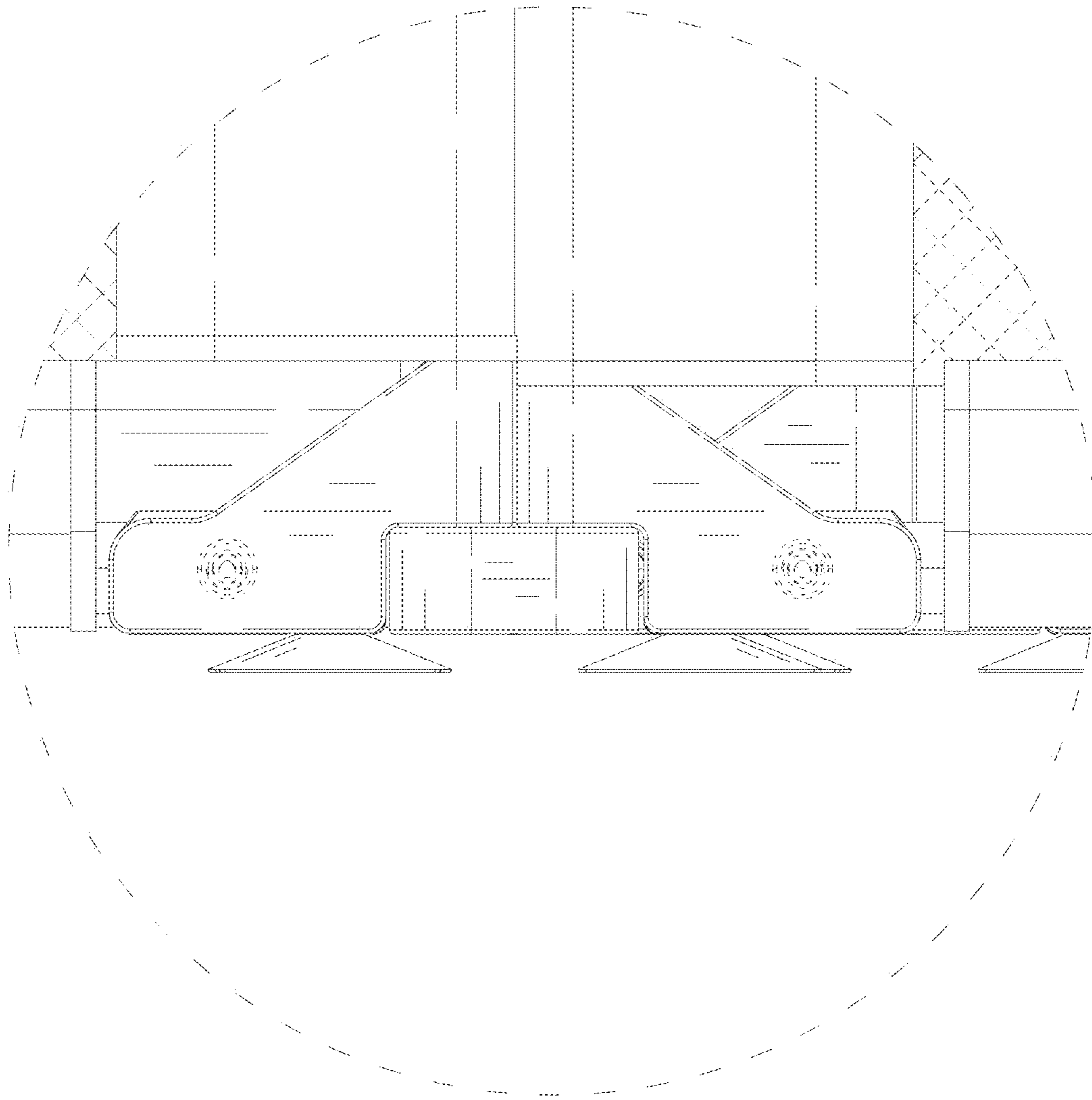


FIG. 13

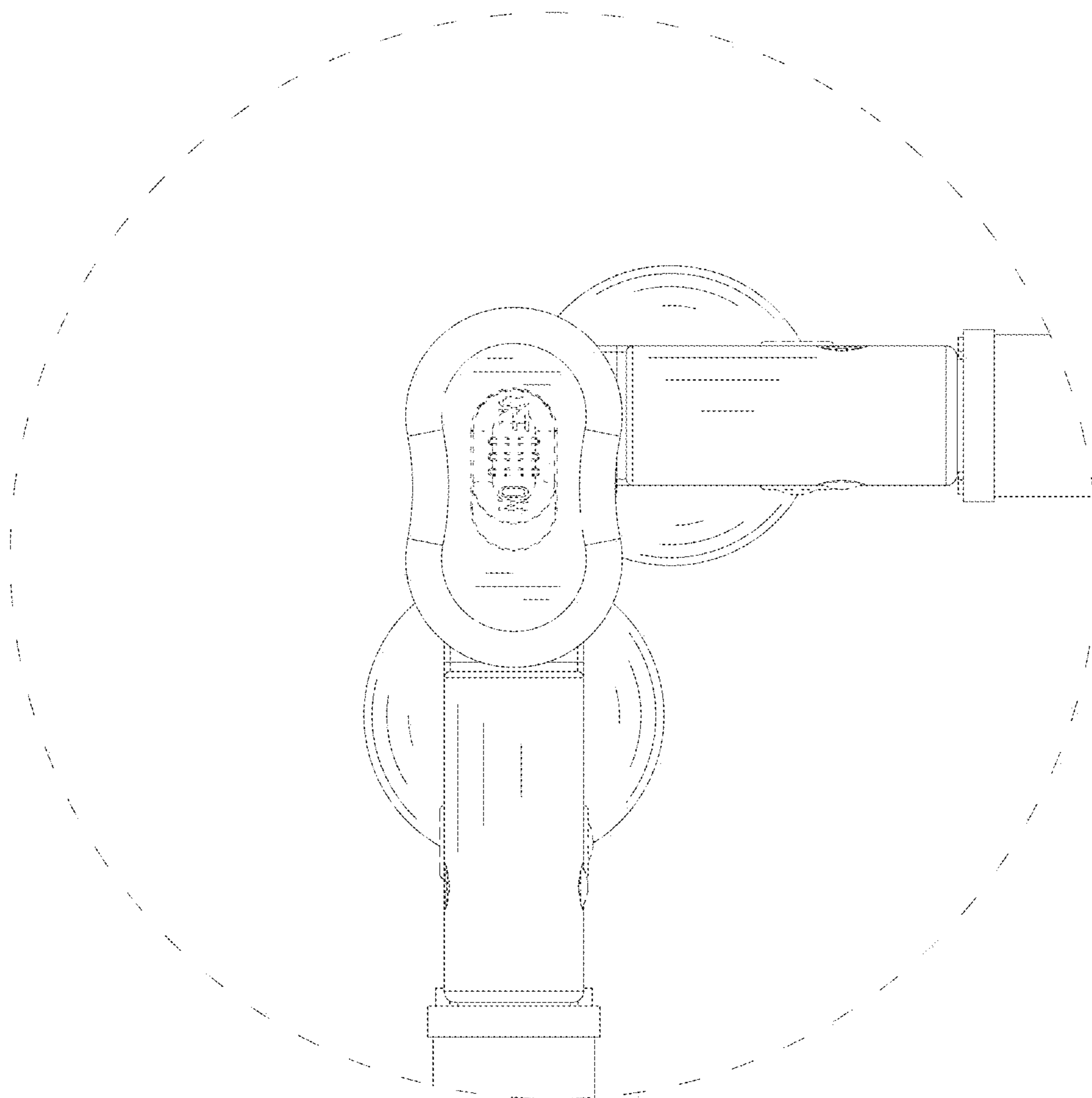


FIG. 14

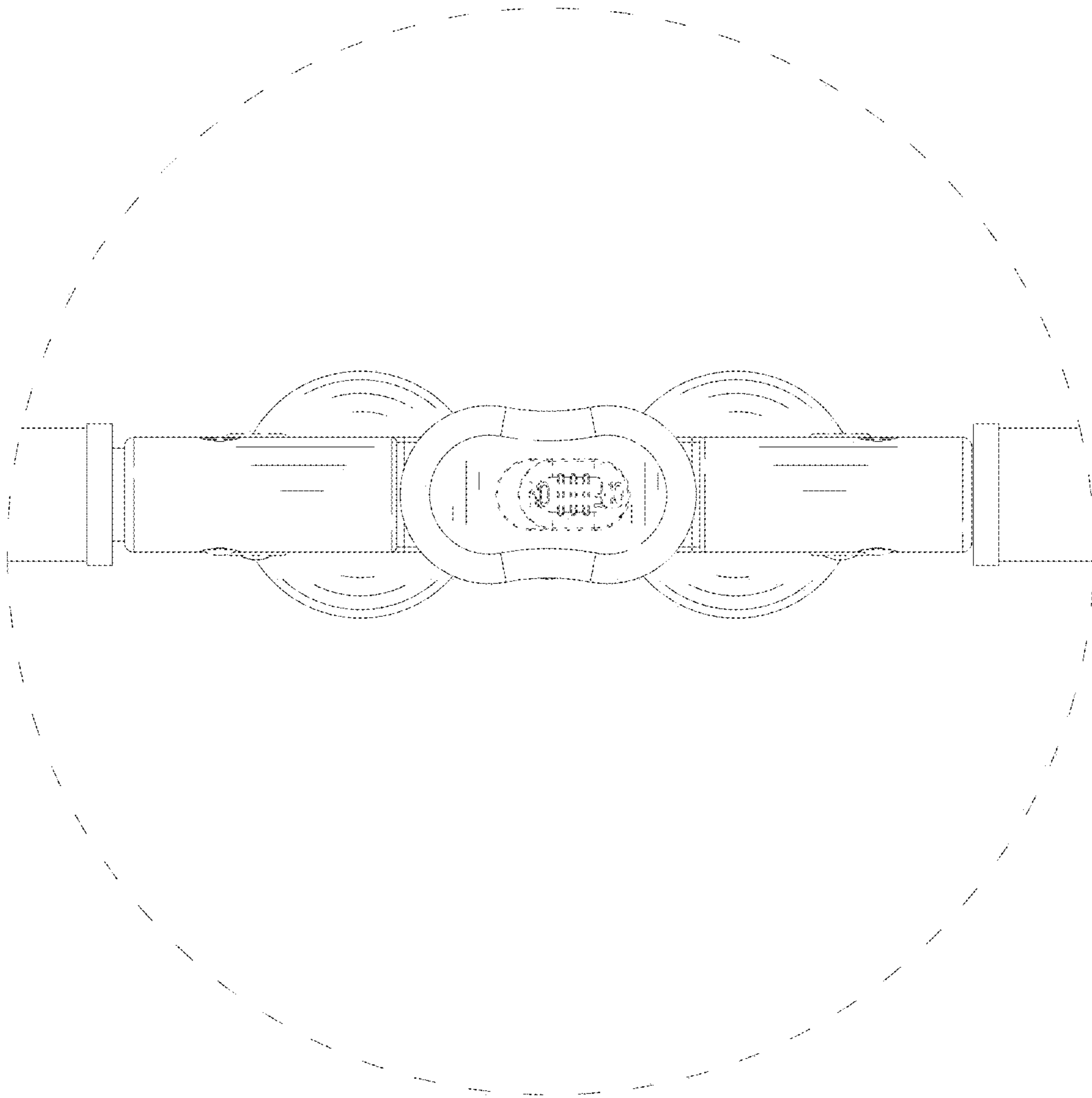


FIG. 15

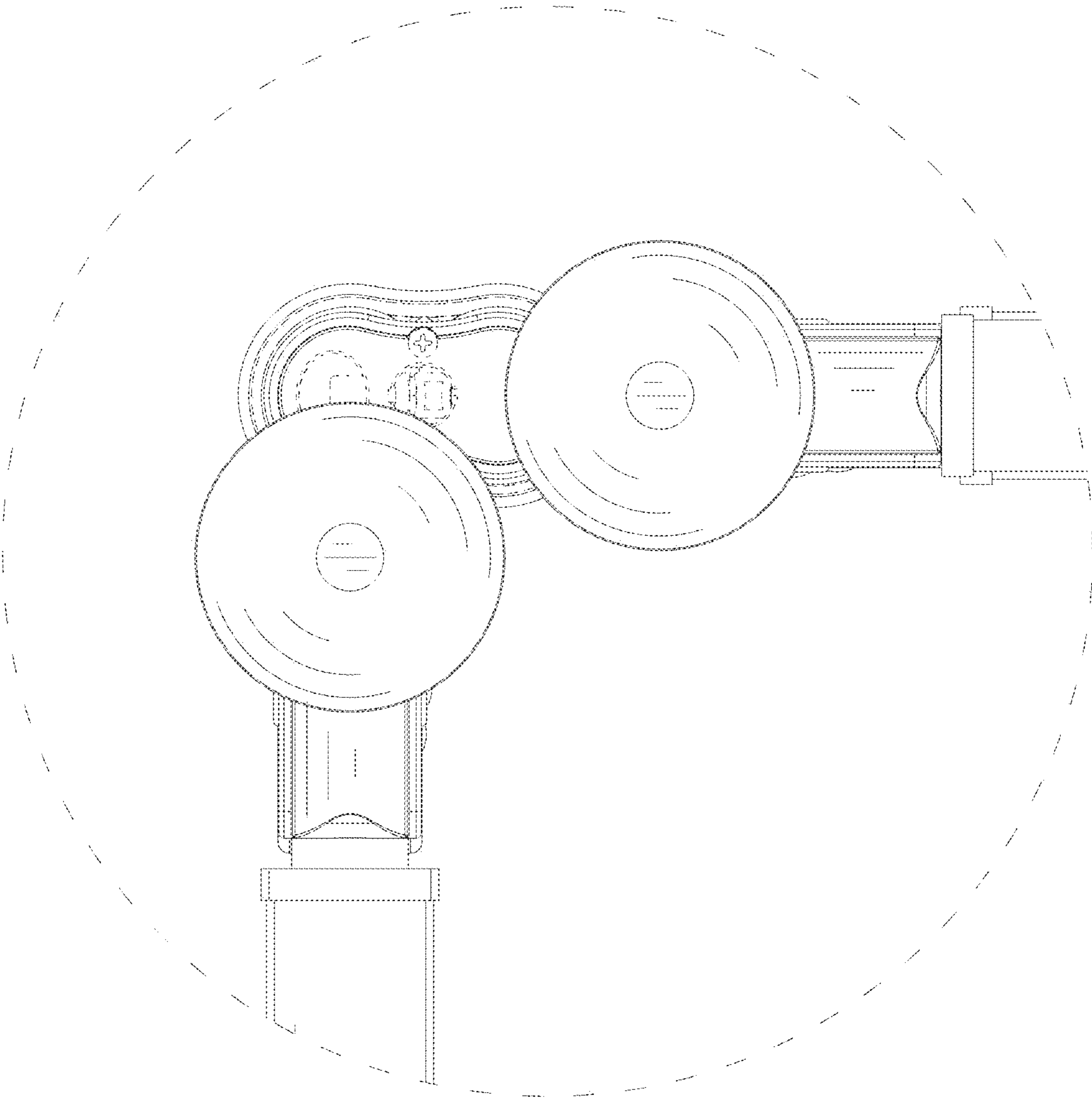


FIG. 16

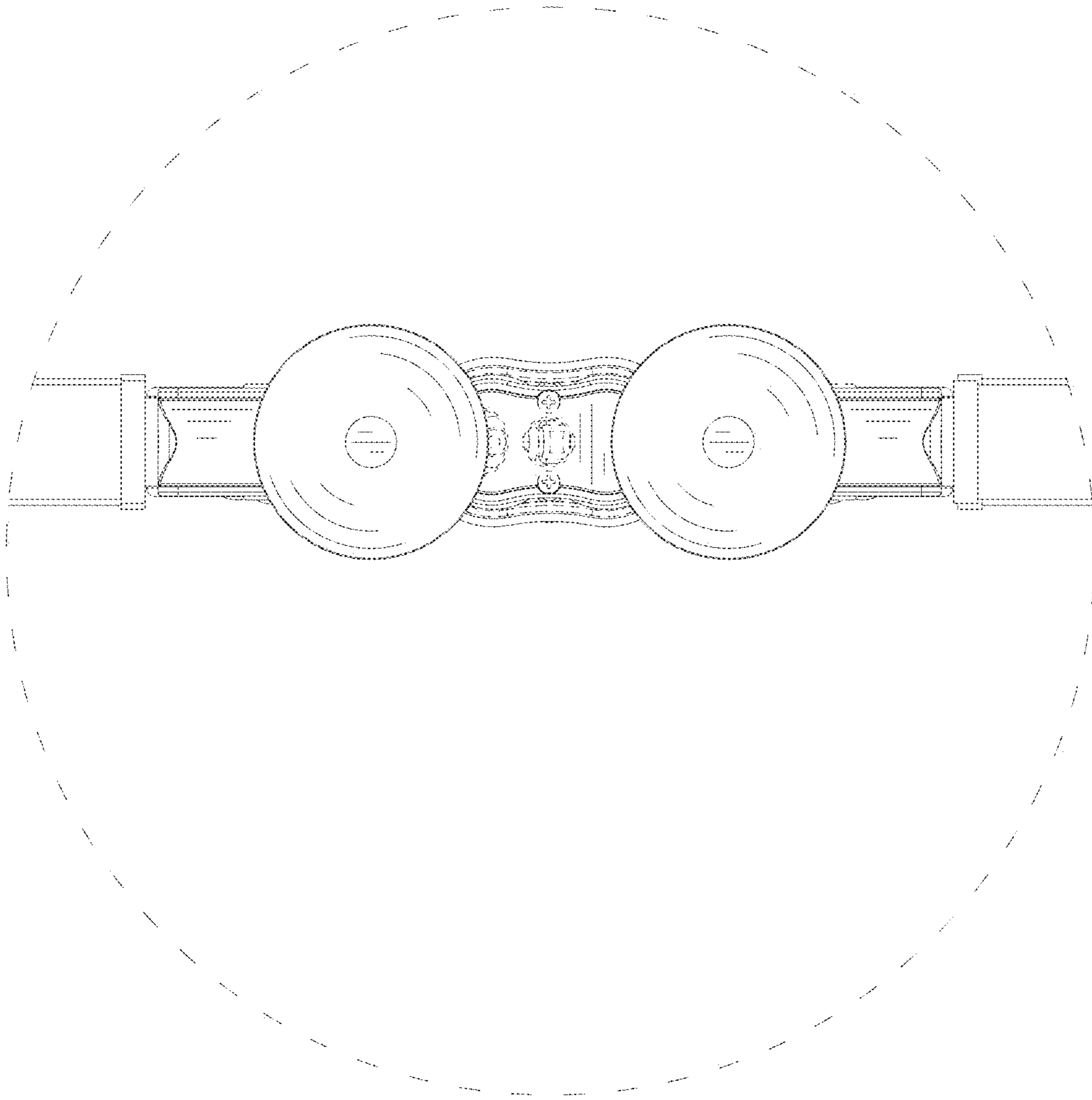


FIG. 17

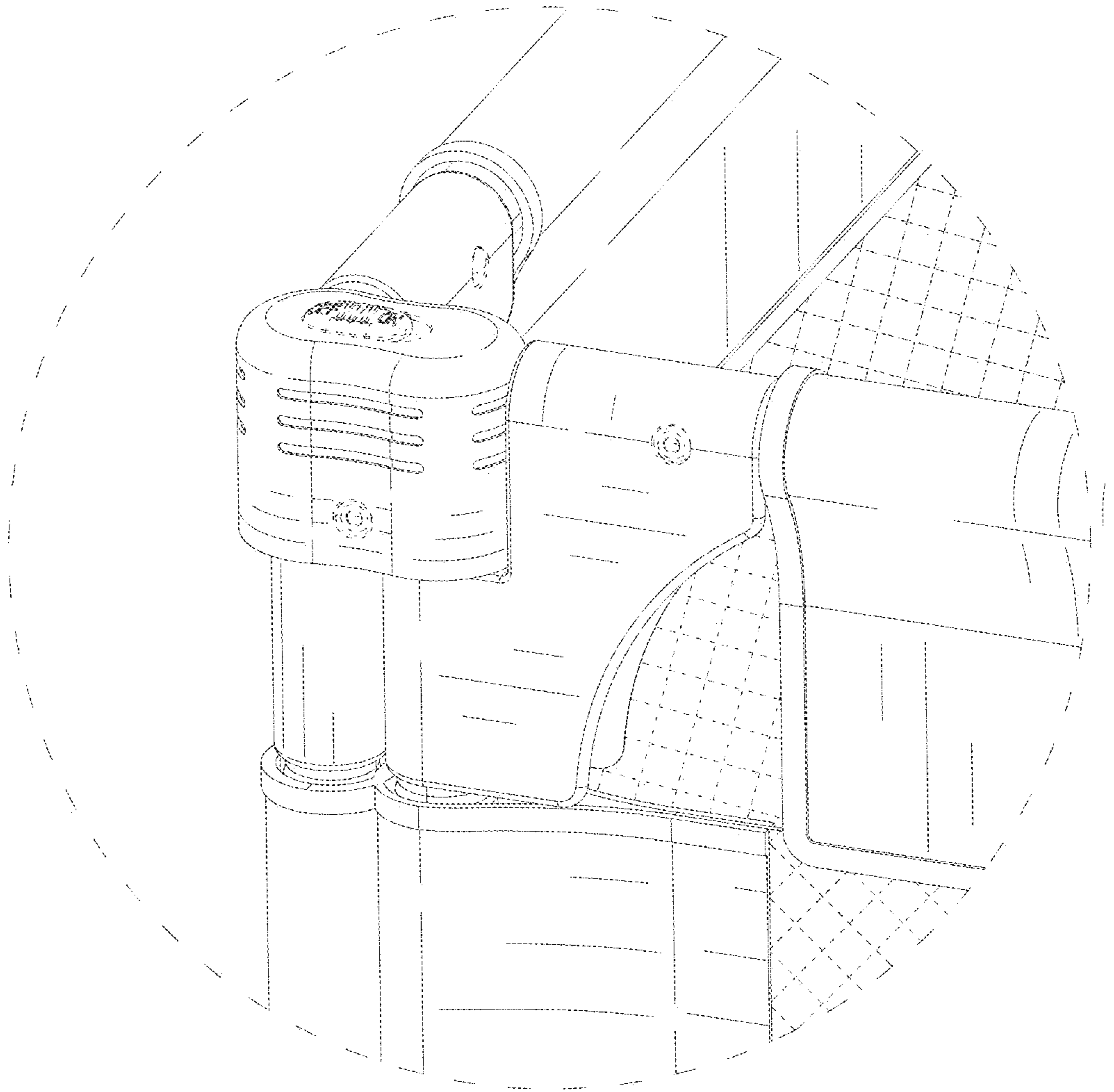


FIG. 18

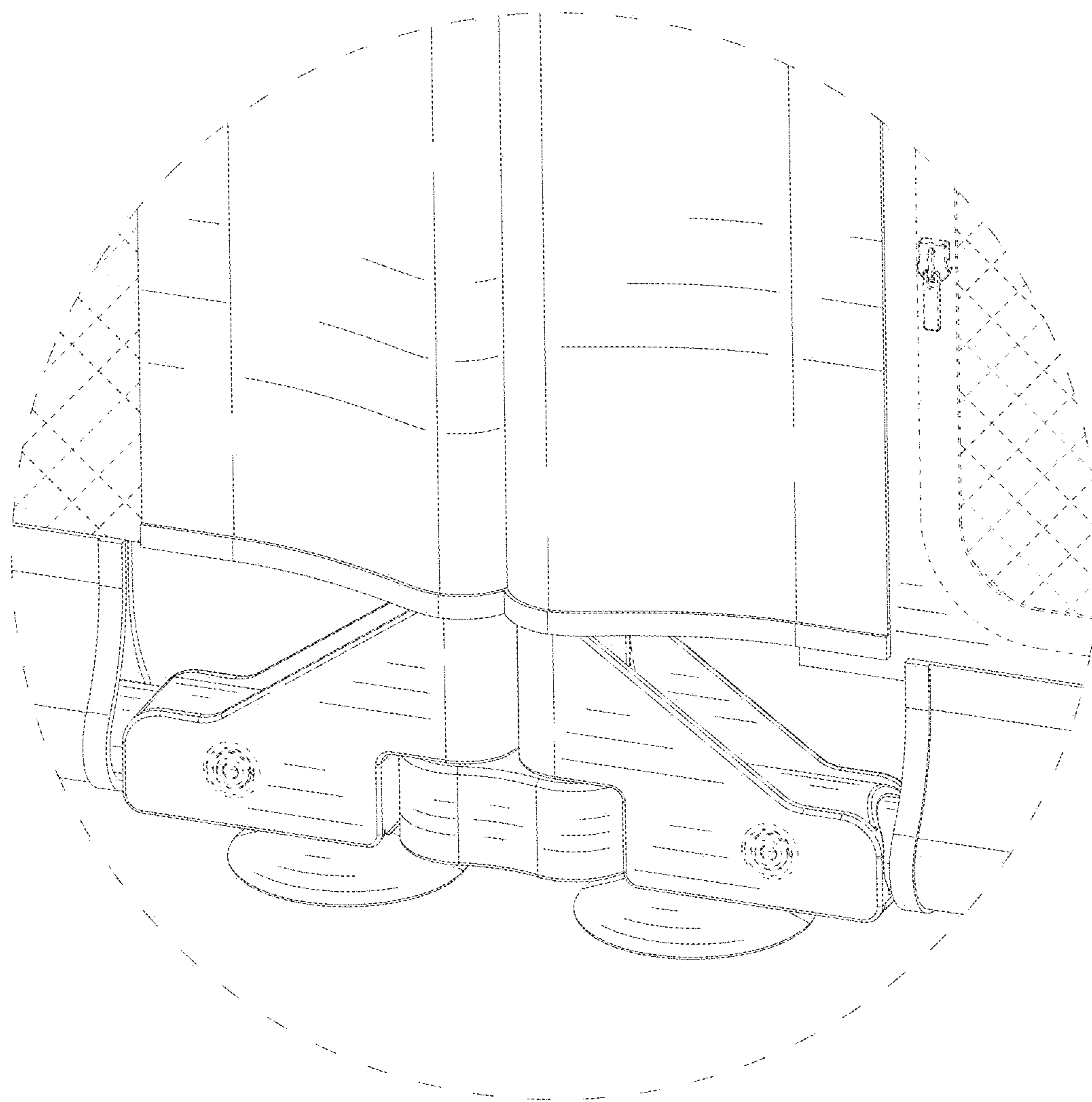


FIG. 19

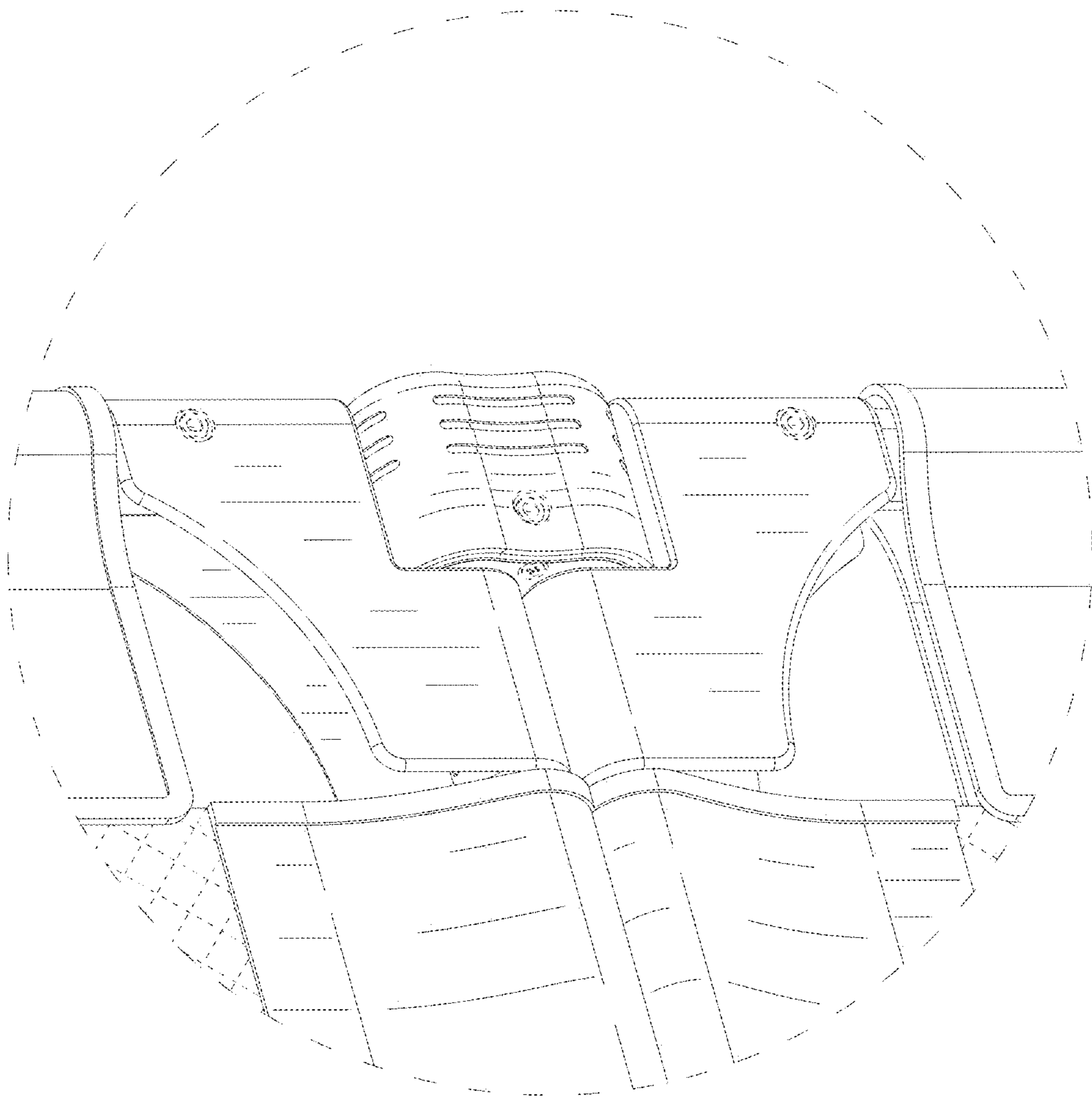


FIG. 20

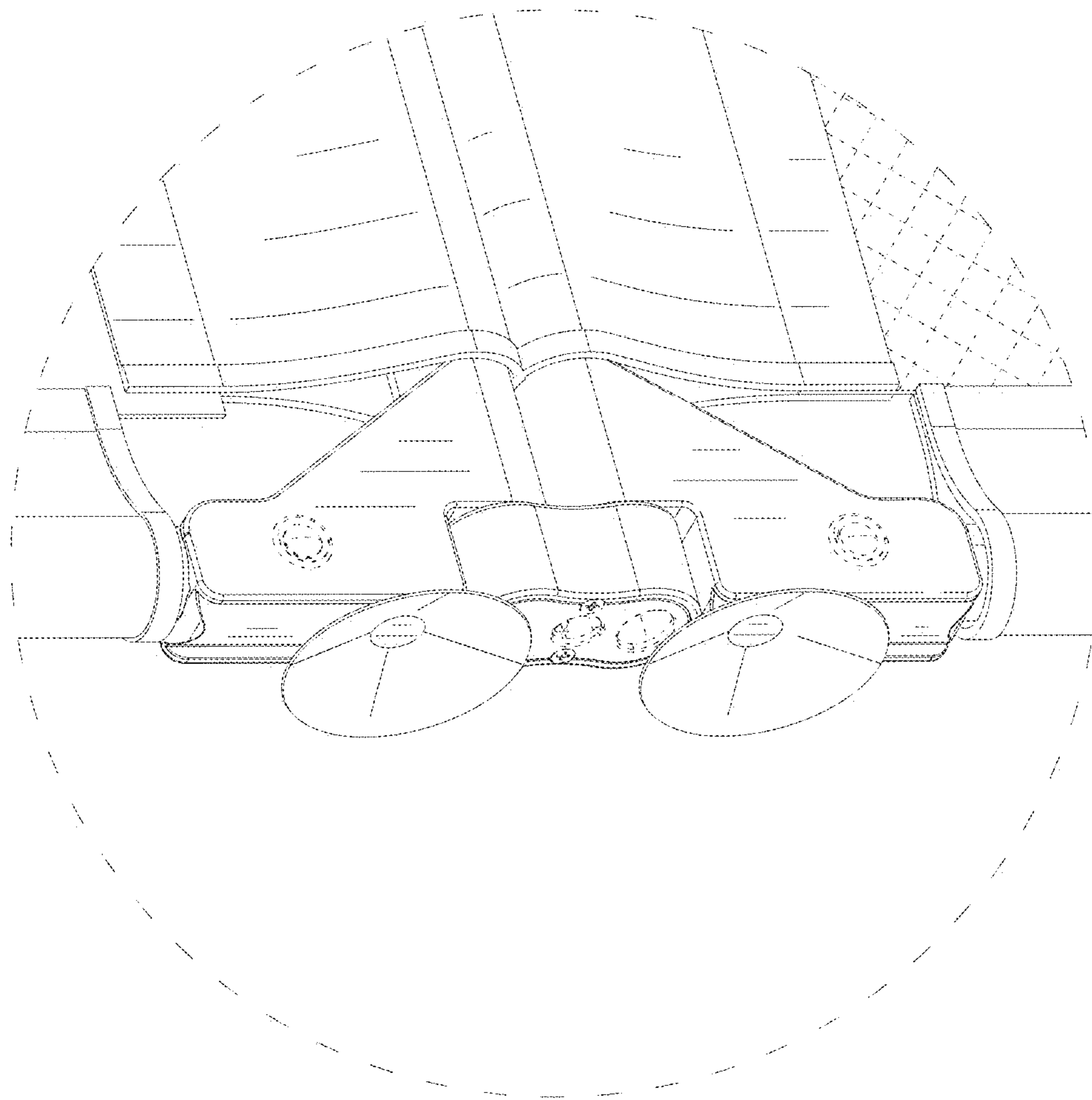


FIG. 21