

US00D965310S

(12) **United States Design Patent**
Pan

(10) **Patent No.:** **US D965,310 S**

(45) **Date of Patent:** **** Oct. 4, 2022**

(54) **COAT RAIL**

(71) Applicant: **Ningbo Debeida Science & technology Co., Ltd., Ningbo (CN)**

(72) Inventor: **Feng Pan, Ningbo (CN)**

(**) Term: **15 Years**

(21) Appl. No.: **29/797,766**

(22) Filed: **Jul. 2, 2021**

(30) **Foreign Application Priority Data**

Jun. 2, 2021 (CN) 202130336451.3

(51) **LOC (13) Cl.** **06-08**

(52) **U.S. Cl.**
USPC **D6/323; D6/572**

(58) **Field of Classification Search**
USPC D6/315-328, 552, 553, 567, 569, 570,
D6/571, 572, 574; D8/367, 372
CPC A47G 25/32; A47G 25/28; A47G 25/10;
A47G 25/743; A47G 25/746; A47G
25/36; A47G 25/0664; A47G 29/08;
A47G 33/1246; A47G 29/00; A47F
5/0006; A47F 7/06; A47F 5/0018; A47F
5/08; A47F 7/19; A47F 7/0028; A47F
5/0823; A47F 5/0815; A47F 5/0876;
A47F 5/101

See application file for complete search history.

(56) **References Cited**

U.S. PATENT DOCUMENTS

D294,791 S * 3/1988 Loscalzo D6/323
D294,792 S * 3/1988 Zimmerman D6/323

6,161,707 A * 12/2000 Lin A47G 25/06
211/32
D438,044 S * 2/2001 Mahlmann D6/574
D469,647 S * 2/2003 Howard A47G 29/10
D6/569
D478,450 S * 8/2003 Howard A47G 29/10
D6/569
D547,584 S * 7/2007 Little D8/372
D600,538 S * 9/2009 Thompson D8/372
D694,097 S * 11/2013 Hammer D8/372
D751,371 S * 3/2016 Pan D8/372
D916,515 S * 4/2021 Wilson D6/572
D952,368 S * 5/2022 Cheng D6/574
2017/0127867 A1 * 5/2017 Malott A47G 29/00
2020/0221891 A1 * 7/2020 Ford A47G 25/18

* cited by examiner

Primary Examiner — Lauren R Calve

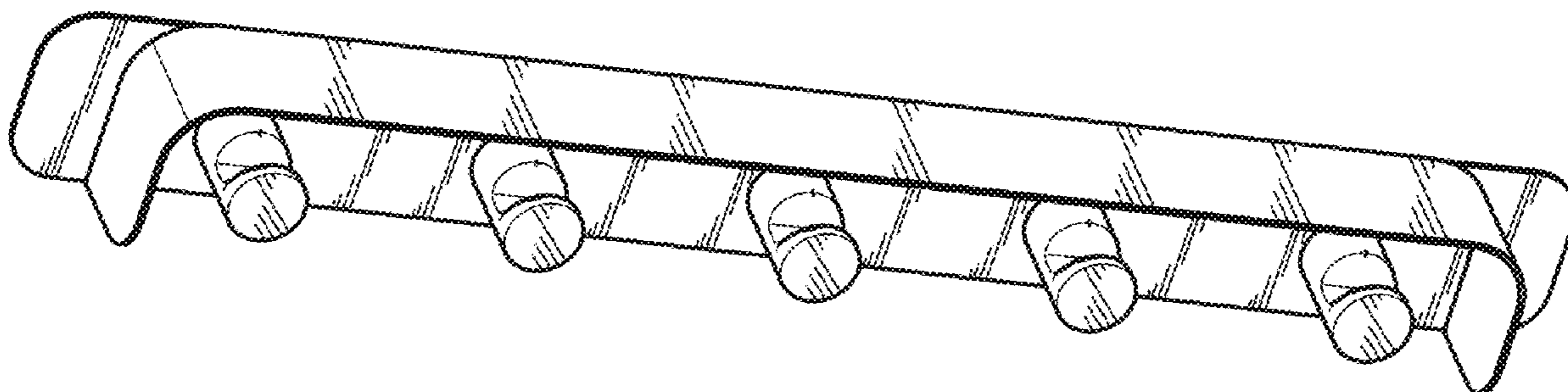
(57) **CLAIM**

The ornamental design for a coat rail, as shown and described.

DESCRIPTION

FIG. 1 is a perspective view of a coat rail;
FIG. 2 is a back view thereof;
FIG. 3 is a bottom view thereof;
FIG. 4 is a front view thereof;
FIG. 5 is a left side view thereof;
FIG. 6 is a right side view thereof; and,
FIG. 7 is a top view thereof.

1 Claim, 7 Drawing Sheets



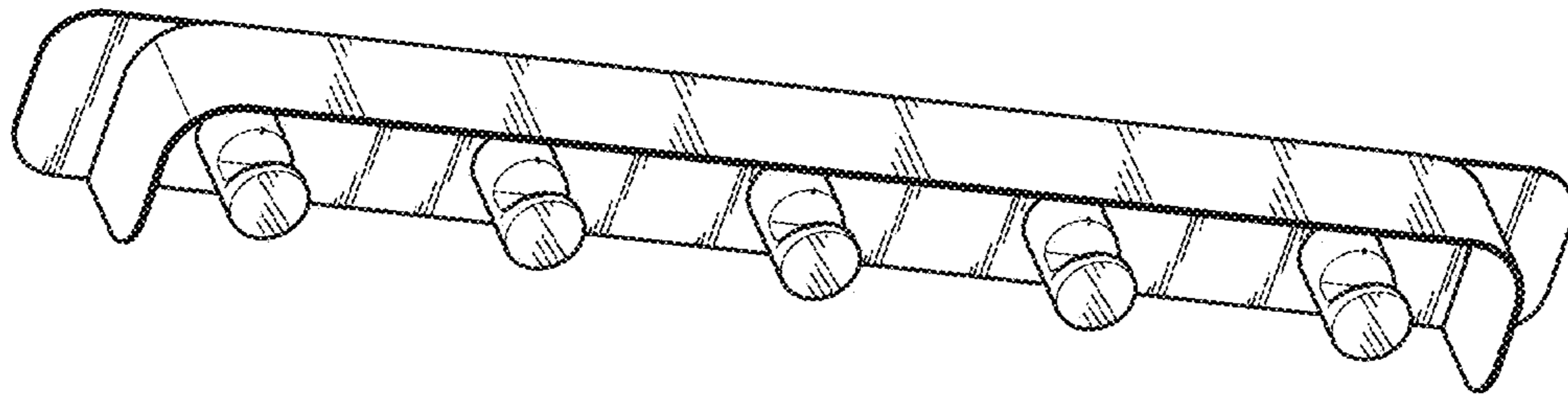


FIG. 1

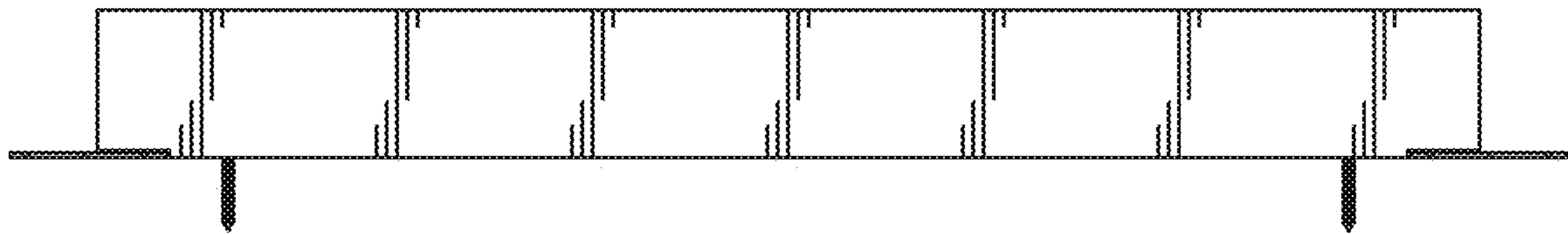


FIG. 2



FIG. 3

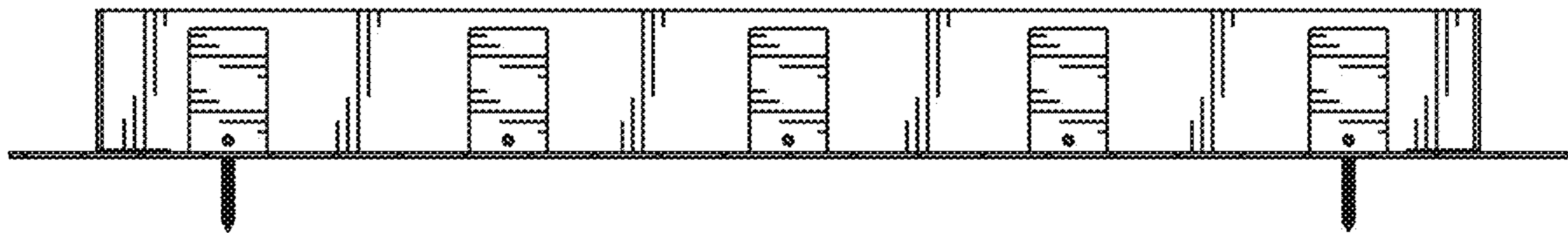


FIG. 4

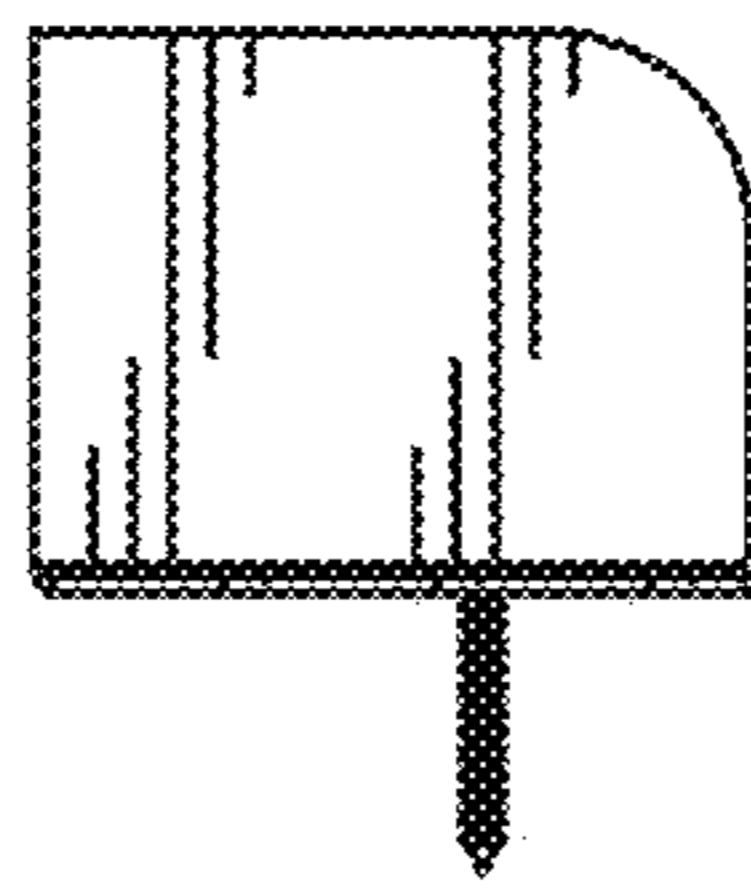


FIG. 5

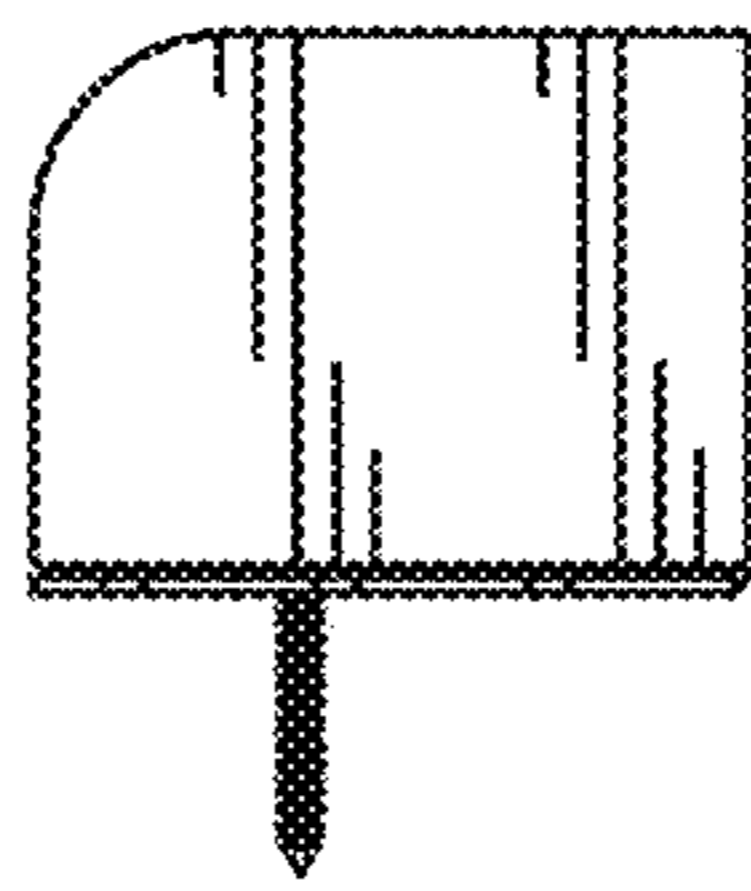


FIG. 6

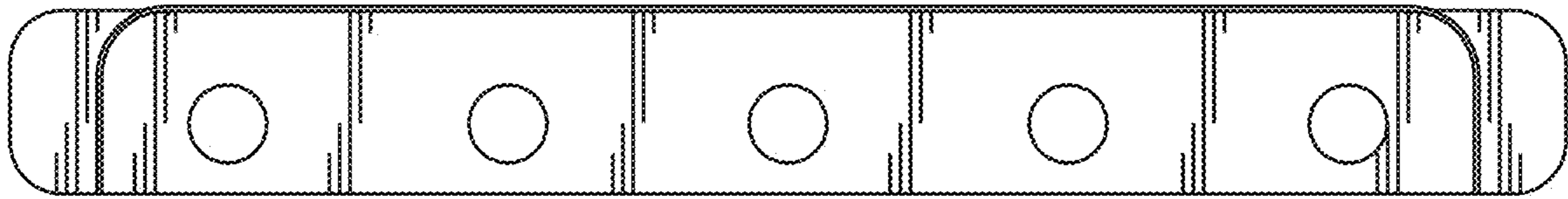


FIG. 7