



US00D965309S

(12) **United States Design Patent** (10) **Patent No.:** **US D965,309 S**
Liu (45) **Date of Patent:** **** Oct. 4, 2022**

(54) **HAT RACK**

(71) Applicant: **Liangzhao Liu**, You (CN)

(72) Inventor: **Liangzhao Liu**, You (CN)

(**) Term: **15 Years**

(21) Appl. No.: **29/791,044**

(22) Filed: **Dec. 28, 2021**

(30) **Foreign Application Priority Data**

Sep. 25, 2021 (CN) 202130635617.1

(51) **LOC (13) Cl.** **06-08**

(52) **U.S. Cl.**
USPC **D6/315; D6/320**

(58) **Field of Classification Search**
USPC D6/315, 317-320, 323, 326, 328, 553,
D6/672; D8/367, 372, 373, 380
CPC A47G 1/00; A47G 25/00; A47G 25/06;
A47G 25/10; A47G 25/28; A47G 25/30;
A47G 25/32; A47G 25/68; A47F 7/06
See application file for complete search history.

(56) **References Cited**

U.S. PATENT DOCUMENTS

D139,262 S * 10/1944 Mallins D6/320
D177,713 S * 5/1956 Bracken D6/683
5,086,931 A * 2/1992 Cobb A47F 7/06
211/32
5,244,102 A * 9/1993 Koenig A47G 25/10
211/32
5,344,003 A * 9/1994 Park A47F 7/06
211/32
5,480,073 A * 1/1996 LaManna A47F 7/06
211/32
5,683,002 A * 11/1997 Rayside A47G 25/10
211/115
D392,806 S * 3/1998 Lee D6/320
D416,421 S * 11/1999 Hampshire D3/304

D419,352 S * 1/2000 Hampshire D3/304
6,273,274 B1 * 8/2001 Lyles A47F 7/06
211/32
D486,185 S * 2/2004 Sheldon D19/86
D502,010 S * 2/2005 Starr D6/323
7,147,112 B2 * 12/2006 Penson A47F 7/06
211/85.3
D568,619 S 5/2008 Worrell
7,665,616 B1 * 2/2010 Hobbie A47F 7/06
211/31
D627,570 S 11/2010 Simmons
D785,346 S 5/2017 Boyle et al.
D904,770 S * 12/2020 Murray D6/315
(Continued)

OTHER PUBLICATIONS

Dome Dock Ball Cap Rack, shown on clad.com, video review dated Mar. 11, 2021, site visited Jul. 29, 2022, URL:https://www.clad.com/domedock-ball-cap-rack/ (Year: 2021).*
(Continued)

Primary Examiner — Mary Ann Calabrese
Assistant Examiner — Mark David Wolfley
(74) *Attorney, Agent, or Firm* — Zhihua Han

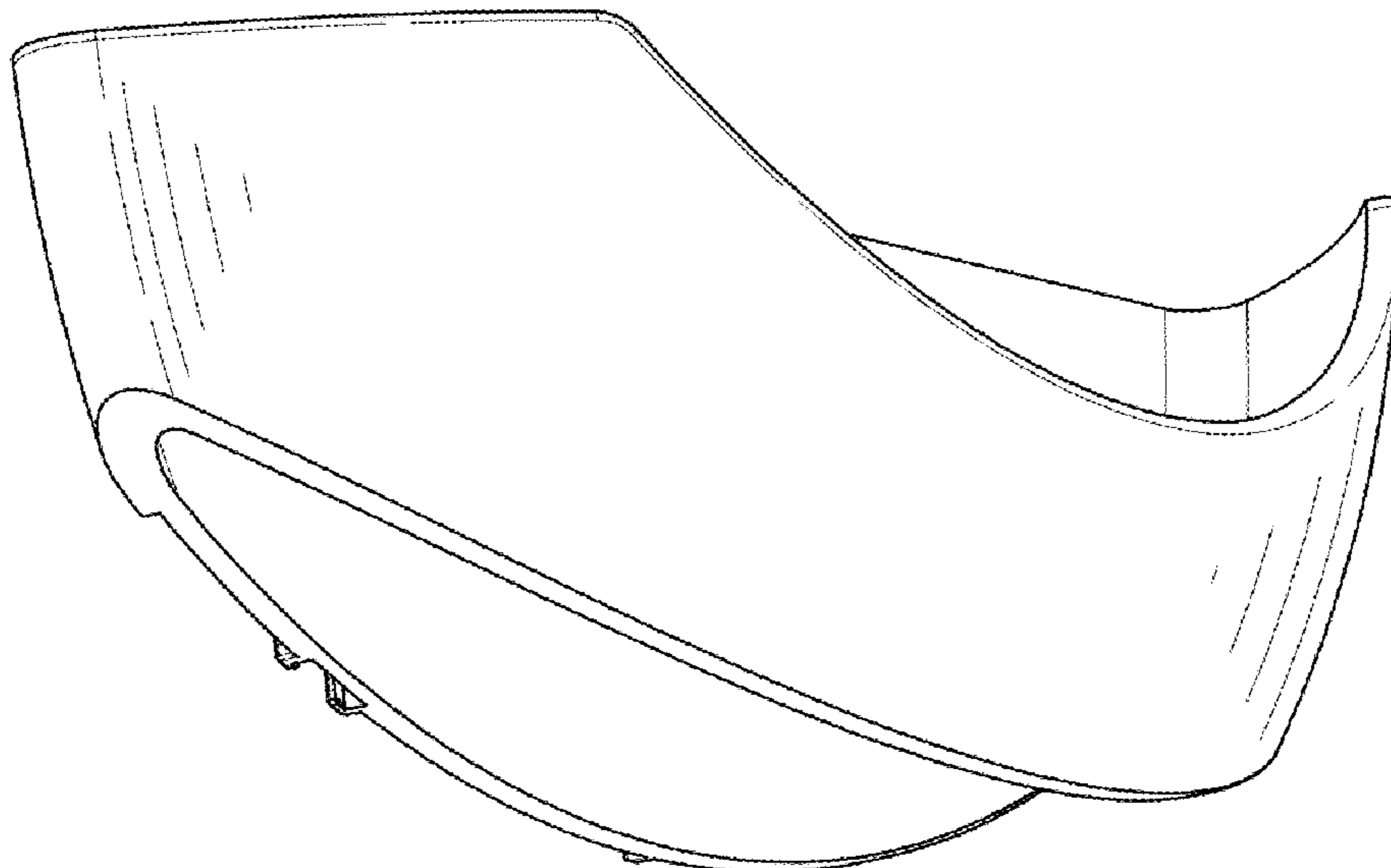
(57) **CLAIM**

The ornamental design for a hat rack, as shown and described.

DESCRIPTION

FIG. 1 is a first perspective view of a hat rack showing my new design;
FIG. 2 is a second perspective view thereof;
FIG. 3 is a front view thereof;
FIG. 4 is a back view thereof;
FIG. 5 is a left side view thereof;
FIG. 6 is a right side view thereof;
FIG. 7 is a top view thereof; and,
FIG. 8 is a bottom view thereof.

1 Claim, 8 Drawing Sheets



(56)

References Cited

U.S. PATENT DOCUMENTS

10,939,714 B2 * 3/2021 Giles A47F 7/06
D917,183 S * 4/2021 Murray D6/315
2006/0124563 A1 * 6/2006 Penson A47G 25/10
211/113
2020/0163395 A1 * 5/2020 Giles A42B 1/002
2021/0321806 A1 * 10/2021 Giles A47G 29/10

OTHER PUBLICATIONS

The original dome dock, available in amazon.com, first available Oct. 31, 2020, site visited Jul. 29, 2022, URL:https://www.amazon.com/DomeDock-Storage-Compact-Organization-System/dp/B08MBBSYMR?ref=ast_sto_dp&th=1 (Year: 2020).*

Dome dock review, announced on YouTube on Jun. 4, 2021, site visited on Jul. 29, 2022, URL:<https://www.youtube.com/watch?v=UwGQcV758k4> (Year: 2021).*

* cited by examiner

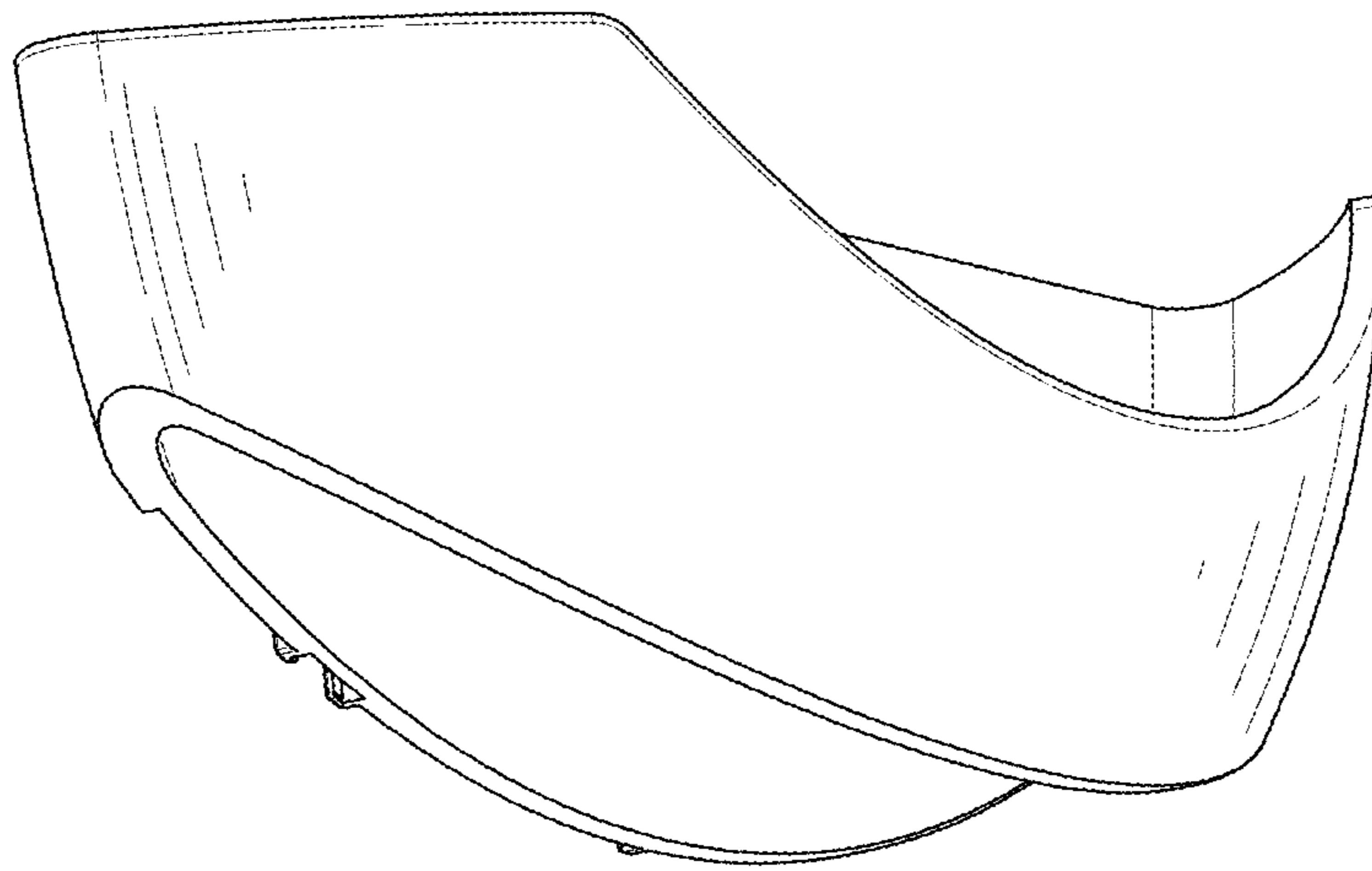


FIG. 1

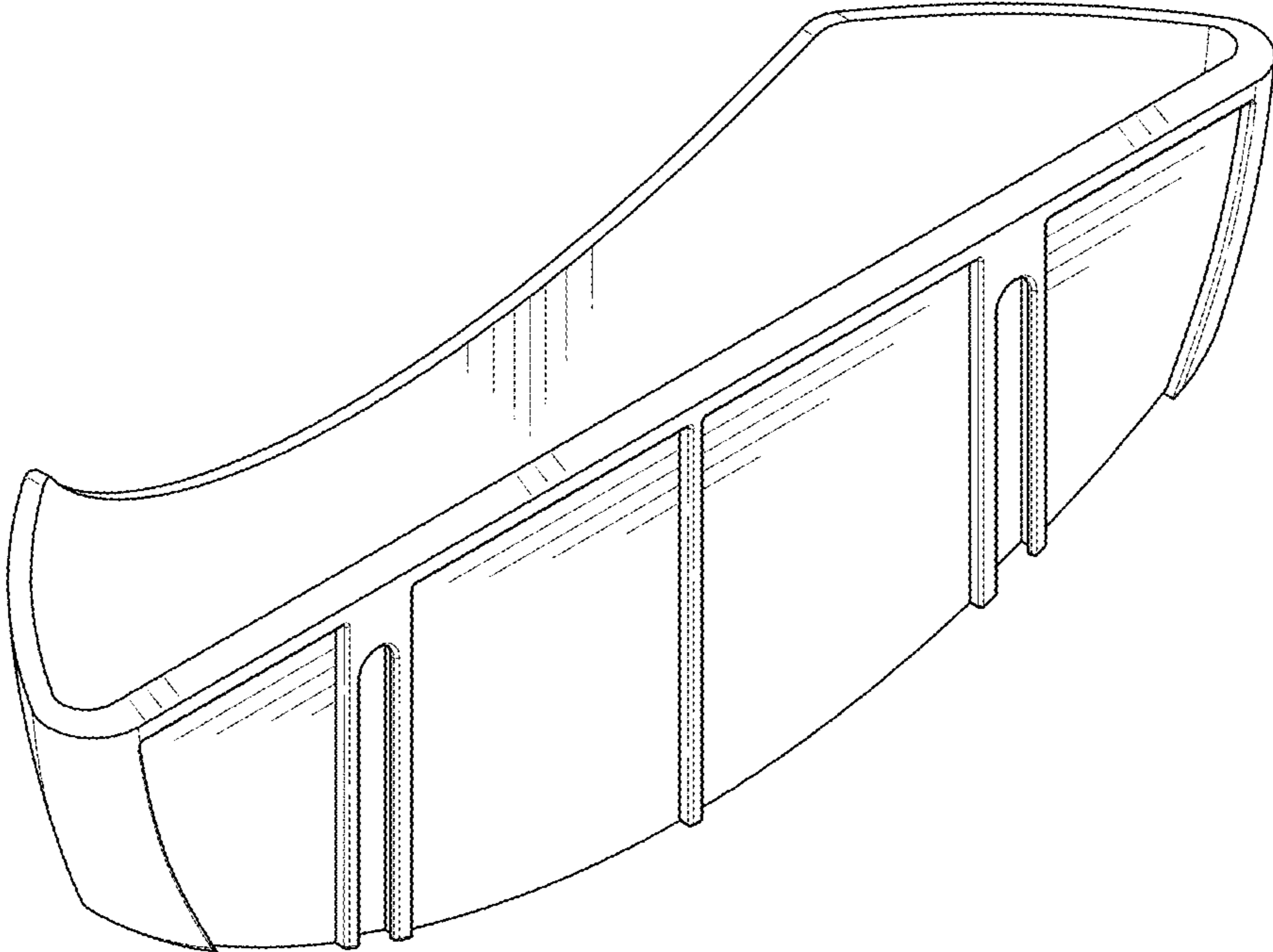


FIG. 2

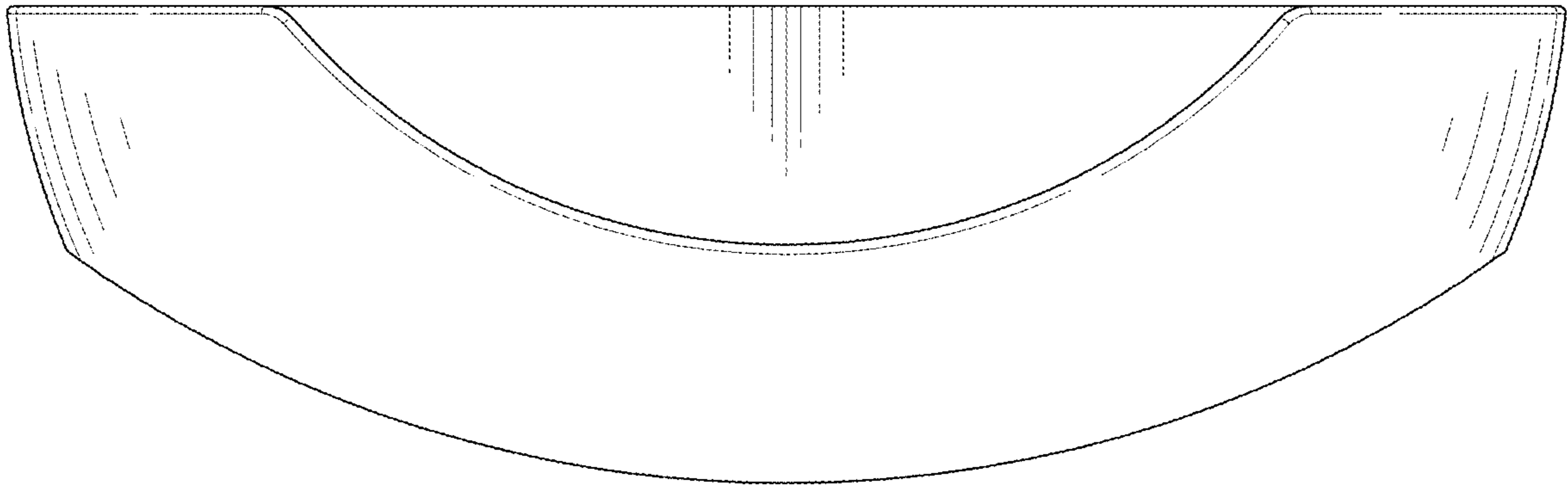


FIG. 3

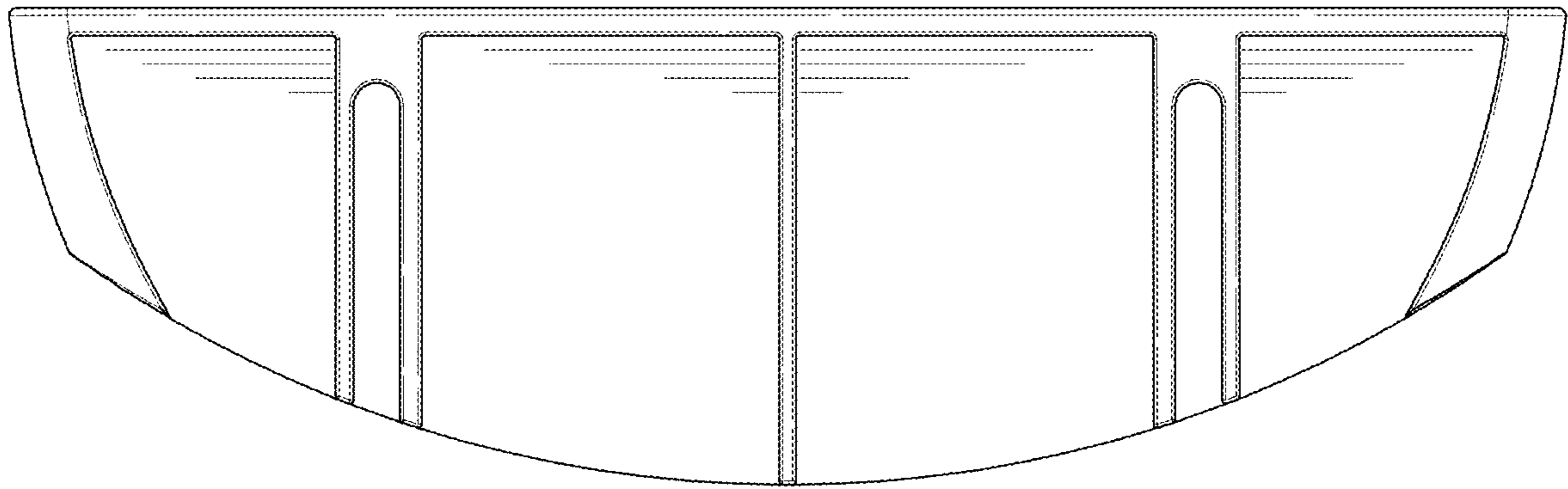


FIG. 4

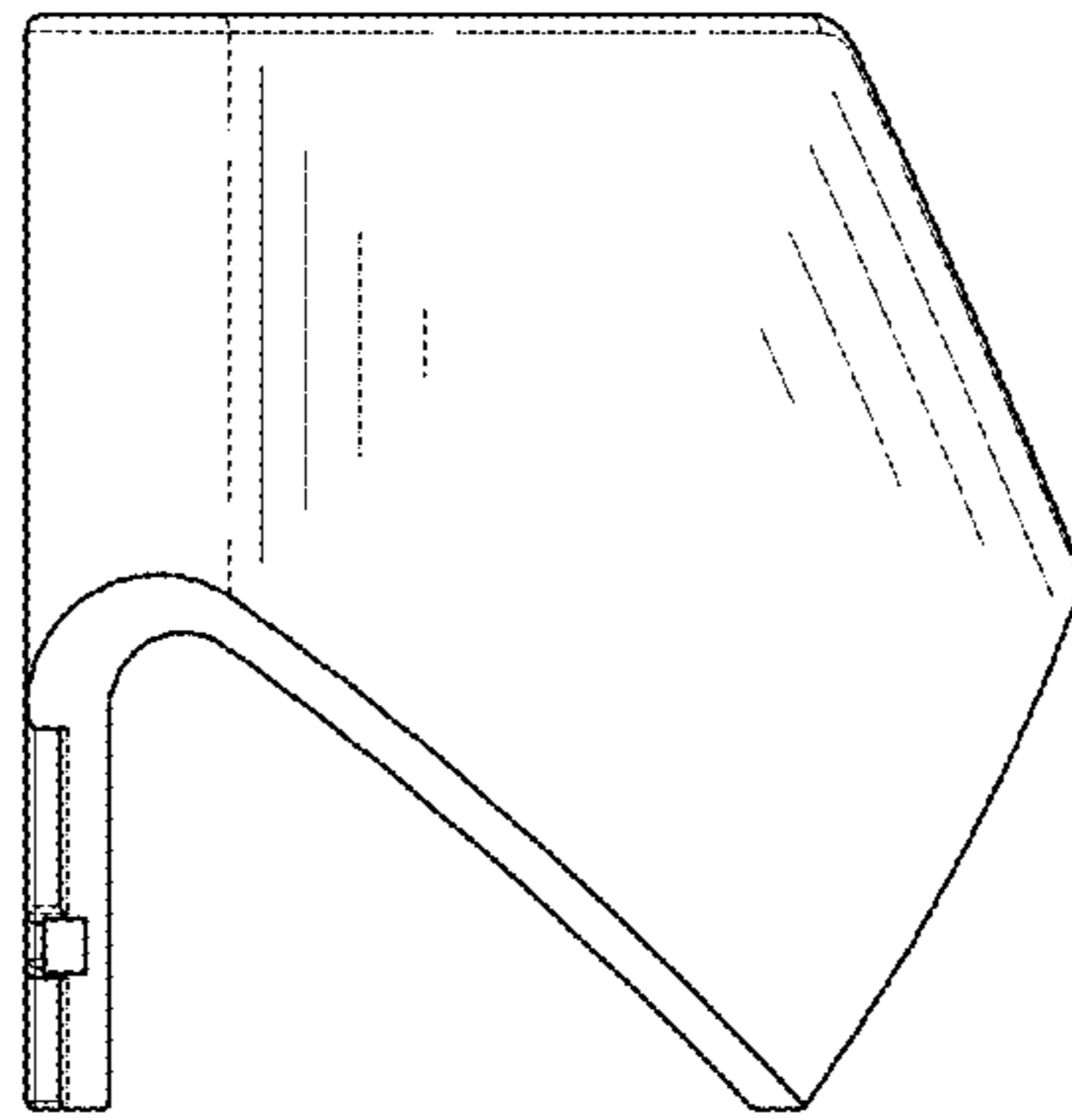


FIG. 5

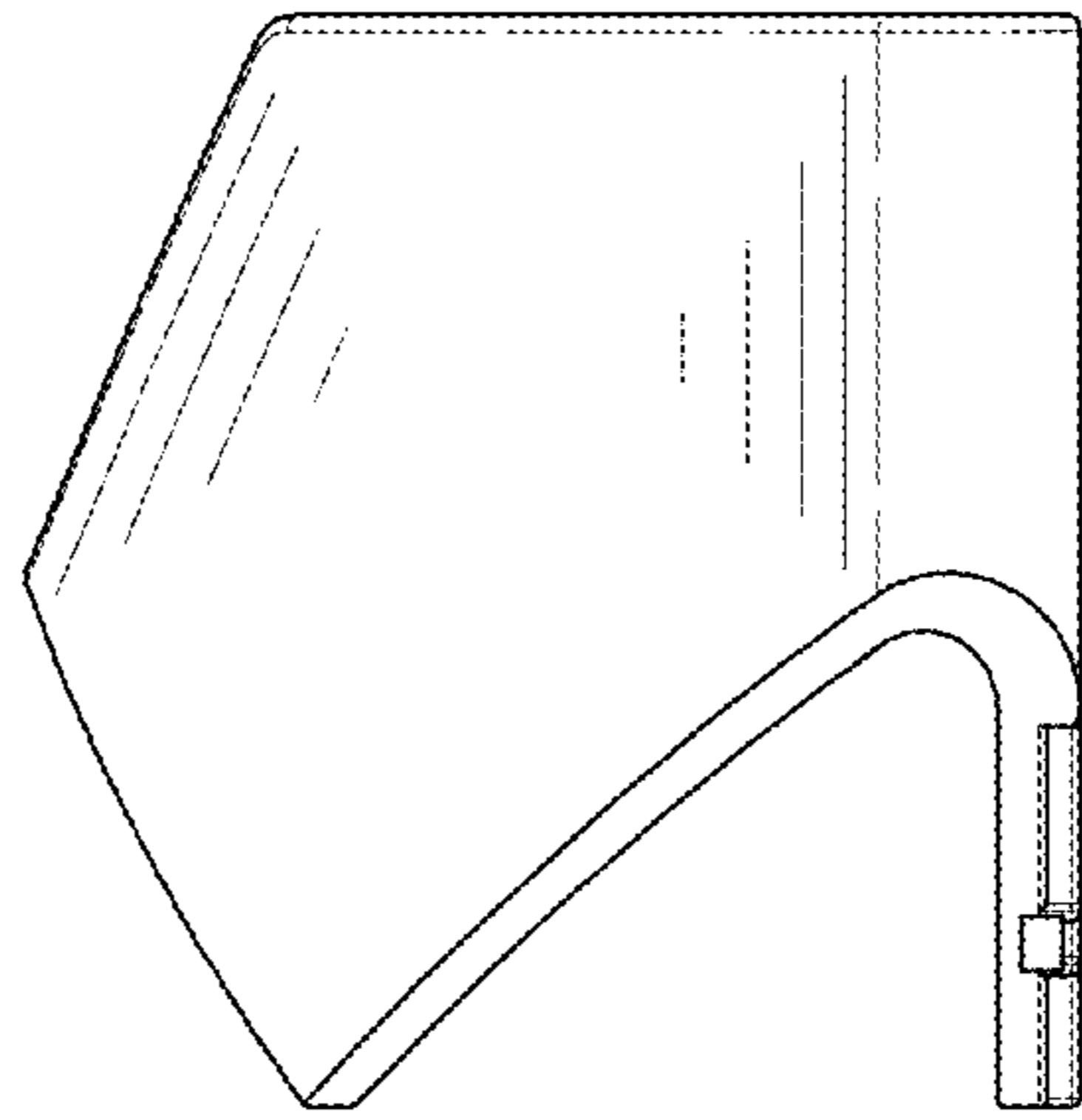


FIG. 6

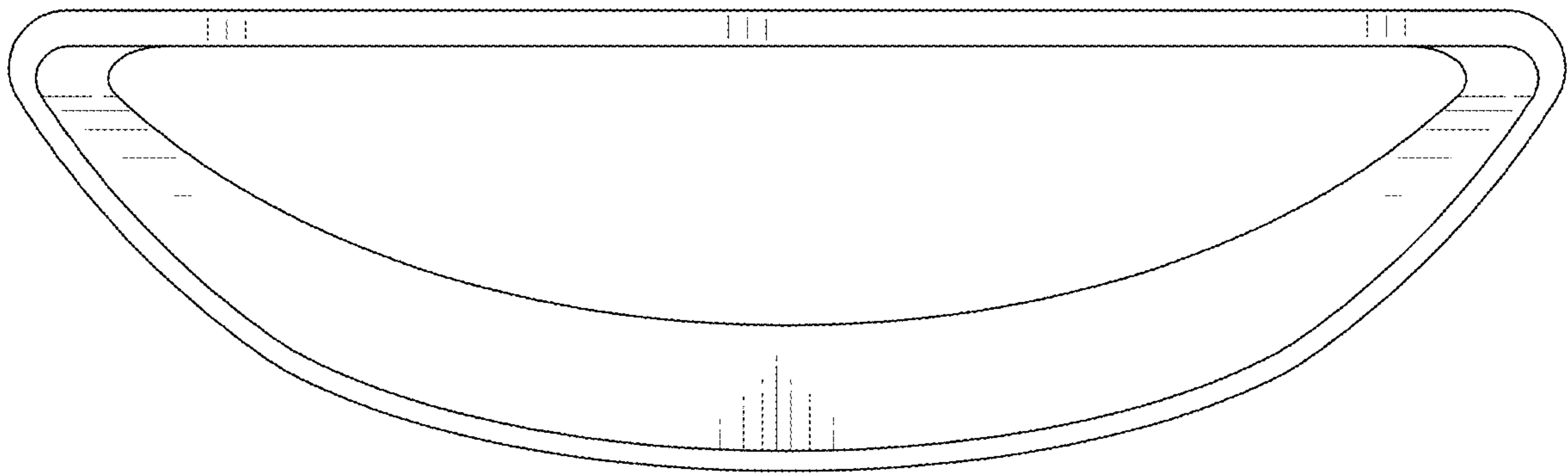


FIG. 7

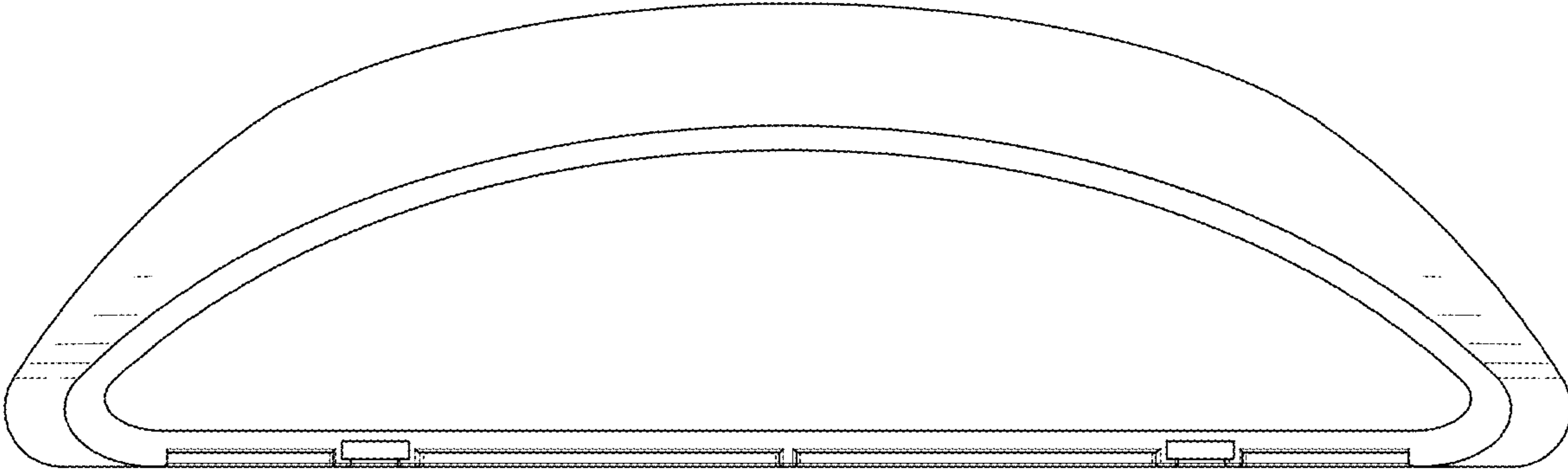


FIG. 8