



US00D965302S

(12) **United States Design Patent**
Peng

(10) **Patent No.: US D965,302 S**

(45) **Date of Patent: ** Oct. 4, 2022**

(54) **ELECTRIC TOOTHBRUSH**

OTHER PUBLICATIONS

(71) Applicant: **Wenzhou Charmhome Electronic Technology Co., Ltd., Wenzhou (CN)**

40000 Stroke tooth irrigator . . . sonic electric toothbrush by Wenzhou Charmhome [on-line]. [Original publication date unknown.] [Retrieved from the Internet Aug. 13, 2022.] URL: <https://www.alibaba.com/product-detail/40000-Stroke-tooth-irrigator-electric-battery_1600592519521.html?spm=a2700.shop_plser.41413.30.2a93173eodfgMg#> (See p. 14) (Year: 2022).*

(72) Inventor: **Congsun Peng, Ruian (CN)**

(**) Term: **15 Years**

* cited by examiner

(21) Appl. No.: **29/837,395**

(22) Filed: **May 5, 2022**

Primary Examiner — Karen E Eldridge Powers

(51) **LOC (13) Cl. 28-03**

(52) **U.S. Cl.**
USPC **D4/101**

(57) **CLAIM**

(58) **Field of Classification Search**
USPC D4/101, 104, 105, 106, 107, 108, 110,
D4/111, 112, 113

The ornamental design for an electric toothbrush, as shown and described.

CPC A46B 9/04; A46B 2200/1066
See application file for complete search history.

DESCRIPTION

(56) **References Cited**

U.S. PATENT DOCUMENTS

D227,825 S *	7/1973	Runckel	D4/104
D258,240 S *	2/1981	Takada	D4/135
D258,241 S *	2/1981	Takada	D4/135
D887,145 S *	6/2020	Hu	D4/101
D931,615 S *	9/2021	Huang	D4/101
D946,900 S *	3/2022	Yang	D4/101
D948,220 S *	4/2022	Lee	
D955,753 S *	6/2022	Zhou	D4/101

FIG. 1 is a front, top and right side perspective view of an electric toothbrush, showing my new design;
FIG. 2 is a front elevational view thereof;
FIG. 3 is a rear elevational view thereof;
FIG. 4 is a right side elevational view thereof;
FIG. 5 is a left side elevational view thereof;
FIG. 6 is a bottom plan view thereof; and,
FIG. 7 is a top plan view thereof.
The broken lines in the drawings illustrate the portions of the electric toothbrush, which form no part of the claimed design.

FOREIGN PATENT DOCUMENTS

EM 008696751-0001 * 11/2021

1 Claim, 7 Drawing Sheets



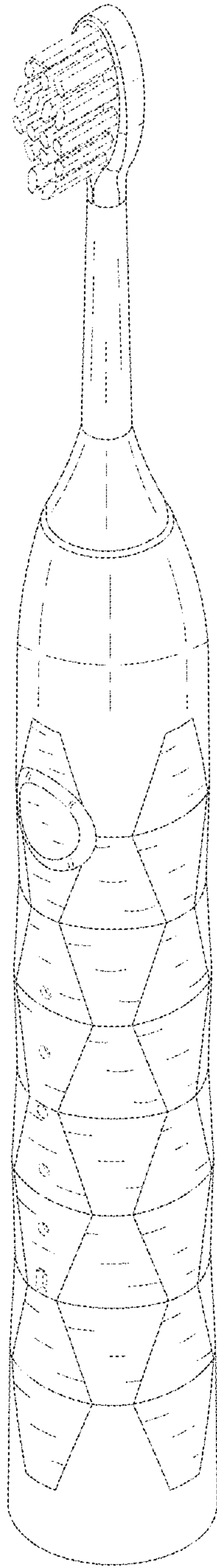


FIG. 1

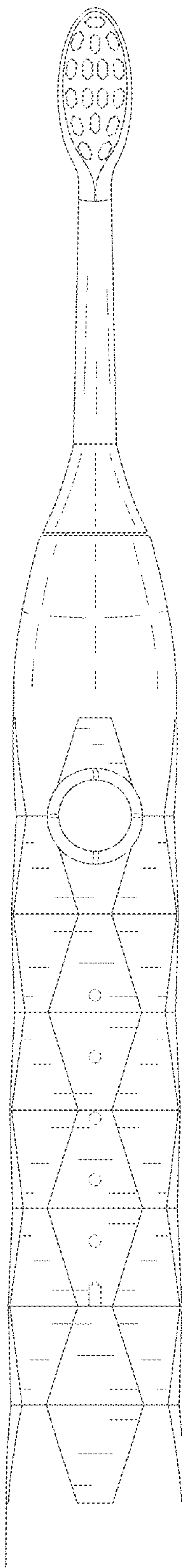


FIG. 2

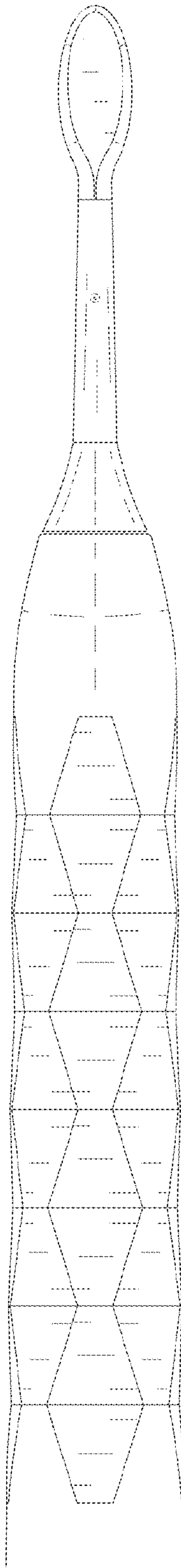


FIG. 3

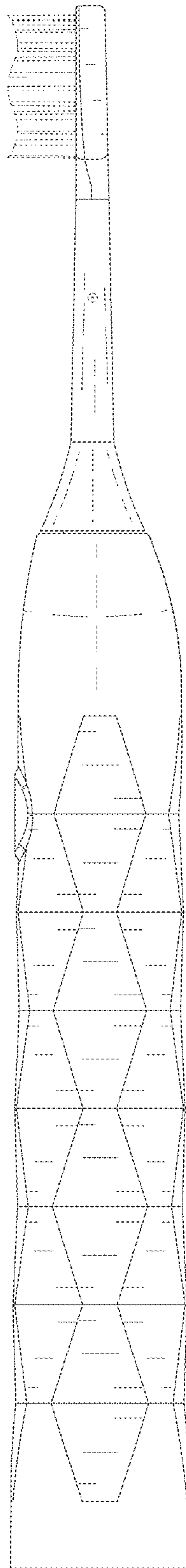


FIG. 4

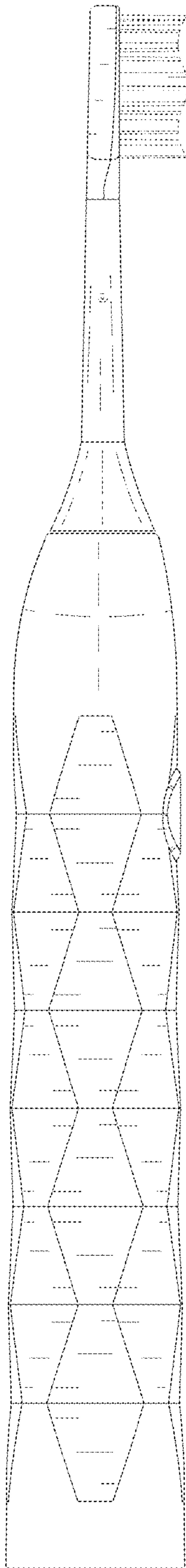


FIG. 5

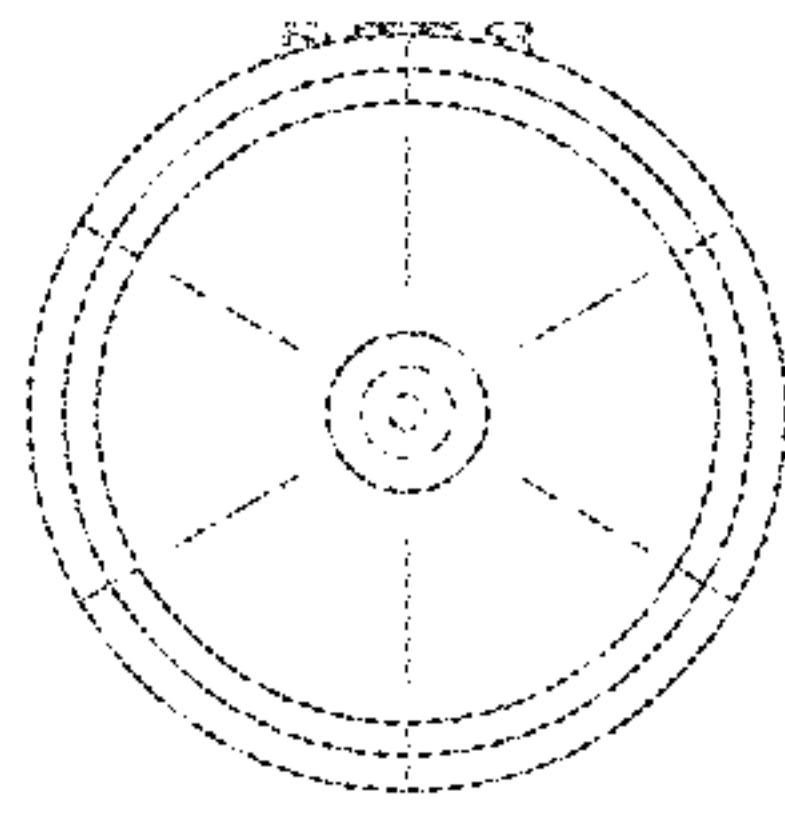


FIG. 6

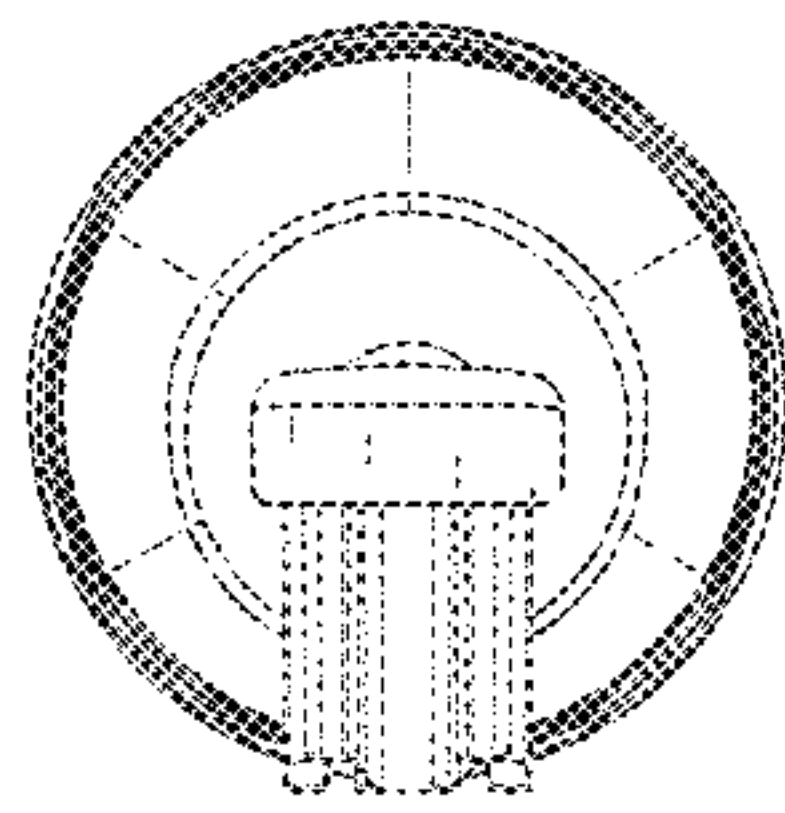


FIG. 7