



US00D965300S

(12) **United States Design Patent**
Won et al.

(10) **Patent No.:** **US D965,300 S**
(45) **Date of Patent:** **** Oct. 4, 2022**

(54) **VANITY CASE**

(71) Applicants: **Mitchell H. Won**, Henderson, NV
(US); **In Kyung Kim**, Henderson, NV
(US)

(72) Inventors: **Mitchell H. Won**, Henderson, NV
(US); **In Kyung Kim**, Henderson, NV
(US)

(**) **Term:** **15 Years**

(21) **Appl. No.:** **29/751,578**

(22) **Filed:** **Sep. 22, 2020**

(51) **LOC (13) Cl.** **03-01**

(52) **U.S. Cl.**
USPC **D3/901**; D14/356

(58) **Field of Classification Search**
USPC D14/172, 194, 204, 210, 221, 300–302,
D14/308–309, 314, 348–349, 350–352,
D14/356, 358, 421, 447; D15/144, 144.1;
D13/108, 147; D3/203.1, 203.6, 205,
D3/272–273, 276, 282, 286, 291,
D3/315–316, 901
CPC H04R 1/02; H04R 1/026; H01M 2220/30
See application file for complete search history.

(56) **References Cited**

U.S. PATENT DOCUMENTS

| | | | | | |
|--------------|---|---------|-------------|-------|----------|
| D210,588 S | * | 3/1968 | Mazza | | D14/308 |
| D233,179 S | * | 10/1974 | Sias | | D3/268 |
| D235,232 S | * | 5/1975 | Rickenbaker | | D3/901 |
| D237,419 S | * | 10/1975 | Lapins | | D3/282 |
| D261,825 S | * | 11/1981 | Benson | | D3/901 |
| D286,596 S | * | 11/1986 | Leo, Sr. | | D6/683.1 |
| D286,619 S | * | 11/1986 | Slacker | | D3/272 |
| D297,783 S | * | 9/1988 | Chaney | | D15/144 |
| 6,489,591 B1 | | 12/2002 | Achtner | | |
| D497,163 S | | 10/2004 | Andre | | |
| D511,163 S | | 11/2005 | Su | | |
| D518,078 S | | 3/2006 | Persson | | |

(Continued)

FOREIGN PATENT DOCUMENTS

| | | | |
|----|----------------|---|---------|
| JP | D1188552 | * | 10/2003 |
| JP | D1188875 | * | 10/2003 |
| WO | WO-D213290-001 | * | 9/2021 |

OTHER PUBLICATIONS

CS01-HS Premium-ITX NAS case, SilverStone Technology, amazon.com, published by SilverStone Technology, first available on Aug. 20, 2015 © 1996-2022 Amazon.com, Inc., online, site visited Feb. 16, 2022. URL: <https://www.amazon.com/SilverStone-Technology-Mini-ITX-Aluminum-CS01B-HS/dp/B0148P099E> (Year: 2015).*

Primary Examiner — Holly E Thurman
Assistant Examiner — Altaira J Swangin

(57) **CLAIM**

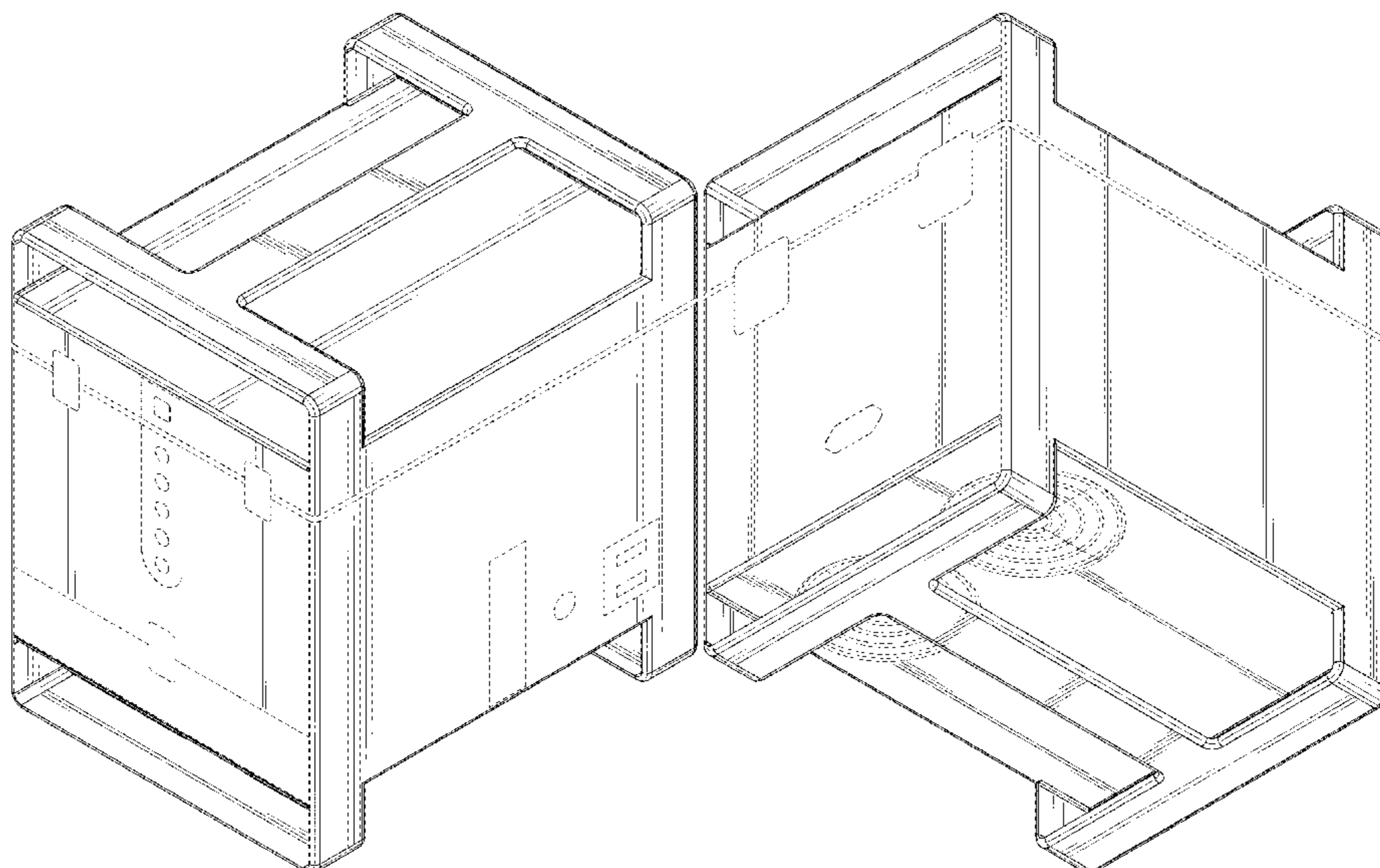
The ornamental design for a vanity case, as shown and described.

DESCRIPTION

FIG. 1 is a top-front-left perspective view of a vanity case showing our new design;
FIG. 2 is a bottom-rear-right perspective view thereof;
FIG. 3 is a front elevational view thereof;
FIG. 4 is a rear elevational view thereof;
FIG. 5 is a left-side elevational view thereof;
FIG. 6 is a right-side elevational view thereof;
FIG. 7 is a top plan view thereof; and,
FIG. 8 is a bottom plan view thereof.

The broken lines, showing the plurality of ventilation apertures and grilles in FIGS. 2 and 8; the latches, drawer, control panel, and buttons in FIGS. 1 and 3; the hinges and power 25 socket in FIGS. 2 and 4; the filter slot, unitary switch, and input ports in FIGS. 1 and 5; and the perimetric band in FIGS. 1 through 8, illustrate portions of the vanity case and form no part of the claimed design.

1 Claim, 8 Drawing Sheets



(56)

References Cited

U.S. PATENT DOCUMENTS

D543,542 S * 5/2007 Ng D14/356
 D543,543 S * 5/2007 Ng D14/356
 D553,571 S * 10/2007 Carpenter D13/147
 D579,877 S * 11/2008 Carpenter D13/147
 D579,878 S * 11/2008 Carpenter D13/147
 D657,037 S * 4/2012 Lo D23/364
 D668,656 S * 10/2012 Hoskinson D14/421
 D694,229 S * 11/2013 Wolf D14/371
 D694,230 S * 11/2013 Wolf D14/314
 D729,728 S * 5/2015 Inskeep D13/110
 D744,019 S 11/2015 Evans
 9,179,752 B2 11/2015 Kim
 D752,827 S * 3/2016 Colayco D32/1
 D758,302 S * 6/2016 Walker D13/103
 D760,646 S * 7/2016 Walker D13/103
 D771,561 S * 11/2016 Walker D13/103
 D772,808 S * 11/2016 Walker D13/103
 D772,809 S * 11/2016 Walker D13/103
 D775,122 S * 12/2016 Goos D14/313

D784,920 S * 4/2017 Walker D13/103
 D802,168 S * 11/2017 Lee E04C 1/00
 D25/119
 D804,001 S * 11/2017 Cartwright D23/355
 D806,696 S * 1/2018 Goos D14/301
 D811,456 S 2/2018 Dekker
 9,915,393 B2 * 3/2018 Grove F16M 13/00
 D832,274 S * 10/2018 Wengreen D14/447
 D836,146 S * 12/2018 Lin D15/144
 D853,457 S 7/2019 Lin
 D862,545 S 10/2019 Lin
 D872,470 S * 1/2020 Beilman D3/901
 D886,047 S * 6/2020 Hung D13/103
 D914,071 S * 3/2021 Dekker D15/144
 D914,679 S * 3/2021 Tsai D14/328
 D930,571 S * 9/2021 Zhong D13/102
 D934,797 S * 11/2021 Su D13/103
 D939,470 S * 12/2021 Endo D14/210
 D948,434 S * 4/2022 Chen D13/110
 D952,006 S * 5/2022 Li D15/81
 D955,334 S * 6/2022 Hansen D13/110
 D956,829 S * 7/2022 Li D15/79

* cited by examiner

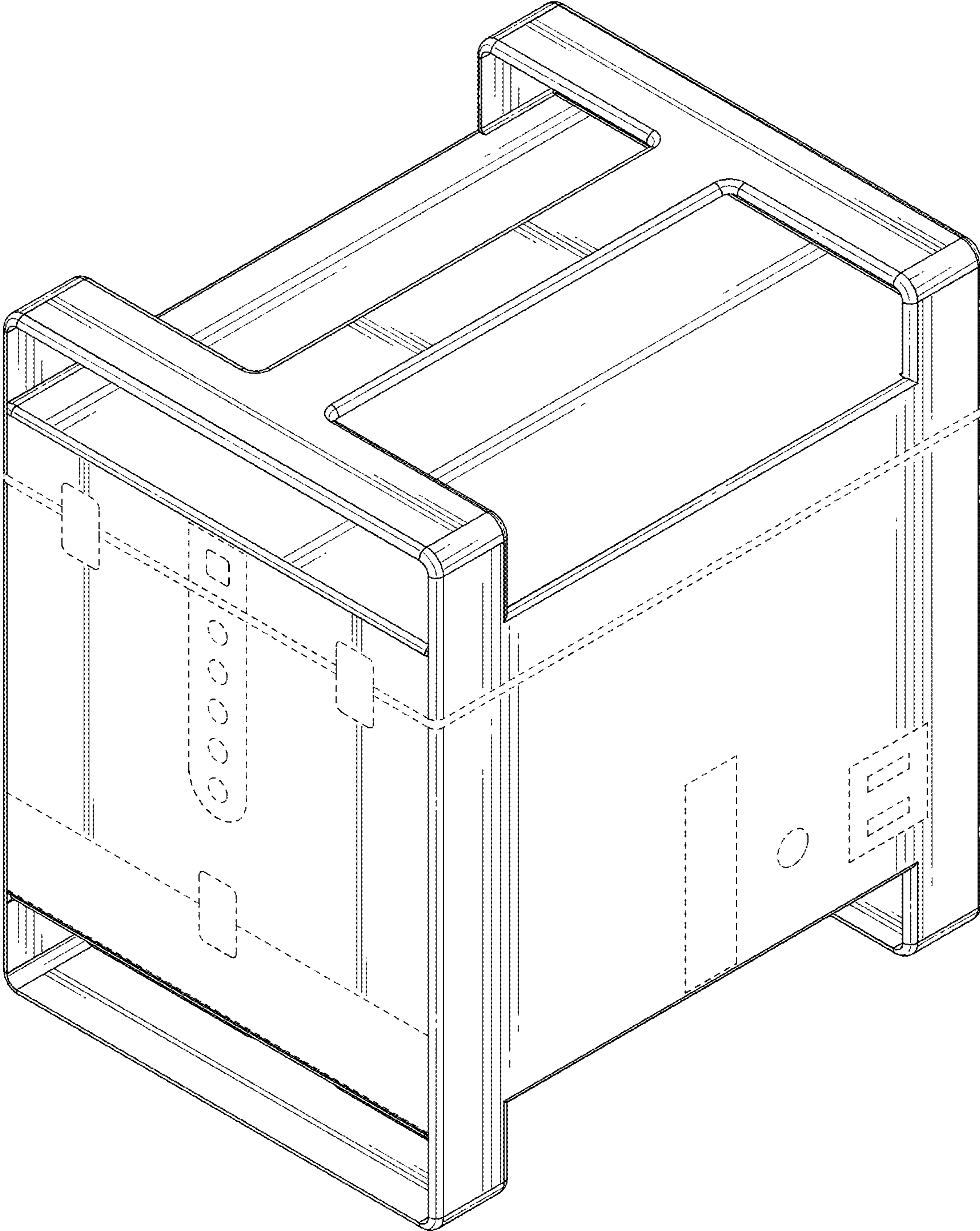


FIG. 1

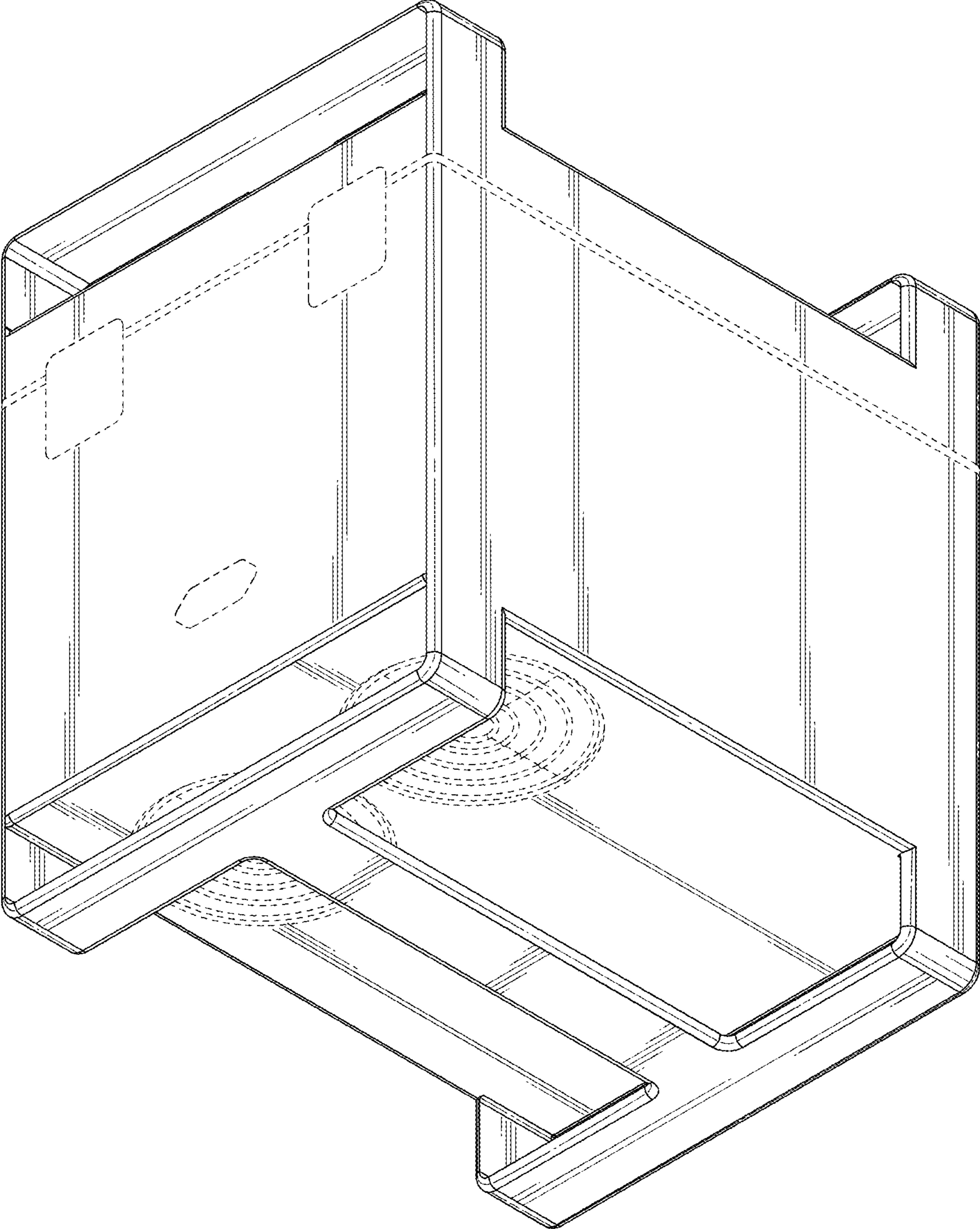


FIG. 2

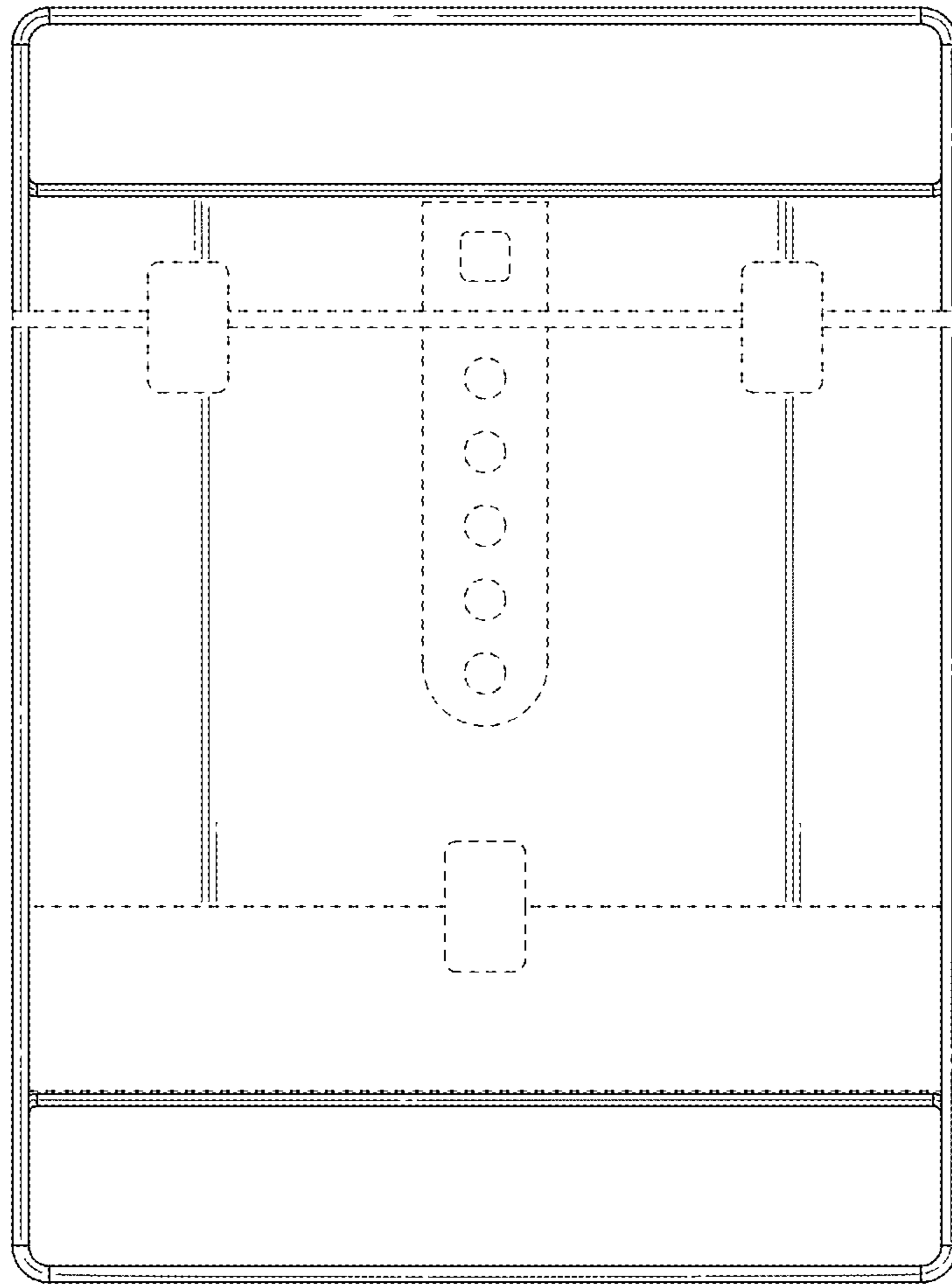


FIG. 3

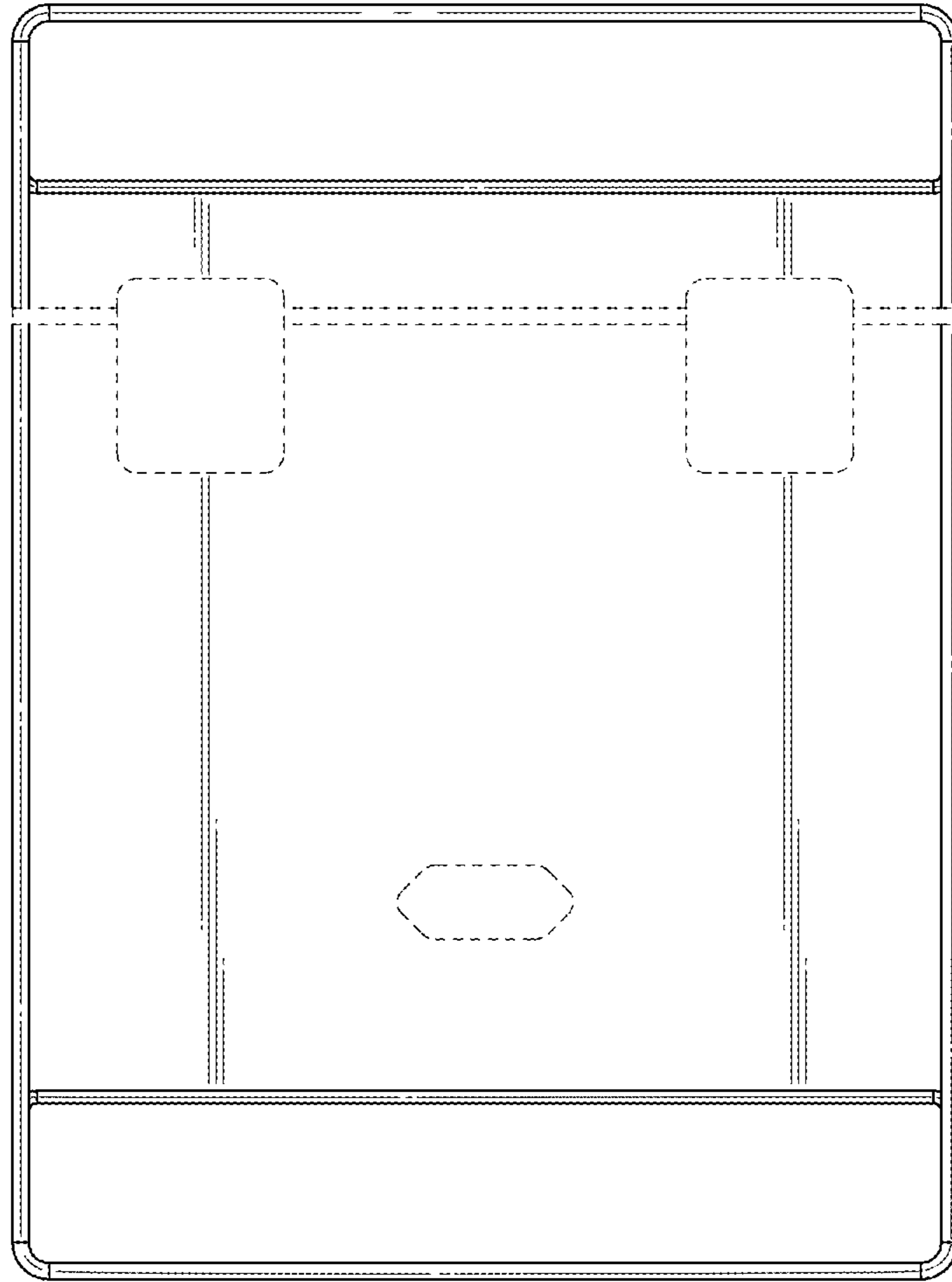


FIG. 4

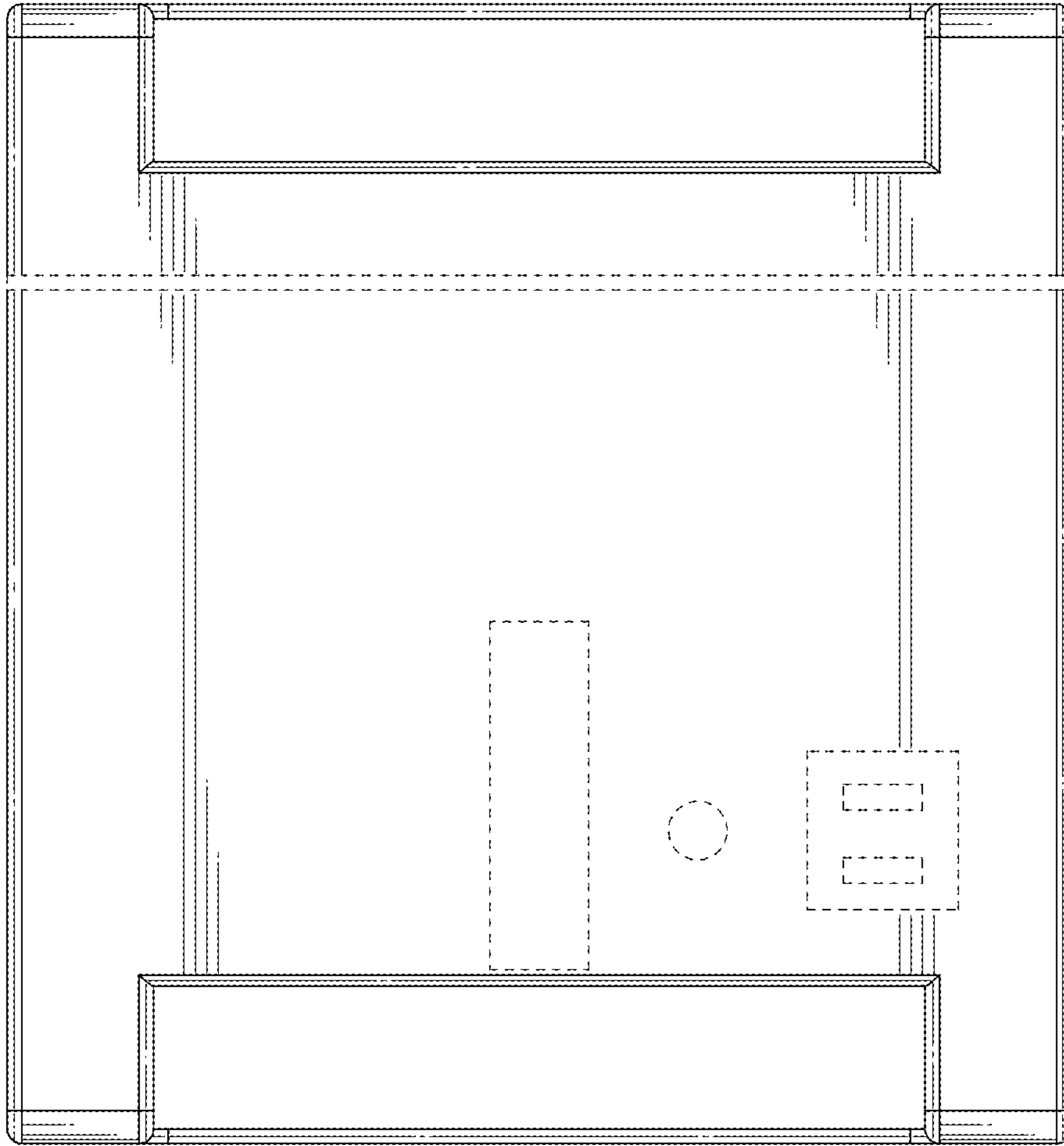


FIG. 5

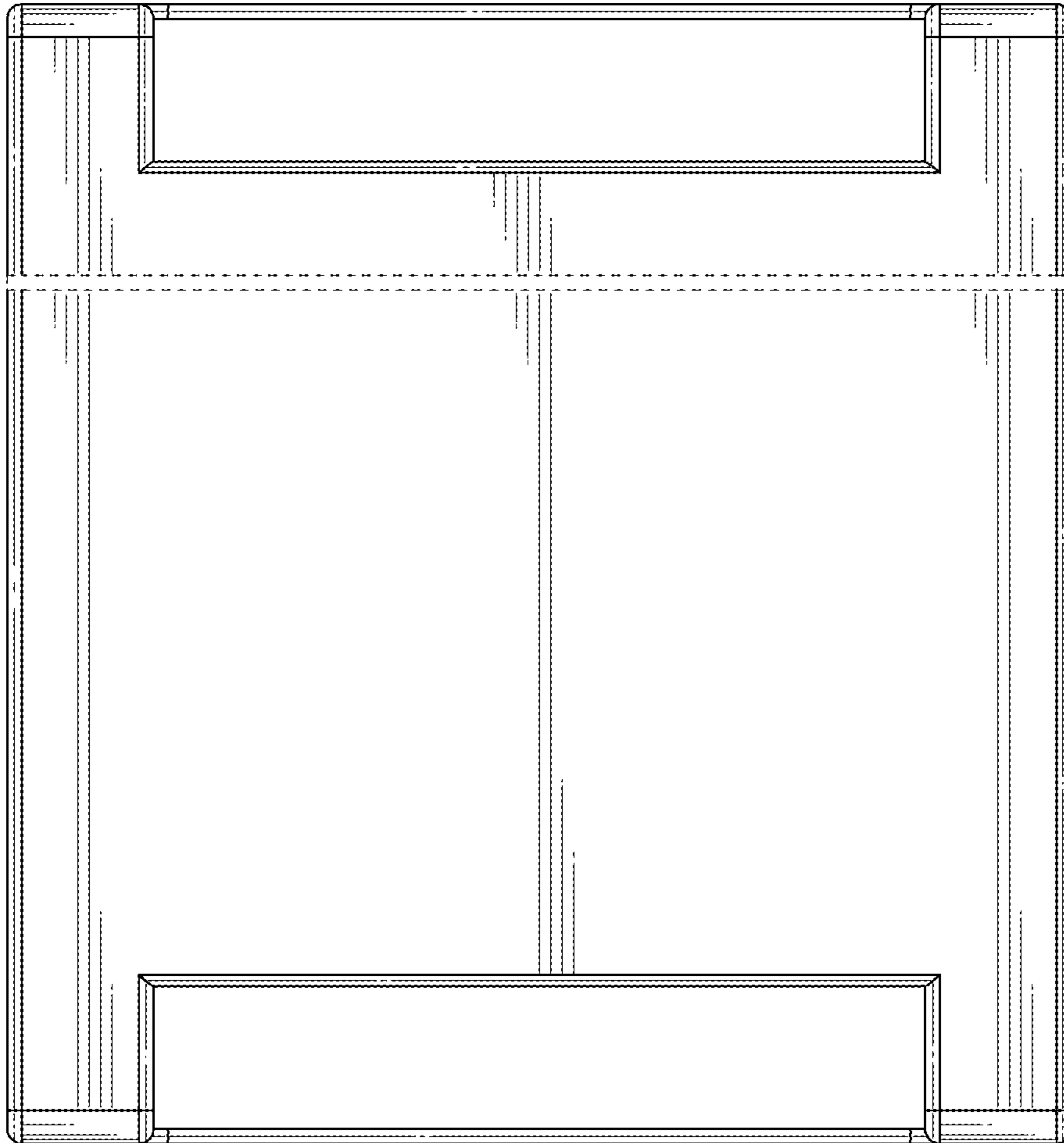


FIG. 6

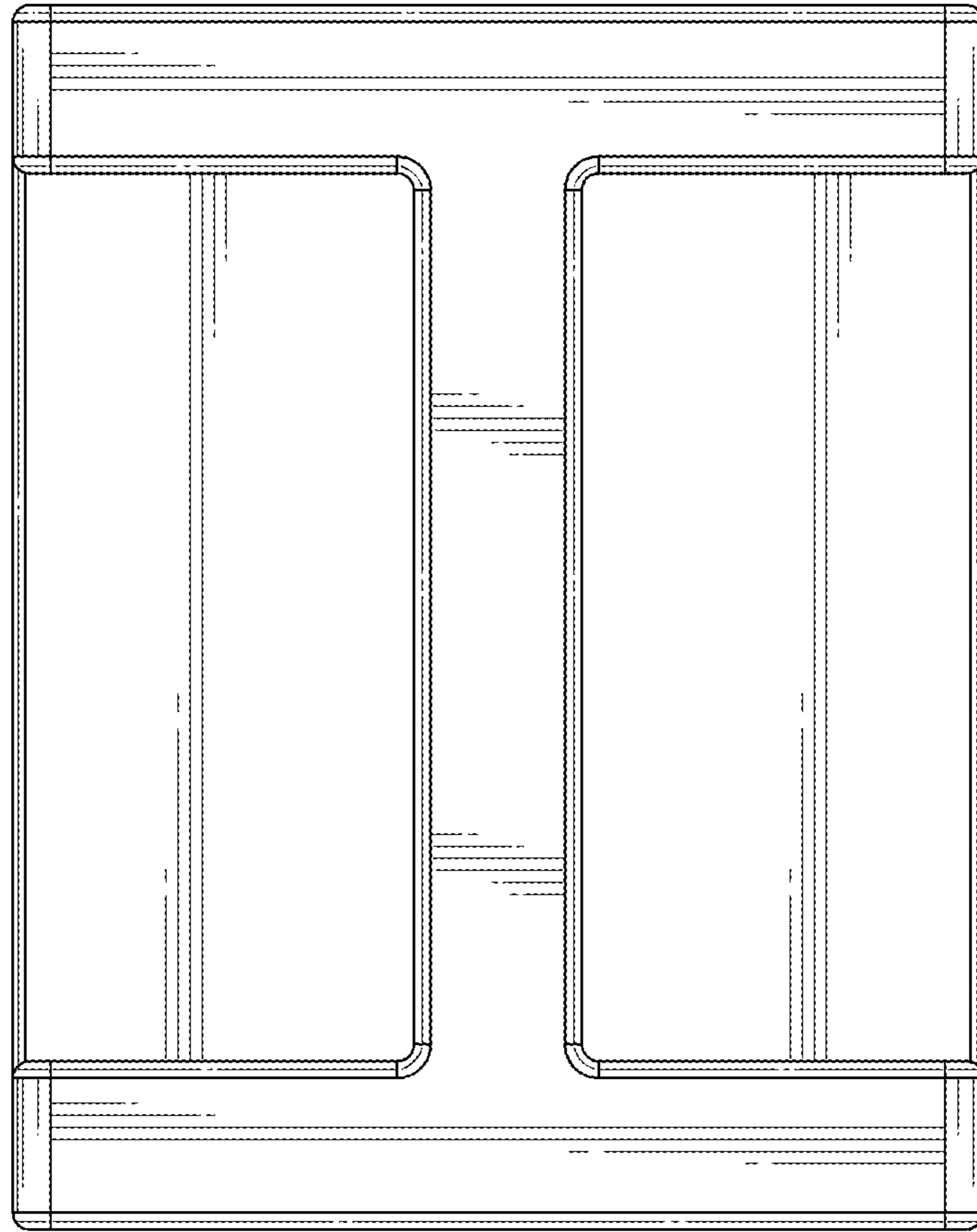


FIG. 7

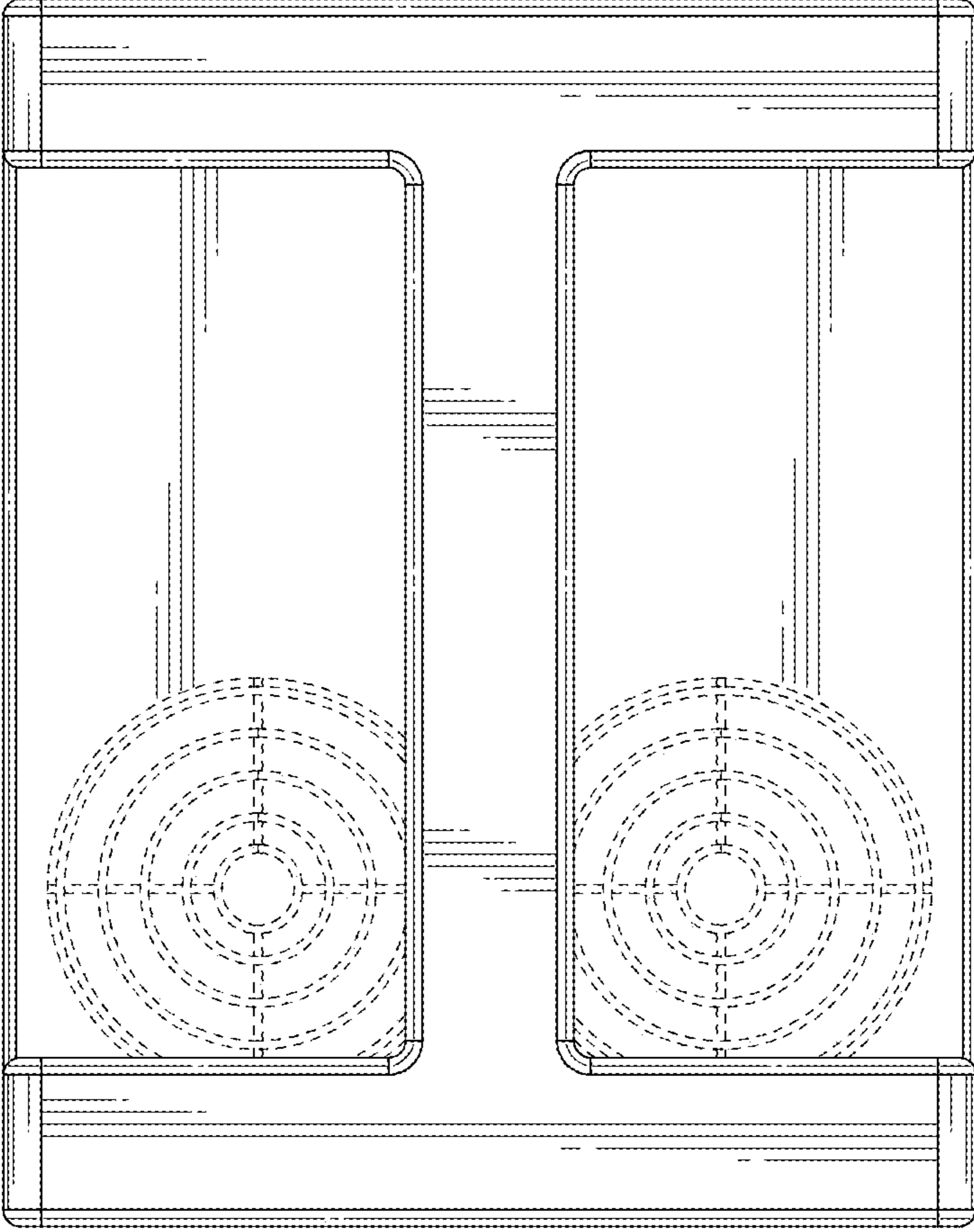


FIG. 8