

US00D965299S

(12) **United States Design Patent**  
**Wei et al.**

(10) **Patent No.:** **US D965,299 S**  
(45) **Date of Patent:** **\*\* Oct. 4, 2022**

- (54) **STORAGE BOX**
- (71) Applicant: **Hsing-Chien Wei**, Taichung (TW)
- (72) Inventors: **Tzu-Chuan Wei**, Taichung (TW);  
**Tzu-Han Wei**, Taichung (TW)
- (73) Assignee: **Wei Hsing-Chien**, Taichung (TW)
- (\*\*) Term: **15 Years**
- (21) Appl. No.: **29/773,367**
- (22) Filed: **Mar. 9, 2021**
- (30) **Foreign Application Priority Data**  
Sep. 10, 2020 (TW) ..... 109305118
- (51) **LOC (13) Cl.** ..... **03-01**
- (52) **U.S. Cl.**  
USPC ..... **D3/313**
- (58) **Field of Classification Search**  
USPC ..... D3/210, 273, 274, 307-315; D8/71;  
D19/75; D27/172, 183, 186; D28/9, 73,  
D28/76, 83, 91  
CPC ..... A47G 21/14; A47J 47/16; A47J 47/00;  
B65D 1/00; B65D 1/22; B65D 1/24;  
B65D 1/36; B65D 5/46072; B65D  
71/0003; B65D 71/24; B65D 81/3813  
See application file for complete search history.

- (56) **References Cited**  
U.S. PATENT DOCUMENTS  
D195,116 S \* 4/1963 Race ..... D8/30  
D234,727 S \* 4/1975 Mark ..... D3/273

- D280,675 S \* 9/1985 Feroce ..... D3/273
- 4,557,389 A \* 12/1985 Williams ..... A47J 47/16  
D7/637
- D298,639 S \* 11/1988 Wolff ..... D19/85
- D385,112 S \* 10/1997 Birnbaum ..... D19/78
- D398,449 S \* 9/1998 Hsu ..... D3/313
- D402,855 S \* 12/1998 Zapata ..... D7/637
- D476,172 S \* 6/2003 Bourne, Sr. .... D6/675
- D651,801 S \* 1/2012 Brown ..... D3/304
- D859,394 S \* 9/2019 Skogrand-Khatib ..... D14/253
- D887,712 S \* 6/2020 Stevens ..... D3/313
- 2022/0073235 A1 \* 3/2022 Wei ..... B65D 25/04

\* cited by examiner

*Primary Examiner* — Mary Shannon Malley  
*Assistant Examiner* — Christopher John Suarez La Rosa  
(74) *Attorney, Agent, or Firm* — Apex Juris, pllc; Hilde  
Coeckx

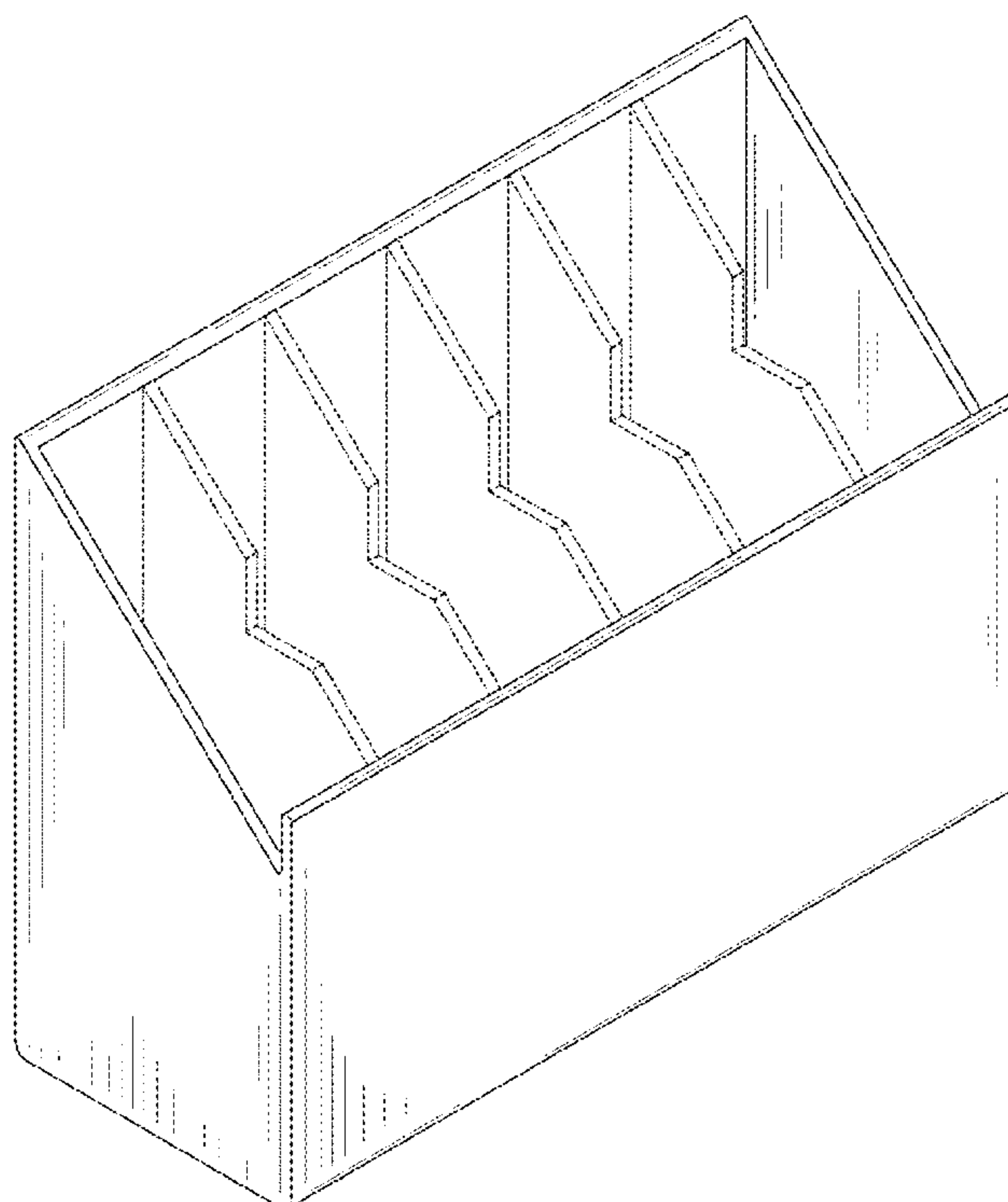
(57) **CLAIM**

The ornamental design for a storage box, as shown and described.

**DESCRIPTION**

FIG. 1 is a perspective view of a storage box;  
FIG. 2 is a front view thereof;  
FIG. 3 is a rear view thereof;  
FIG. 4 is a left side view thereof;  
FIG. 5 is a right side view thereof;  
FIG. 6 is a top view thereof; and,  
FIG. 7 is a bottom view thereof.  
The broken lines depict portions of the storage box that form no part of the claimed design.

**1 Claim, 7 Drawing Sheets**



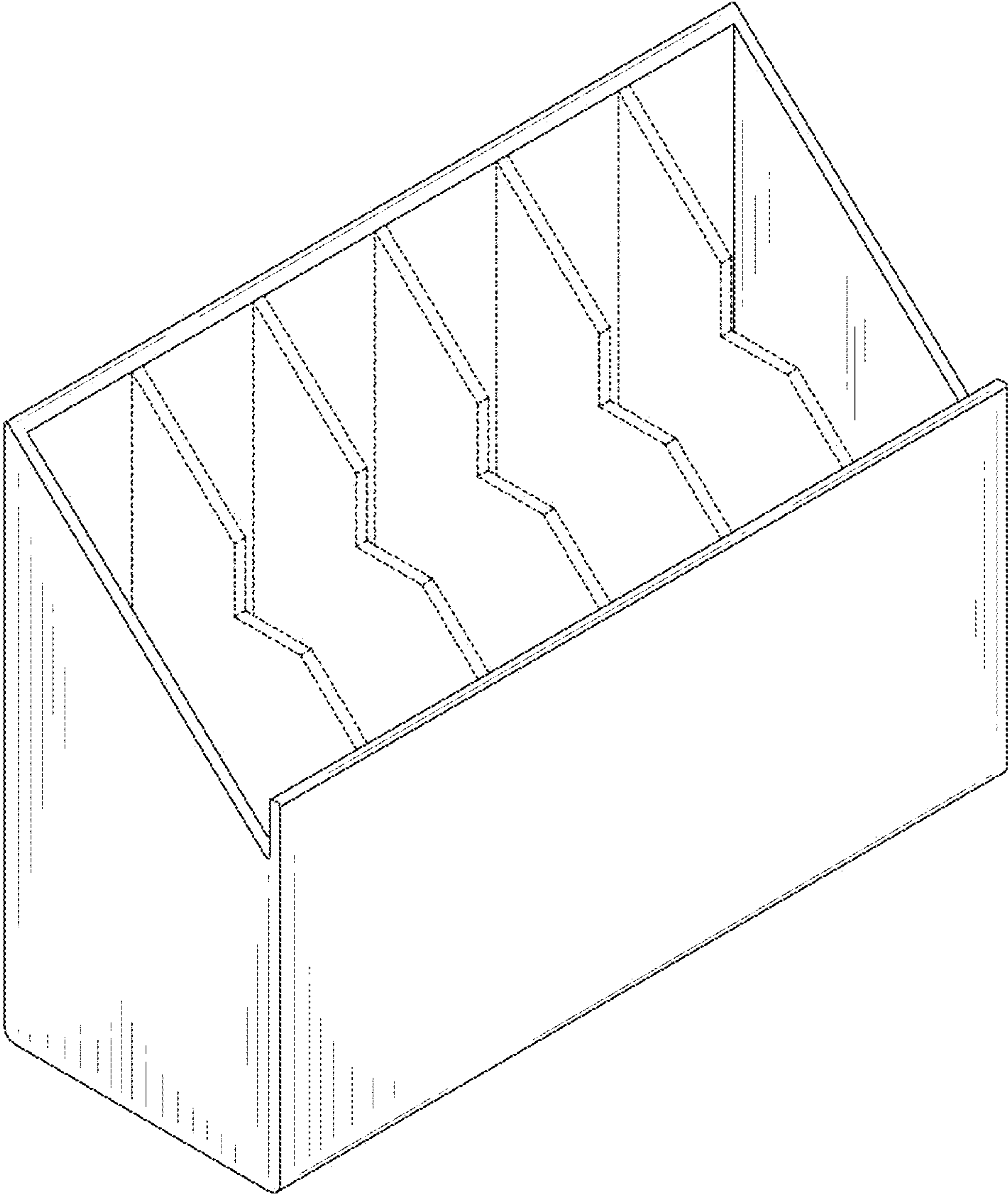


FIG.1

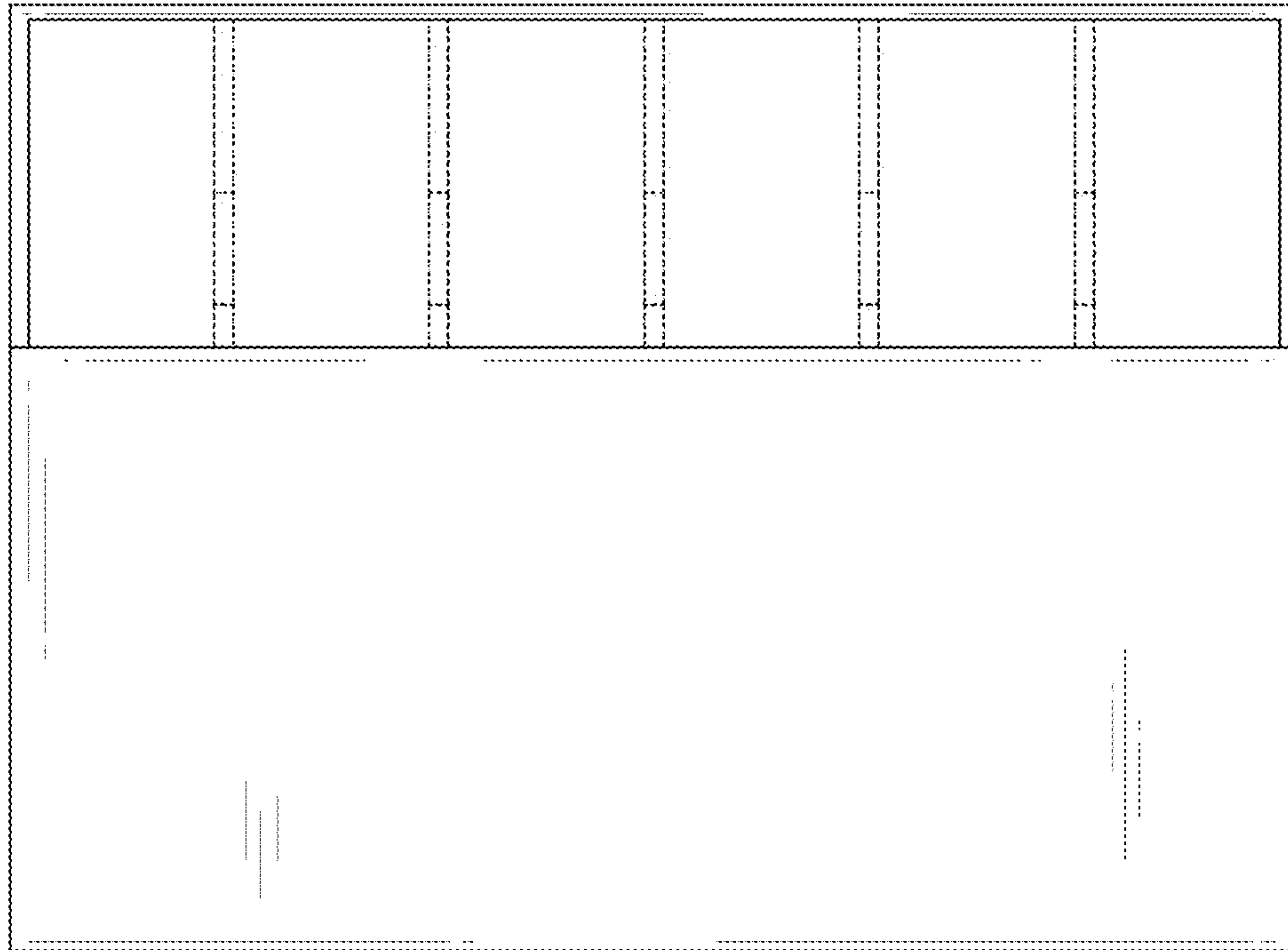


FIG.2

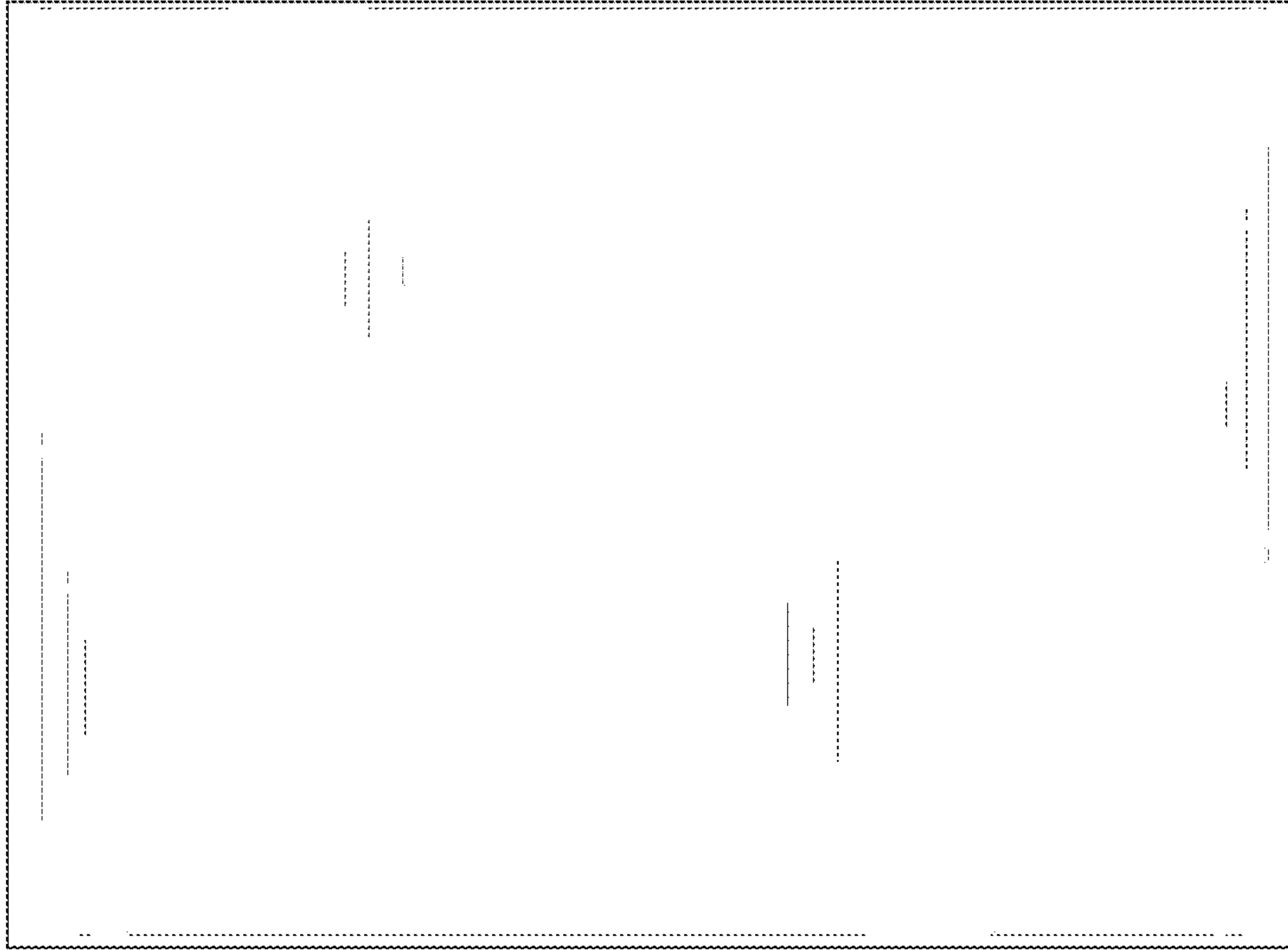


FIG.3

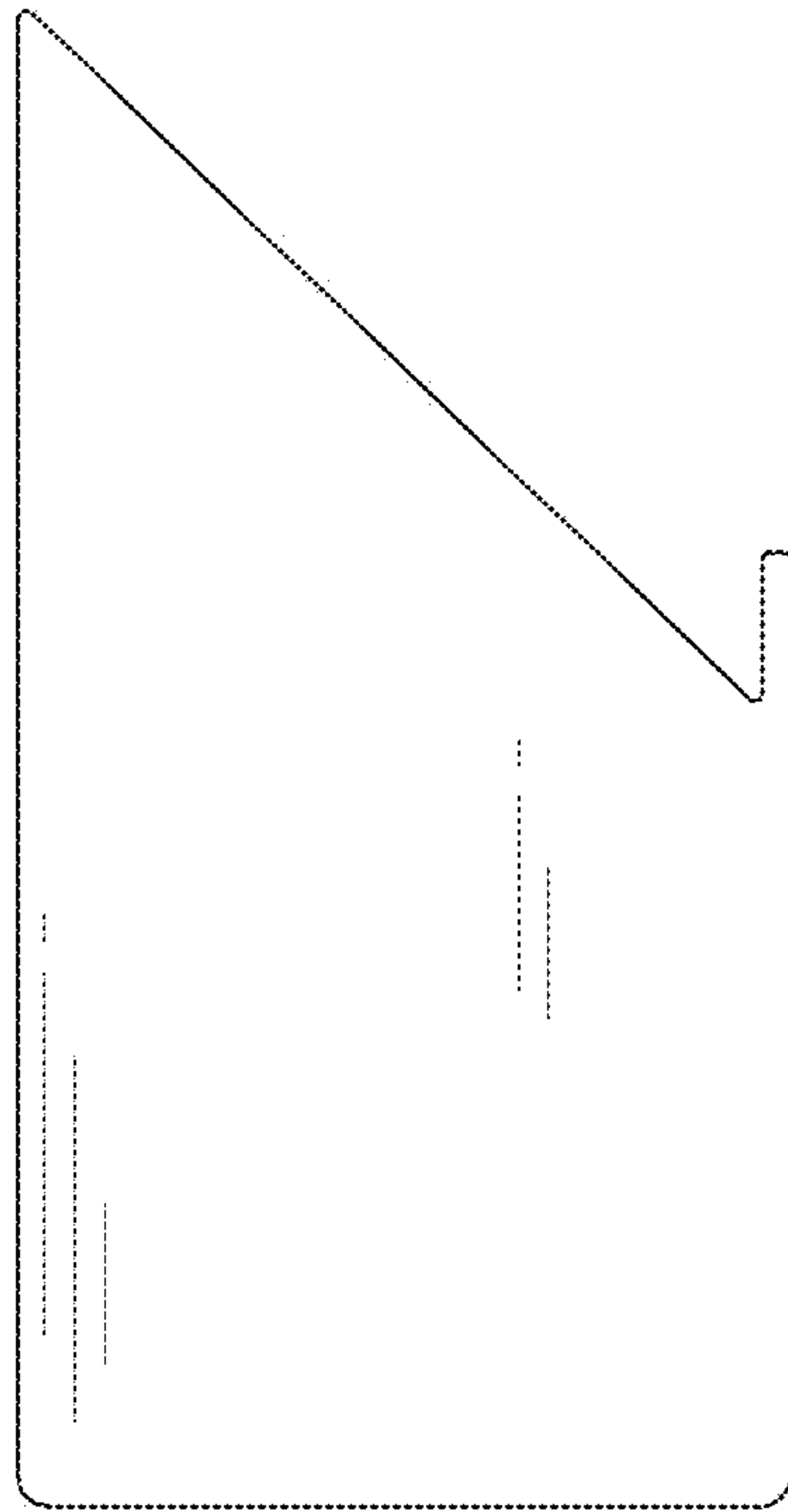


FIG.4

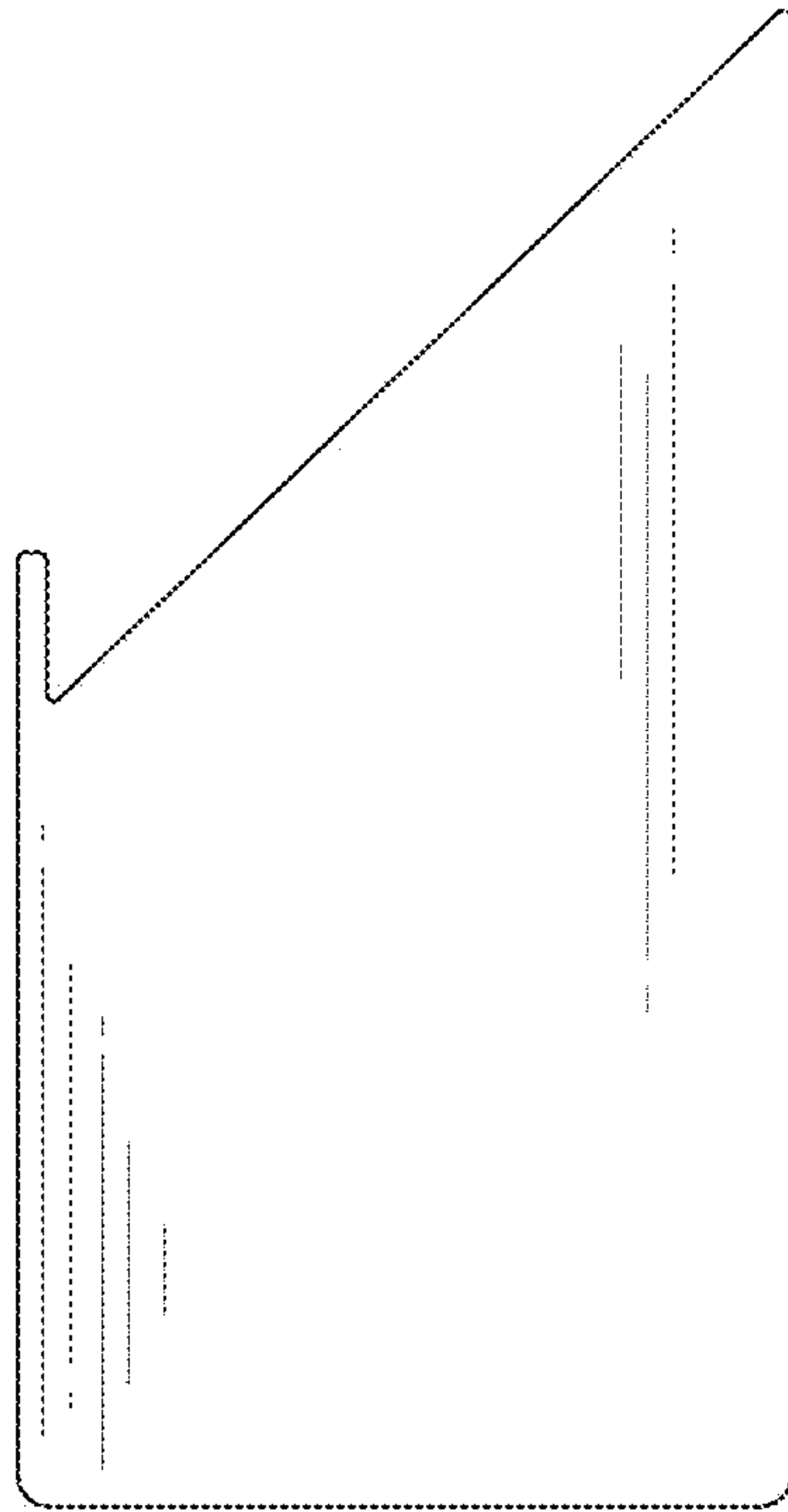


FIG.5

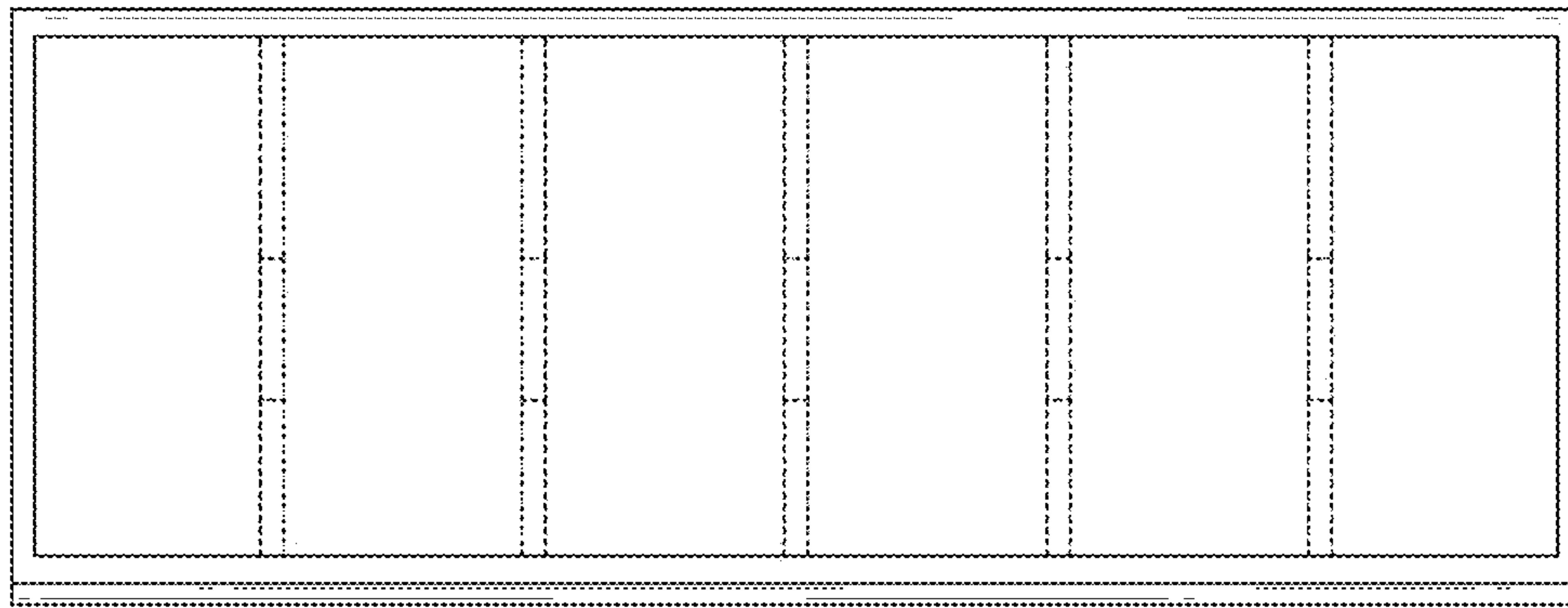


FIG.6

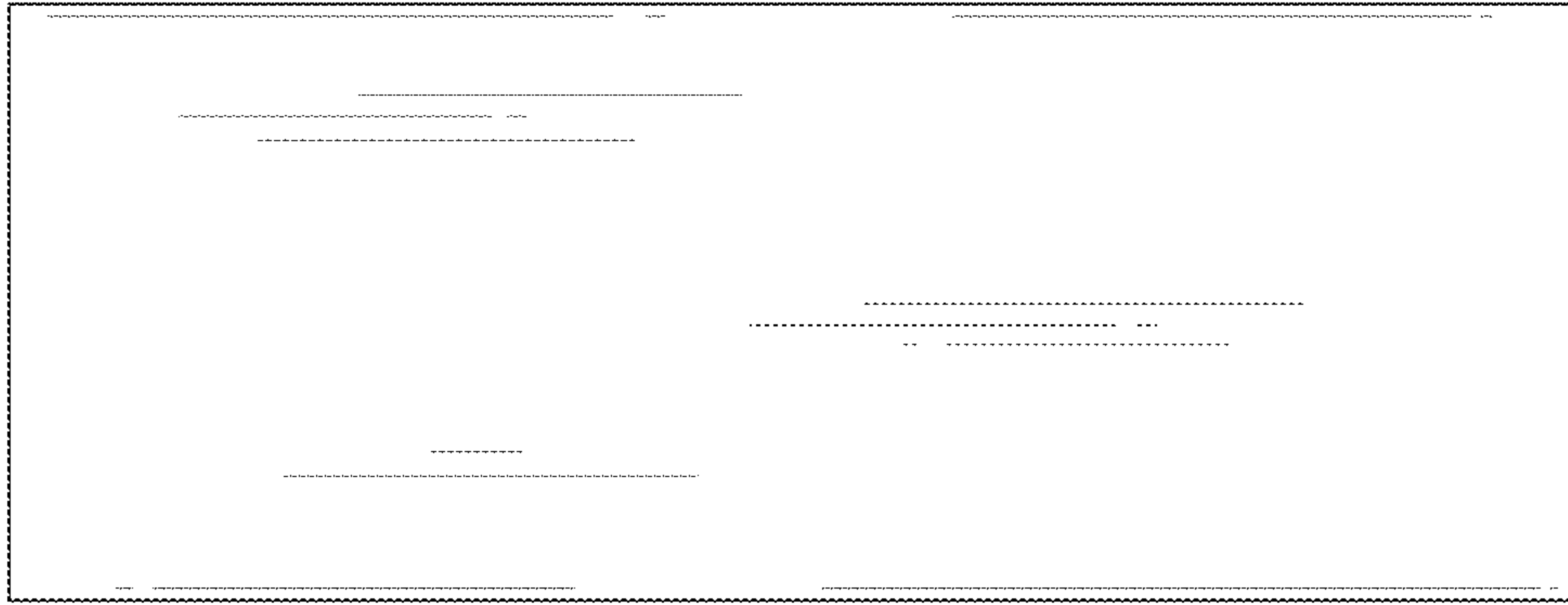


FIG.7