



US00D965298S

(12) **United States Design Patent** (10) **Patent No.:** **US D965,298 S**
Kong (45) **Date of Patent:** **** Oct. 4, 2022**

(54) **SHOE STORAGE BOX**
(71) Applicant: **Nanjing Yixiu Sports Technology Co., Ltd., Nanjing (CN)**
(72) Inventor: **Weihua Kong, Nanjing (CN)**
(**) Term: **15 Years**
(21) Appl. No.: **29/798,868**
(22) Filed: **Jul. 12, 2021**
(51) **LOC (13) Cl.** **03-01**
(52) **U.S. Cl.**
USPC **D3/302**
(58) **Field of Classification Search**
USPC D3/207, 212, 271.6, 294, 295, 299, 302,
D3/303, 901, 903, 905
CPC .. B65D 85/187; A47B 87/0276; A01K 97/06;
A45C 13/02; A61J 1/03
See application file for complete search history.

D816,992 S 5/2018 Sapp
D899,773 S * 10/2020 Hu D3/304
D923,336 S * 6/2021 Zhai B65D 5/46024
D3/306
2007/0039840 A1* 2/2007 Mu B65D 5/38
206/278

FOREIGN PATENT DOCUMENTS

GB 6103346 * 10/2020

OTHER PUBLICATIONS

Kuject Shoe Organizer Storage Boxes, announced Dec. 15, 2020 [online], [site visited Mar. 15, 2022]. Available from internet, URL: <<https://www.amazon.com/Organizer-Kuject-Stackable-Containers-Entryway/dp/B08QMLPNSH/?th=1>> (Year: 2020).*

(Continued)

Primary Examiner — Kevin K Rudzinski
Assistant Examiner — Amber J Rabie
(74) *Attorney, Agent, or Firm* — Rumit Ranjit Kanakia

(57) **CLAIM**

The ornamental design for a shoe storage box, as shown and described.

DESCRIPTION

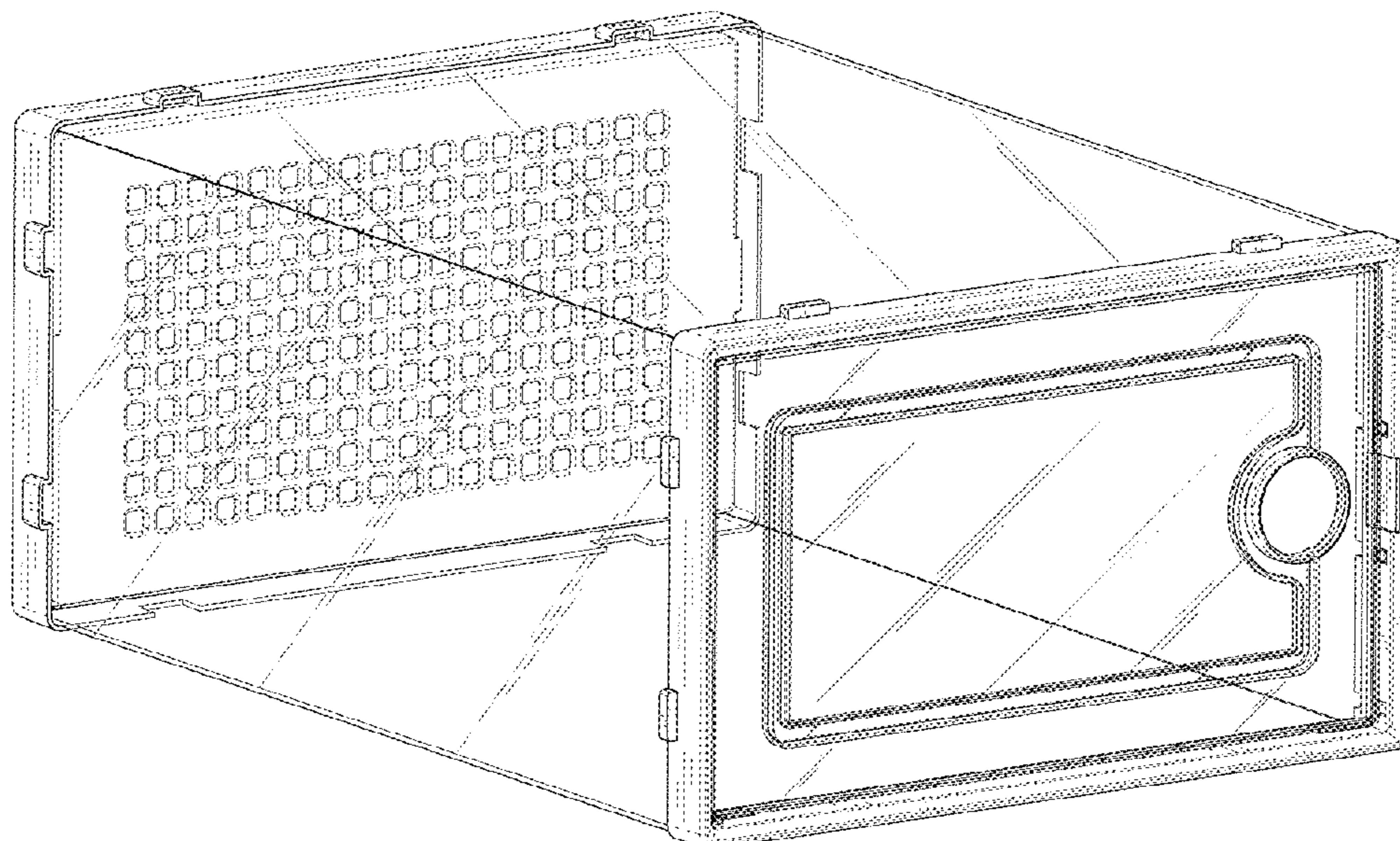
FIG. 1 is a front elevational view of a shoe storage box showing my new design;
FIG. 2 is a rear elevational view thereof;
FIG. 3 is a left side view thereof;
FIG. 4 is a right side view thereof;
FIG. 5 is a top plan view thereof;
FIG. 6 is a bottom plan view thereof;
FIG. 7 is a perspective view thereof; and,
FIG. 8 is another perspective view thereof.
The broken lines in the figures are for the purposes of illustrating portions of the shoe storage box, which form no part of the claimed design.

1 Claim, 8 Drawing Sheets

(56) **References Cited**

U.S. PATENT DOCUMENTS

4,166,529 A * 9/1979 Adamek B65D 5/32
229/122.22
4,660,725 A * 4/1987 Fishman B65D 21/0213
220/23.6
D503,042 S 3/2005 Gutierrez
D527,901 S 9/2006 Selsted
D535,102 S 1/2007 Matsuda
7,216,913 B1 * 5/2007 Volsey, II B62K 19/46
296/78.1
7,249,674 B2 * 7/2007 Mu B65D 5/46024
206/278
D584,053 S * 1/2009 Abdo B65D 5/32
D3/302
D590,153 S 4/2009 Sapp
D590,248 S * 4/2009 Mu B65D 21/0213
D9/418
D643,628 S 8/2011 Monarch



(56)

References Cited

OTHER PUBLICATIONS

eWonLife Shoe Storage Boxes, announced Mar. 22, 2021 [online], [site visited Mar. 15, 2022]. Available from internet, URL: <<https://www.amazon.com/eWonLife-Stackable-Organizer-Containers-Bathrooms/dp/B08ZNCDDGGS/>> (Year: 2021).*

Shoe Organizer Storage Boxes for Closet 12 Packs Grey, Kuject Clear Plastic Stackable Shoe Storage Bins with Drawers & Lids, Clothes Kids Toy Under Bed Shoe Storage Containers For Entryway, Closet Floor, Drop Front, Cubby, Amazon.com, Dec. 15, 2020, Kuject, https://www.amazon.com/Organizer-Kuject-Stackable-Containers-Entryway/dp/B08QMLPNSH/ref=sr_1_2?crid=3AA4L05CGIDQD1&keywords=B08QMLPNSH&qid=1656426783&srefix=b08qmlpns%2Caps%2C340&sr=8-5&th=1

Shoe Storage Boxes Stackable Plastic with Lids, eWonLife Clear Storage Organizer for Closet, Drop Front, Under Bed Shoe Box Containers for Entryway, Bedrooms, Bathrooms, Amazon.com, Mar. 22, 2021, eWonLife, https://www.amazon.com/eWonLife-Stackable-Organizer-Containers-Bathrooms/dp/B08ZNCDDGGS/ref=sr_1_5?crid=1U5JEIRV5GMKA&keywords=B08ZNCDDGGS&qid=1656426835&srefix=b08zncdgg%2Caps%2C340&sr=8-5&th=1 (Last Accessed: Jun. 28, 2022).

* cited by examiner

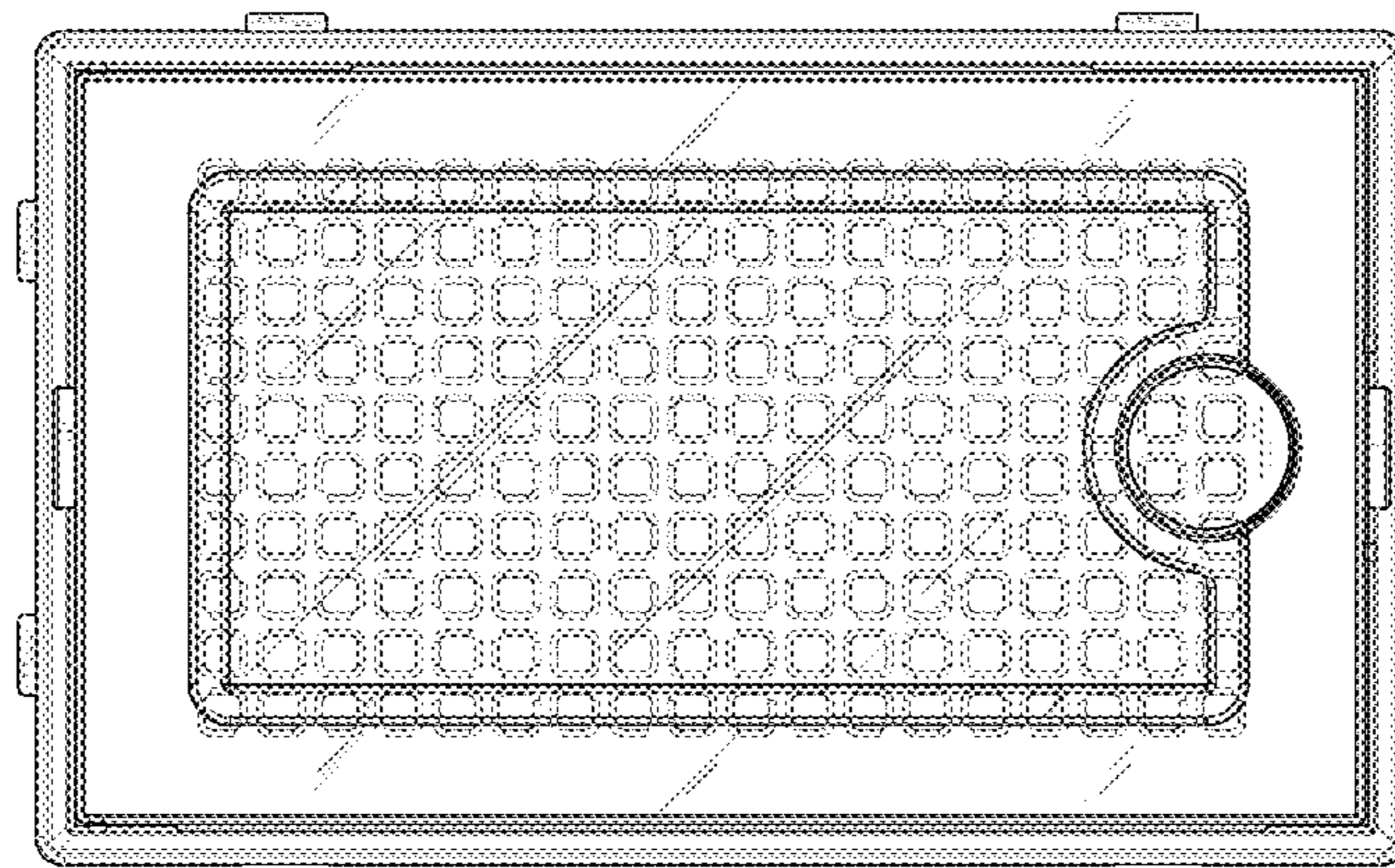


FIG. 1

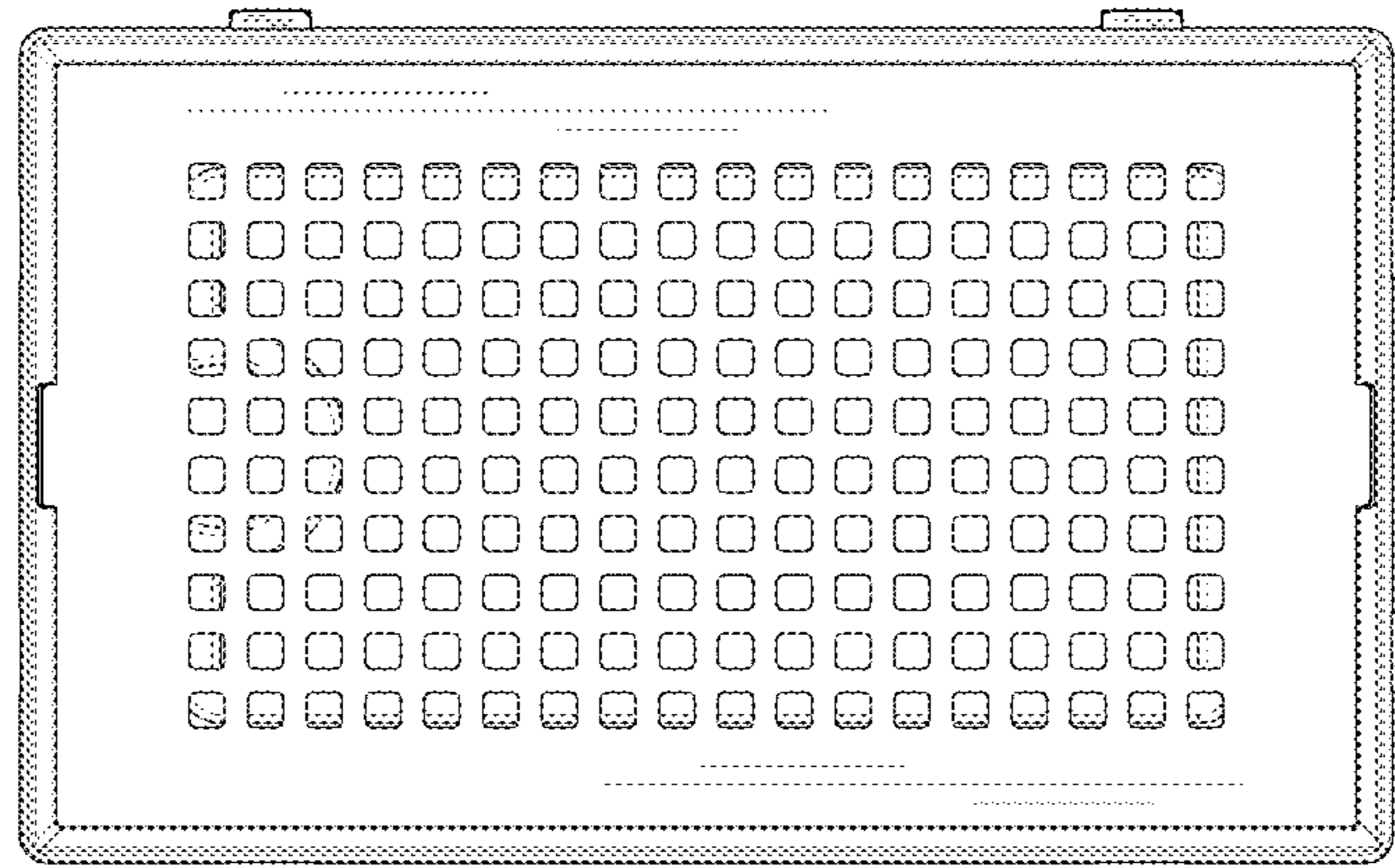


FIG. 2

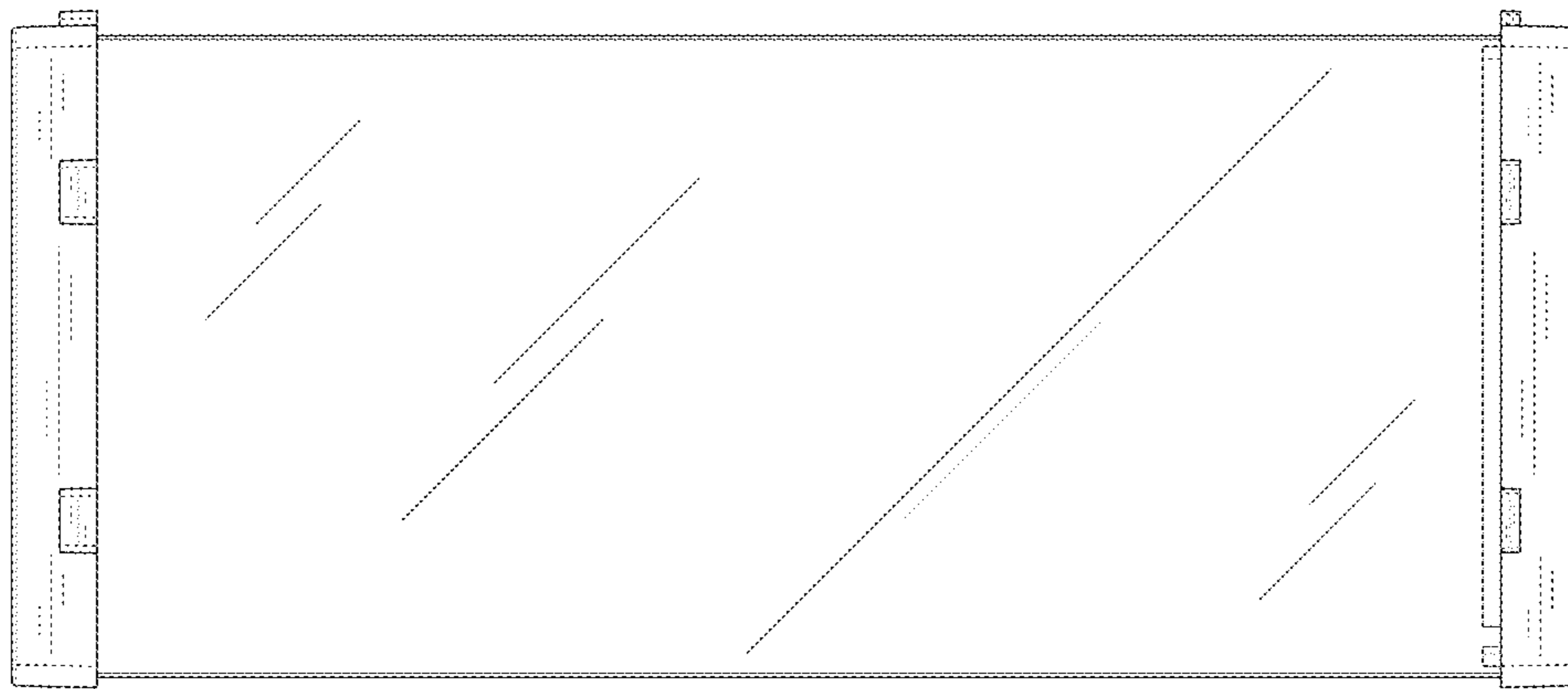


FIG. 3

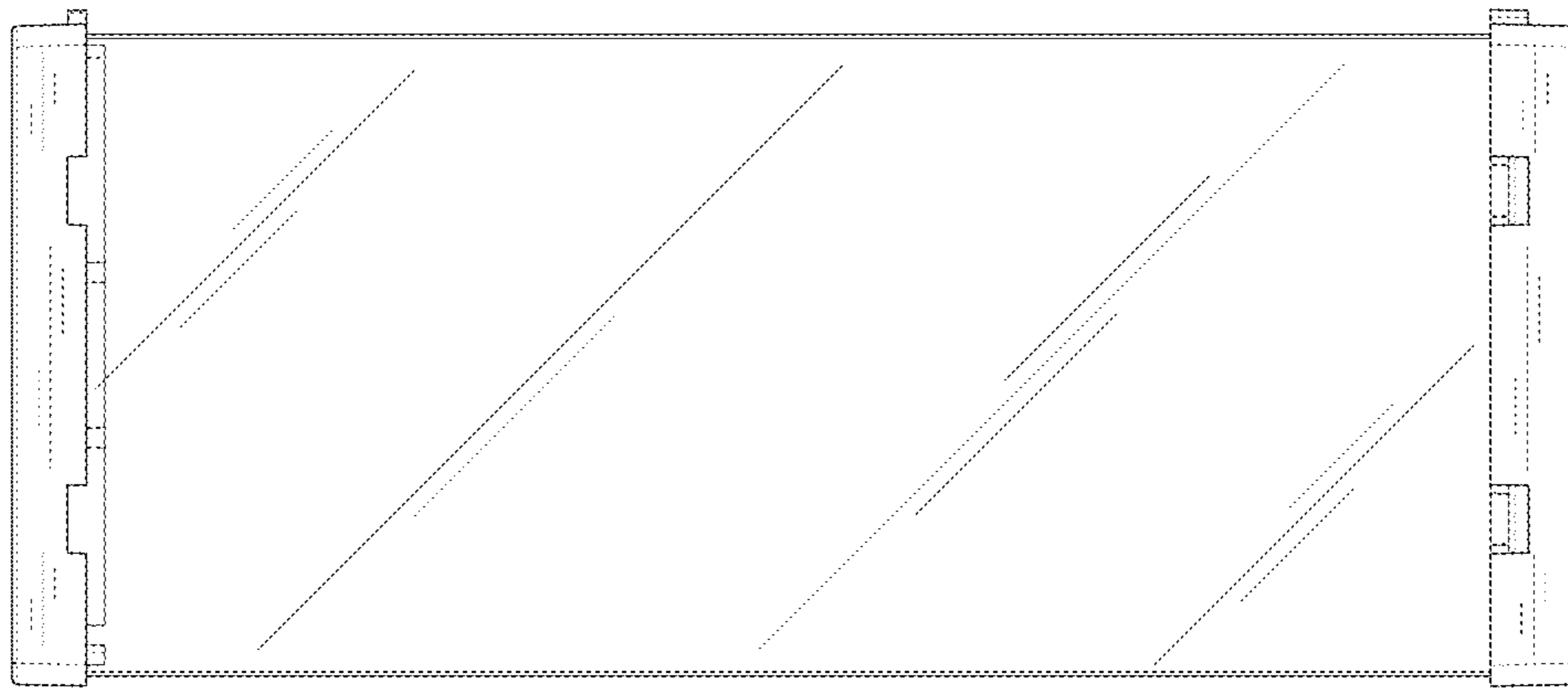


FIG.4

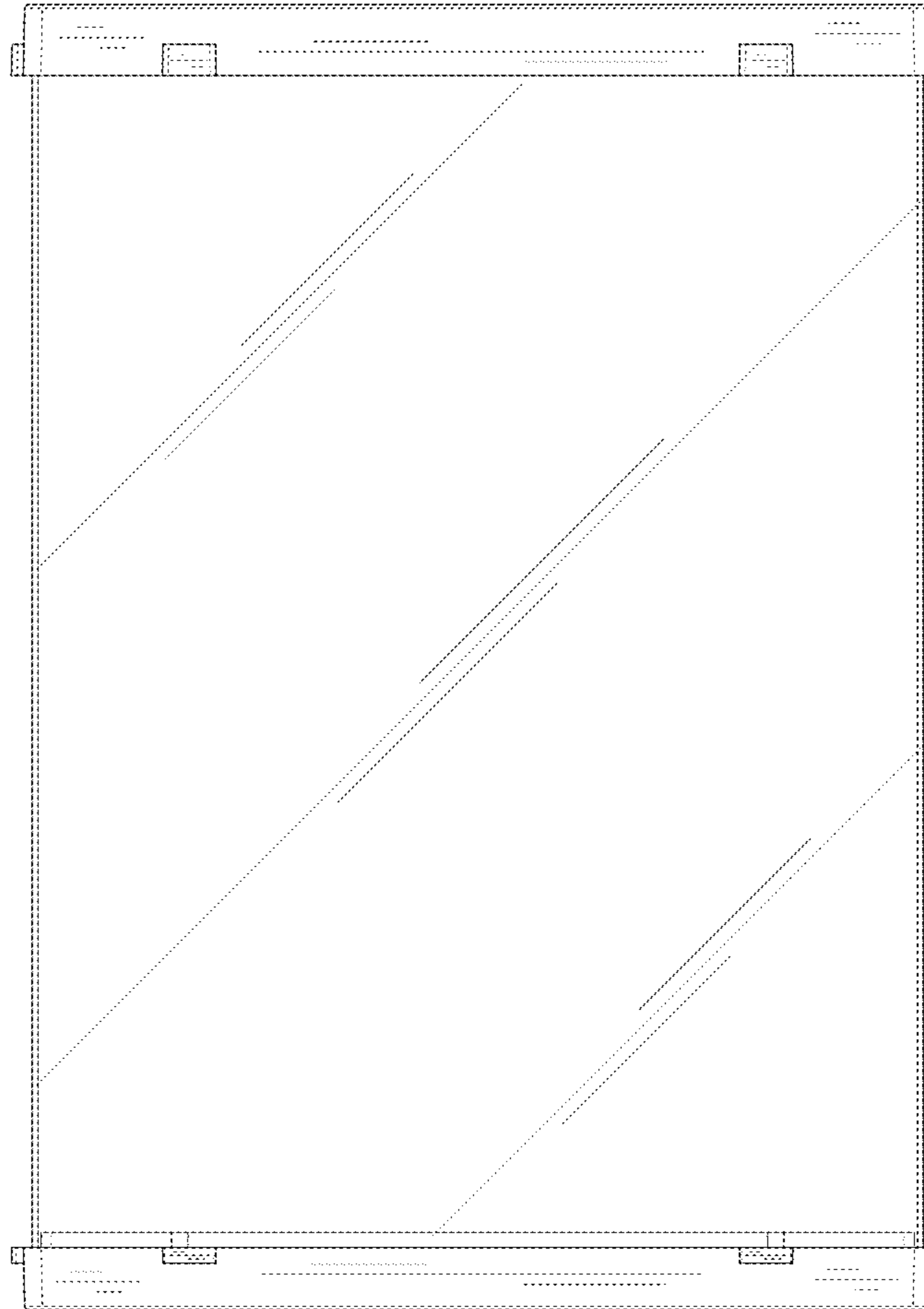


FIG. 5

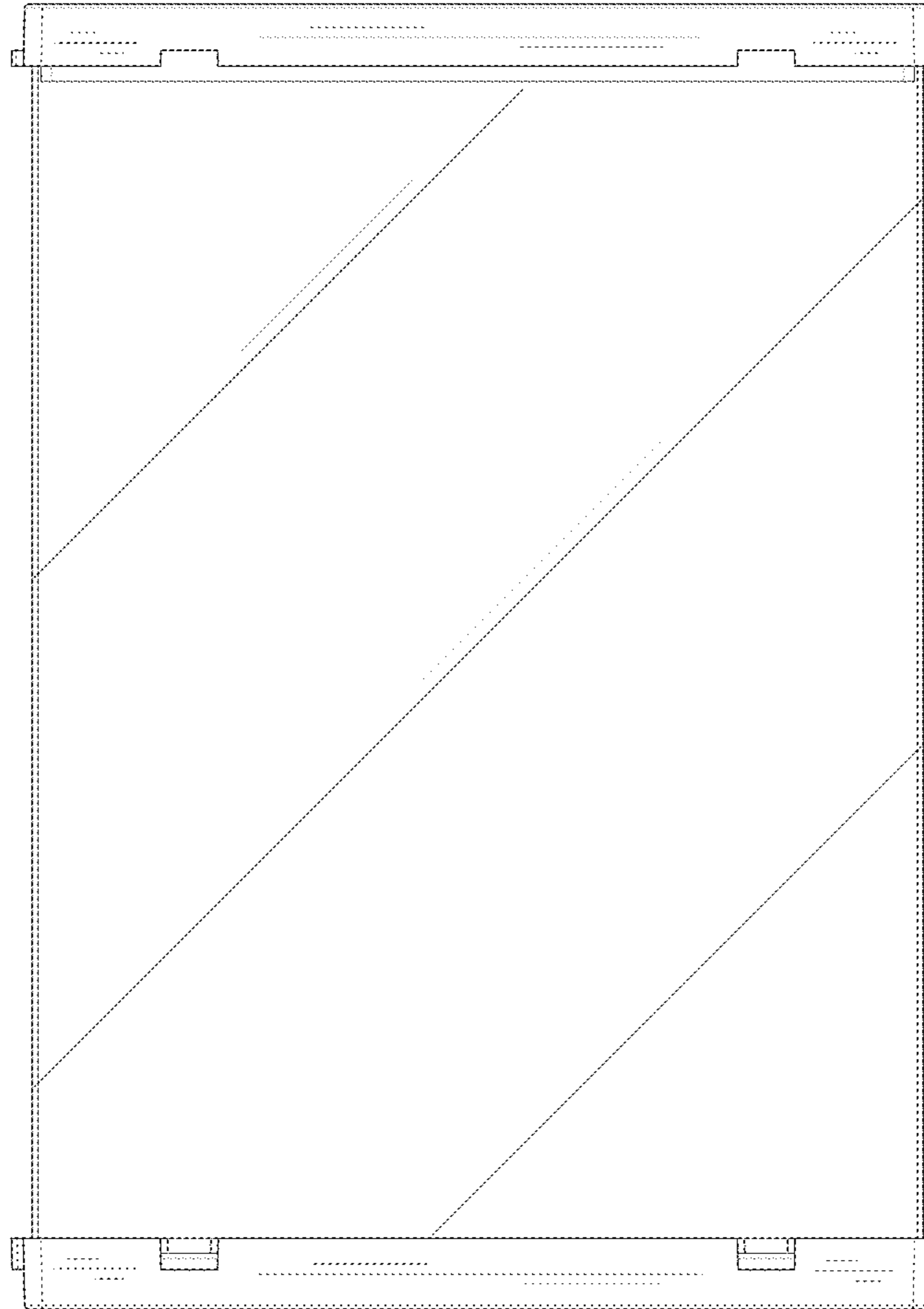


FIG. 6

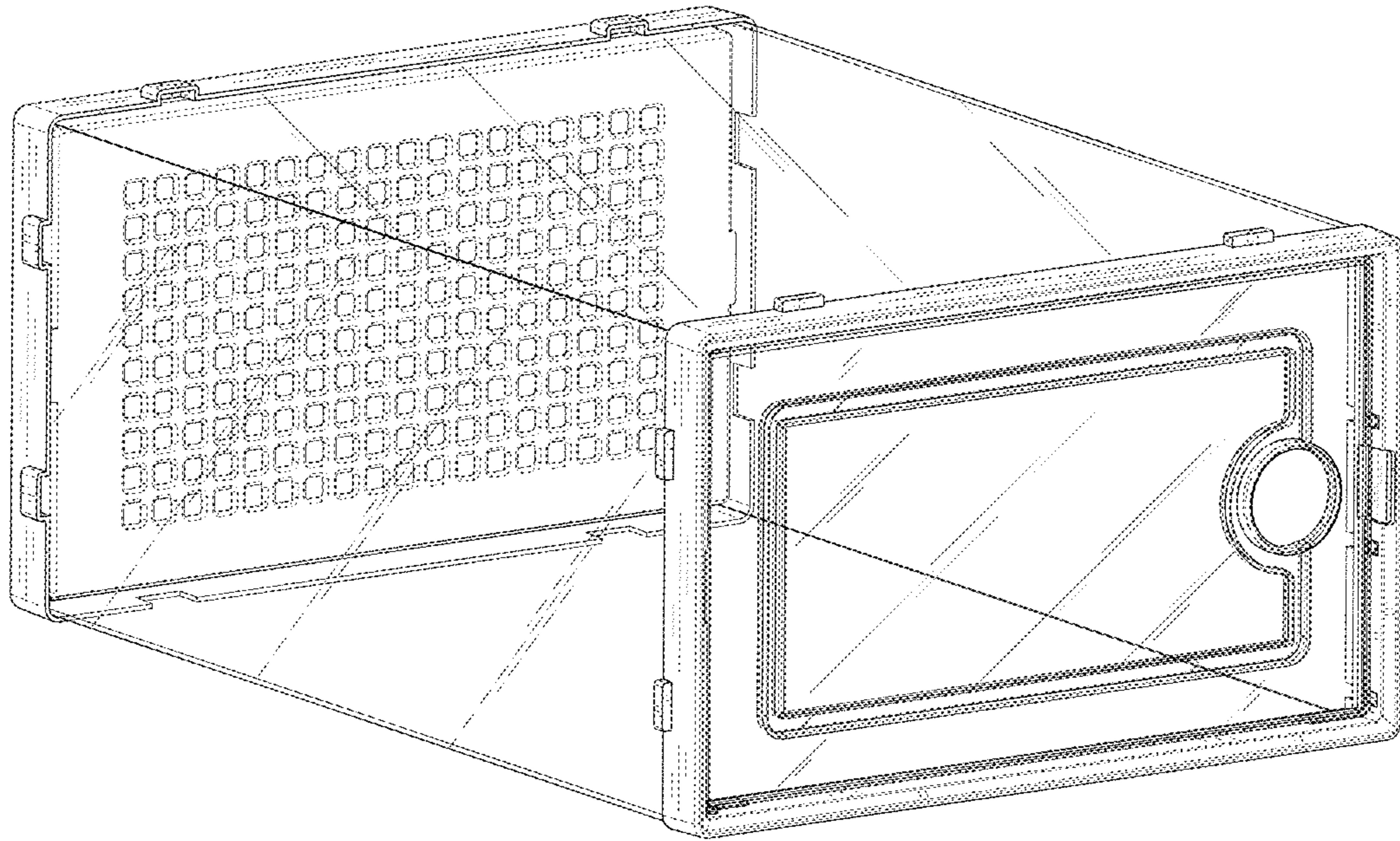


FIG. 7

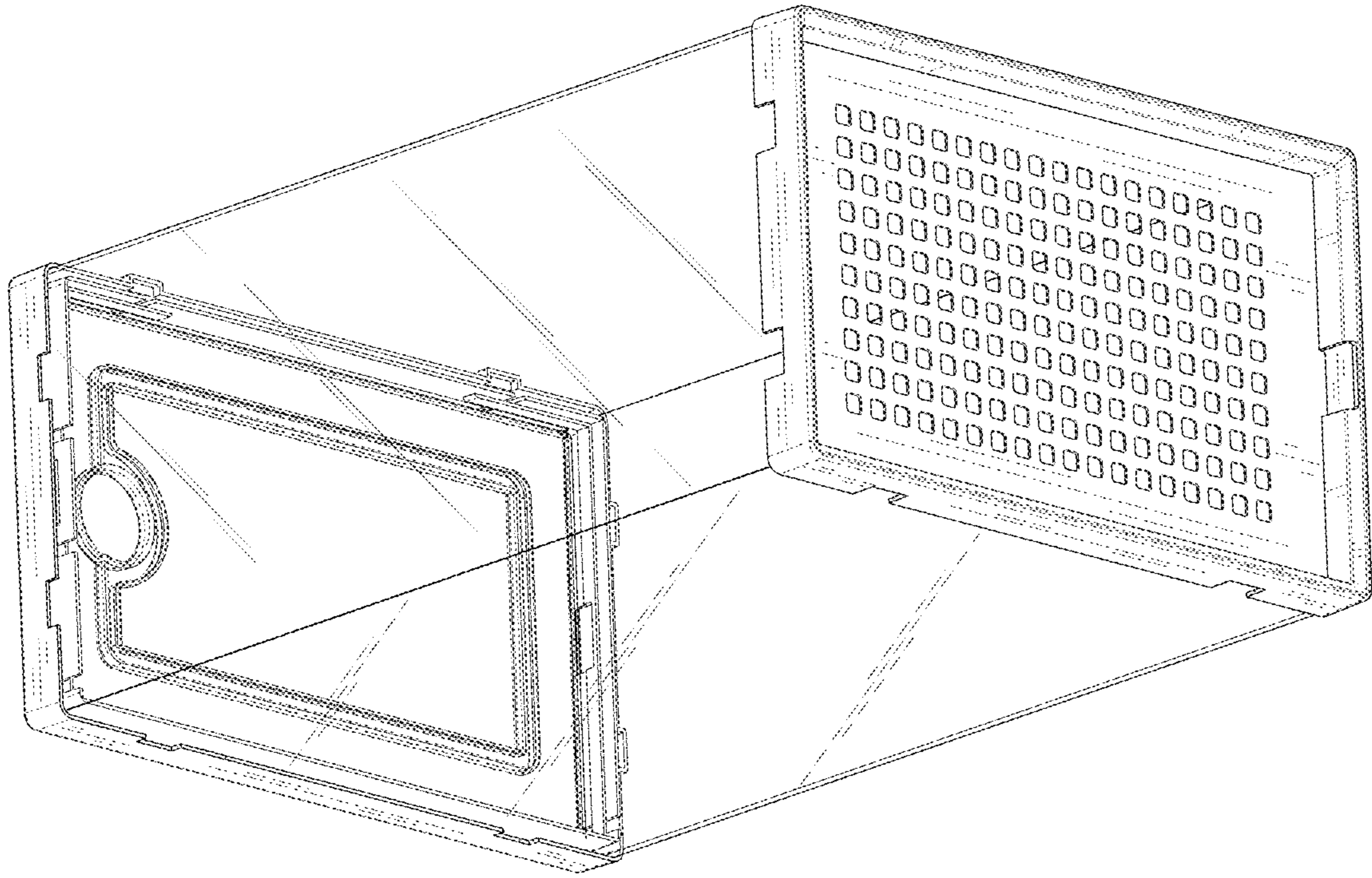


FIG. 8