



US00D965296S

(12) **United States Design Patent**
Hinkle

(10) **Patent No.:** **US D965,296 S**
(45) **Date of Patent:** **** Oct. 4, 2022**

(54) **MAKEUP CASE WITH ATTACHABLE
HOLDERS**

DESCRIPTION

(71) Applicant: **Stormy Lynn Hinkle**, Yucaipa, CA
(US)

(72) Inventor: **Stormy Lynn Hinkle**, Yucaipa, CA
(US)

(**) Term: **15 Years**

(21) Appl. No.: **29/755,626**

(22) Filed: **Oct. 21, 2020**

(51) **LOC (13) Cl.** **03-01**

(52) **U.S. Cl.**
USPC **D3/284**; D3/901; D3/233

(58) **Field of Classification Search**
USPC D3/203.1, 203.3, 205, 273, 284, 285,
D3/286, 287, 288, 289, 290, 294, 295,
(Continued)

(56) **References Cited**

U.S. PATENT DOCUMENTS

D359,163 S * 6/1995 Summerfield D3/205
5,829,502 A * 11/1998 Distefano A45C 3/00
190/110

(Continued)

OTHER PUBLICATIONS

Great seful Stuff, "Beauty Book—Cosmetic Case and Pouch",
Accessed May 3, 2022. (<https://greatusefulstuff.com/products/beauty-book-cosmetic-case-and-pouch?variant=34410695524507>) (Year:
2022).*

(Continued)

Primary Examiner — April Rivas

(74) *Attorney, Agent, or Firm* — LambentIP

(57) **CLAIM**

The ornamental design for a makeup case with attachable holders, as shown and described.

FIG. 1 is a perspective view of a makeup case with a plurality of attachable holders, showing my design in a closed configuration.

FIG. 2 is a top view thereof.

FIG. 3 is a bottom view thereof.

FIG. 4 is a front view thereof.

FIG. 5 is a back view thereof.

FIG. 6 is a side view thereof.

FIG. 7 is a perspective view of the makeup case in a half open configuration.

FIG. 8 is a top view thereof.

FIG. 9 is a top view of the makeup case in an open configuration, wherein a plurality of pockets disposed on the inner surface of a front panel of the makeup case are also opened.

FIG. 10 is a side view thereof.

FIG. 11 is a perspective view of the makeup case in an open configuration, wherein a plurality of pockets disposed on the inner surface of a front panel of the makeup case are also opened, and wherein a panel for covering the inner surface of a back panel of the makeup case is also opened.

FIG. 12 is a top view of a first holder of the plurality of attachable holders.

FIG. 13 is a side view thereof.

FIG. 14 is a top view thereof in a configuration wherein the first holder shown in FIG. 12 is flipped over around the edge with binder holes.

FIG. 15 is a side view thereof.

FIG. 16 is a top view of a second holder of the plurality of attachable holders.

FIG. 17 is a side view thereof.

FIG. 18 is a top view thereof in a configuration wherein the second holder shown in FIG. 16 is flipped over around the edge with binder holes.

FIG. 19 is a side view thereof.

FIG. 20 is a top view of a third holder of the plurality of attachable holders.

FIG. 21 is a side view thereof.

FIG. 22 is a top view thereof in a configuration wherein the third holder shown in FIG. 20 is flipped over around the edge with binder holes.

FIG. 23 is a side view thereof; and,

(Continued)

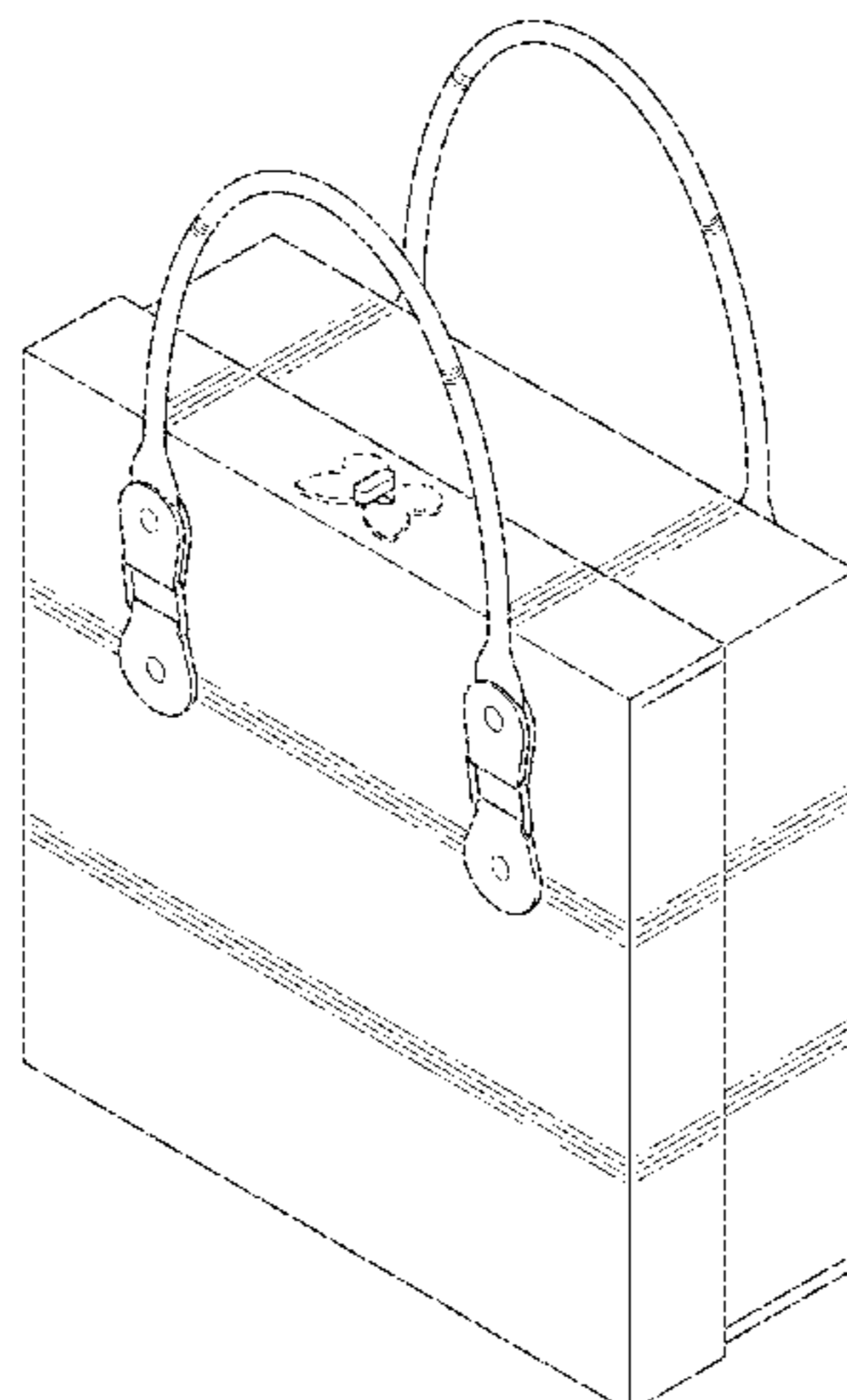


FIG. 24 a perspective view of the makeup case with the plurality of attachable holders in an open configuration, wherein the first holder, the second holder, and the third holder are detachably attached therein.

Portions of the makeup case with attachable holders are shown individually for convenience of illustration only. The broken lines are shown for the purpose of illustrating environmental subject matter for a makeup case with a plurality of attachable holders, and form no part of the claim.

1 Claim, 14 Drawing Sheets

(58) Field of Classification Search

USPC D3/298, 299, 900, 901, 902, 903, 233;
D9/433; D21/480

CPC .. A45C 13/1069; A45C 3/02; B65D 2313/04;
A63F 9/1044

See application file for complete search history.

(56) References Cited

U.S. PATENT DOCUMENTS

5,911,262 A * 6/1999 Steinhart A45C 3/00
190/110

6,109,442 A * 8/2000 Roegner A45D 29/20
206/823
D435,863 S * 1/2001 Eskandry D19/86
D455,902 S * 4/2002 Wolf D3/291
D485,067 S * 1/2004 Wolf D3/903
D552,348 S * 10/2007 Martin D3/265
D593,317 S * 6/2009 Yao D3/203.6
D658,361 S * 5/2012 Kontos D3/203.1
D663,944 S * 7/2012 Bouskill D3/226
D708,842 S * 7/2014 Hebert D3/205
D757,434 S * 5/2016 Beilman D3/901
D777,429 S * 1/2017 Mangano D3/285
D831,353 S * 10/2018 Aderinto D3/903
D855,308 S * 8/2019 Reynolds D3/203.1
D935,764 S * 11/2021 Lu D3/205

OTHER PUBLICATIONS

Instagram “BeautyBinder”, Post on Jan. 19, 2021. (https://www.instagram.com/p/CKQC78CndKb/?utm_source=ig_web_copy_link) (Year: 2021).*

* cited by examiner

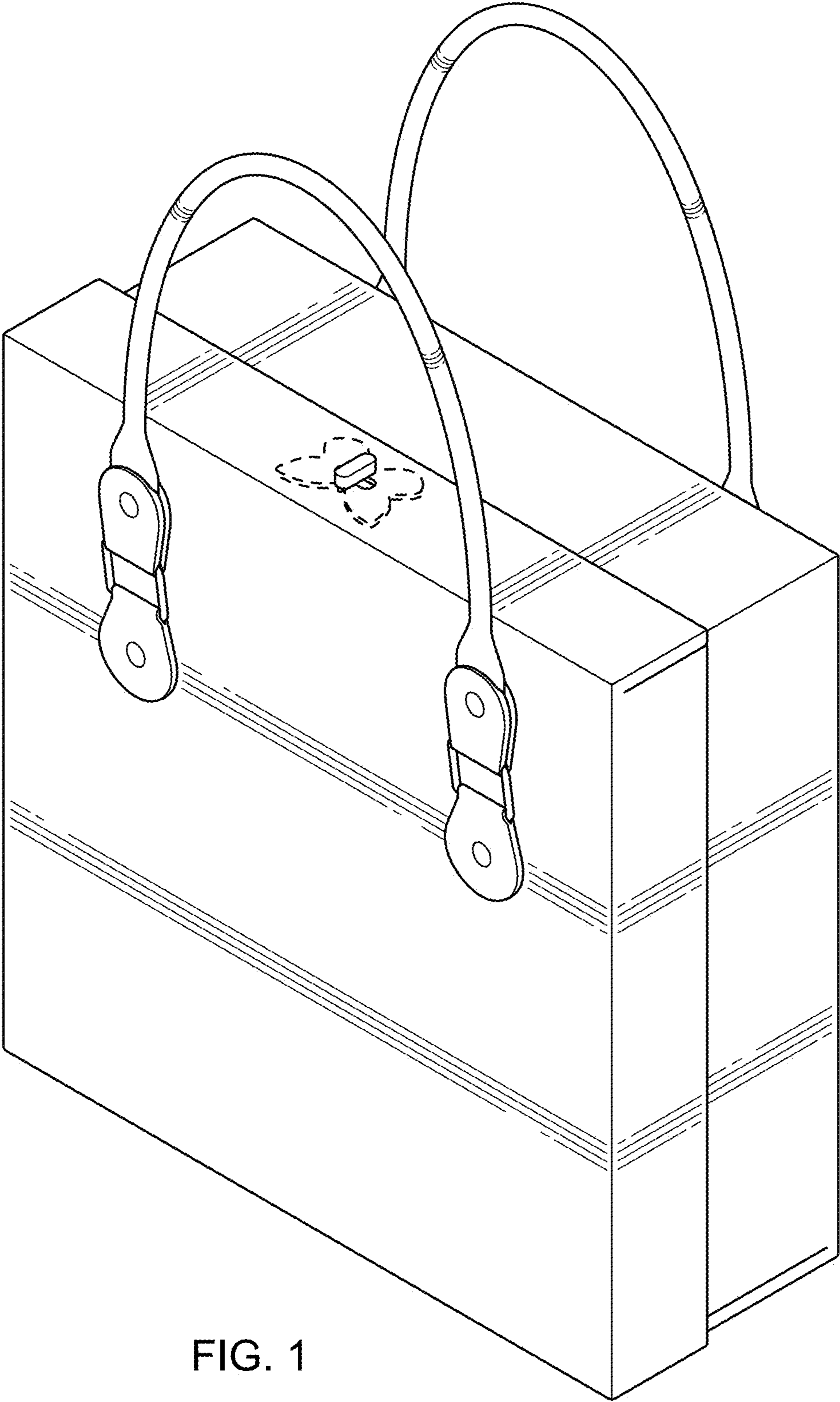


FIG. 1

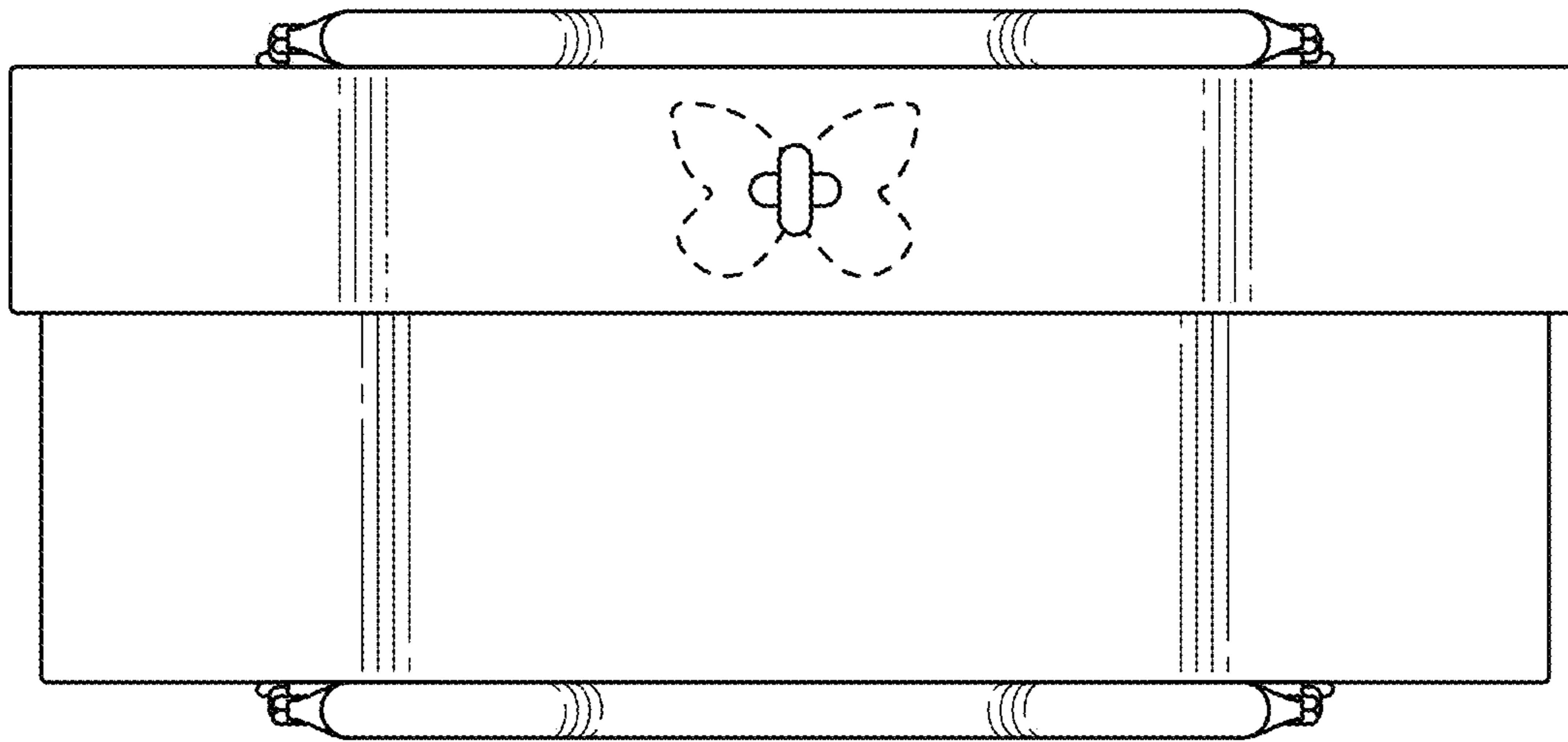


FIG. 2

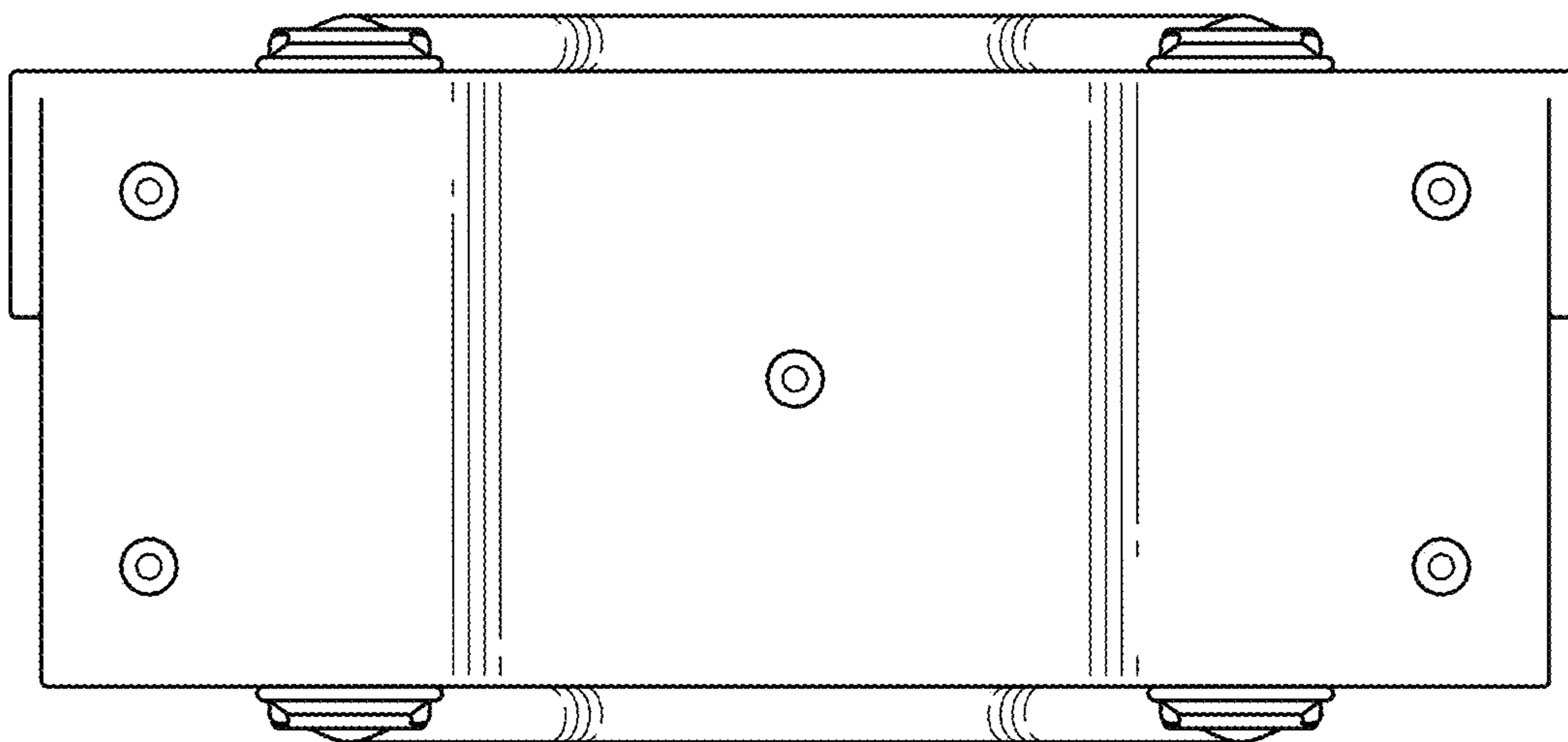


FIG. 3

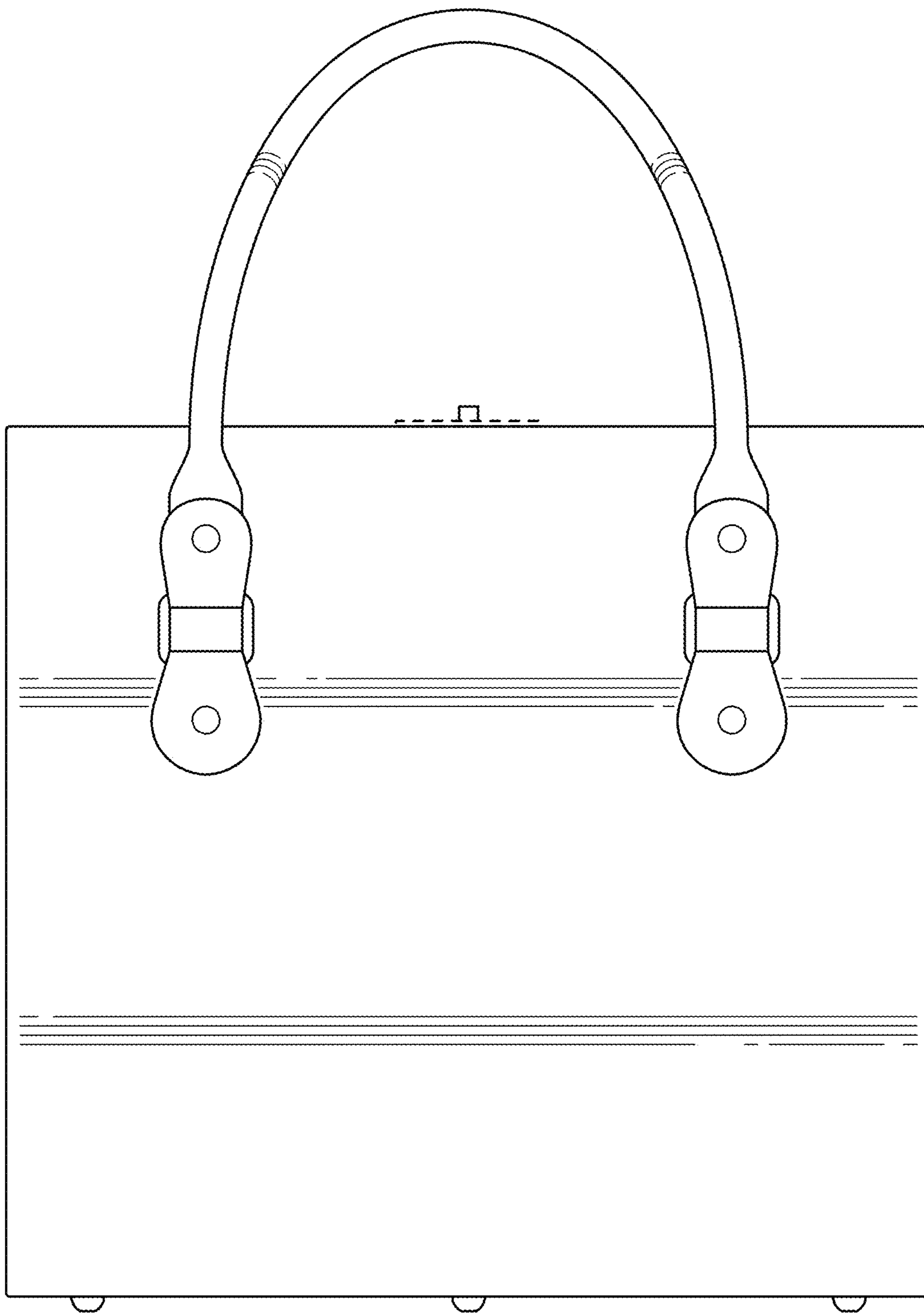


FIG. 4

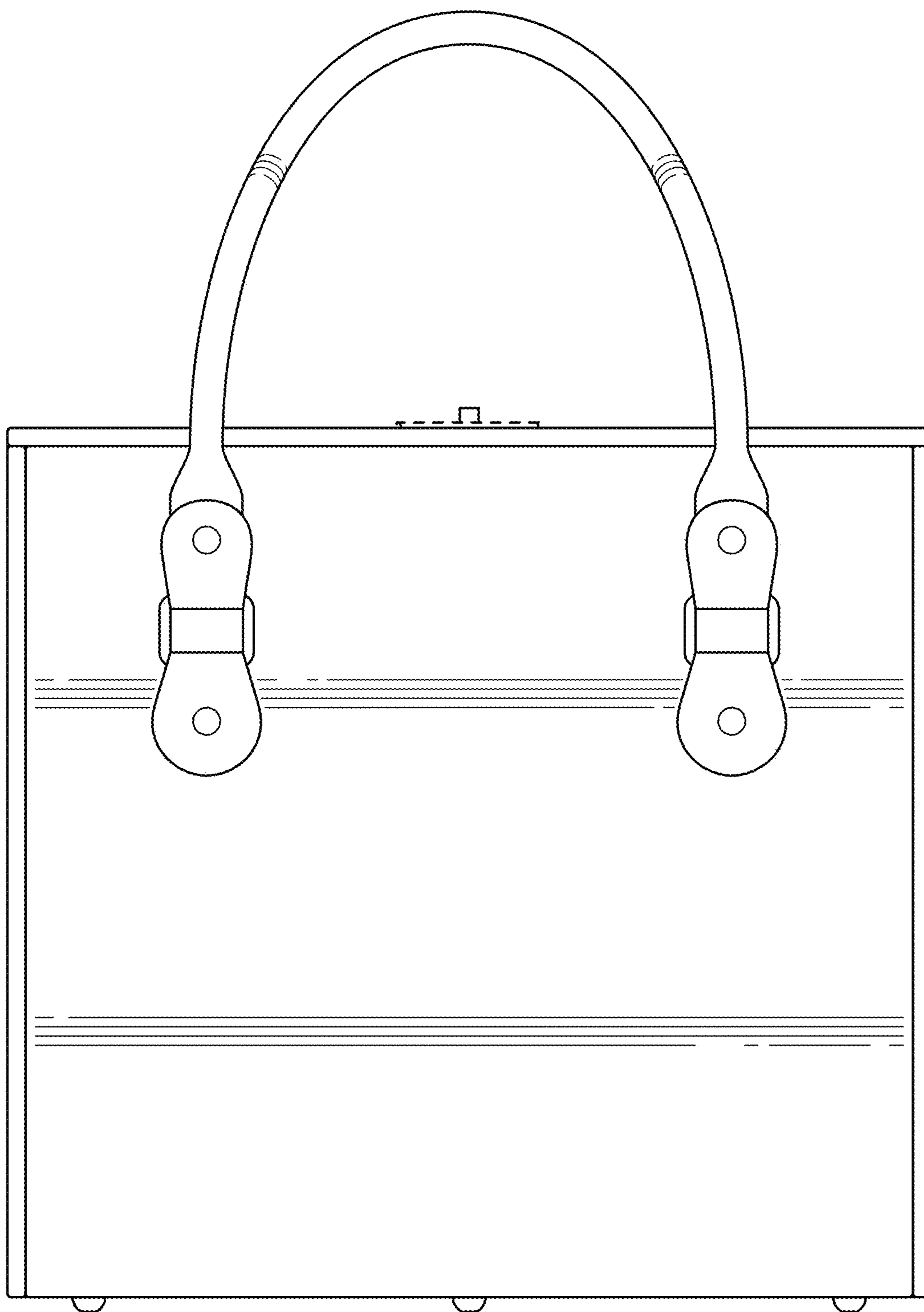


FIG. 5

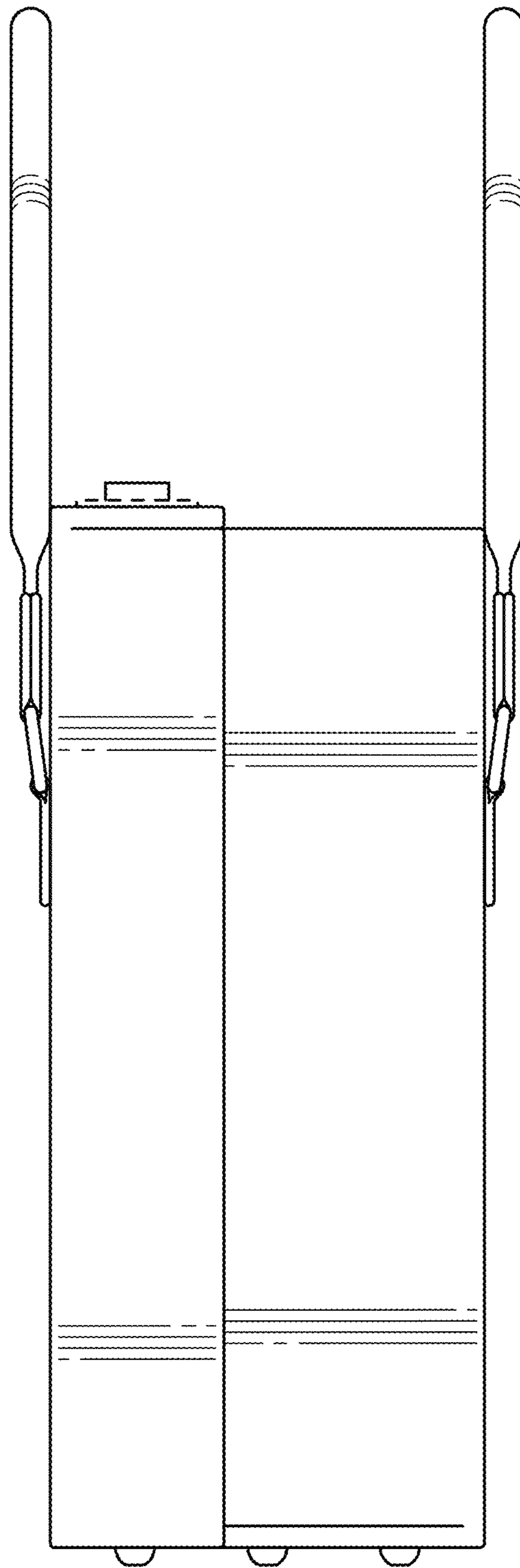


FIG. 6

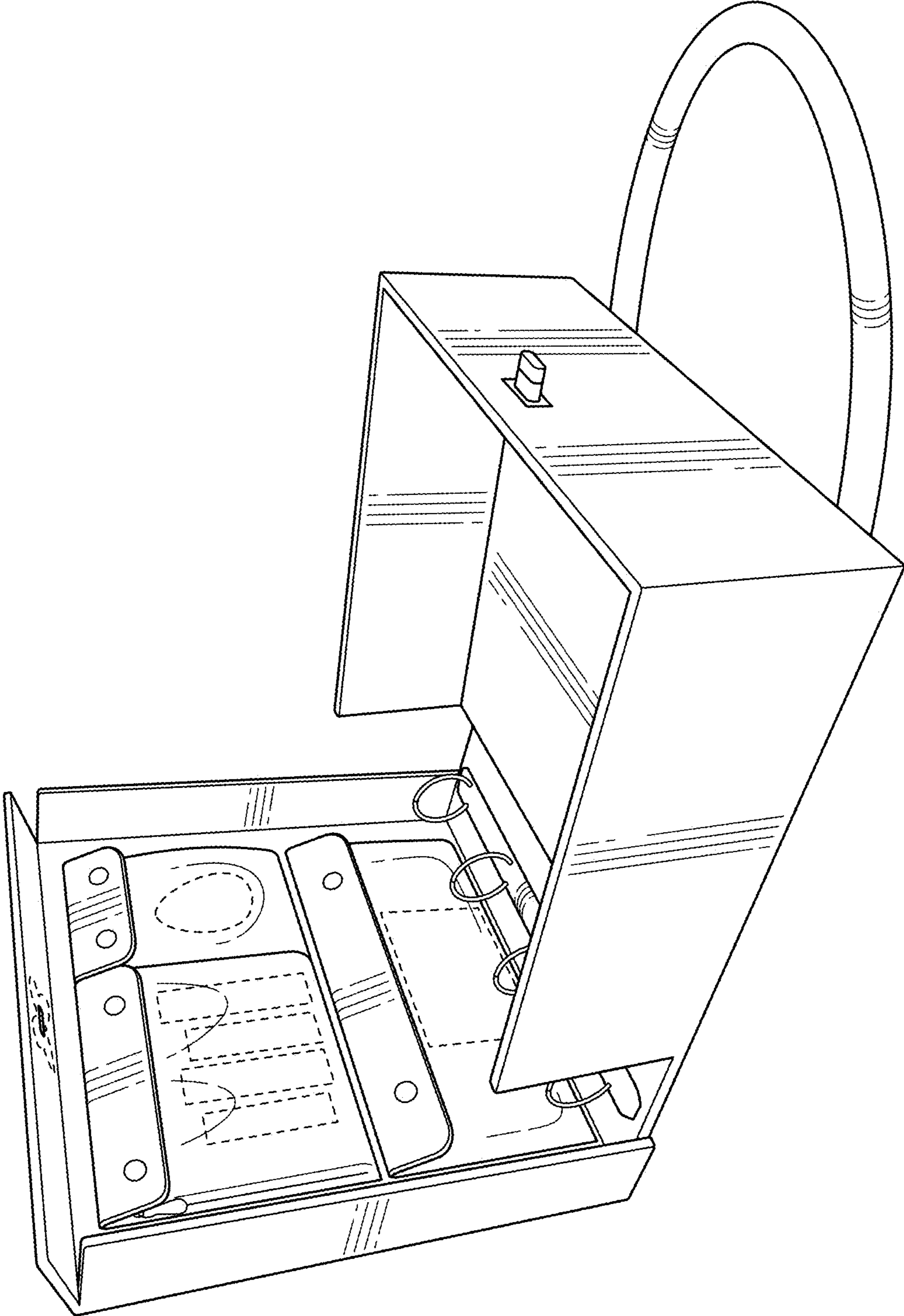


FIG. 7

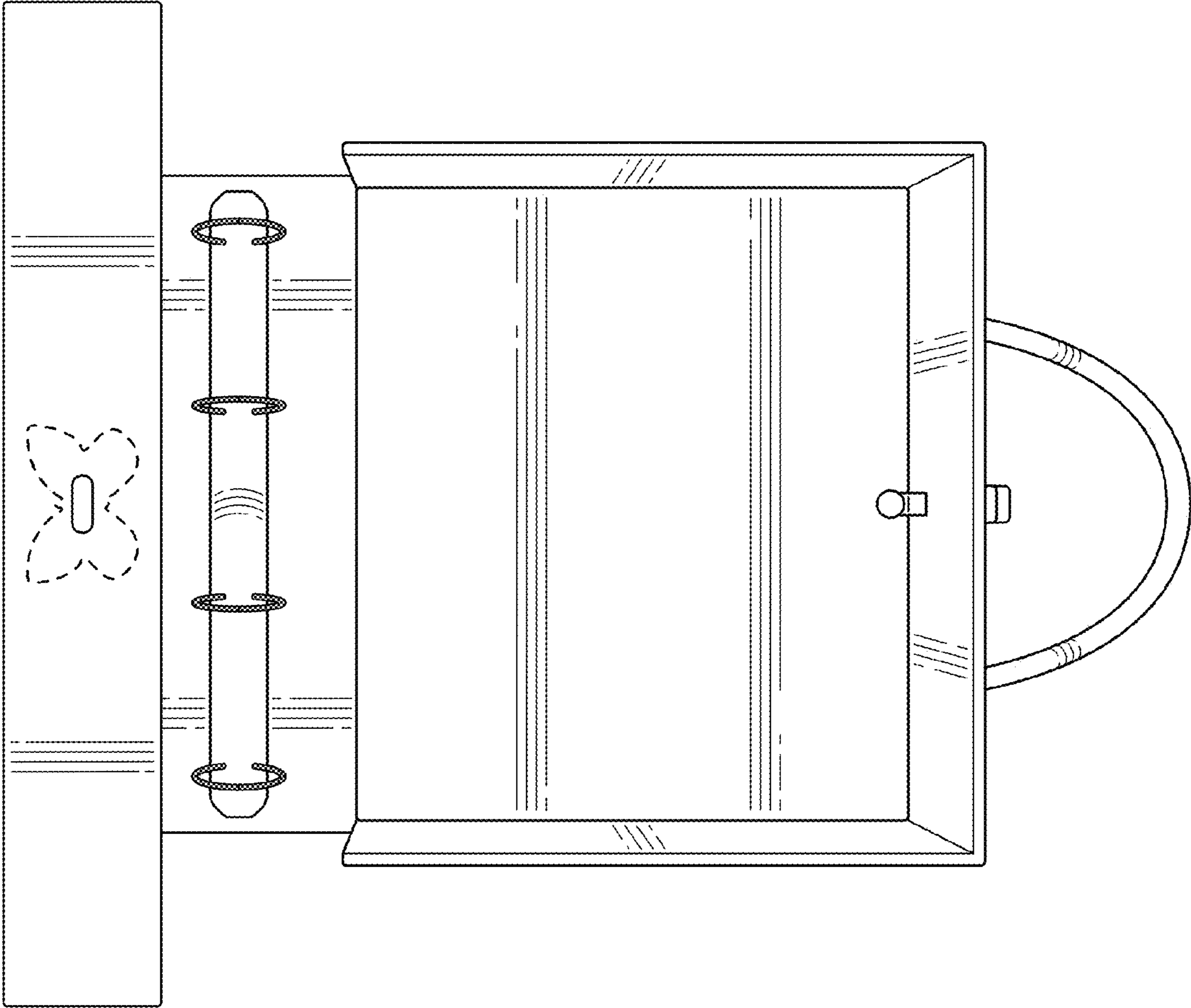


FIG. 8

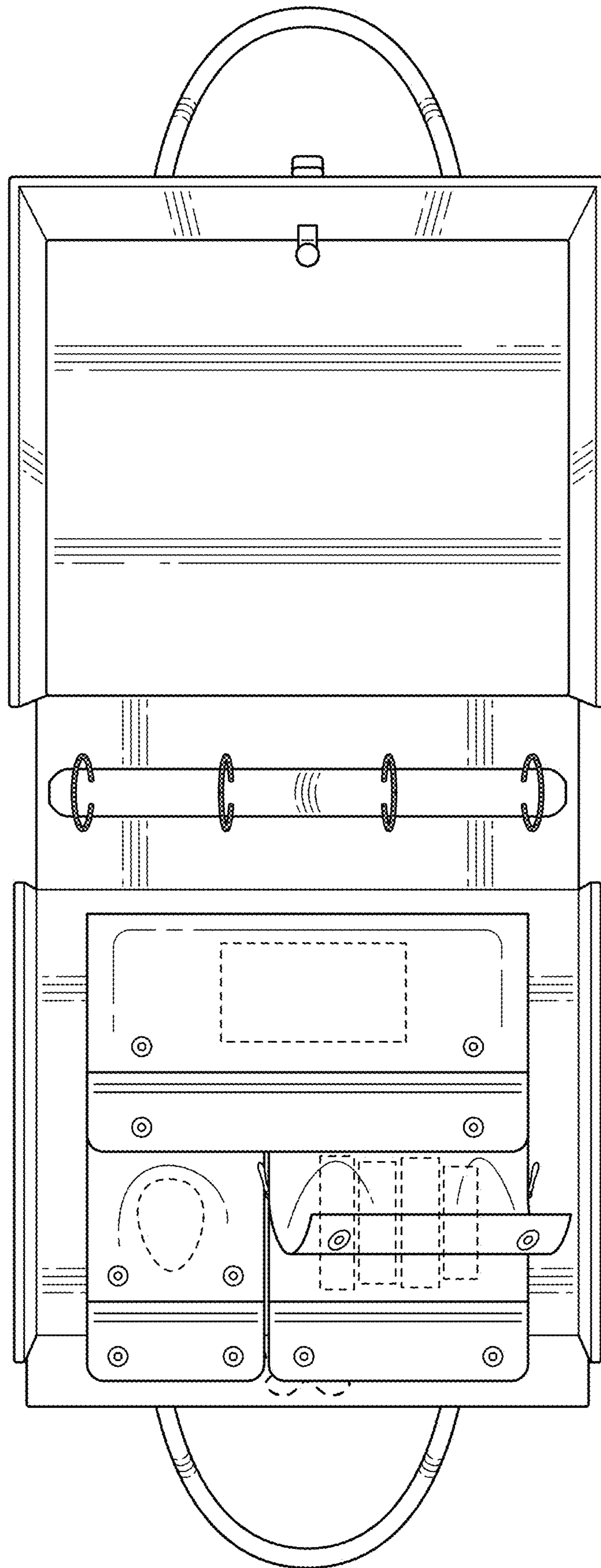


FIG. 9

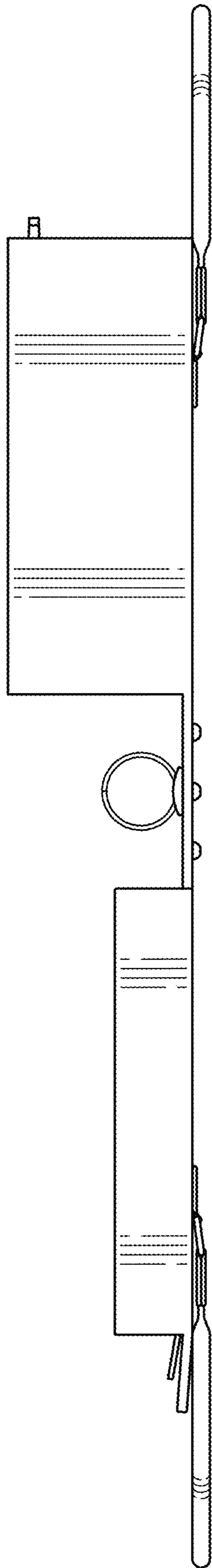


FIG. 10

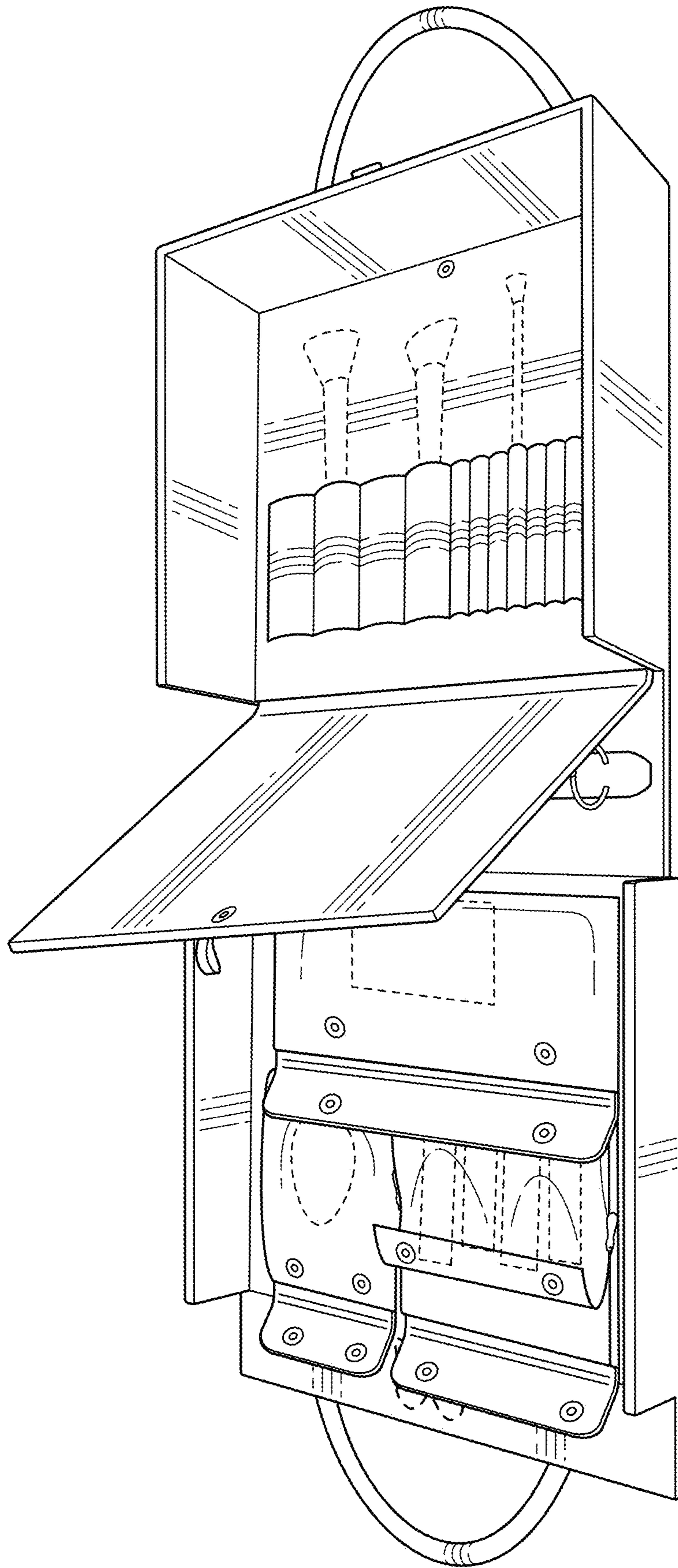


FIG. 11

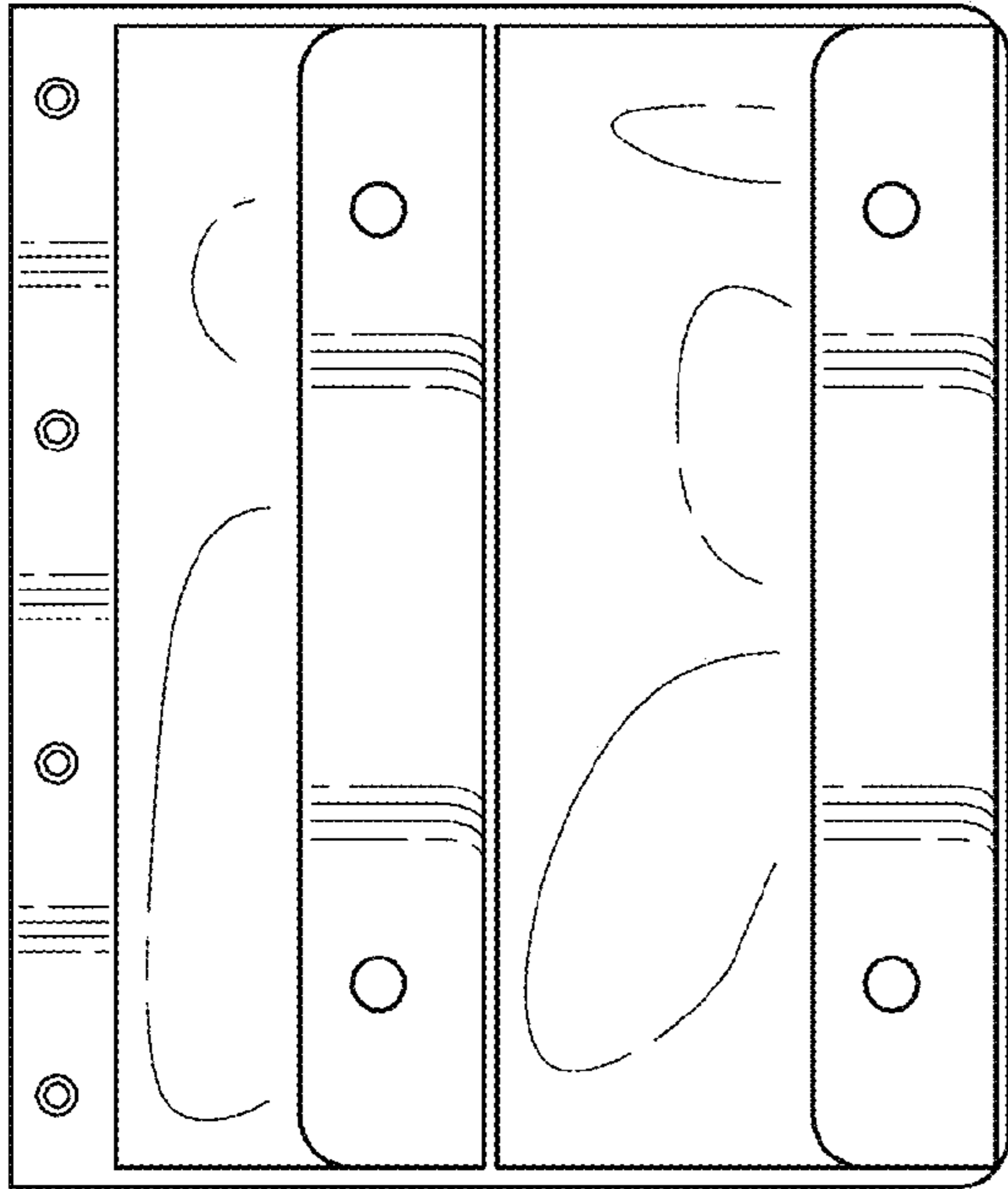


FIG. 12

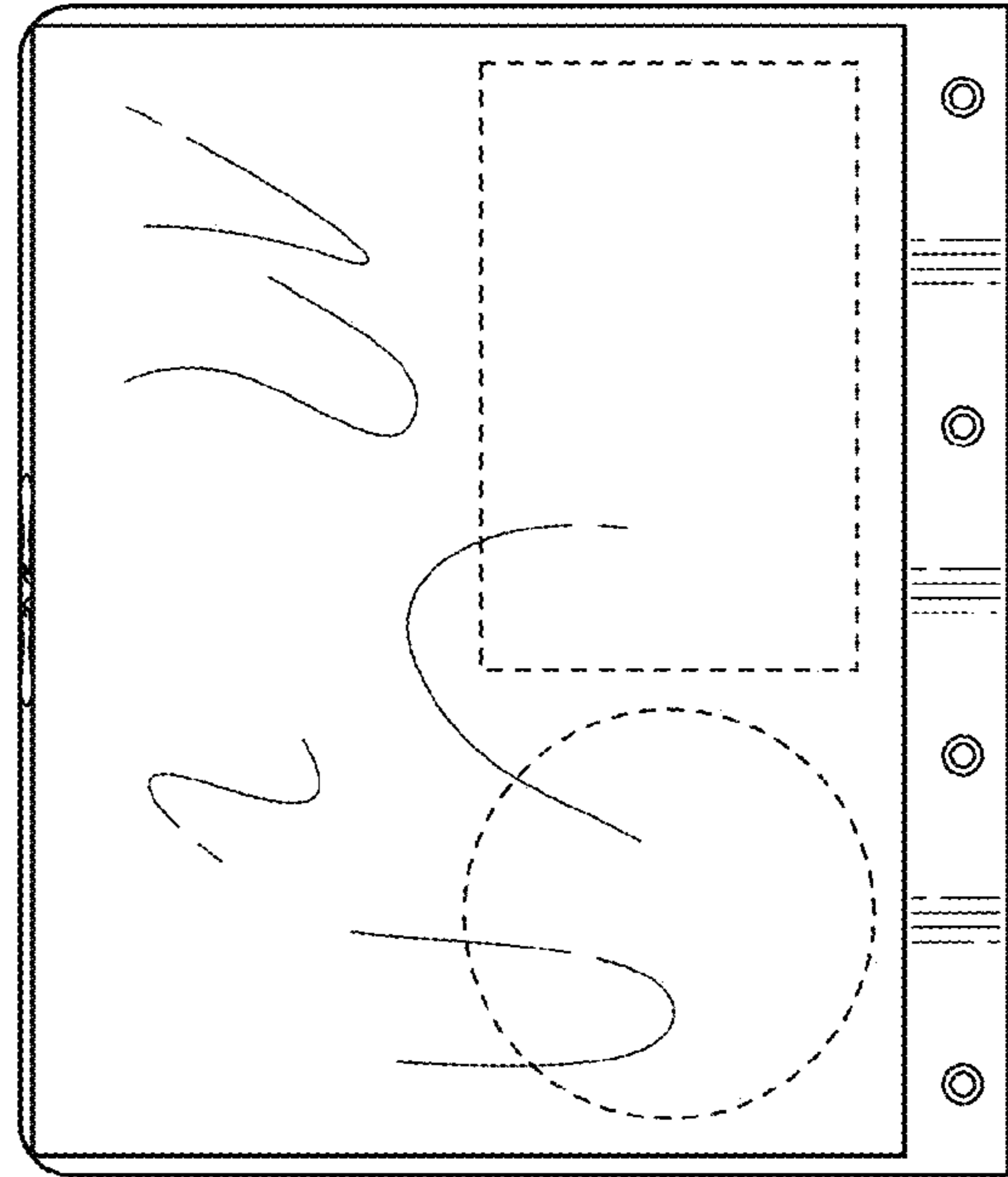


FIG. 14



FIG. 13

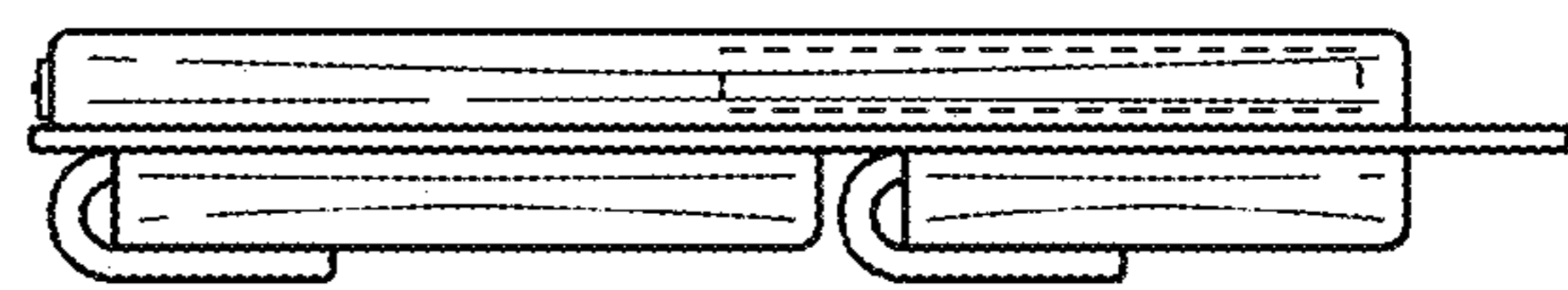


FIG. 15

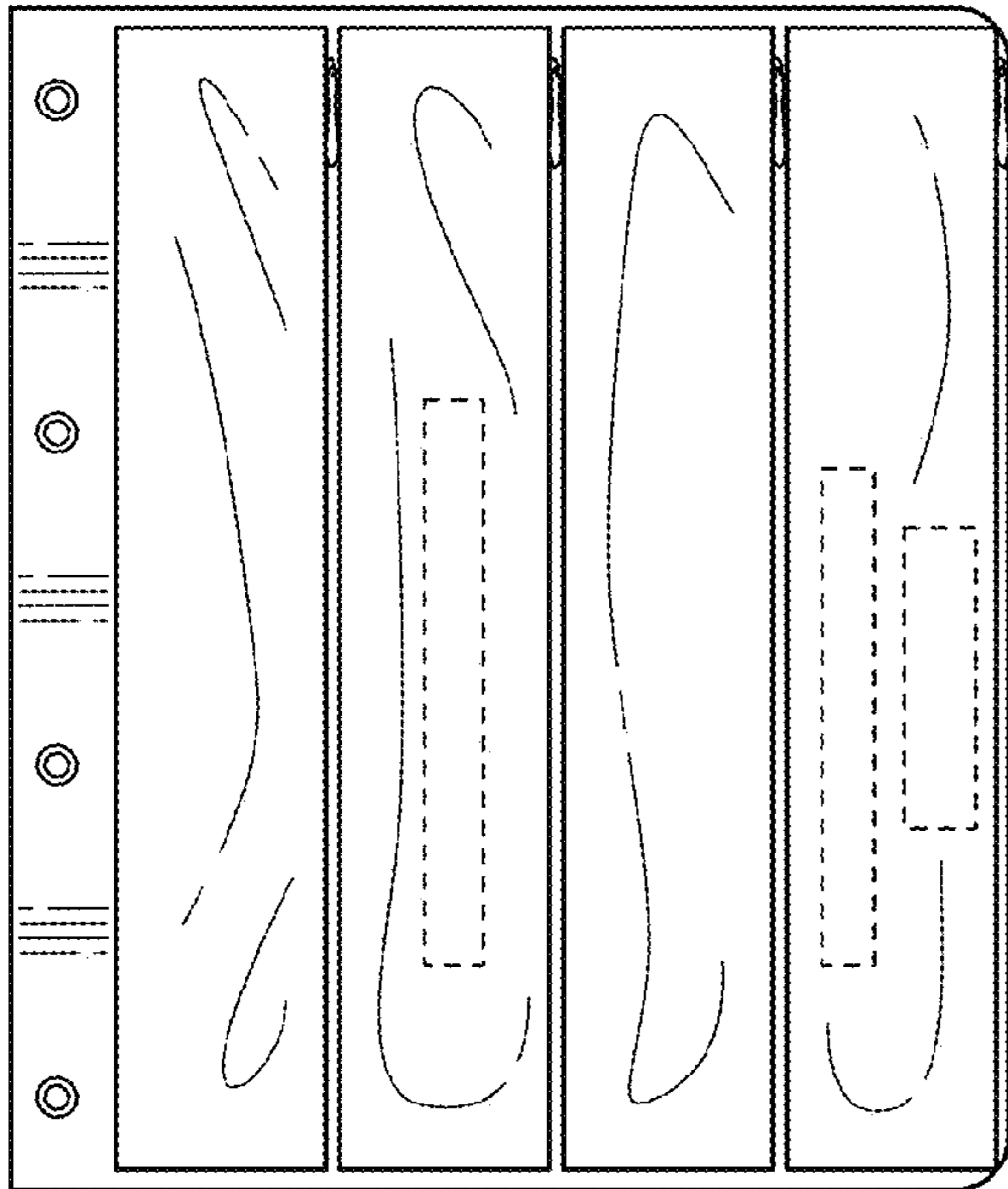


FIG. 16

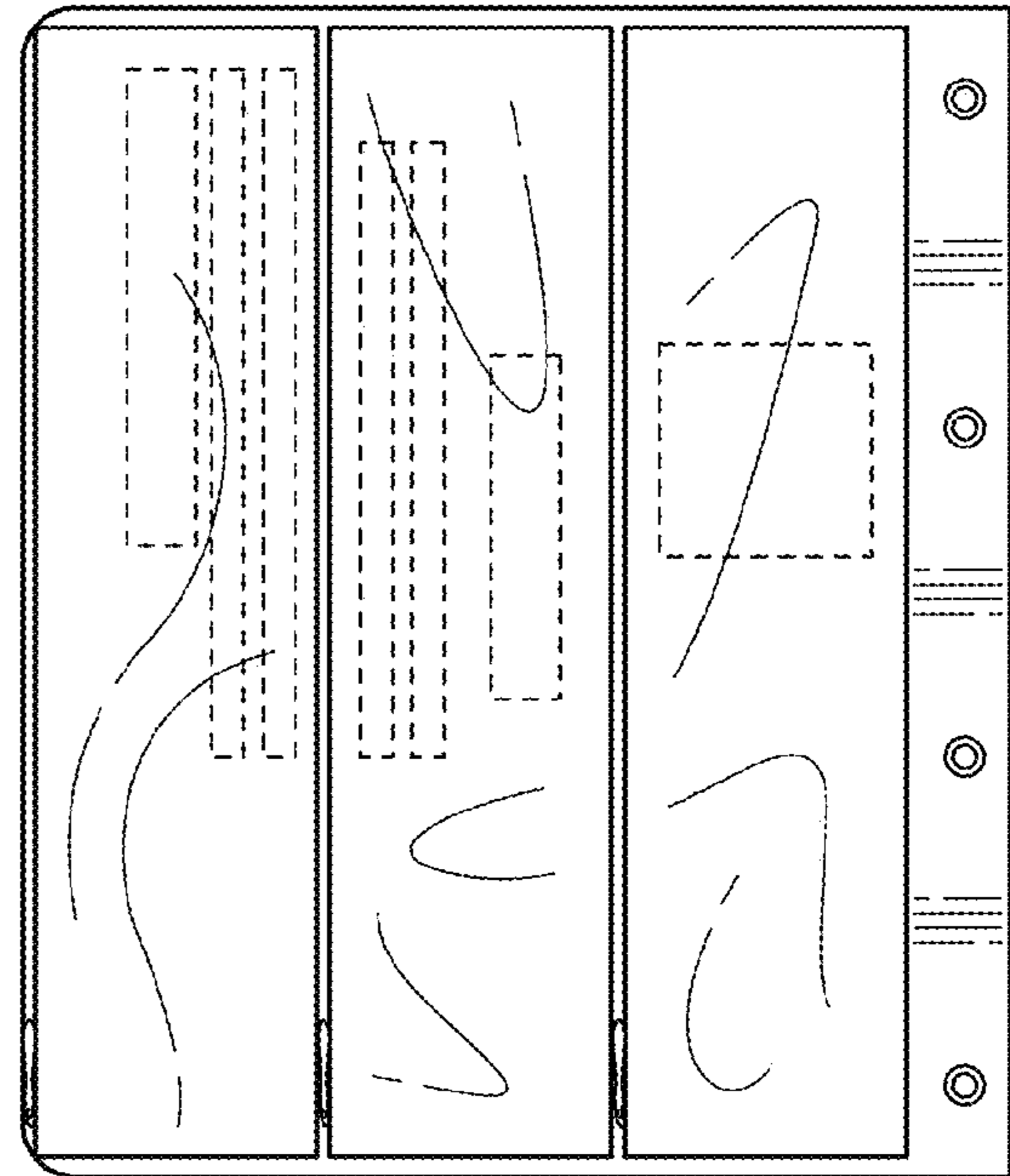


FIG. 18

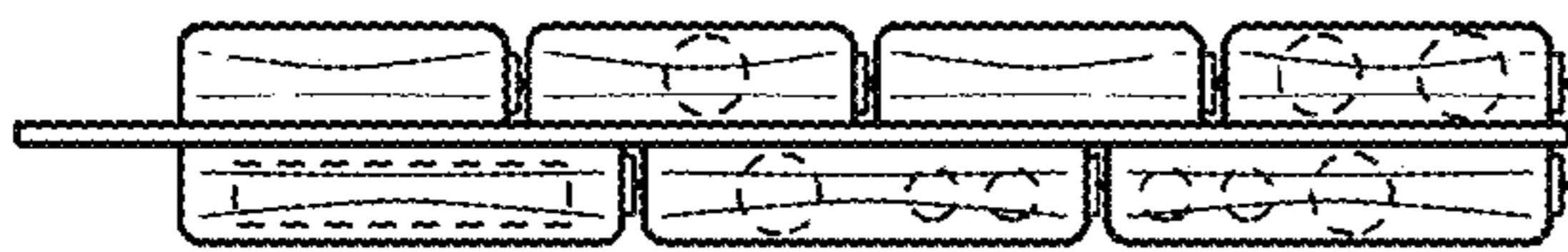


FIG. 17

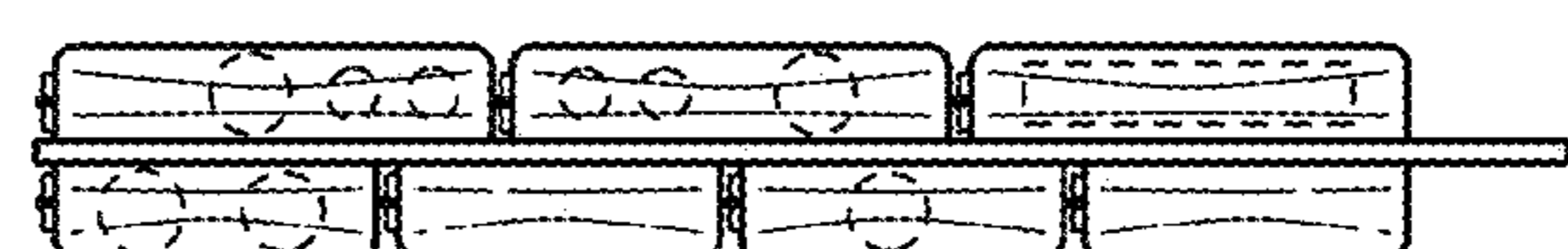


FIG. 19

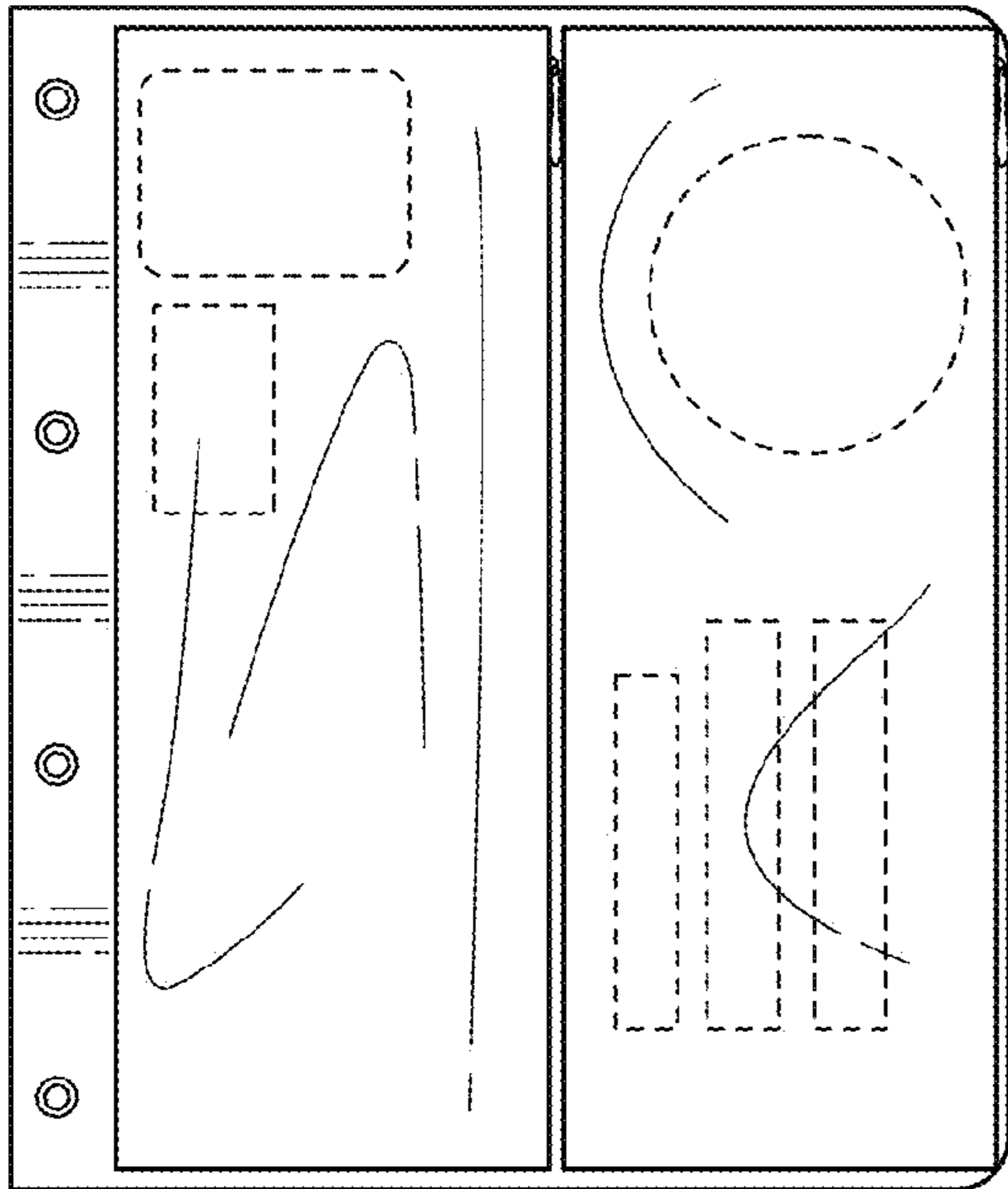


FIG. 20

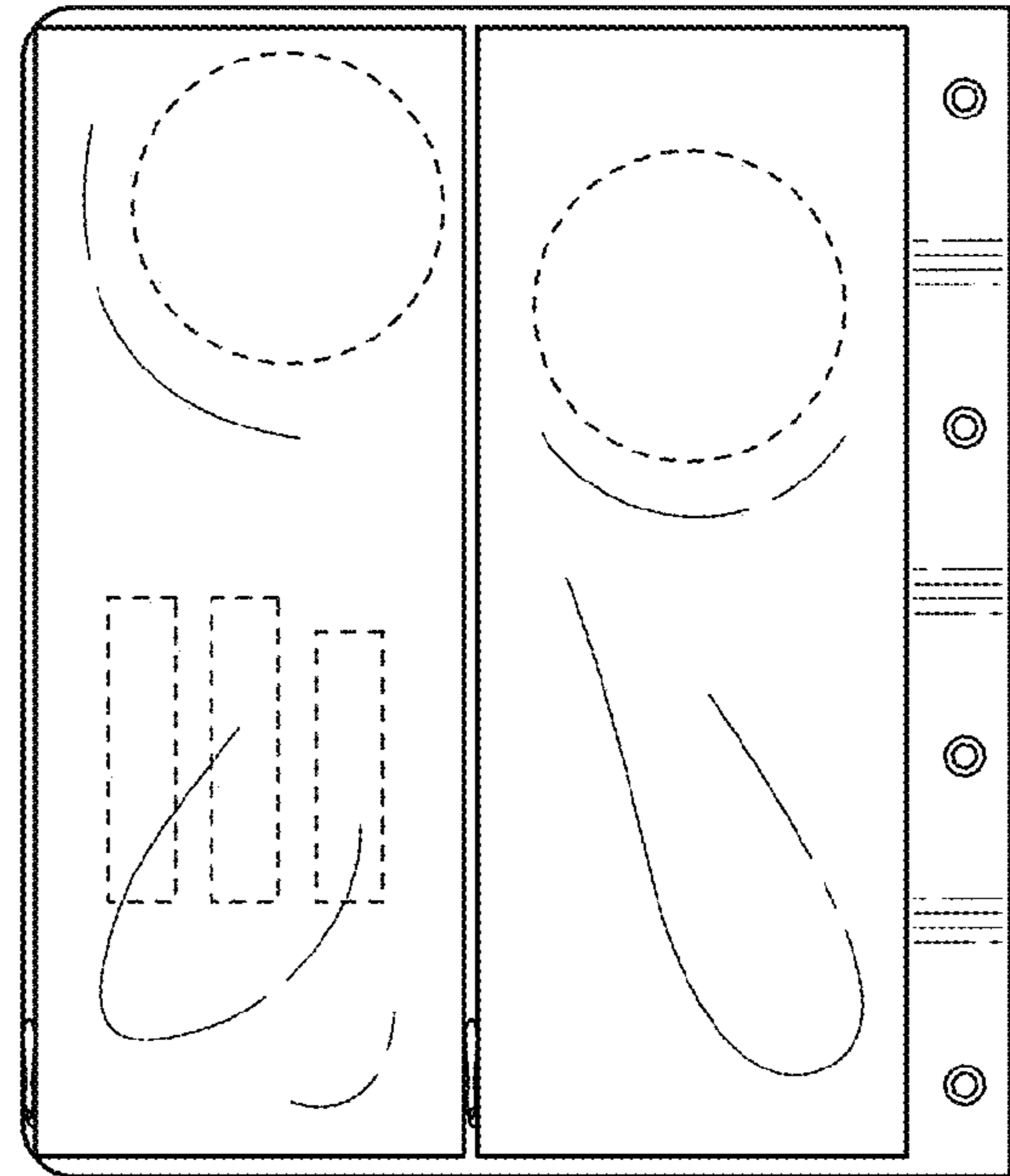


FIG. 22

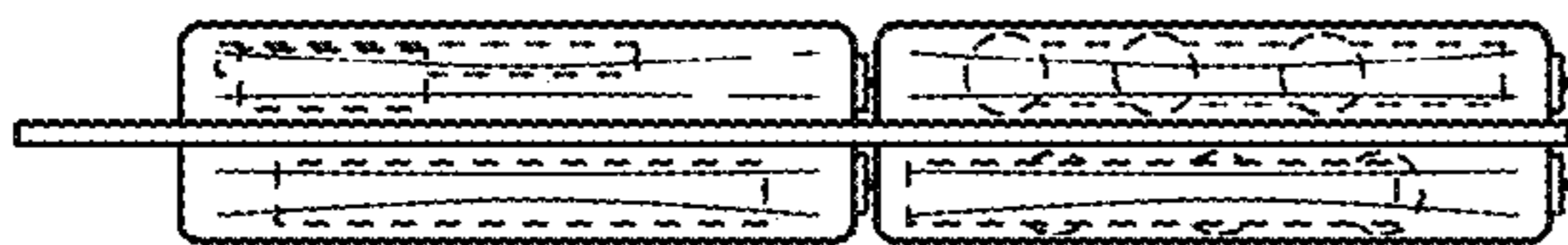


FIG. 21

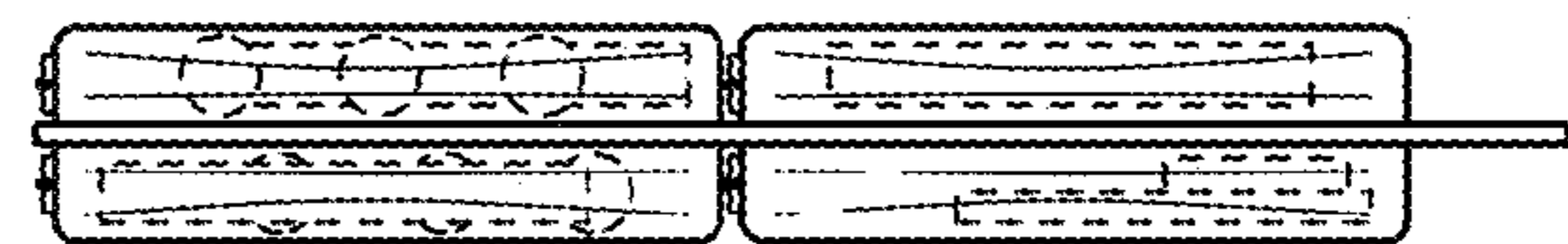


FIG. 23

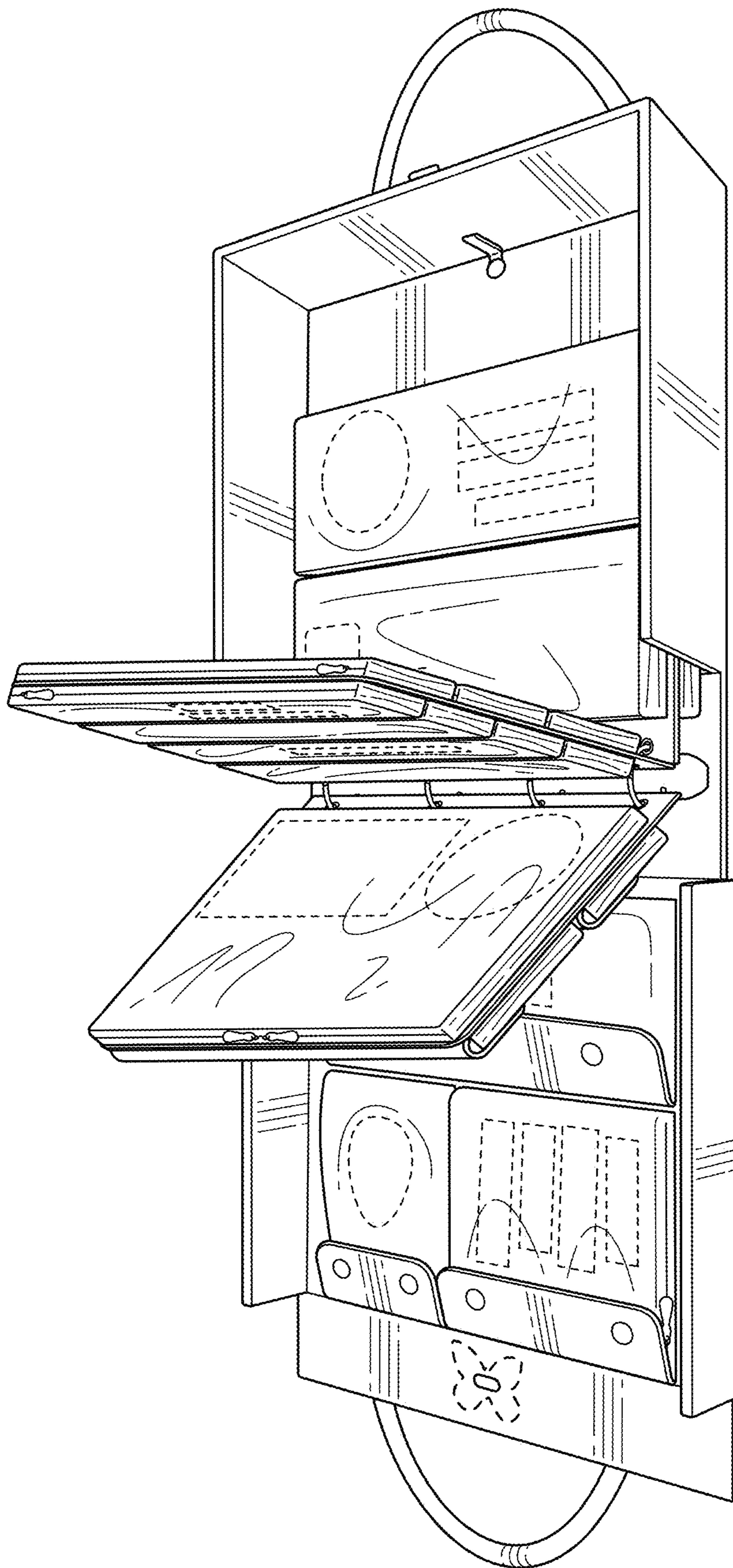


FIG. 24