



US00D965295S

(12) **United States Design Patent** (10) **Patent No.:** **US D965,295 S**
Chen (45) **Date of Patent:** **** Oct. 4, 2022**

(54) **TOOL BOX**

(71) Applicant: **MING SHIN TOOLS CO., LTD.**,
Taichung (TW)

(72) Inventor: **Yung-Shun Chen**, Taichung (TW)

(73) Assignee: **MING SHIN TOOLS CO., LTD.**,
Taichung (TW)

(**) Term: **15 Years**

(21) Appl. No.: **29/769,838**

(22) Filed: **Feb. 8, 2021**

(51) **LOC (13) Cl.** **03-01**

(52) **U.S. Cl.**
USPC **D3/276; D3/905; D3/294**

(58) **Field of Classification Search**
USPC **D3/262, 273, 276, 282, 284, 294, 298,**
D3/905
CPC ... **A45C 11/00; A45C 2013/026; B25H 3/003;**
B25H 3/02
See application file for complete search history.

(56) **References Cited**

U.S. PATENT DOCUMENTS

D619,808 S * 7/2010 Huang D3/276
D639,058 S * 6/2011 Chiu D3/905
D668,455 S * 10/2012 Chang D3/905
D677,465 S * 3/2013 Cenzano D3/276
D761,023 S * 7/2016 Tramontana D3/203.1
D792,708 S * 7/2017 Tazawa D3/276

D938,161 S * 12/2021 Lateef D99/28
D950,951 S * 5/2022 Yang D3/905
11,325,242 B1 * 5/2022 Chen B25H 3/022
2018/0126544 A1 * 5/2018 Chen B65D 45/24

OTHER PUBLICATIONS

Park Tool, "Blue Box Tool Case", First reviewed Jan. 8, 2021.
(<https://www.parktool.com/product/blue-box-tool-case-bx-2-2>) (Year:
2021).*

* cited by examiner

Primary Examiner — April Rivas

(74) *Attorney, Agent, or Firm* — Muncy, Geissler, Olds &
Lowe, P.C.

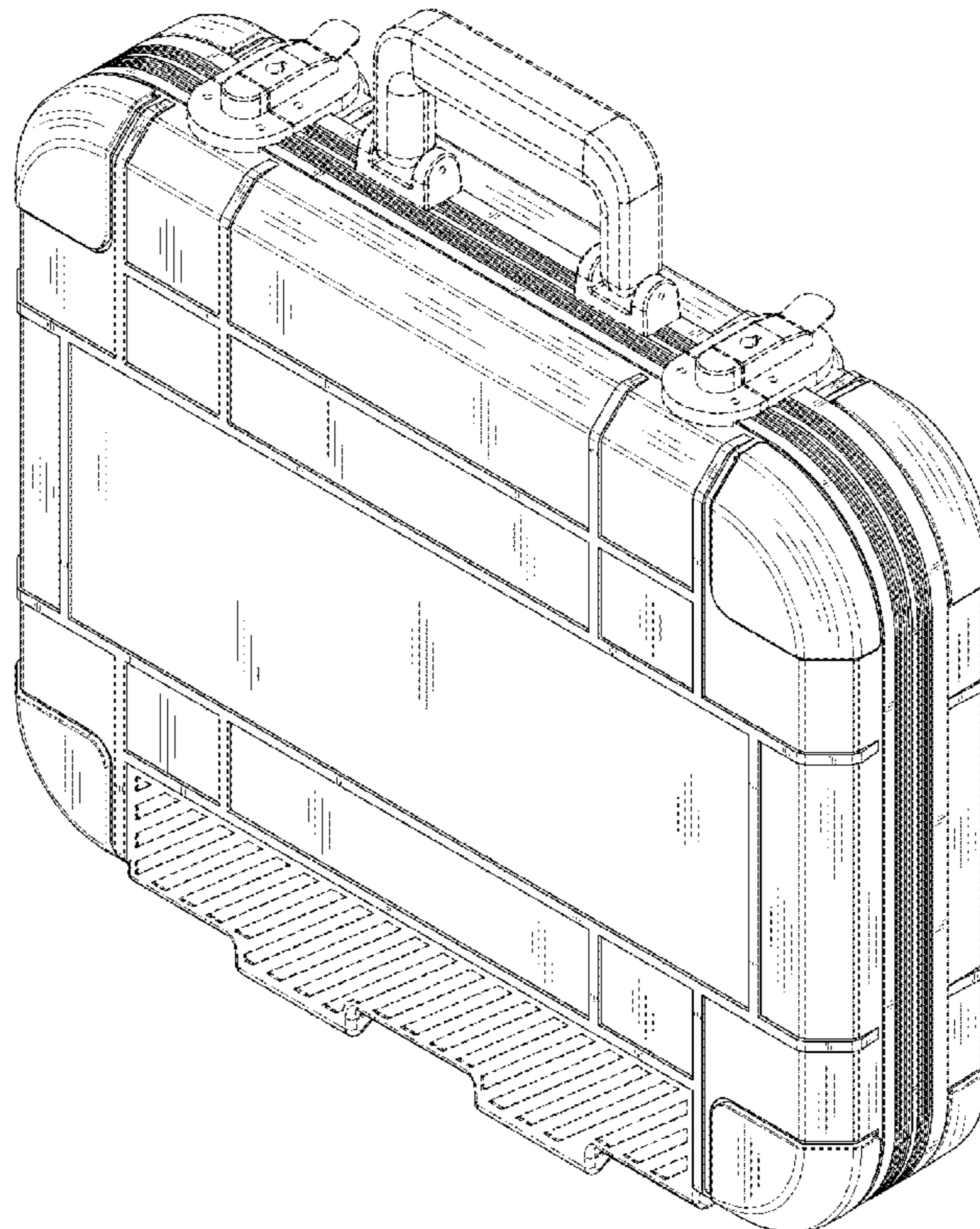
(57) **CLAIM**

I claim the ornamental design for a tool box, as shown and
described.

DESCRIPTION

FIG. 1 is a top, front, and right perspective view of a tool box
showing my new design;
FIG. 2 is a front elevational view thereof;
FIG. 3 is a rear elevational view thereof;
FIG. 4 is a left side view thereof;
FIG. 5 is a right side view thereof;
FIG. 6 is a top plan view thereof;
FIG. 7 is a bottom plan view thereof; and,
FIG. 8 is a top, rear, and right perspective view thereof.
The broken lines in the drawings illustrate portions of the
tool box which form no part of the claimed design.

1 Claim, 6 Drawing Sheets



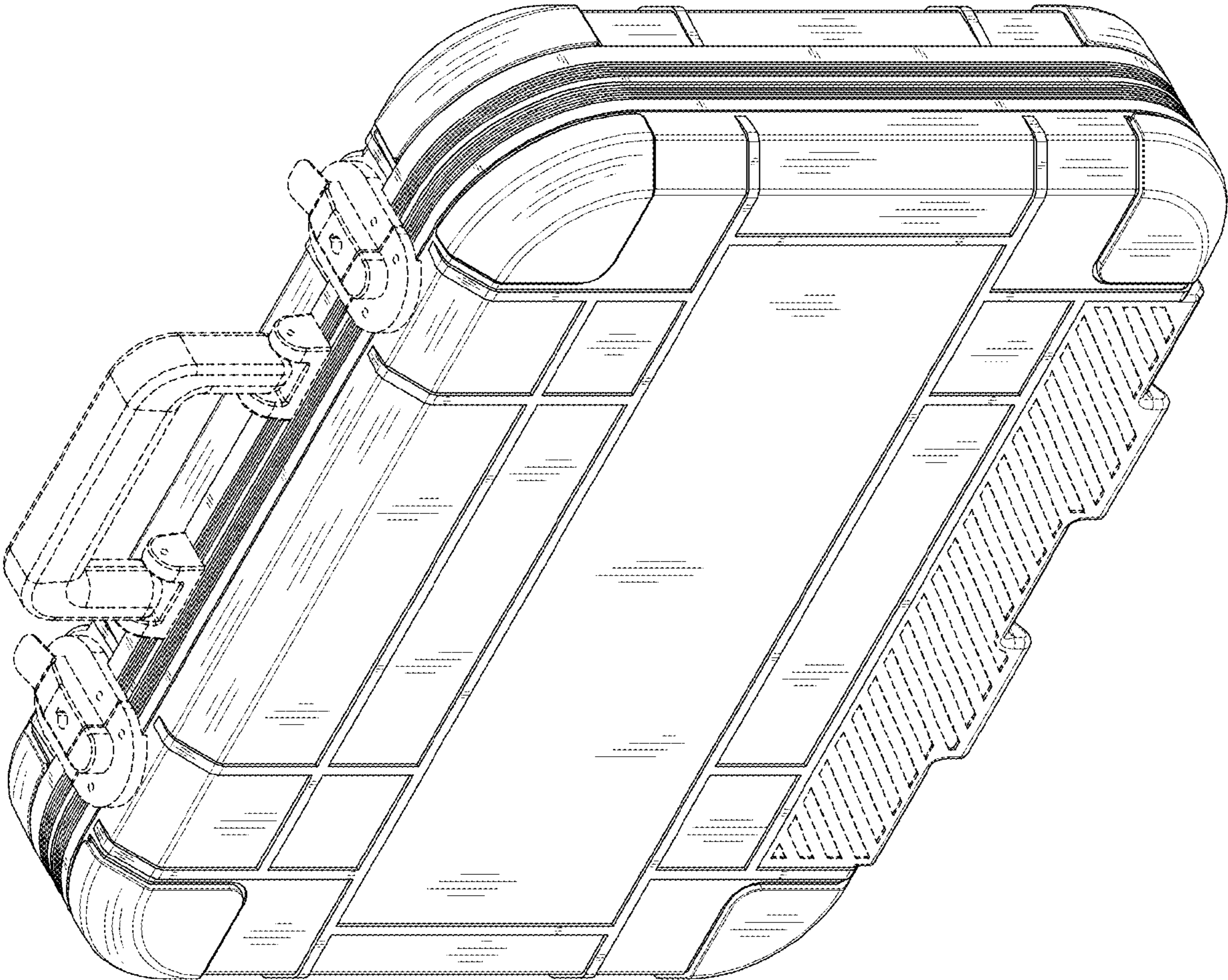


FIG. 1

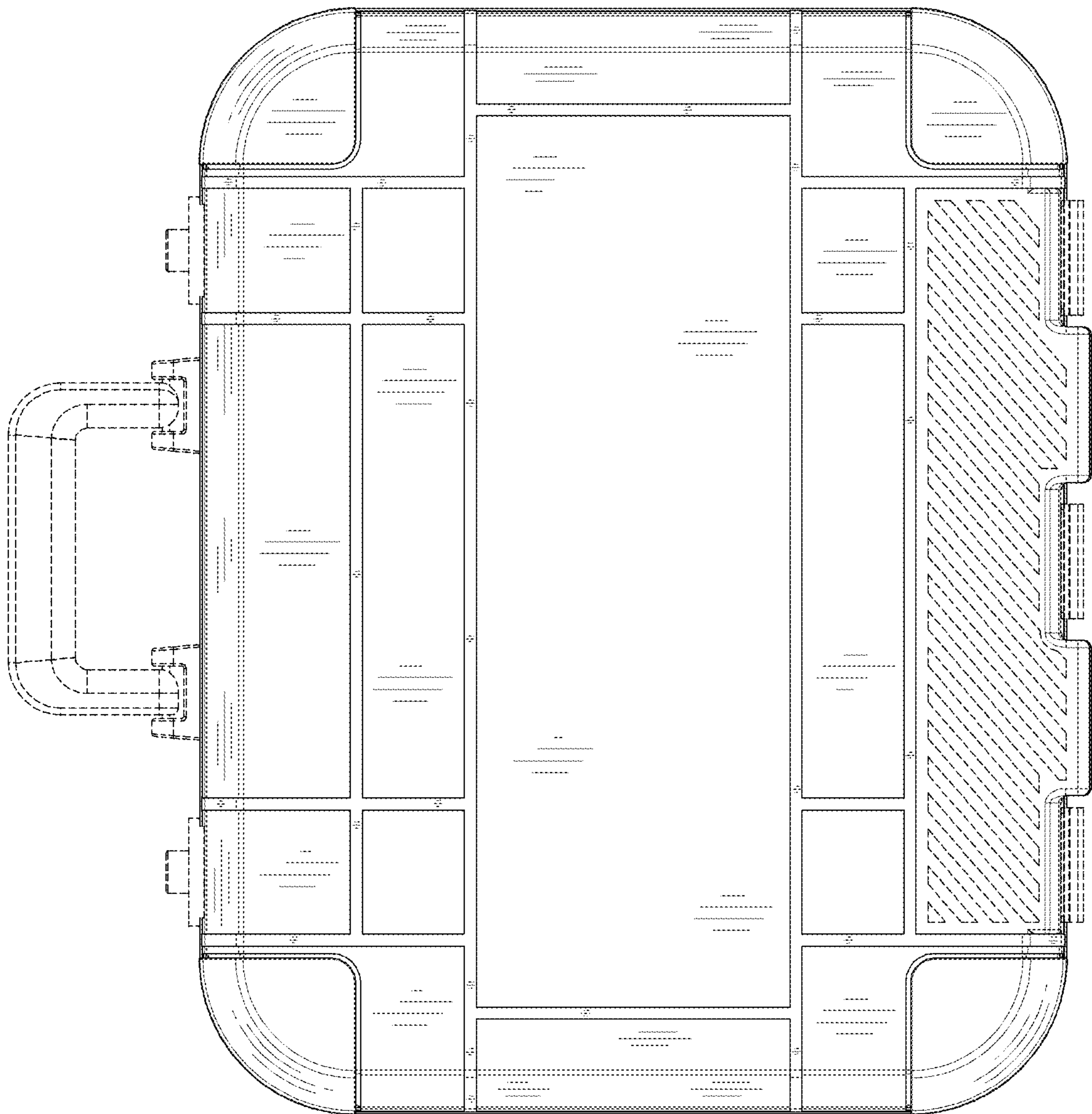


FIG. 2

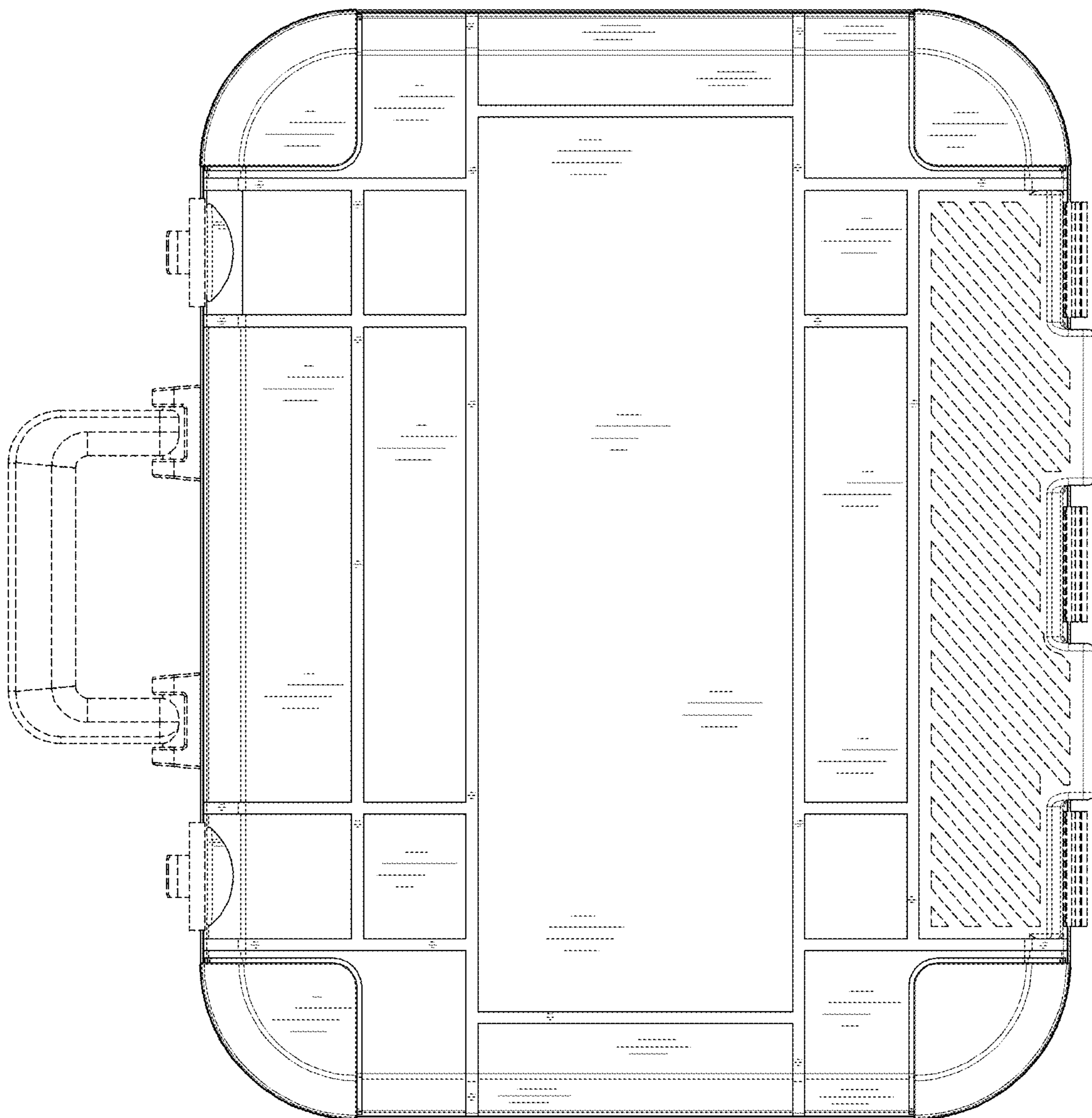


FIG. 3

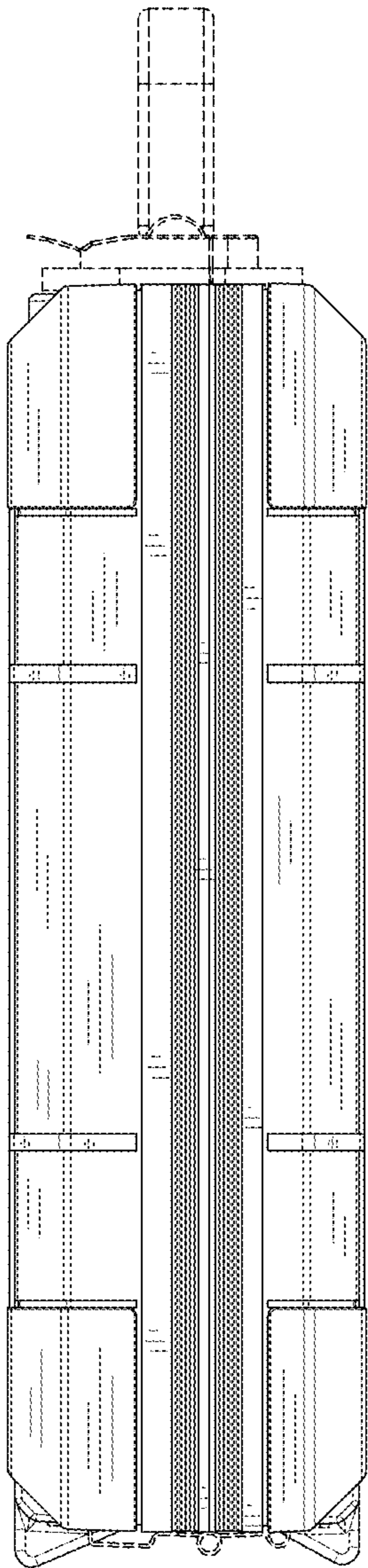


FIG. 4

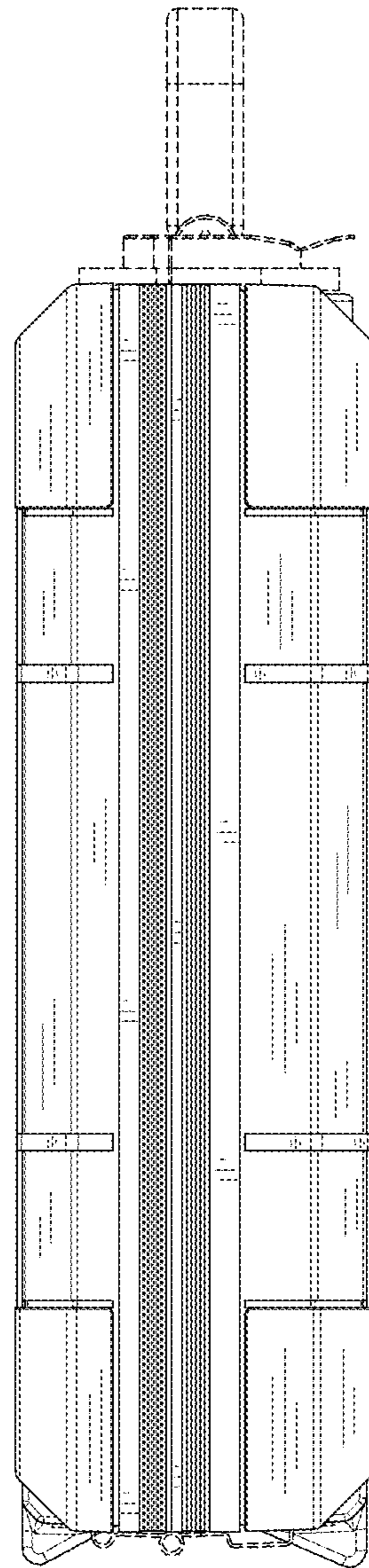


FIG. 5

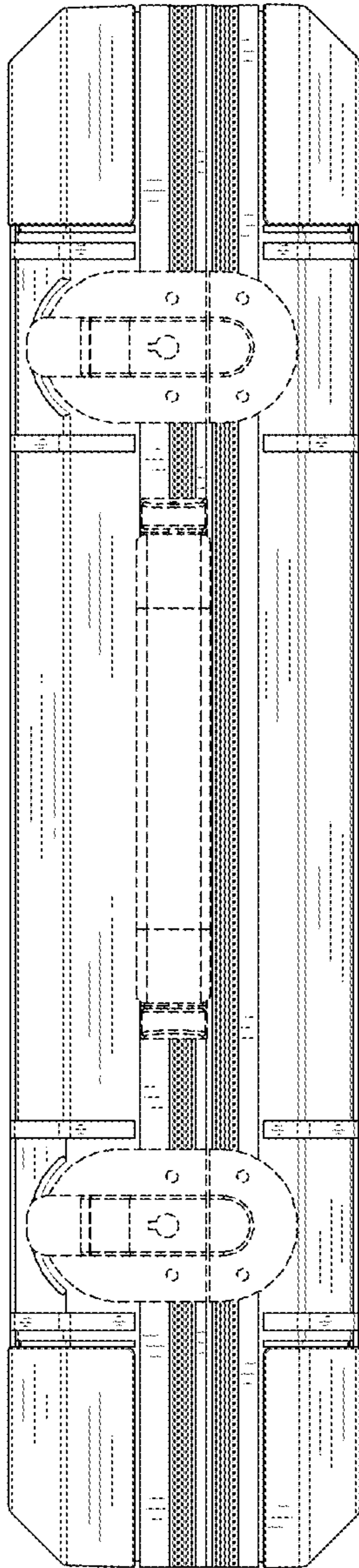


FIG. 6

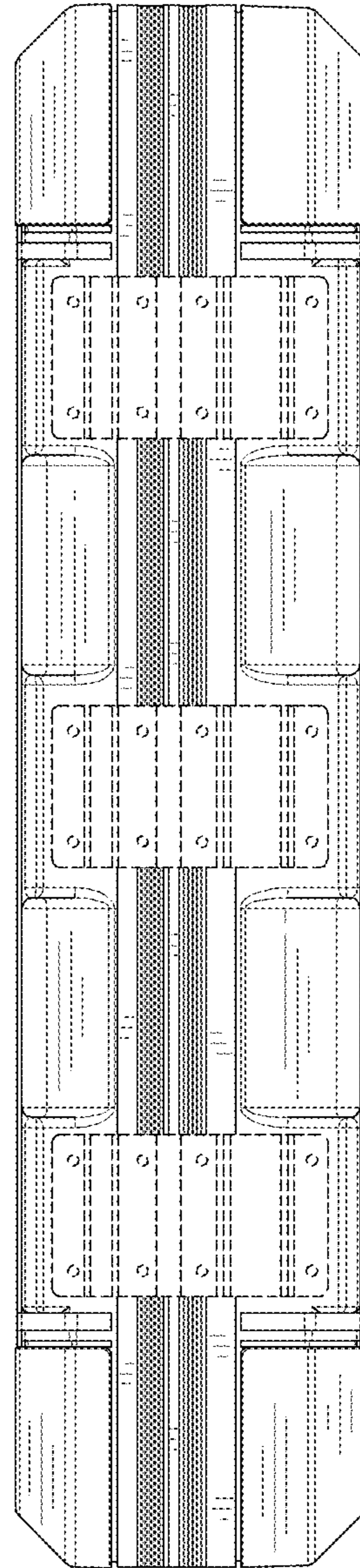


FIG. 7

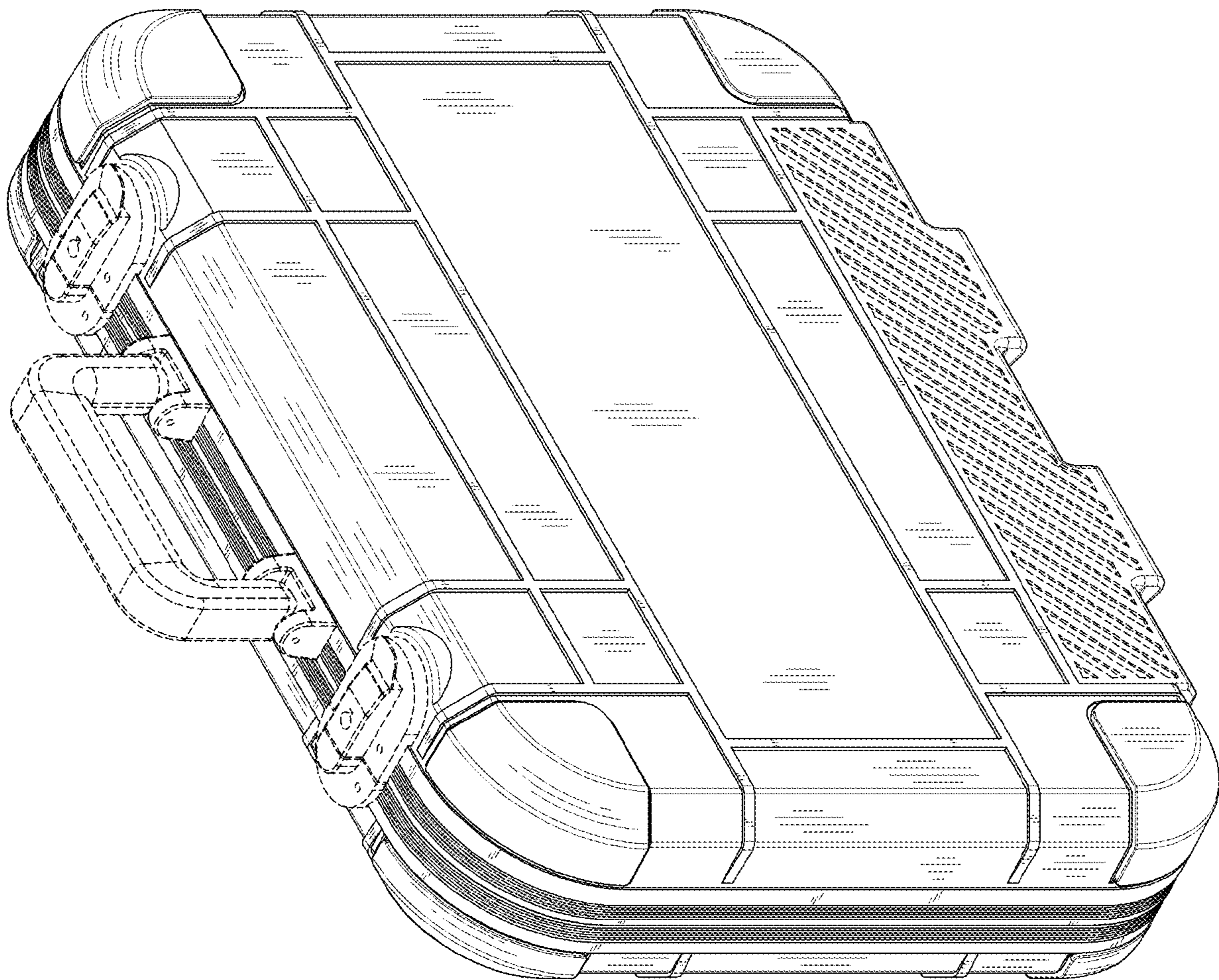


FIG. 8