



US00D965293S

(12) **United States Design Patent** (10) **Patent No.:** **US D965,293 S**  
**Kaldahl** (45) **Date of Patent:** **\*\* Oct. 4, 2022**

- (54) **AMMUNITION CONTAINER**
- (71) Applicant: **Jeffrey W. Kaldahl**, Denver, CO (US)
- (72) Inventor: **Jeffrey W. Kaldahl**, Denver, CO (US)
- (73) Assignee: **Jeffrey W. Kaldahl**, Denver, CO (US)
- (\*\*) Term: **15 Years**
- (21) Appl. No.: **29/781,376**
- (22) Filed: **Apr. 29, 2021**

**Related U.S. Application Data**

- (62) Division of application No. 29/612,756, filed on Aug. 3, 2017, now Pat. No. Des. 920,664.
- (51) **LOC (13) Cl.** ..... **03-01**
- (52) **U.S. Cl.**  
USPC ..... **D3/262**
- (58) **Field of Classification Search**  
USPC ..... D22/108; 206/3; D3/201, 215, 216, 217, D3/219, 221, 222, 223, 224, 225, 226, D3/227, 230, 232, 239, 254, 255, 256, D3/257, 258, 259, 260, 261, 262, 263, D3/265, 271.9, 271.11, 271.12, 273, 303, D3/274, 276, 282, 283, 284, 285, 286, D3/287, 288, 290, 291, 293, 294, 295  
CPC ..... F42B 39/26; F42B 39/02; F42B 39/28; F41A 29/00; F41A 29/02; F41A 29/04  
See application file for complete search history.

(56) **References Cited**

**U.S. PATENT DOCUMENTS**

- D525,789 S \* 8/2006 Hosking ..... D3/281
- D577,928 S \* 10/2008 Wong ..... D3/295
- 8,453,796 B2 \* 6/2013 Astor ..... E06C 7/14  
182/129
- D741,597 S \* 10/2015 Minneman ..... D3/262
- D777,426 S \* 1/2017 Dahl ..... D3/262
- D798,054 S \* 9/2017 Shpitzer ..... D3/283

- D804,177 S \* 12/2017 Zemel ..... D3/295
- D809,779 S \* 2/2018 Muriithi ..... D3/203.3
- 2013/0307214 A1 \* 11/2013 Groller ..... A63F 3/00895  
273/148 R
- 2016/0251124 A1 \* 9/2016 Arnold ..... B65D 43/162  
220/324

\* cited by examiner

*Primary Examiner* — Mary Shannon Malley

(74) *Attorney, Agent, or Firm* — Polsinelli PC; David R. Mika

(57) **CLAIM**

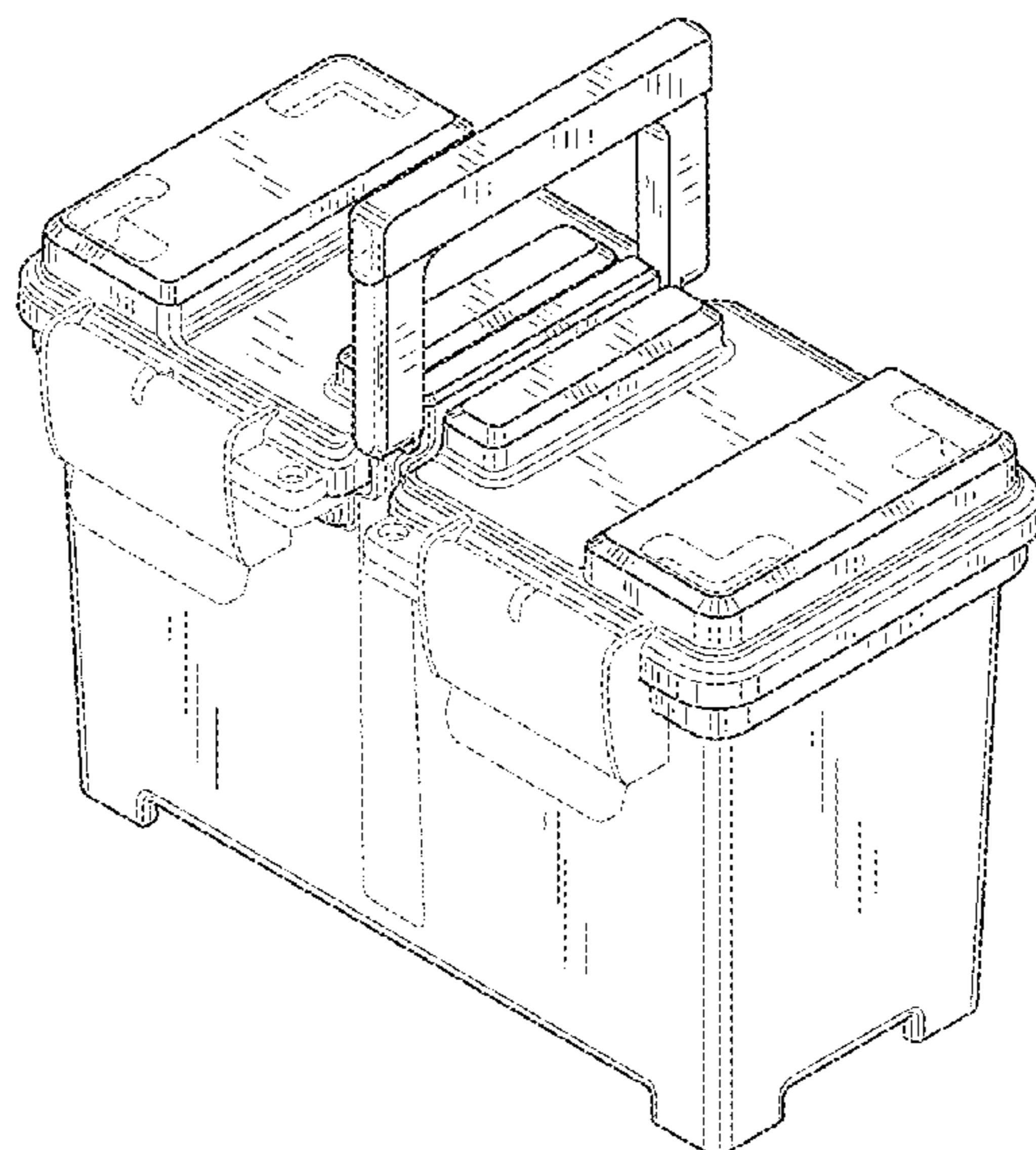
The ornamental design for an ammunition container, as shown and described.

**DESCRIPTION**

FIG. 1 is a front isometric view of an ammunition container shown in a first configuration;  
 FIG. 2 is a front isometric view thereof, shown in a second configuration;  
 FIG. 3 is a front elevation view of the ammunition container of FIG. 2;  
 FIG. 4 is a rear elevation view of the ammunition container of FIG. 2;  
 FIG. 5 is a side elevation view of the ammunition container of FIG. 1;  
 FIG. 6 is a top plan view of the ammunition container of FIG. 1;  
 FIG. 7 is a bottom plan view of the ammunition container of FIG. 1;  
 FIG. 8 is a front isometric view of the ammunition container shown in a third configuration;  
 FIG. 9 is a high angle side view thereof; and,  
 FIG. 10 is a rear isometric view thereof.

The dash-dash broken lines depict portions of the ammunition container that do not form part of the claimed design. The dot-dot broken lines depict the boundaries of the claimed design and form no part thereof.

**1 Claim, 10 Drawing Sheets**



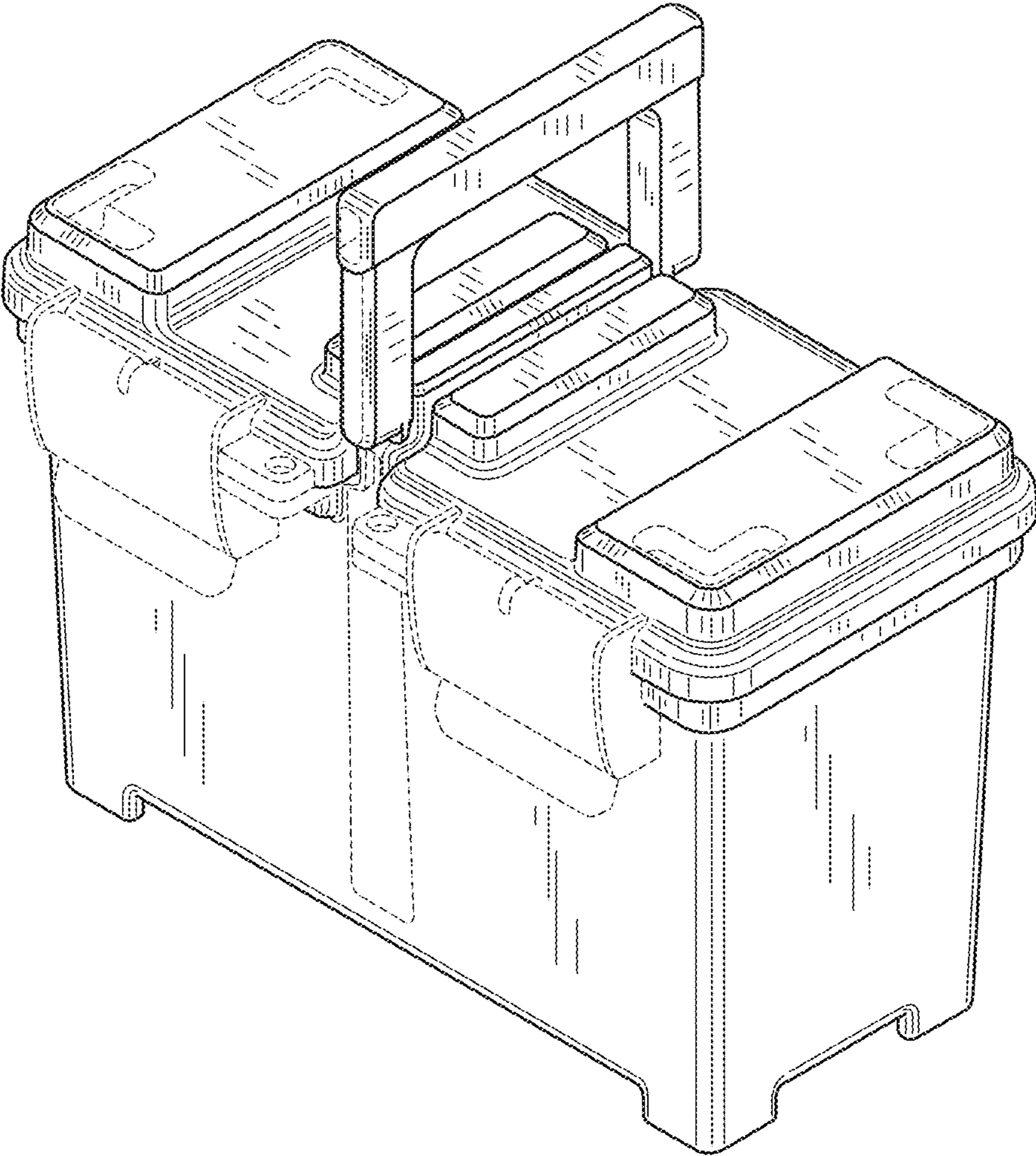


FIG. 1

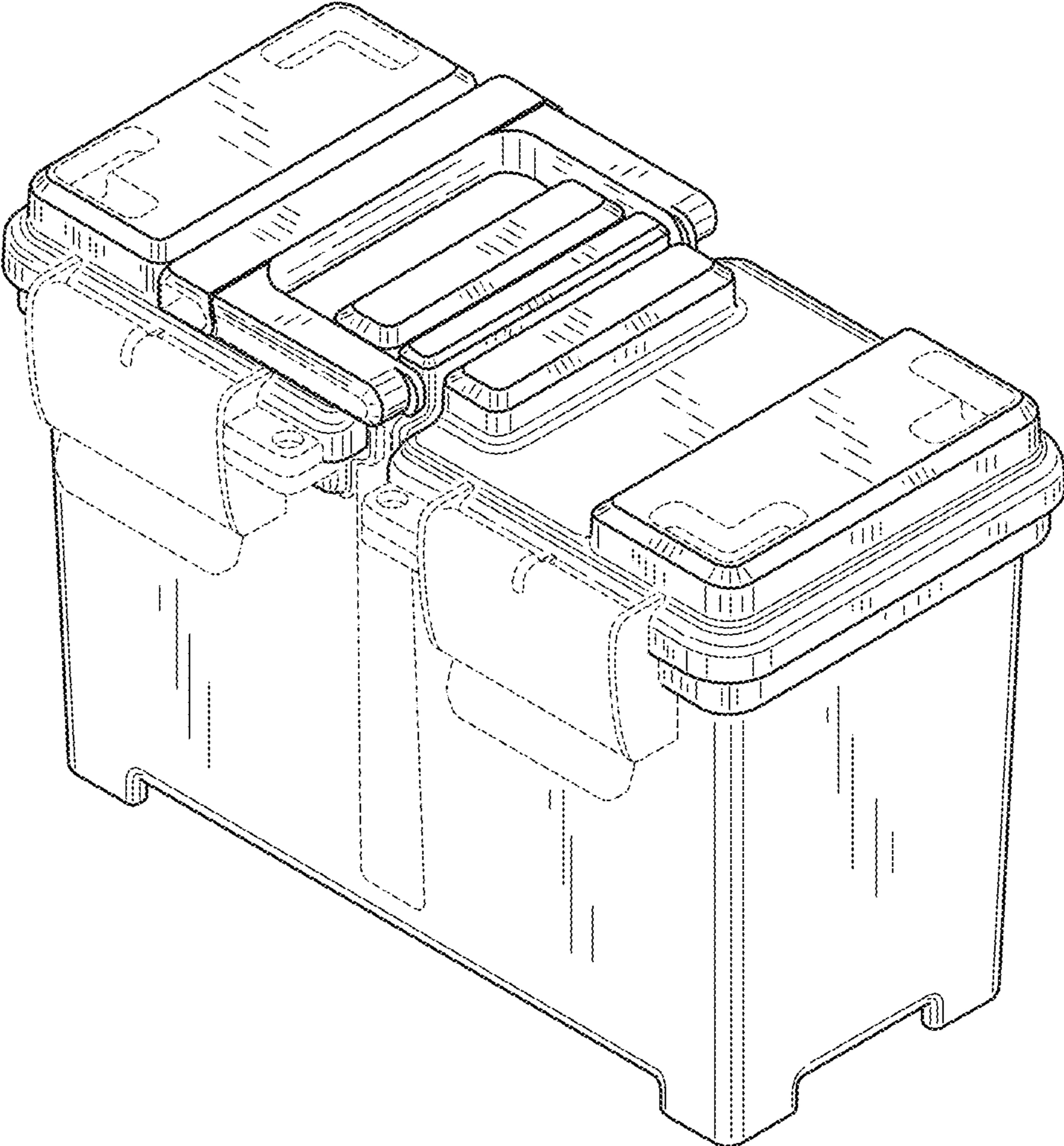


FIG.2

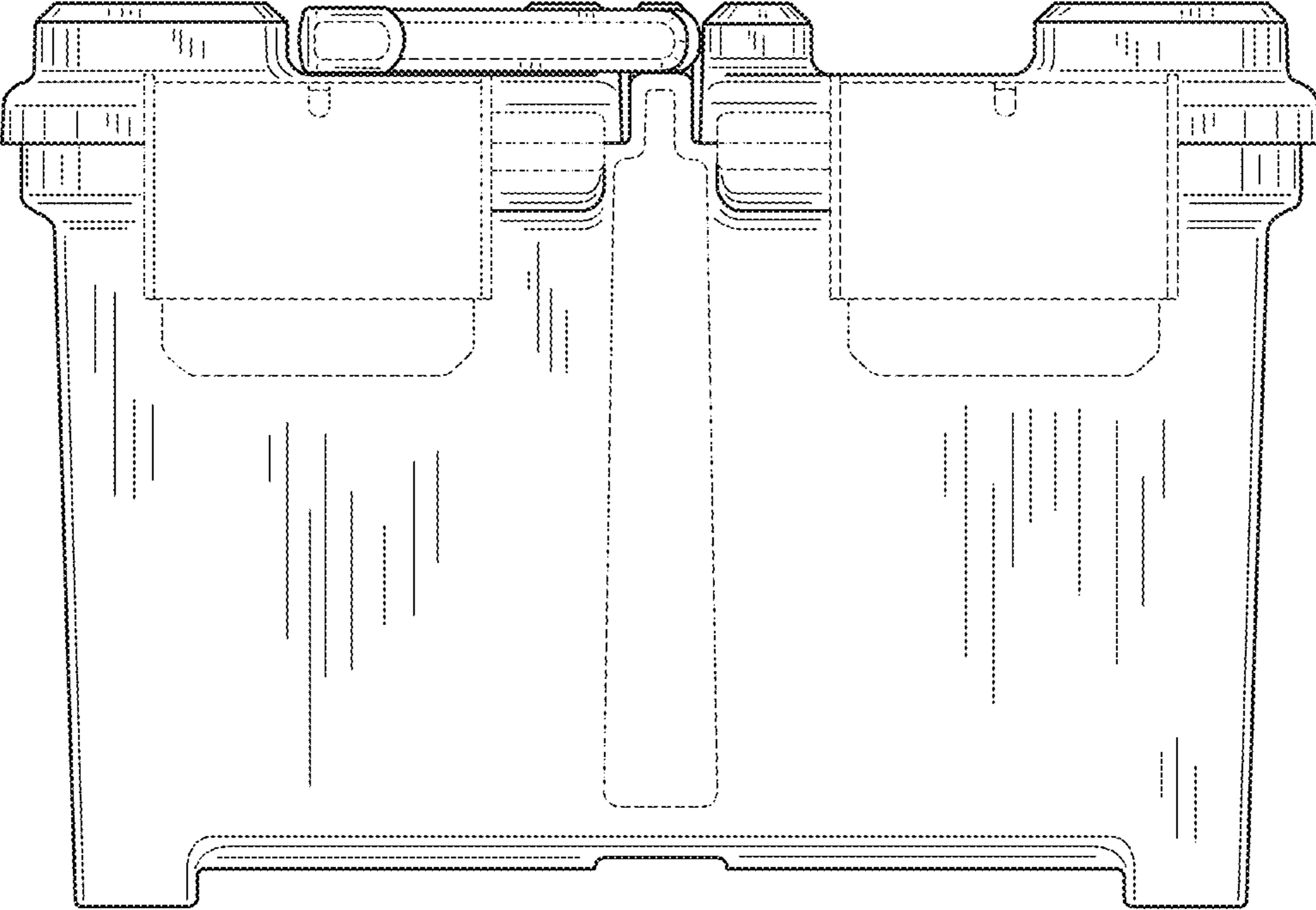


FIG.3

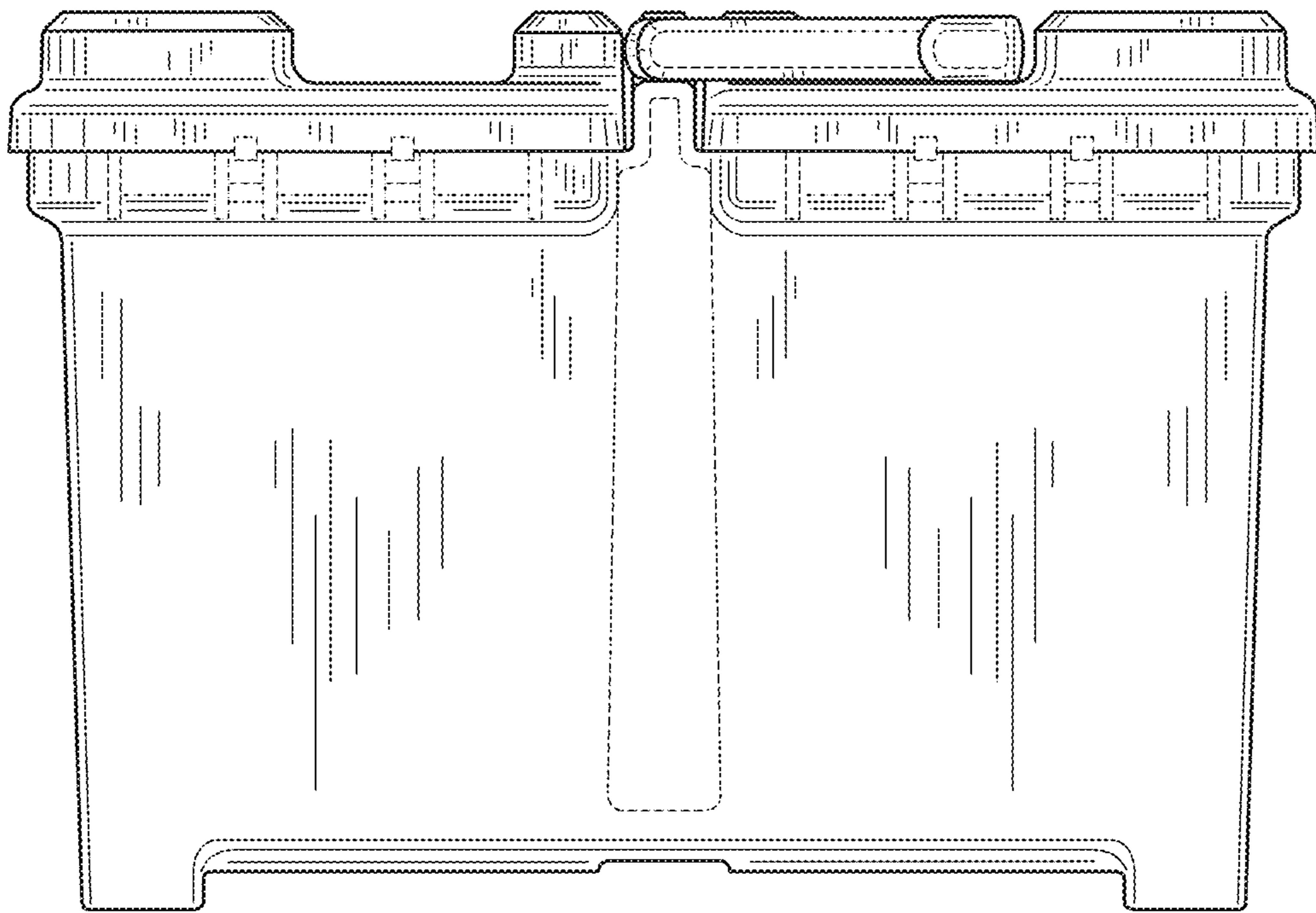


FIG.4

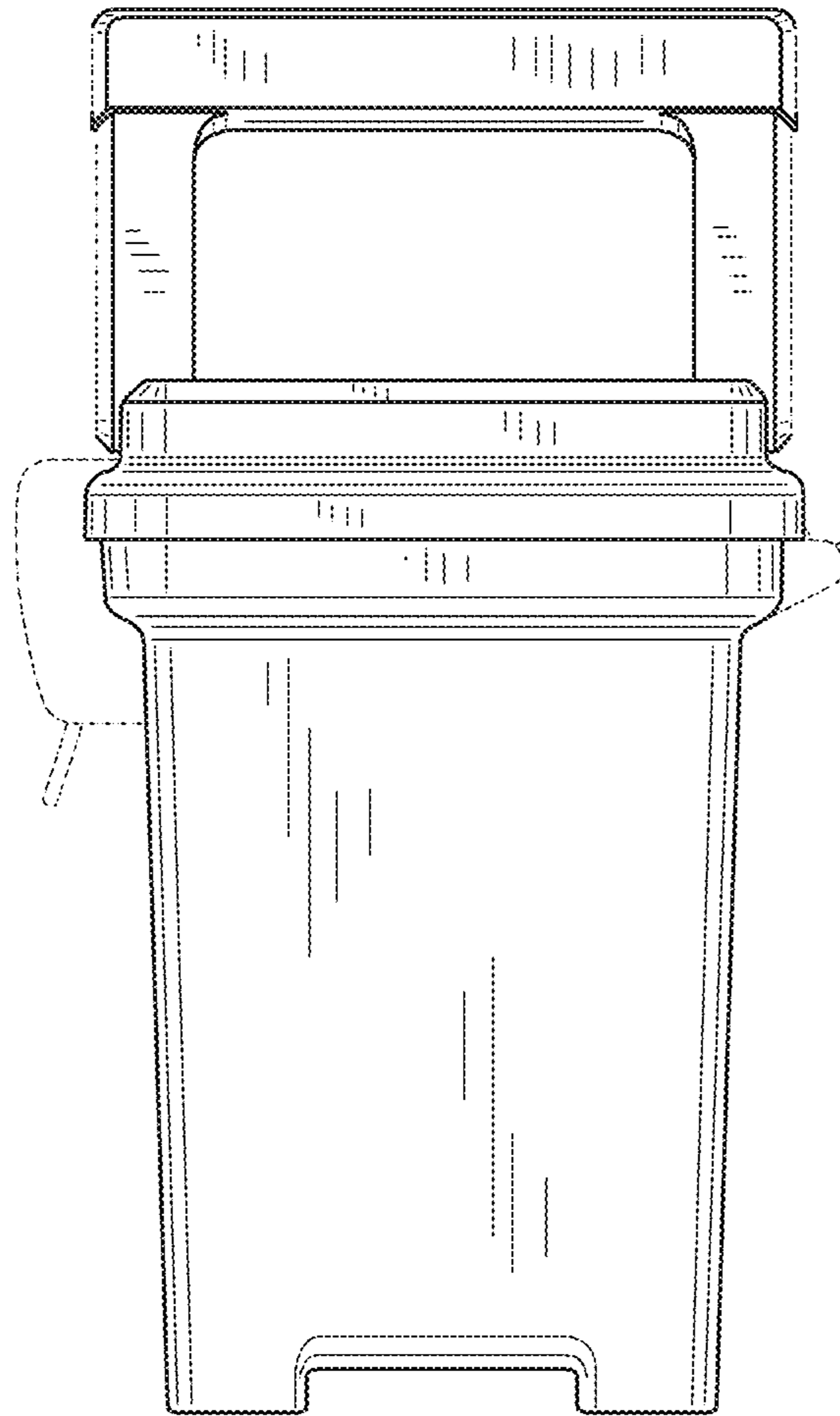


FIG.5

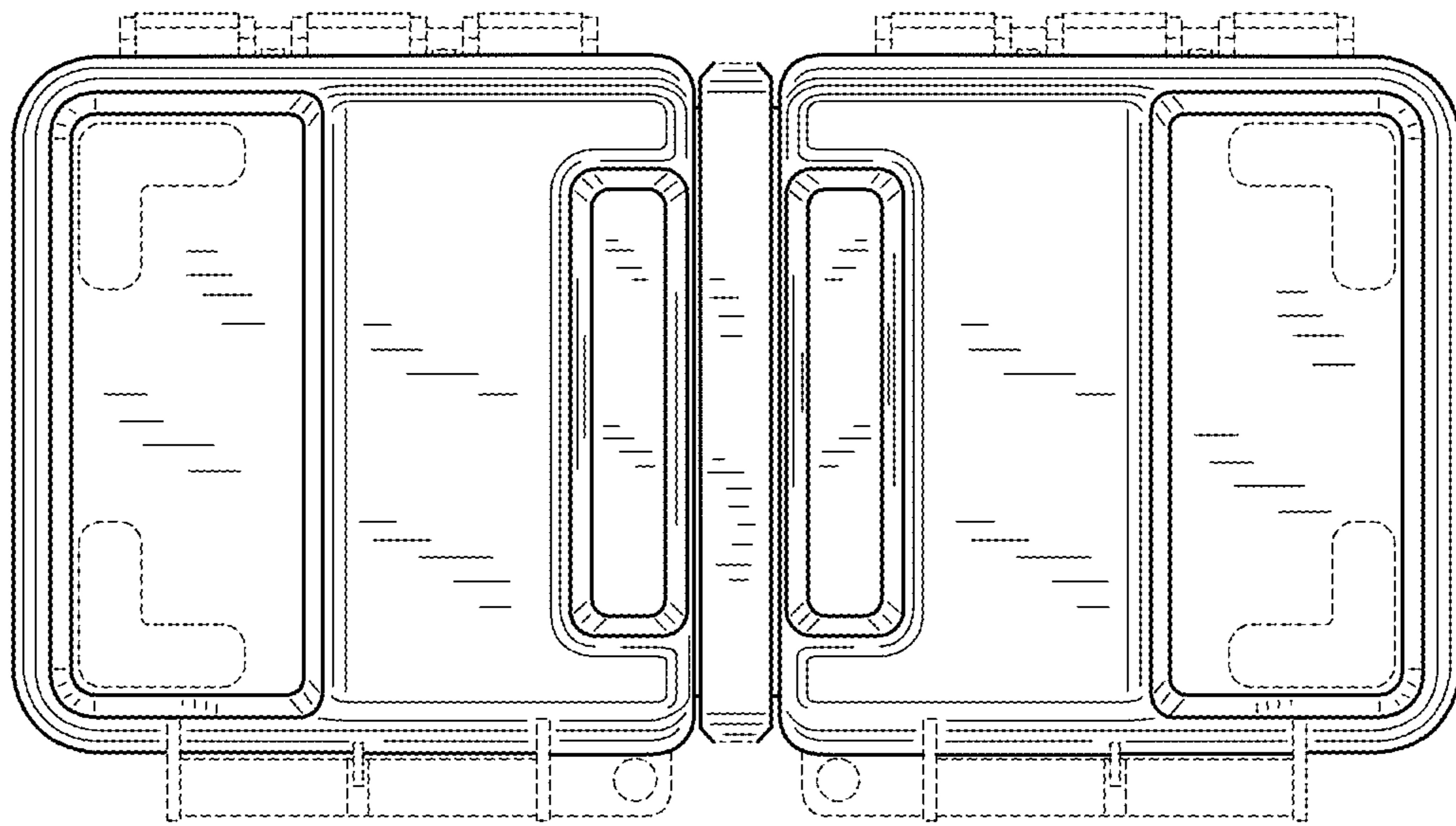


FIG.6

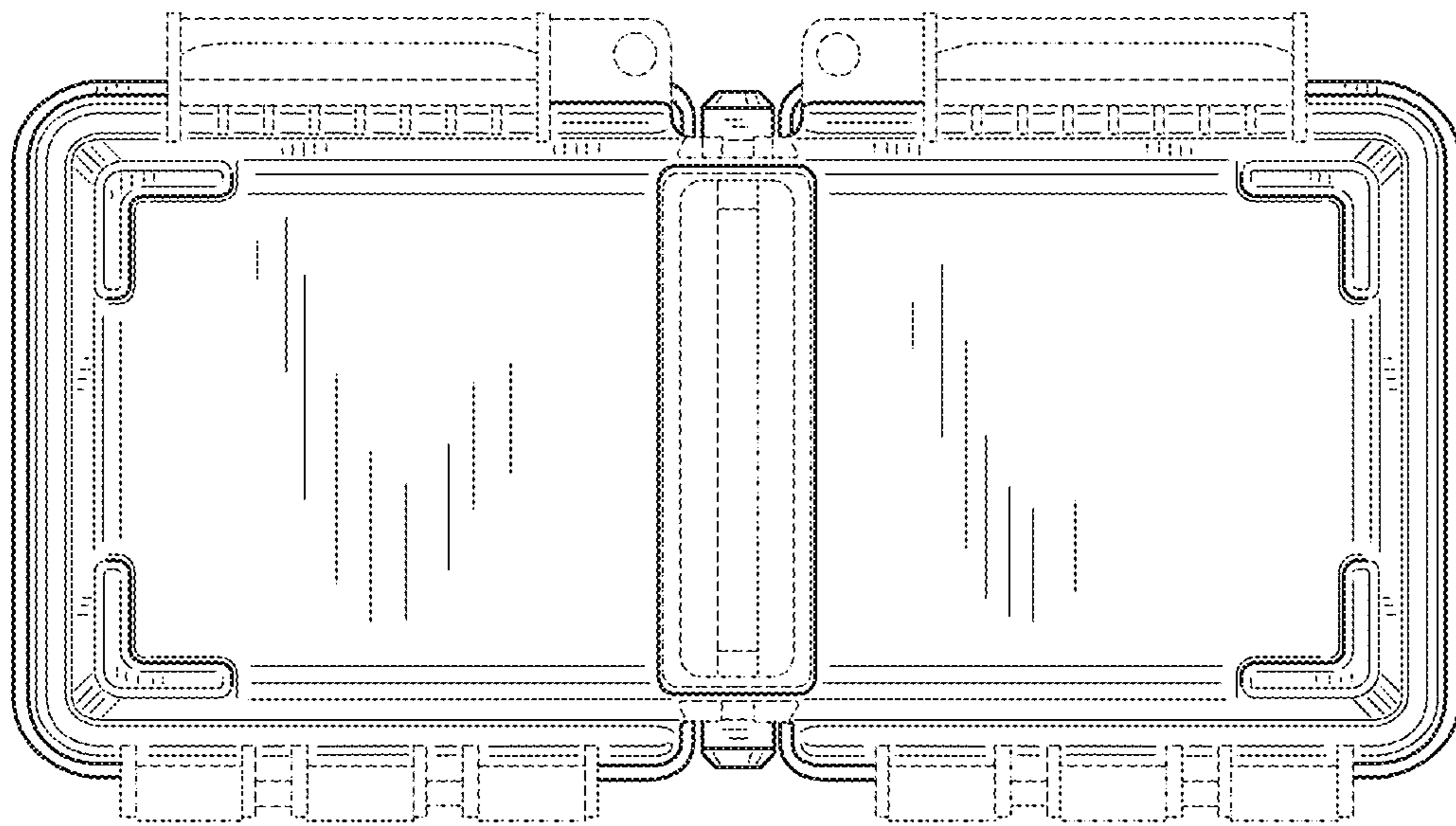


FIG.7



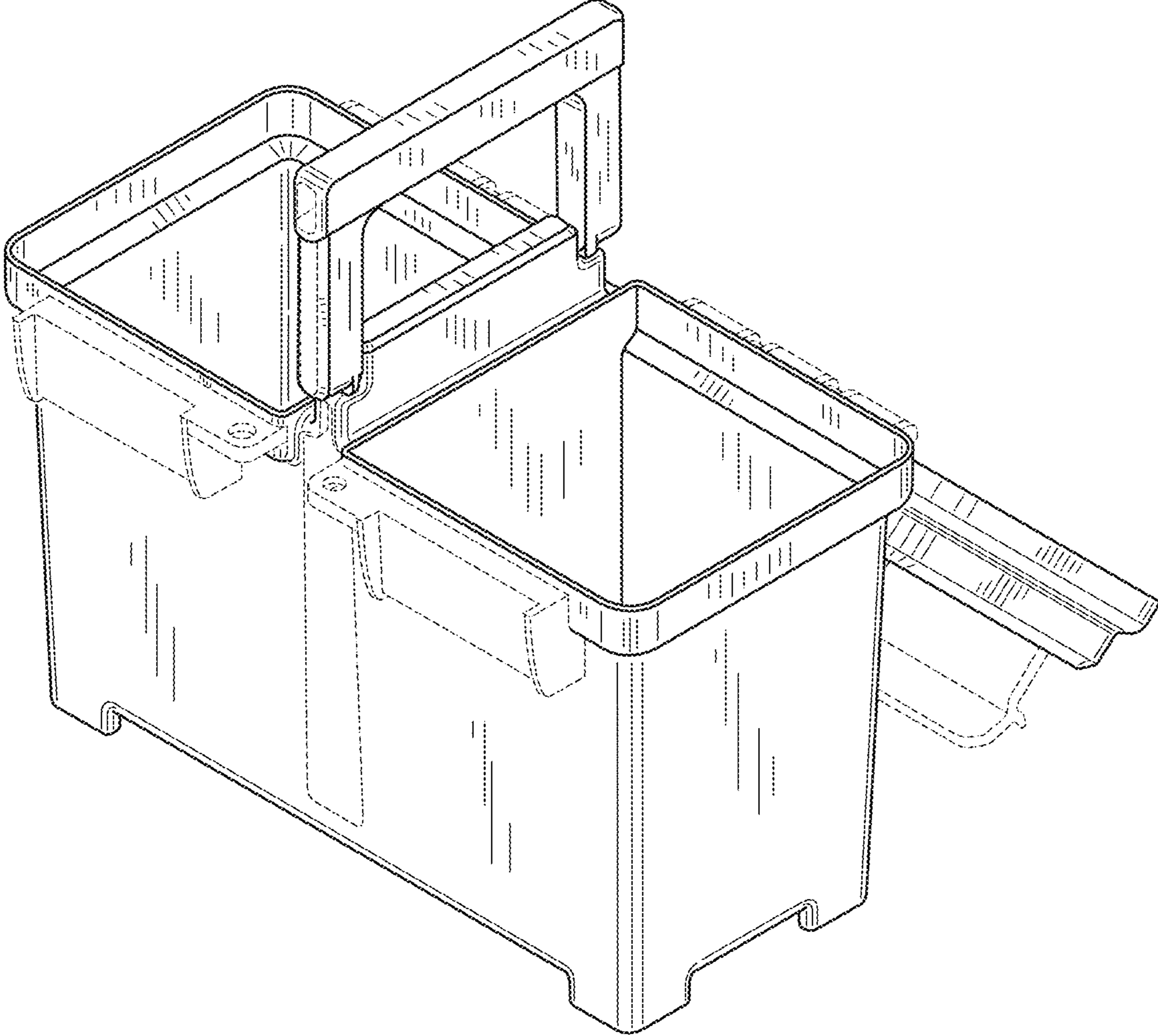


FIG.8

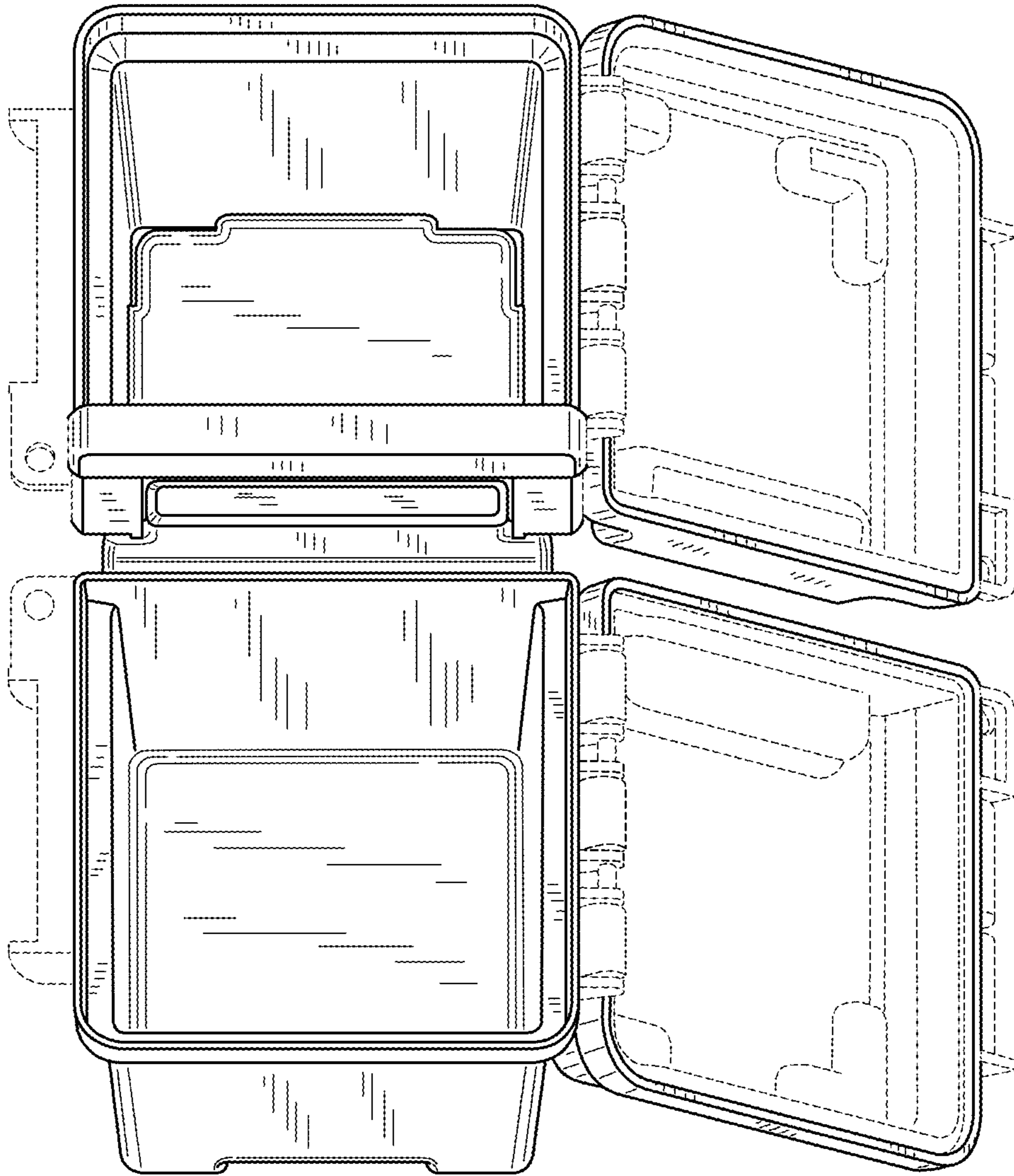


FIG.9

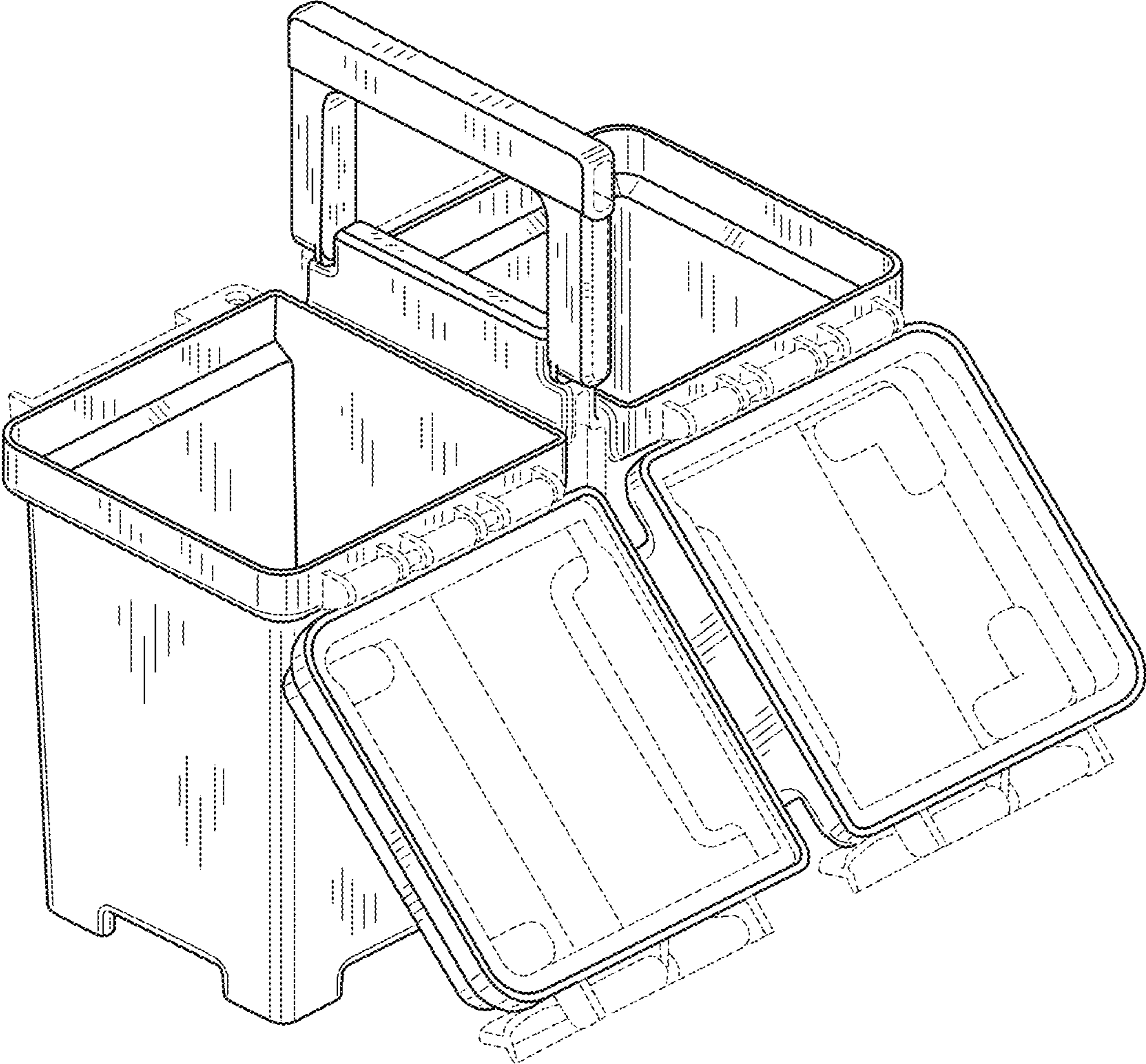


FIG.10