



US00D965292S

(12) **United States Design Patent**  
**Zhang**

(10) **Patent No.:** **US D965,292 S**

(45) **Date of Patent:** **\*\* Oct. 4, 2022**

(54) **TOTE BAG**

(71) Applicant: **Pan Zhang**, Guangdong (CN)

(72) Inventor: **Pan Zhang**, Guangdong (CN)

(\*\*) Term: **15 Years**

(21) Appl. No.: **29/704,523**

(22) Filed: **Sep. 5, 2019**

(30) **Foreign Application Priority Data**

Jul. 25, 2019 (CN) ..... 201930399107.1

(51) **LOC (13) Cl.** ..... **03-01**

(52) **U.S. Cl.**

USPC ..... **D3/246**

(58) **Field of Classification Search**

USPC ..... D3/226-233, 239-246

CPC .. A45C 1/00; A45C 1/02; A45C 11/00; A45C

15/00; A45C 15/02; A45C 15/04; A45C

15/06; A45C 15/08

See application file for complete search history.

(56) **References Cited**

**U.S. PATENT DOCUMENTS**

D124,330 S *	12/1940	Passoff	.....	D3/241
D416,677 S *	11/1999	Christman	.....	D3/246
D426,060 S *	6/2000	Chapelier	.....	D3/246
D433,803 S *	11/2000	Haapala	.....	D3/246
D441,529 S *	5/2001	Guyon	.....	D3/246
D525,783 S *	8/2006	Martilla	.....	D3/241
D549,400 S *	8/2007	Gold	.....	D3/232
D577,192 S *	9/2008	Bellini	.....	D3/234
D579,657 S *	11/2008	Hermann	.....	D3/246
D582,672 S *	12/2008	Gonzalez	.....	D3/245
D658,873 S *	5/2012	Guyon	.....	D3/245
D752,860 S *	4/2016	Barilaro	.....	D3/232
D881,561 S *	4/2020	He	.....	D3/245

D895,275 S *	9/2020	Zhang	.....	D3/245
D913,688 S *	3/2021	Zeller	.....	D3/243
D917,164 S *	4/2021	Zhang	.....	D3/245

(Continued)

**FOREIGN PATENT DOCUMENTS**

CA	182924	*	6/2020
JP	D1361063	*	6/2009

(Continued)

**OTHER PUBLICATIONS**

Woman Laptop Tote Bag, available at amazon.com, earliest date available Jul. 25, 2019 [online], site visited Jun. 17, 2022, available from the internet URL: <https://www.amazon.com/Woman-Laptop-Teacher-Large-Purse/dp/B0861QGYWB?th=1&psc=1> (Year: 2019).\*

(Continued)

*Primary Examiner* — Messina L Smith

*Assistant Examiner* — Jillian Mazzola

(74) *Attorney, Agent, or Firm* — Ladas & Parry LLP

(57)

**CLAIM**

The ornamental design for a tote bag, as shown and described.

**DESCRIPTION**

FIG. 1 is a front elevational view of a tote bag showing my new design;

FIG. 2 is a rear elevational view thereof;

FIG. 3 is a left side elevational view thereof;

FIG. 4 is a right side elevational view thereof;

FIG. 5 is a top plan view thereof;

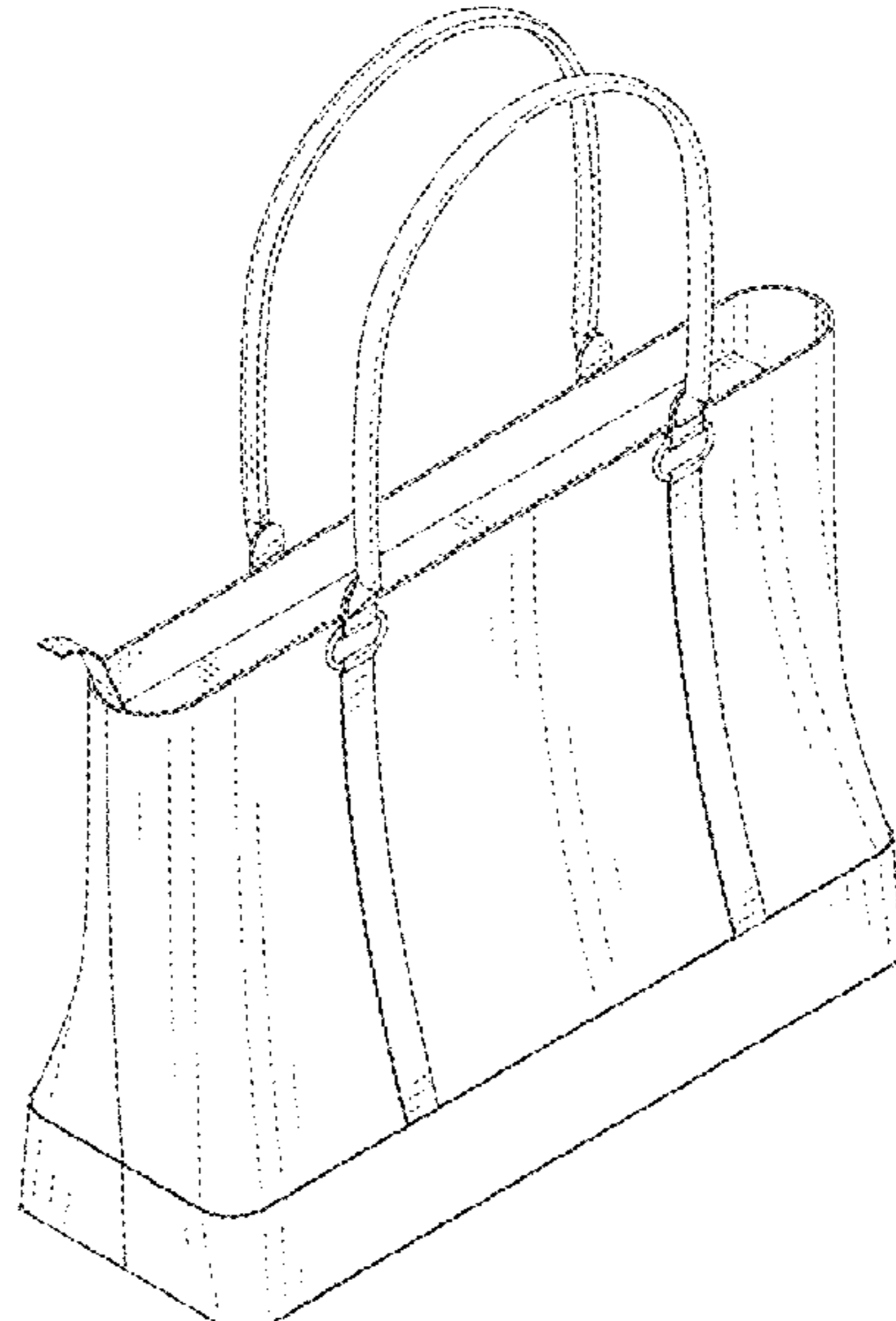
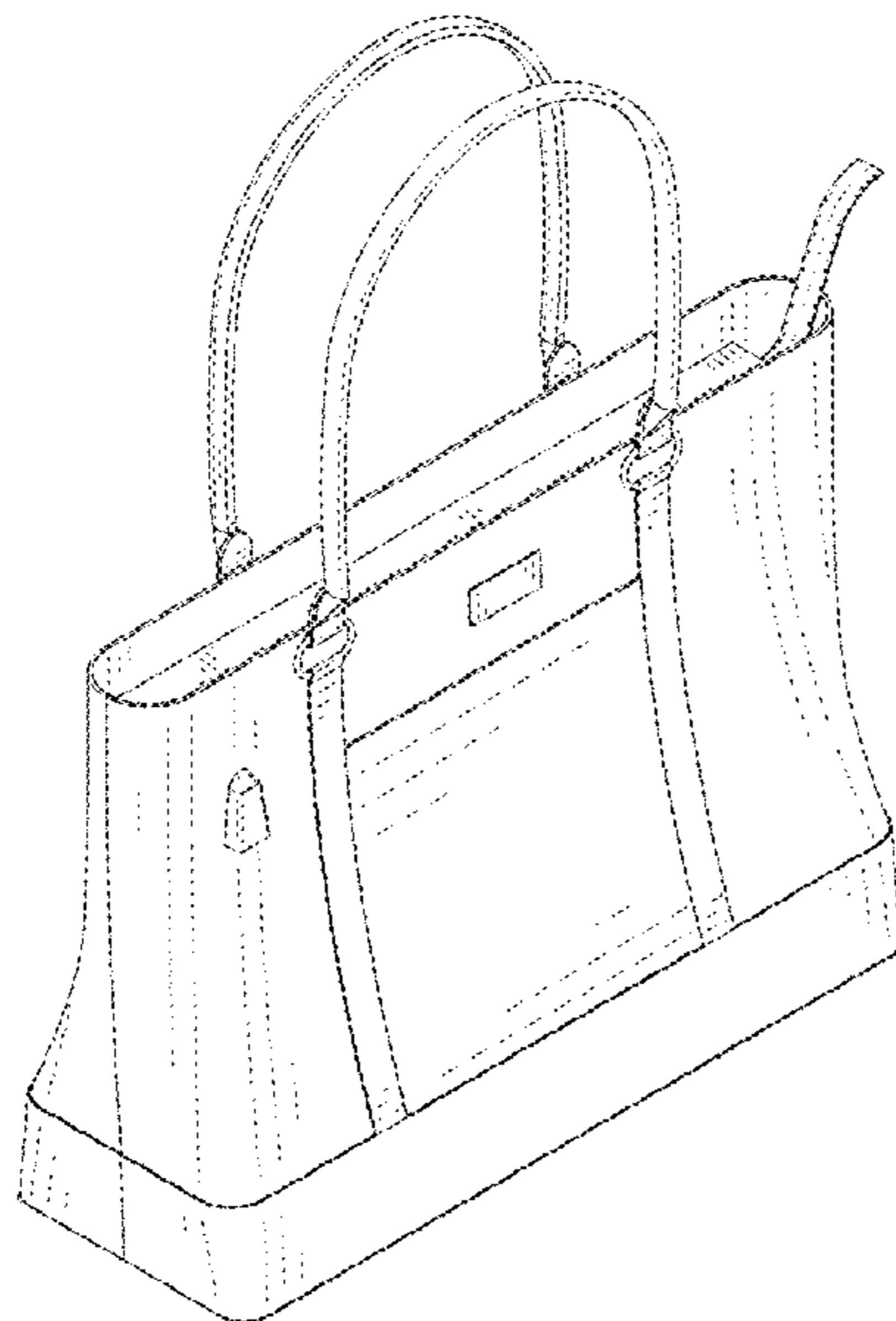
FIG. 6 is a bottom plan view thereof;

FIG. 7 is a front, left, and top perspective view thereof; and,

FIG. 8 is a rear, right, and top perspective view thereof.

The broken lines in the figures are included for the purpose of illustrating portions of the tote bag that form no part of the claimed design.

**1 Claim, 8 Drawing Sheets**



(56)

**References Cited**

U.S. PATENT DOCUMENTS

D942,146 S \* 2/2022 Wang ..... D3/246  
2009/0026240 A1\* 1/2009 Wang ..... A45C 3/06  
383/105  
2015/0114529 A1\* 4/2015 Vitulli ..... A45C 3/06  
264/232  
2019/0216192 A1\* 7/2019 Carter ..... A45C 15/00  
2021/0282516 A1\* 9/2021 Rabiea ..... A45C 13/30

FOREIGN PATENT DOCUMENTS

JP D1557649 \* 9/2016  
WO D216684-001 \* 10/2021

OTHER PUBLICATIONS

Camtop Large Tote Bag for Women, available at amazon.com, earliest date available Nov. 3, 2020 [online], site visited Jun. 17,

2022, available from the internet URL: <https://www.amazon.com/dp/B08LPPGR4X/> (Year: 2020).\*

Krosier Laptop Tote bag, available at amazon.com, earliest date available Dec. 12, 2018 [online], site visited Jun. 17, 2022, available from the internet URL: <https://www.amazon.com/KROSER-Shoulder-Lightweight-Water-Repellent-Travel-Black/dp/B07KCRTD4B/> (Year: 2018).\*

Tanto Laptop Tote Bag, available at amazon.com, earliest date available Feb. 3, 2019 [online], site visited Jun. 17, 2022, available from the internet URL: <https://www.amazon.com/Multiple-Compartments-Organizer-Resistant-Adjustable/dp/B07MW3B78V/> (Year: 2019).\*

Overbrooke Classic Laptop Tote Bag, available at amazon.com, earliest date available Oct. 14, 2016 [online], site visited Jun. 17, 2022, available from the internet URL: <https://www.amazon.com/dp/B01M6WZPFA/> (Year: 2016).\*

Bag Wizard Women Laptop Tote Bag, available at amazon.com, earliest date available May 20, 2019 [online], site visited Jun. 17, 2022, available from the internet URL: <https://www.amazon.com/dp/B07YF76DBC/> (Year: 2019).\*

\* cited by examiner

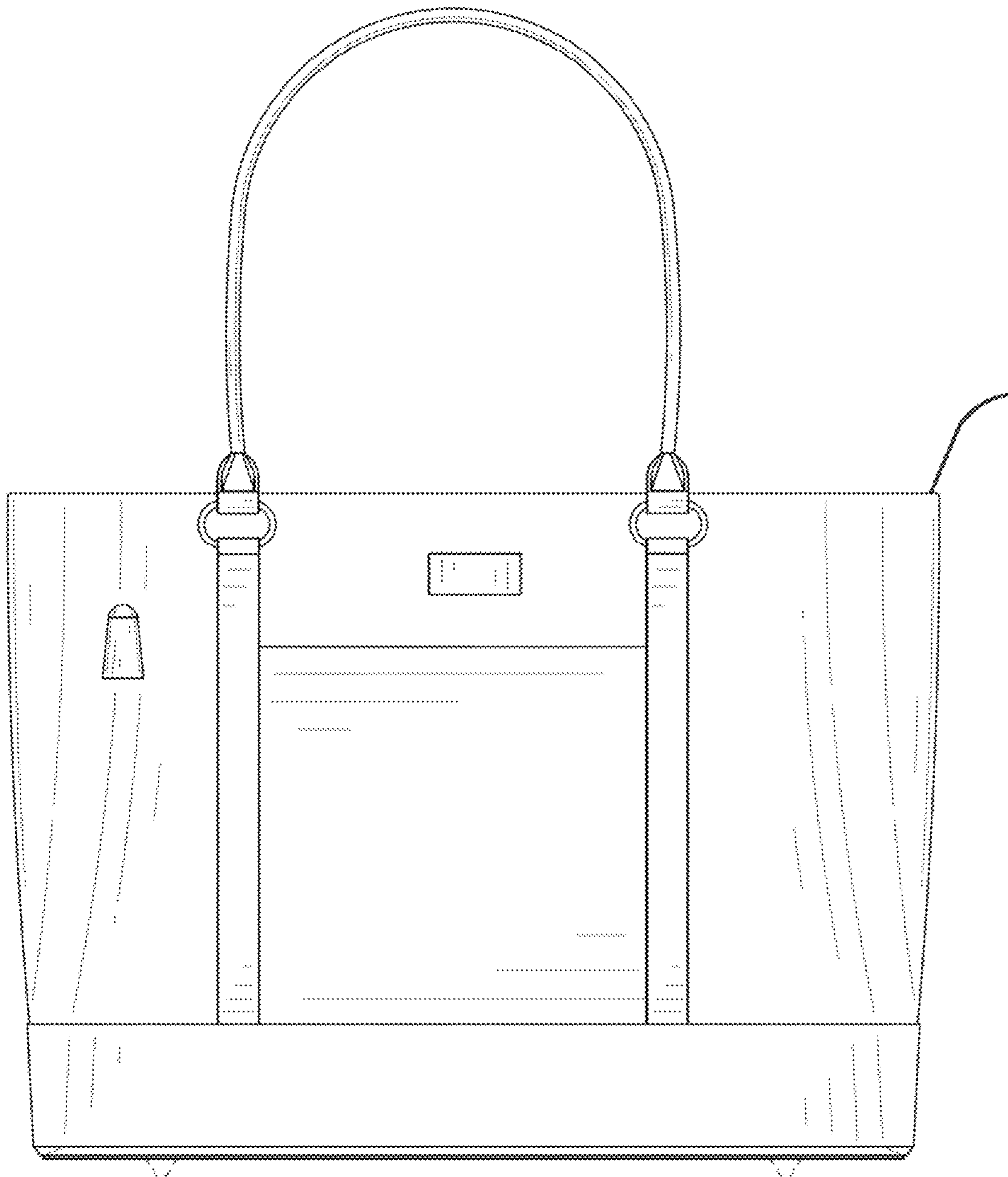


FIG. 1

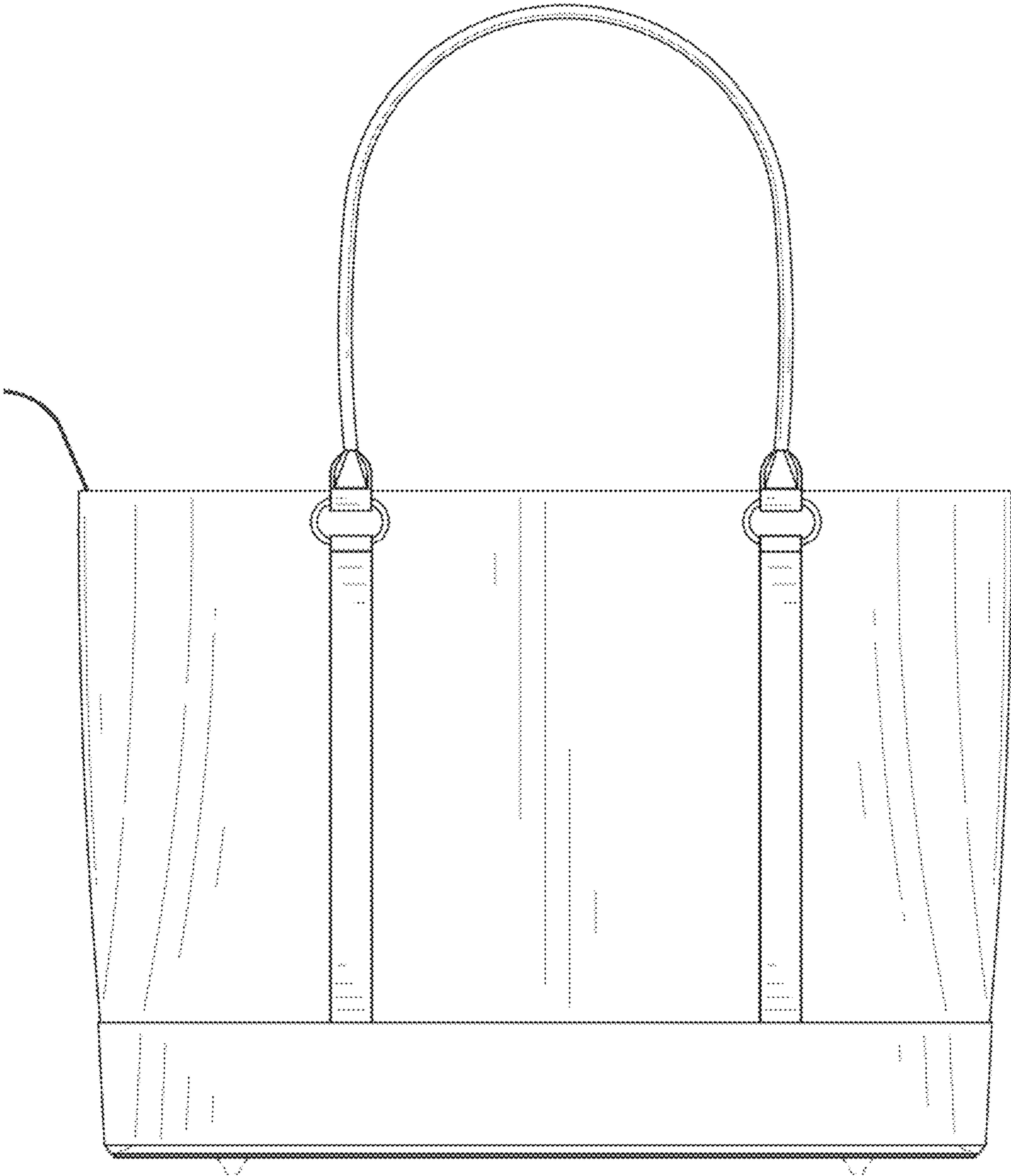


FIG. 2

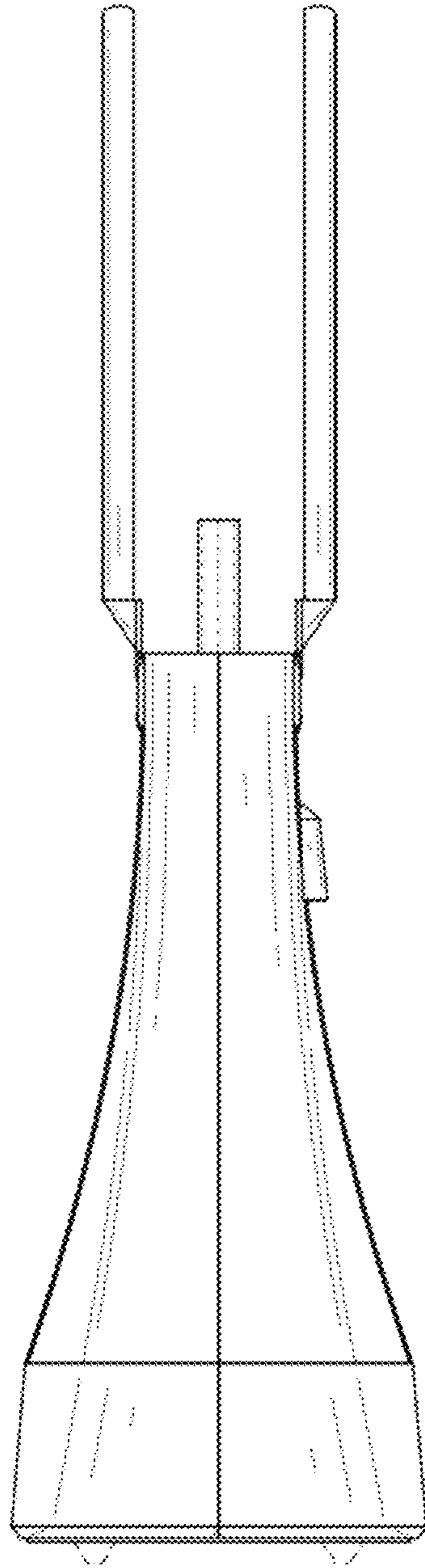


FIG. 3

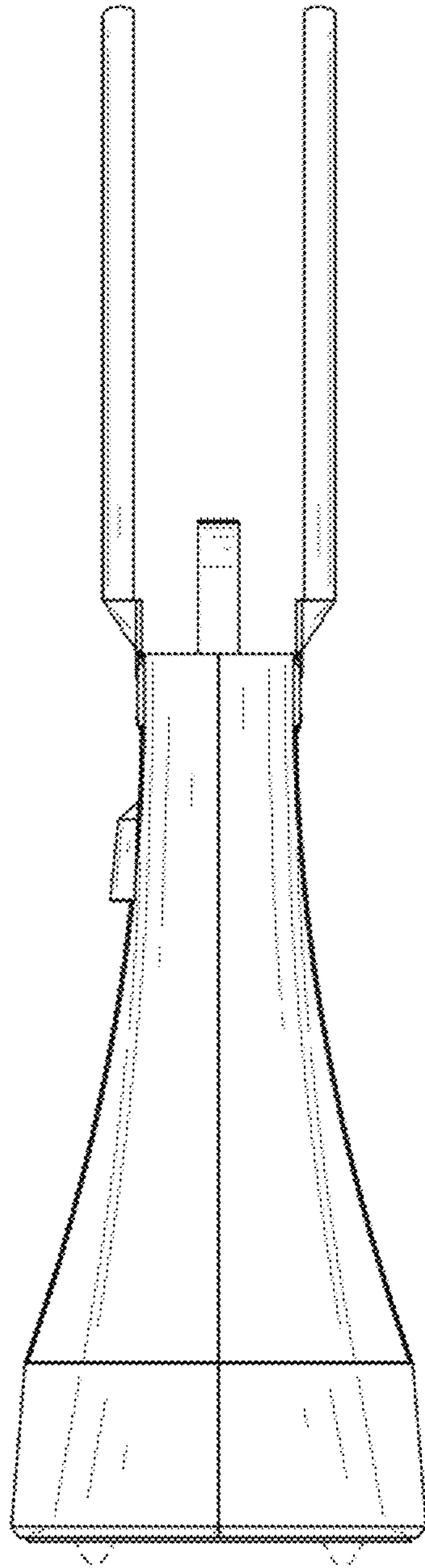


FIG. 4

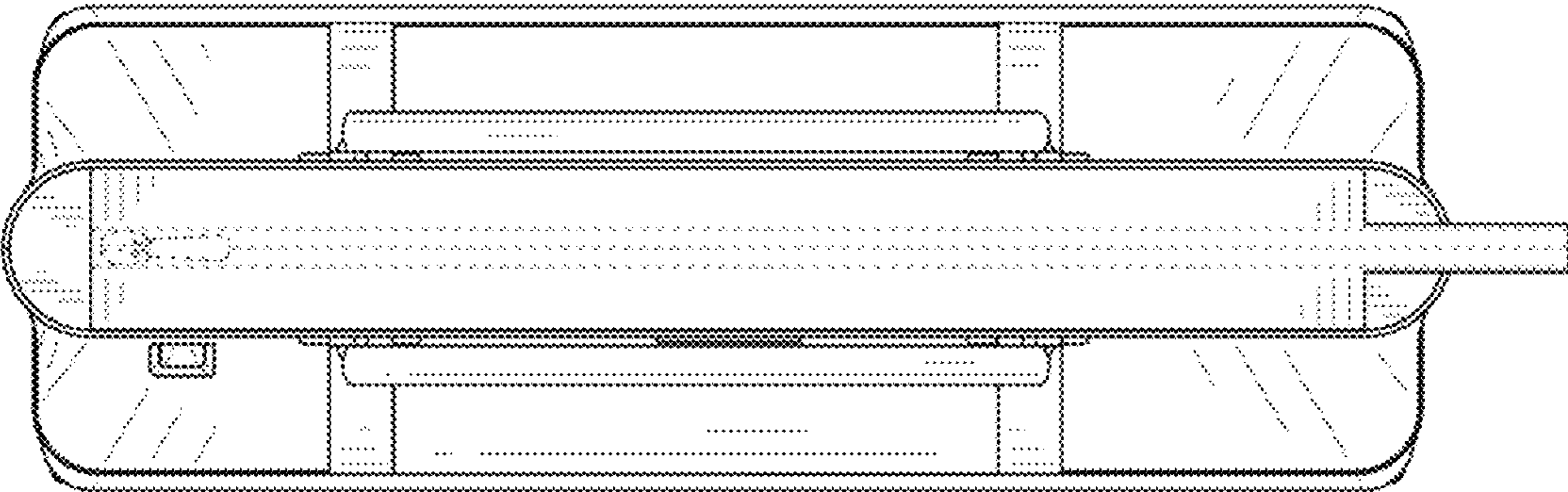


FIG. 5



FIG. 6





FIG. 7

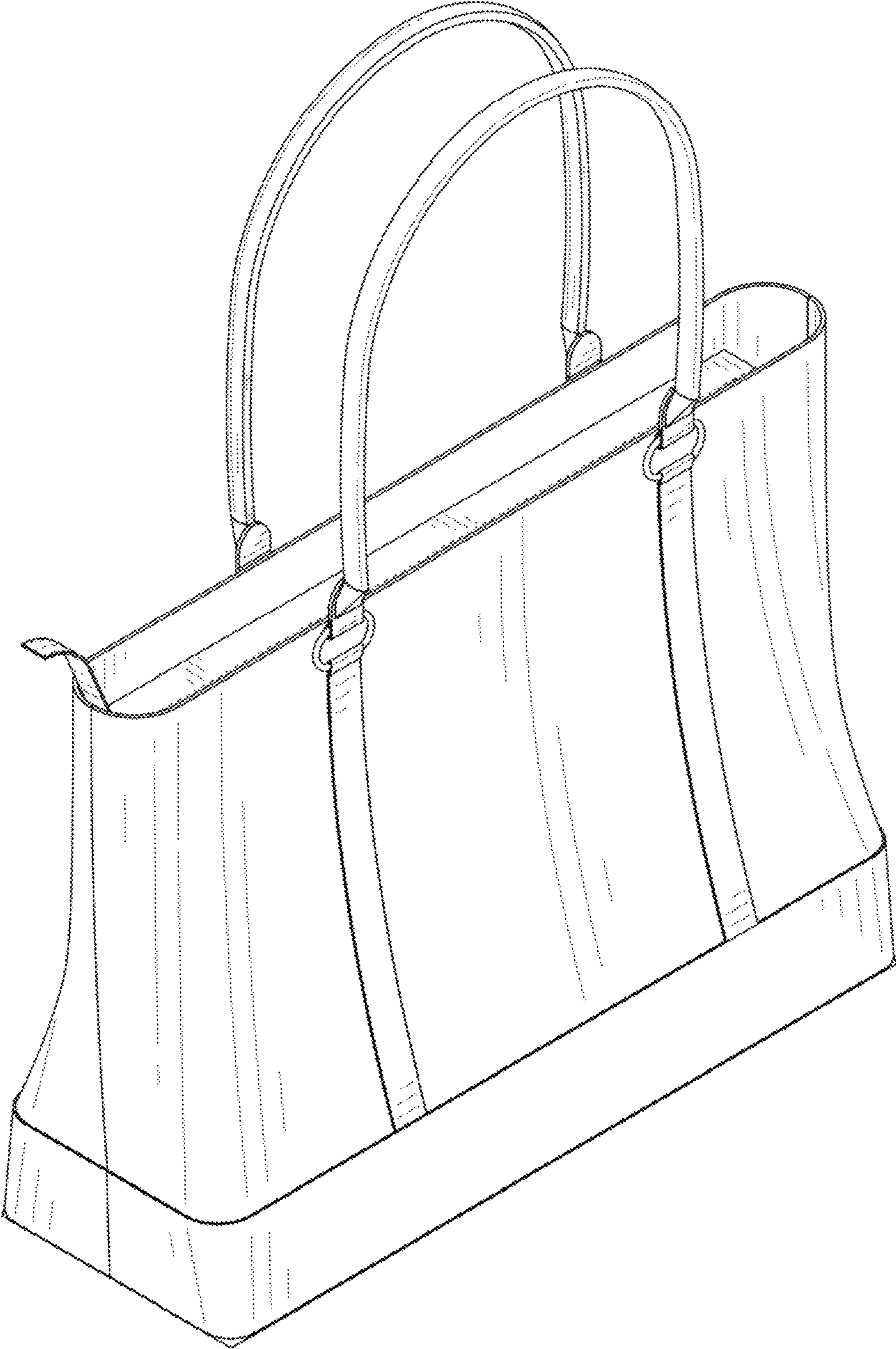


FIG. 8