



US00D965290S

(12) **United States Design Patent** (10) **Patent No.:** **US D965,290 S**
Perez (45) **Date of Patent:** **** Oct. 4, 2022**

(54) **TOOL POUCH**

FOREIGN PATENT DOCUMENTS

(71) Applicant: **Salvador Perez**, Santa Ana, CA (US)

CN 303954486 * 12/2016

(72) Inventor: **Salvador Perez**, Santa Ana, CA (US)

OTHER PUBLICATIONS

(**) Term: **15 Years**

(21) Appl. No.: **29/652,820**

(22) Filed: **Dec. 9, 2020**

(51) **LOC (13) Cl.** **03-01**

(52) **U.S. Cl.**
USPC **D3/228**

(58) **Field of Classification Search**

USPC D3/203.1, 203.5–203.8, 215, 226–228,
D3/230, 232, 245–247, 273, 276,
D3/283–291, 299, 301, 303, 249
CPC ... A45C 5/00; A45C 11/20; A45F 5/00; A45F
5/021; A45F 3/005; A45F 3/04; A45F
5/02; A45F 2200/05; A45F 2200/0575
See application file for complete search history.

Tool Works 10 Pocket Electrician’s Tool Pouch, unknown first available date, goclc.com [online], [site visited Jan. 25, 2022], Available at URL: <https://goclc.com/product/10-pocket-electricians-tool-pouch/>(Year: 2022).*

Husky Heavy-Duty 14 Pocket Electricians Tool Pouch in Black, available from May 21, 2019 based on photo review, homedepot.com [online], [site visited Jan. 25, 2022], Available at URL: <https://www.homedepot.com/p/Husky-14-Pocket-Black-Electrician-Tool-Pouch-HD00143/304021303> (Year: 2019).*

* cited by examiner

Primary Examiner — Jeffrey D Asch

Assistant Examiner — Caitlin A Laverty

(74) *Attorney, Agent, or Firm* — Cionca IP Law P.C.;
Marin Cionca

(56) **References Cited**

(57) **CLAIM**

U.S. PATENT DOCUMENTS

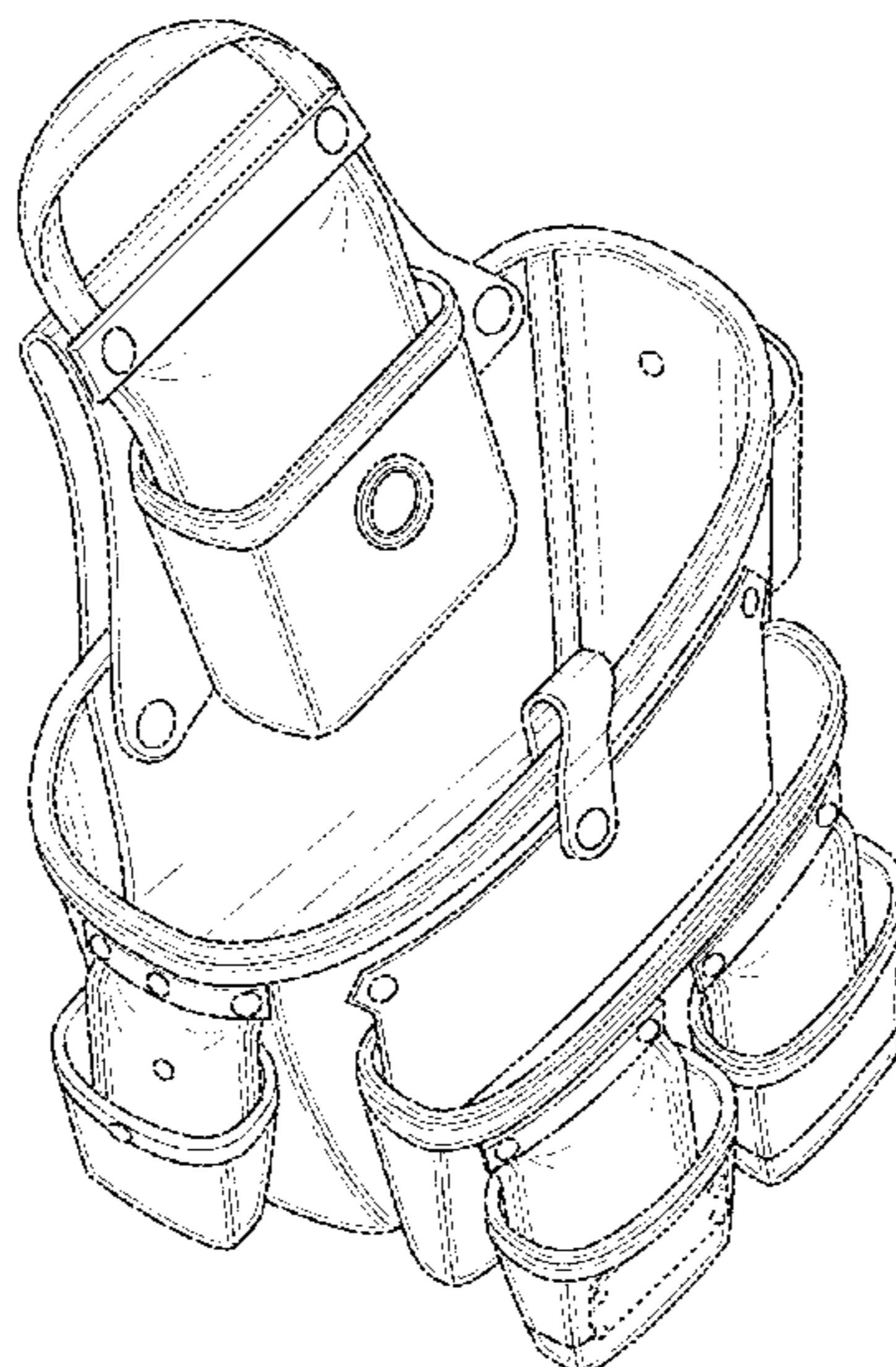
The ornamental design for a tool pouch, as shown and described.

D316,185 S *	4/1991	Seber	D3/228
D316,186 S *	4/1991	Seber	D3/228
D348,982 S *	7/1994	Dancyger	D3/224
D381,804 S *	8/1997	Dancyger	D3/228
D423,773 S *	5/2000	Dancyger	D3/228
D431,104 S *	9/2000	Dancyger	D3/228
6,179,185 B1 *	1/2001	Dancyger	A45F 5/02 206/373
D448,162 S *	9/2001	Snider	D3/228
D450,449 S *	11/2001	Godshaw	D3/228
D463,115 S *	9/2002	Snider	D3/226
D481,535 S *	11/2003	Cabrera	D3/228
D482,196 S *	11/2003	Cabrera	D3/228
D482,524 S *	11/2003	Cabrera	D3/228
D530,506 S *	10/2006	Thurner	D3/228
D723,266 S *	3/2015	Kinsky	D3/228
D779,194 S *	2/2017	Kinsky	D3/228
D779,196 S *	2/2017	Kinsky	D3/228
D875,388 S *	2/2020	Beecher	D3/228

DESCRIPTION

FIG. 1 is a perspective view of a tool pouch showing the new design;
FIG. 2 is a front elevation view thereof;
FIG. 3 is a rear elevation view thereof;
FIG. 4 is a right side elevation view thereof;
FIG. 5 is a left side elevation view thereof;
FIG. 6 is a top plan view thereof; and,
FIG. 7 is a bottom plan view thereof.
The broken lines depict subject matter that forms no part of the claimed design.

1 Claim, 4 Drawing Sheets



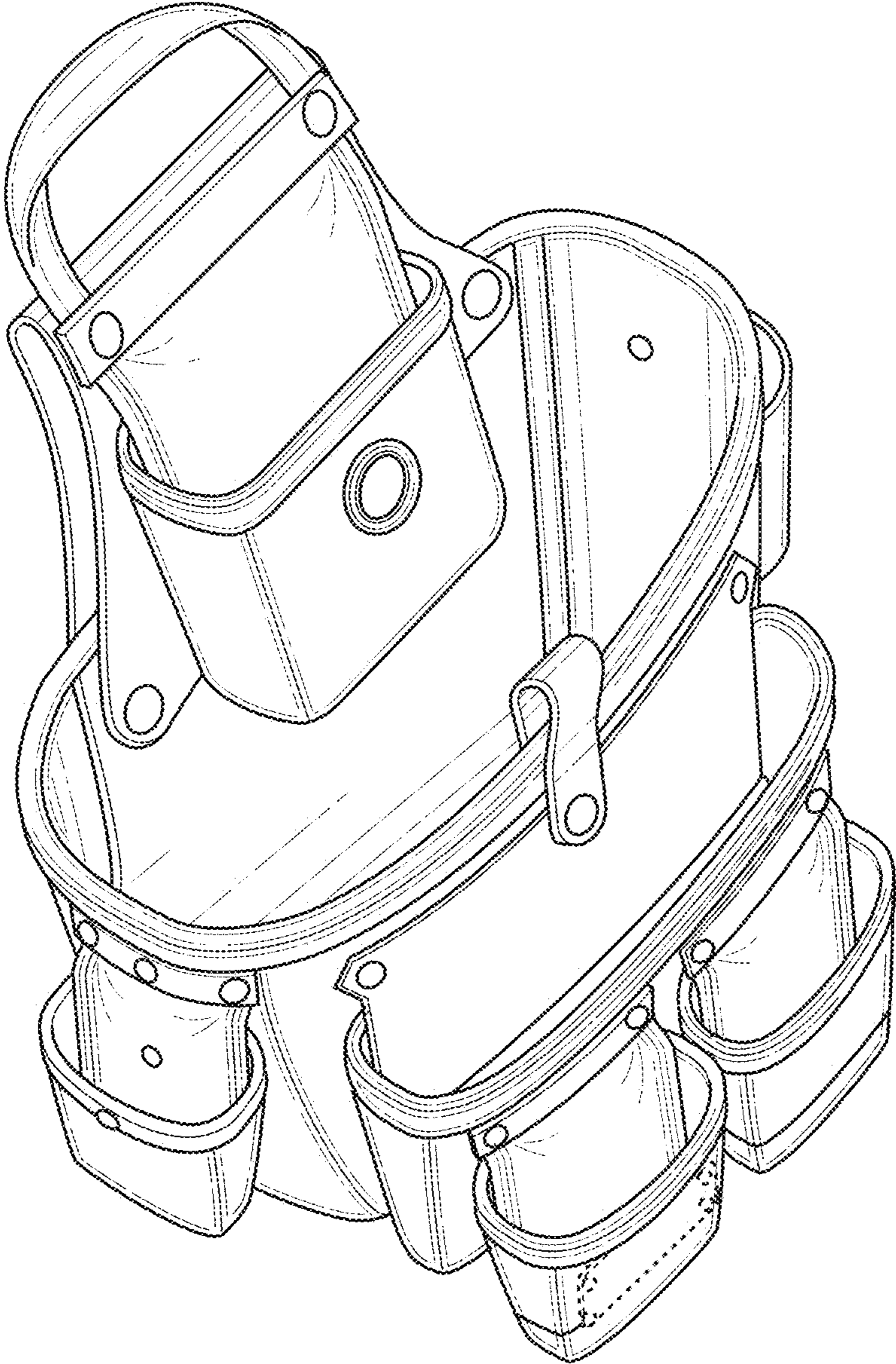


FIG. 1

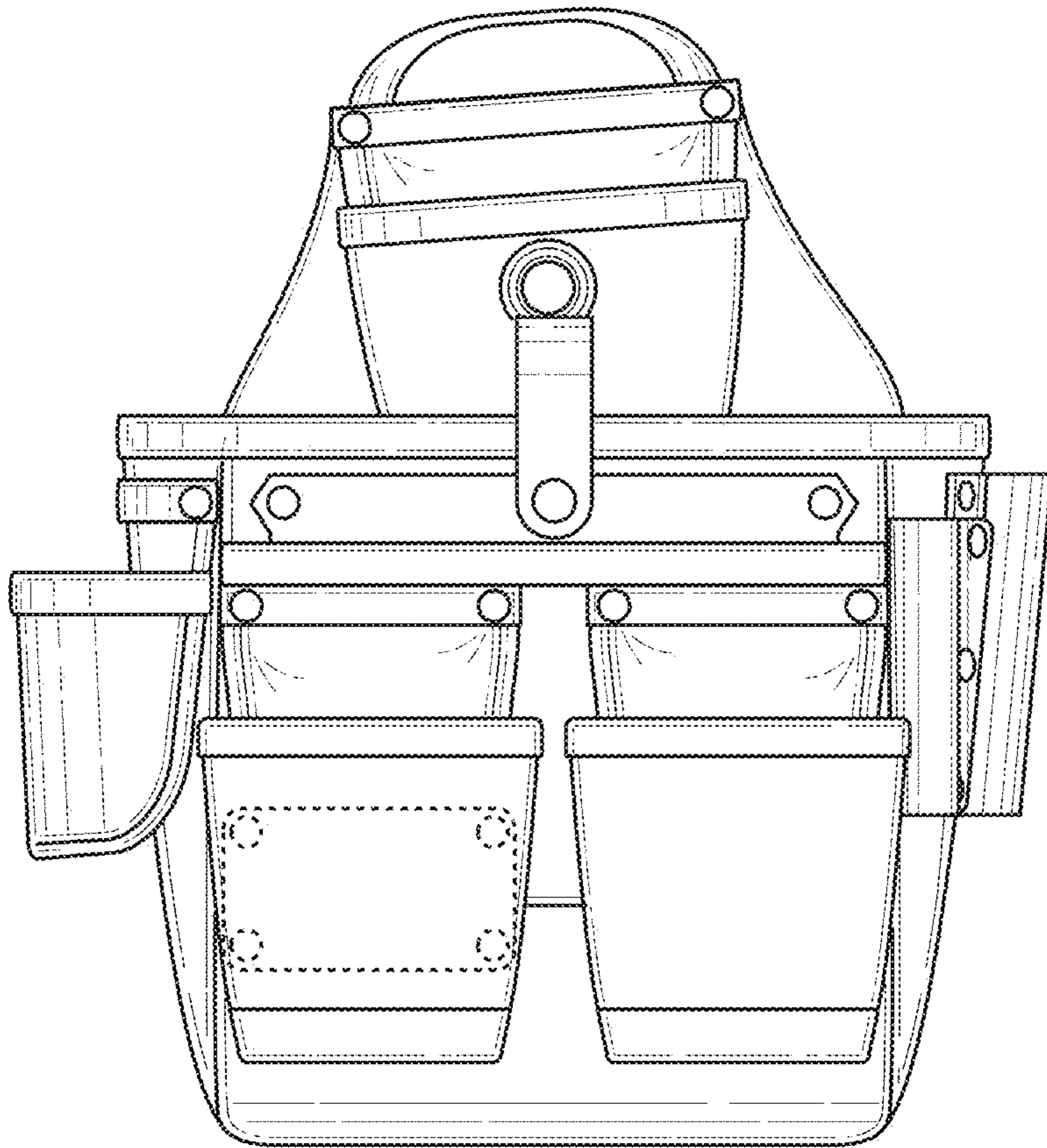


FIG. 2

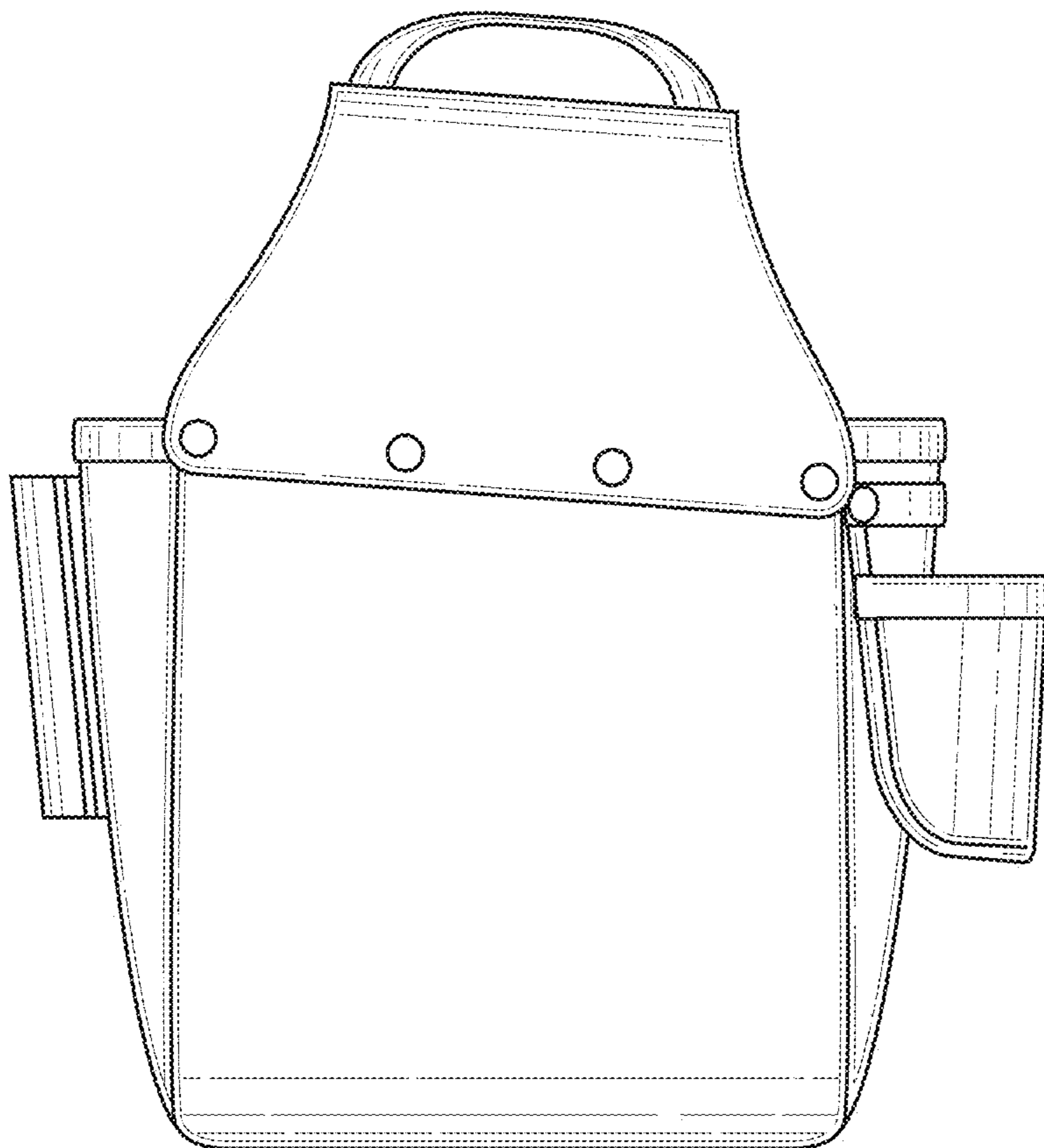


FIG. 3

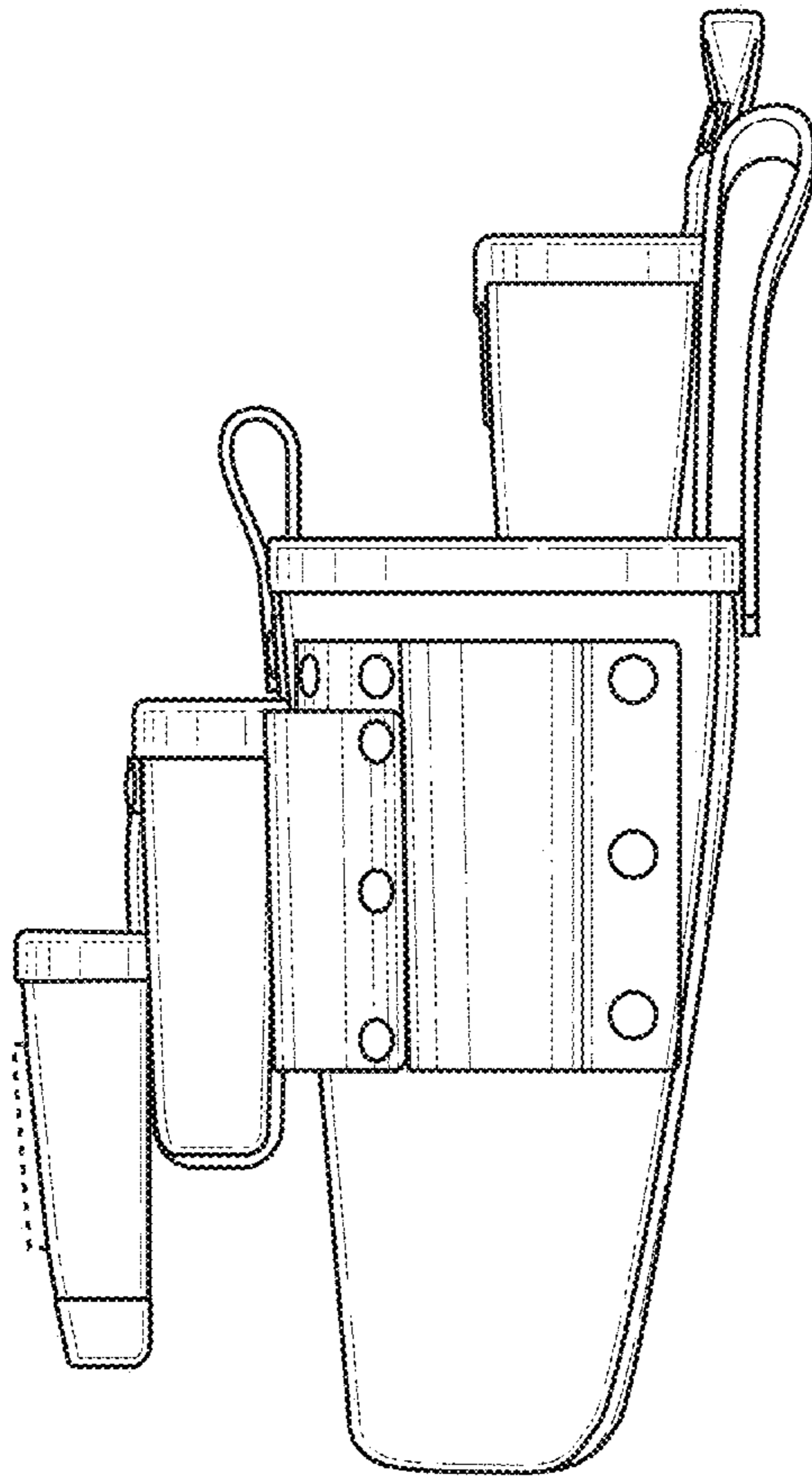


FIG. 4

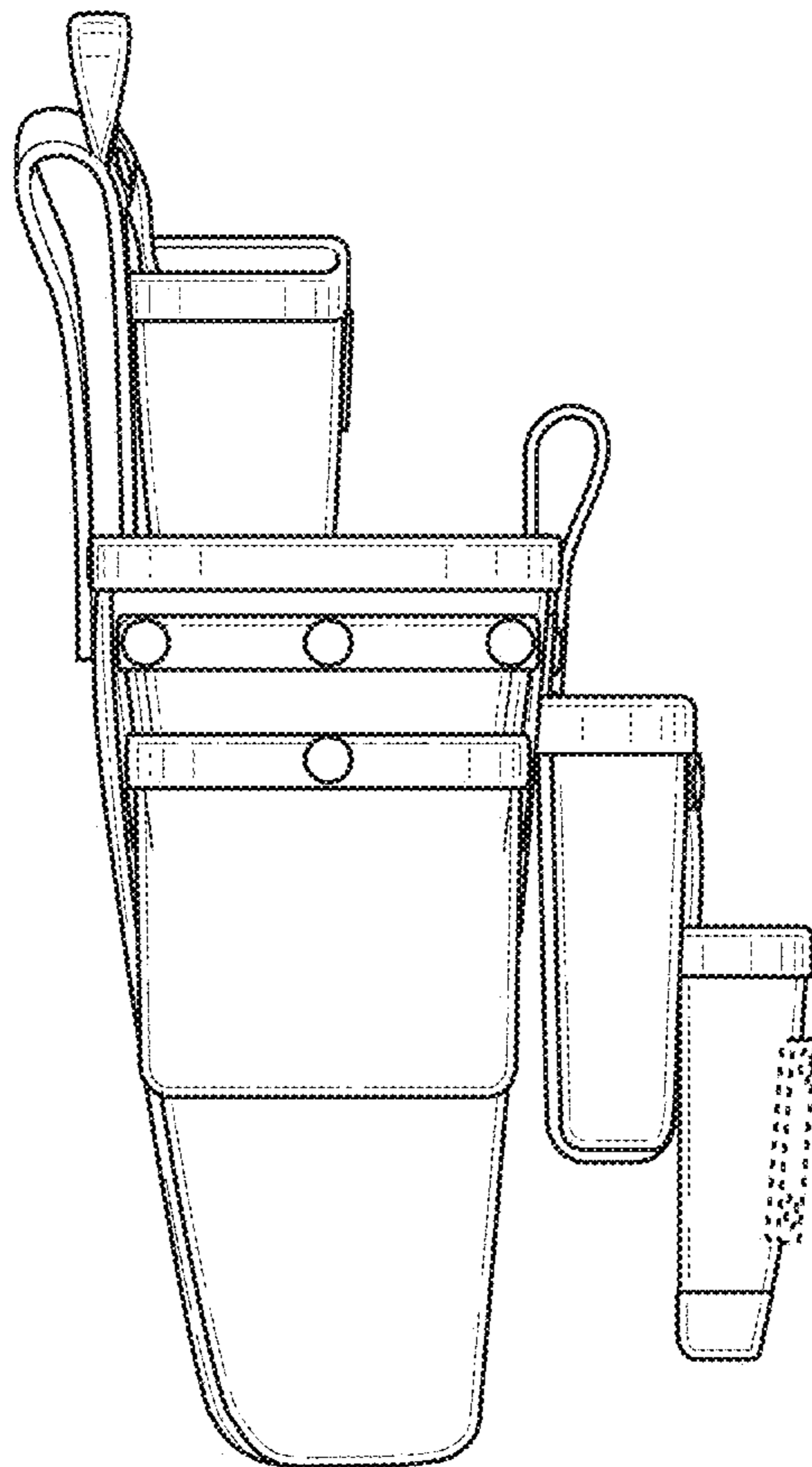


FIG. 5

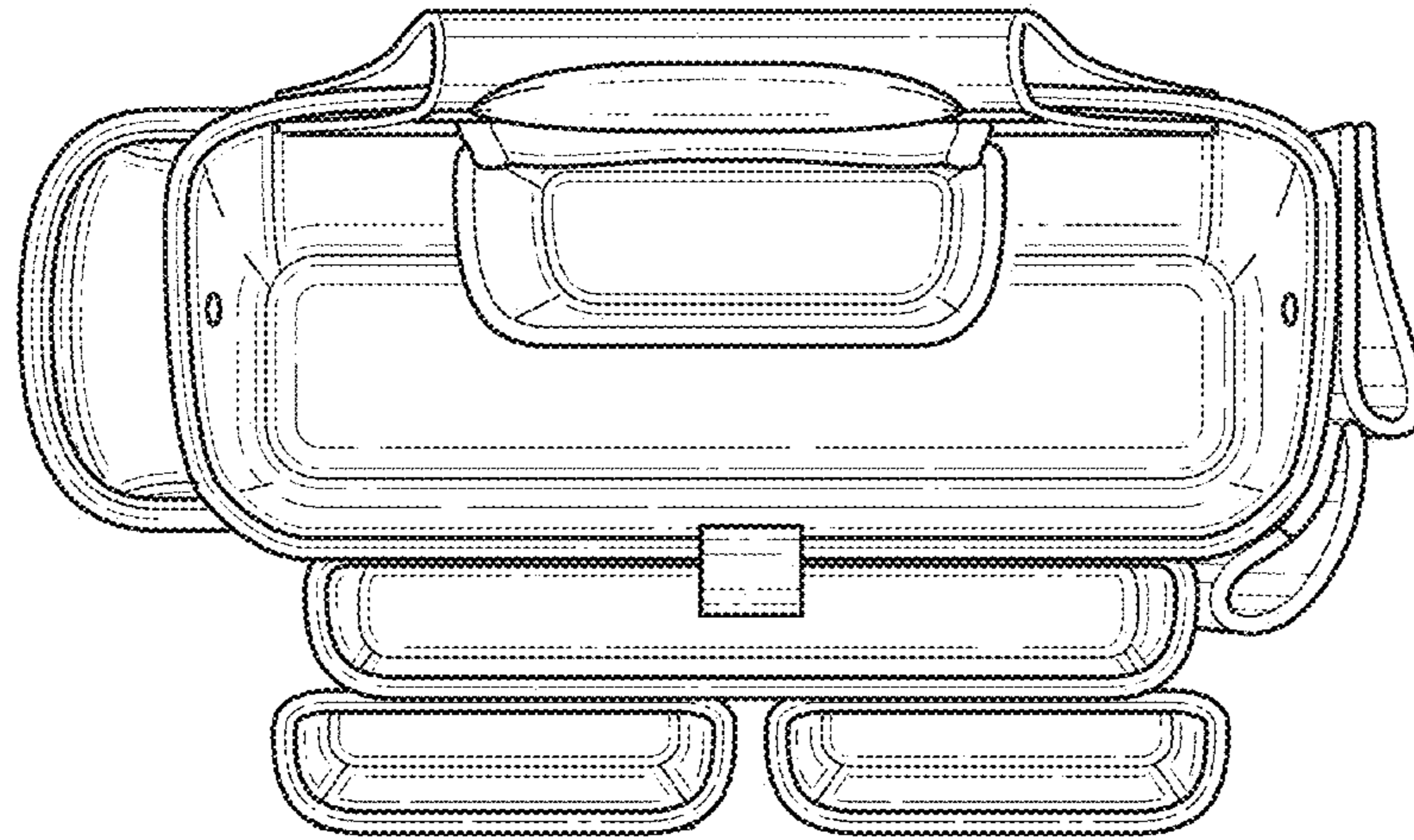


FIG. 6

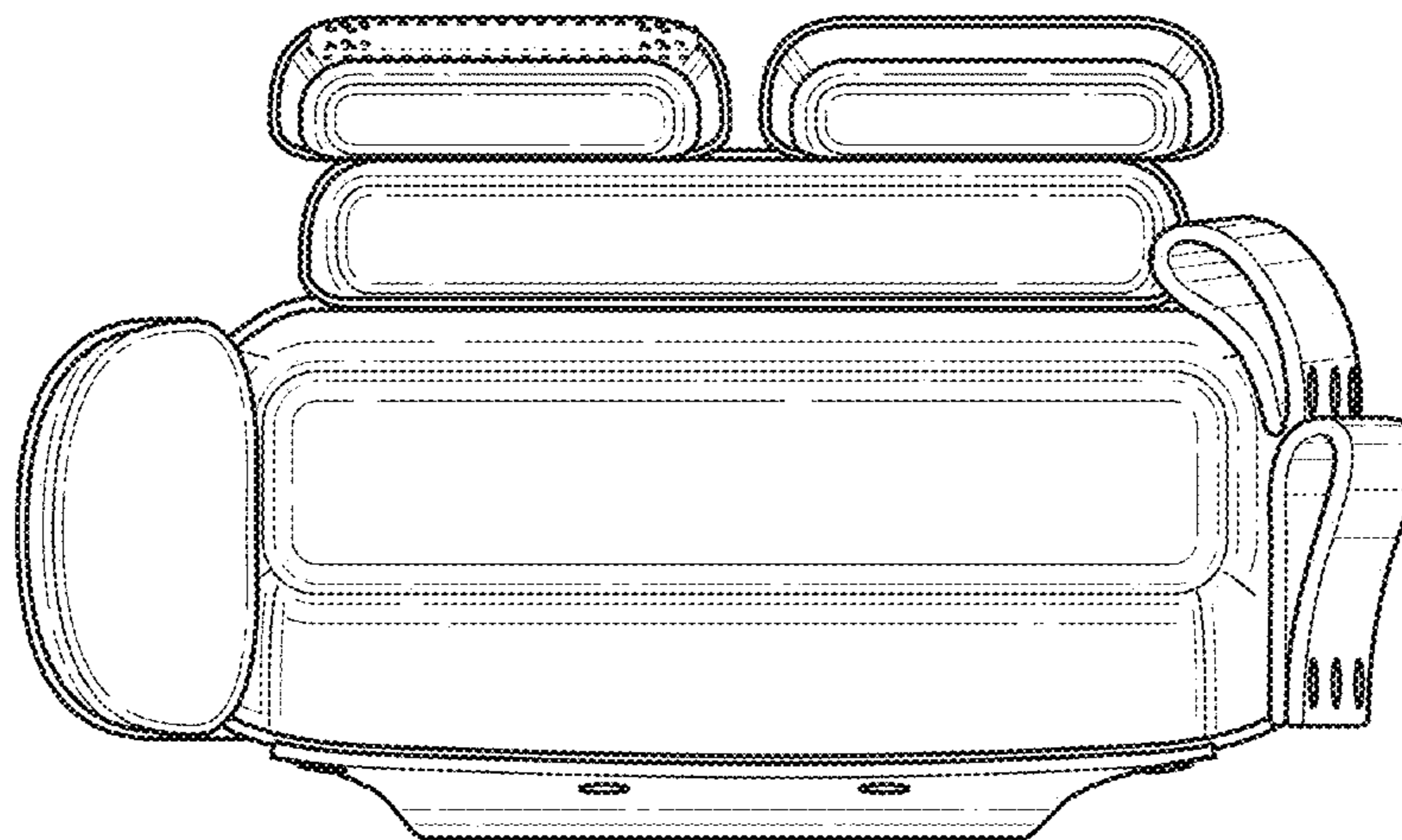


FIG. 7