



US00D965287S

(12) **United States Design Patent** (10) **Patent No.:** **US D965,287 S**
Liu (45) **Date of Patent:** **** Oct. 4, 2022**

(54) **GPS CASE**

(71) Applicant: **Shenzhen Xin'an Innovation Technology Co., Ltd., Shenzhen (CN)**

(72) Inventor: **Bin Liu, Shenzhen (CN)**

(**) Term: **15 Years**

(21) Appl. No.: **29/821,486**

(22) Filed: **Dec. 30, 2021**

(51) **LOC (13) Cl.** **03-01**

(52) **U.S. Cl.**

USPC **D3/207; D10/65**

(58) **Field of Classification Search**

USPC D10/103, 104.1, 61-74; D3/294, 428, D3/425, 205, 293, 207; D14/253; D19/1-6, 9-12

CPC .. Y10T 70/8757; Y10T 70/8676; A45F 5/021; A45F 2200/0558; A44B 15/00; A44B 15/002; A44B 15/007; A44B 17/0011; A44B 17/0029; A44B 15/005; F16B 2/10; F16B 2/22; F16B 5/0052; F16B 2/08; F16B 1/00; F16B 5/12; B60R 11/0241; B60R 11/02; B60R 11/0252; B60R 2011/0064; B60R 2011/007; B60R 2011/008; B62J 11/00; B62J 50/225; B62J 45/00; H02J 50/10; H02J 7/0044; H02J 50/005; H02J 2310/46; F16M 13/02; F16M 11/2035; F16M 11/14; F16M 13/022; F16M 11/041; G06F 1/1632; G06F 2200/1633; H04M 1/185; H04M 1/21; H05K 5/0221; H05K 5/03; E05B 19/04; E05B 49/00; G07C 9/00944; A45C 1/00; B65D 75/26

See application file for complete search history.

(56) **References Cited**

U.S. PATENT DOCUMENTS

4,457,425 A * 7/1984 Cooper A45C 11/326
206/820
5,720,381 A * 2/1998 Betancourt G07D 9/002
206/0.8

D429,733 S * 8/2000 Jones D14/479
D436,991 S * 1/2001 Morgante D19/10
D524,665 S 7/2006 Taisto
D798,041 S * 9/2017 Grewe D3/207
10,396,841 B2 * 8/2019 Nielsen H04B 1/3888
D862,211 S * 10/2019 Justiss D8/373

(Continued)

FOREIGN PATENT DOCUMENTS

EM 004561264-0001 * 12/2017
EM 009092158-0001 * 7/2022
GB 6182978 * 12/2021

OTHER PUBLICATIONS

Mutural Store, Portable Case for New AirTags, Date first available Jun. 23, 2021, [online]retrieved Aug. 3, 2022, available from https://www.amazon.com/Mutural-Portable-Compatible-Backpack-Anti-Lost/dp/B097RNZDKW/ref=sr_1_145?crd=176PPQUCOMZF2&keywords=circular+airtag+holder&qid=1659557124&s=electronics&s (Year: 2021).*

(Continued)

Primary Examiner — Keli L Hill
Assistant Examiner — Sara S Sahneh

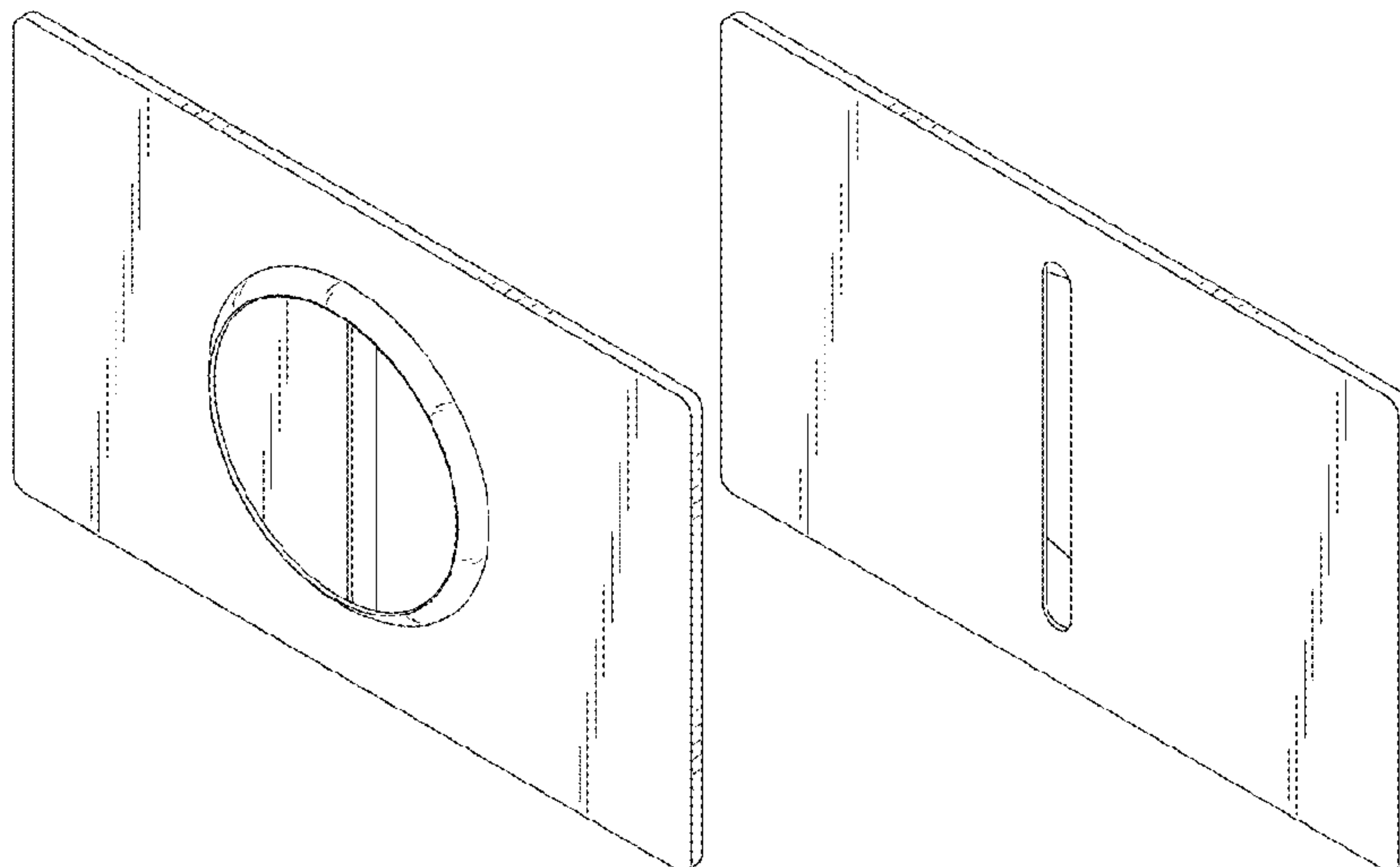
(57) **CLAIM**

The ornamental design for GPS case, substantially as shown and described.

DESCRIPTION

FIG. 1 is a front perspective view of GPS case, showing my new design;
FIG. 2 is a rear perspective view thereof;
FIG. 3 is a front view thereof;
FIG. 4 is a rear view thereof;
FIG. 5 is a left side view thereof;
FIG. 6 is a right side view thereof;
FIG. 7 is a top view thereof; and,
FIG. 8 is a bottom view thereof.

1 Claim, 8 Drawing Sheets



(56)

References Cited

U.S. PATENT DOCUMENTS

D910,748 S * 2/2021 Fischer D19/9
2006/0234545 A1 * 10/2006 Shi G11B 33/027
2016/0058148 A1 * 3/2016 Krasnow A45F 5/022
40/330
2020/0060402 A1 * 2/2020 McCarty A45C 11/182
2020/0329854 A1 * 10/2020 Chartrand A44B 15/005
2021/0018661 A1 * 1/2021 Swamy B65D 75/326

OTHER PUBLICATIONS

Elevation Lab Store, TagVault—AirTag Wallet Holder Card Insert, Date first available Sep. 21, 2021, [online]retrieved https://www.amazon.com/dp/B09GTVRVLC/ref=sspa_dk_detail_3?pd_rd_i=B09GTVRVLC&pd_rd_w=l95PN&content-id=amzn1.sym.ea4fd32b-1001-49b-9dd5-0bce86fe8110&pf_rd_p=ea4fd32b-108/03/22,a (Year: 2021).*

Doeboe Store, Airtag Holder for Backpack Purse, Date first available Jan. 19, 2022, [online]retrieved Aug. 3, 2022, available from https://www.amazon.com/doeboe-Backpack-Genuine-Suitcase-Accessories/dp/B09QQFBPSS/ref=psdc_493964_t1_B09KZ5G9VN?th=1 (Year: 2022).*

* cited by examiner

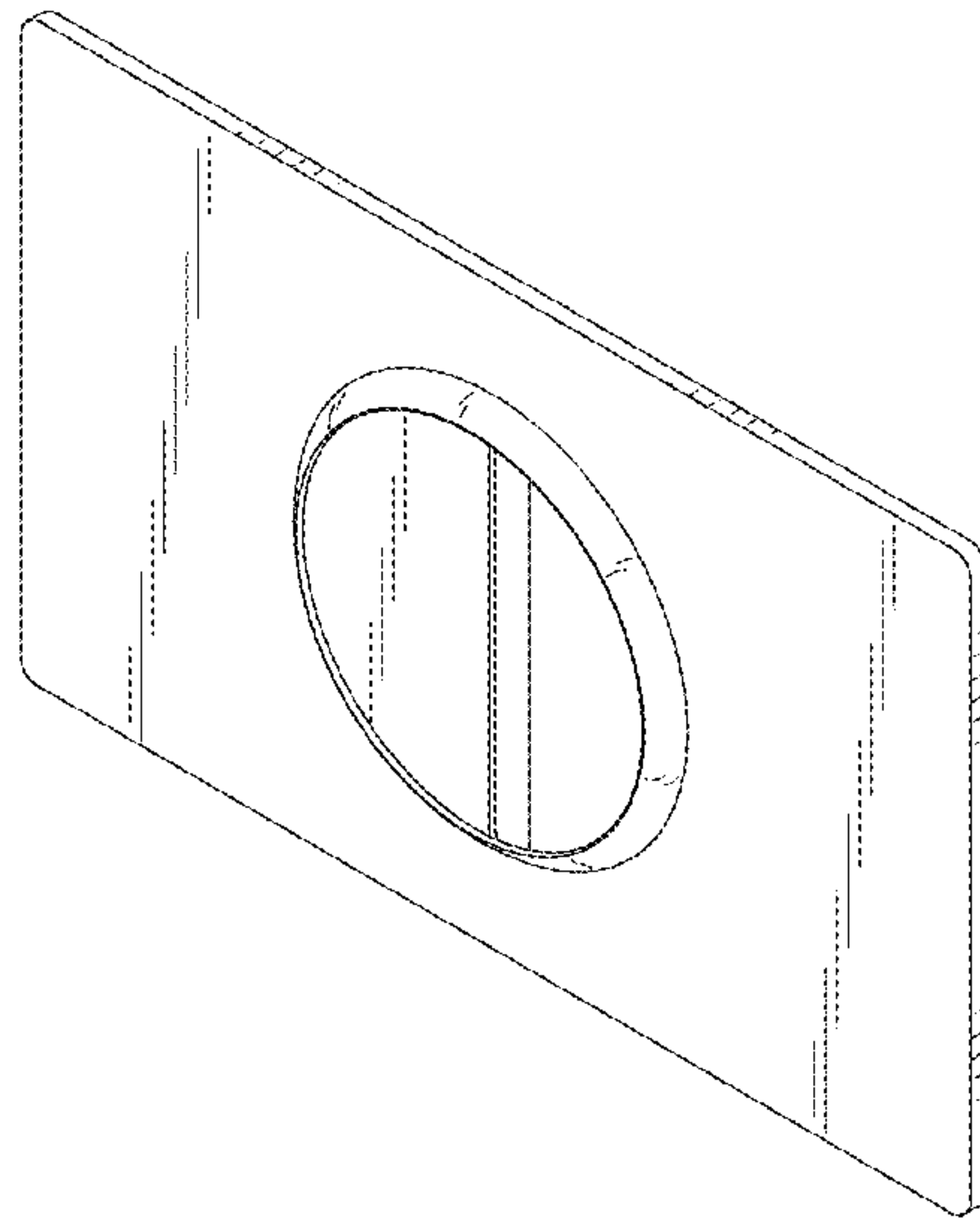


FIG. 1

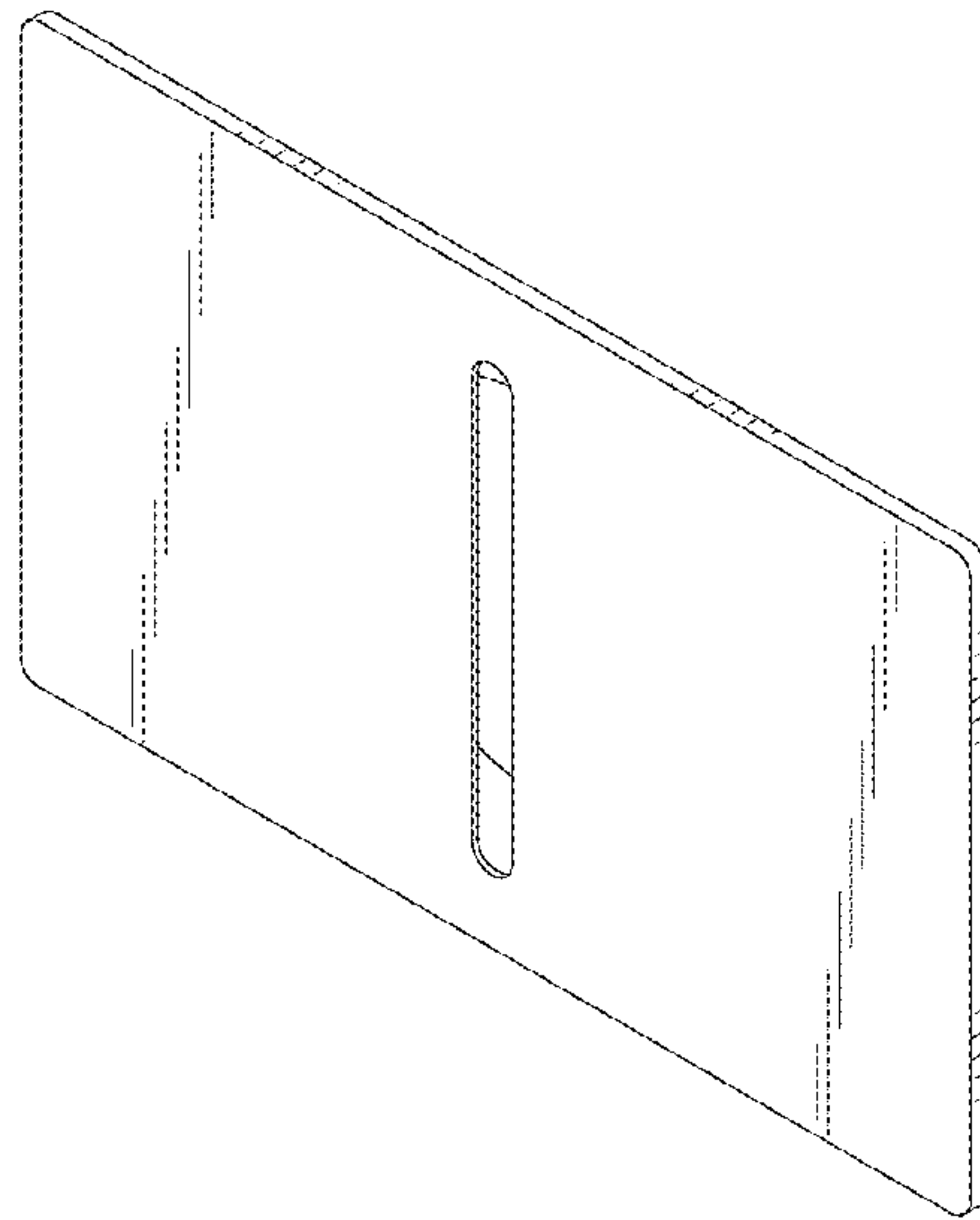


FIG. 2

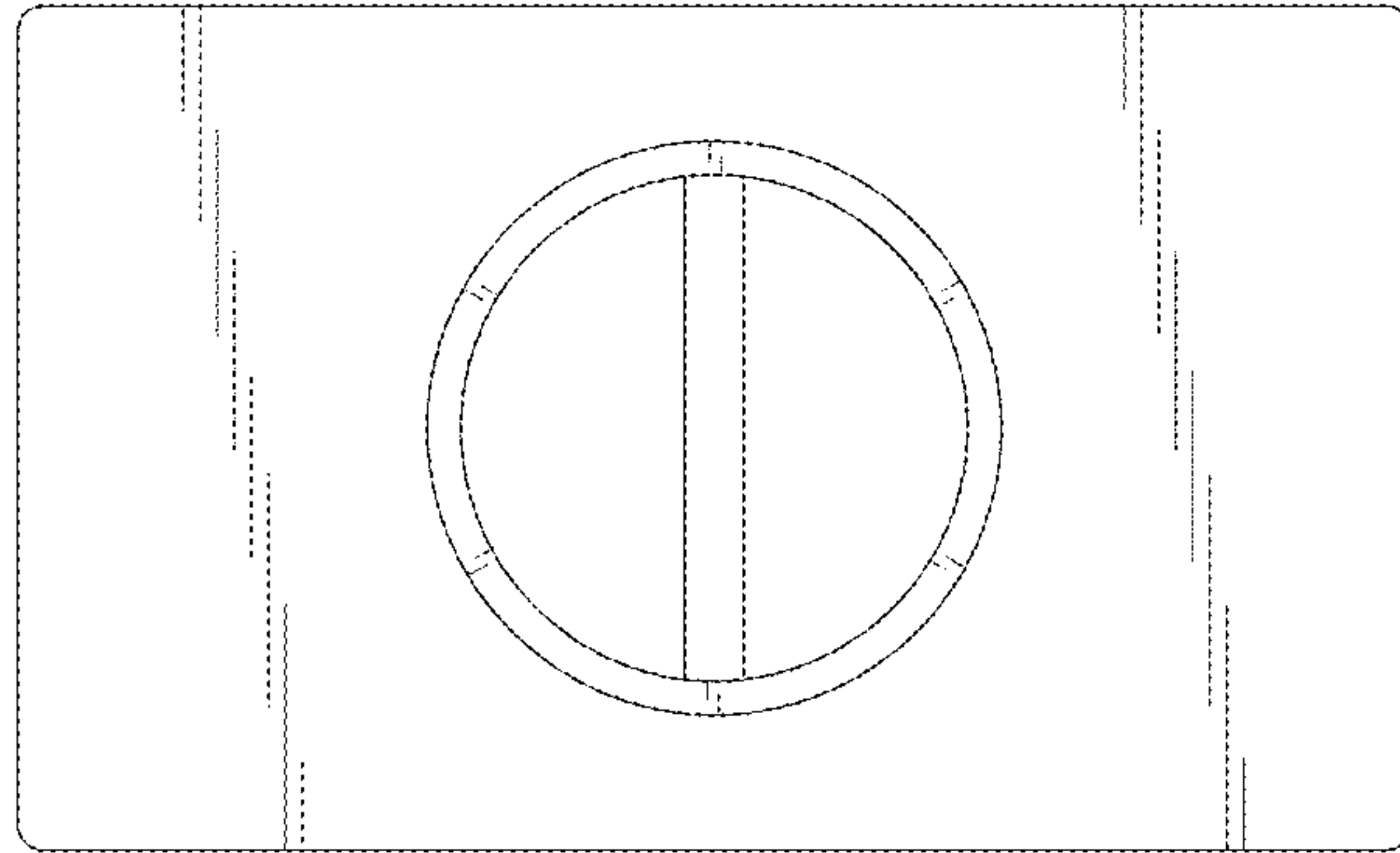


FIG. 3

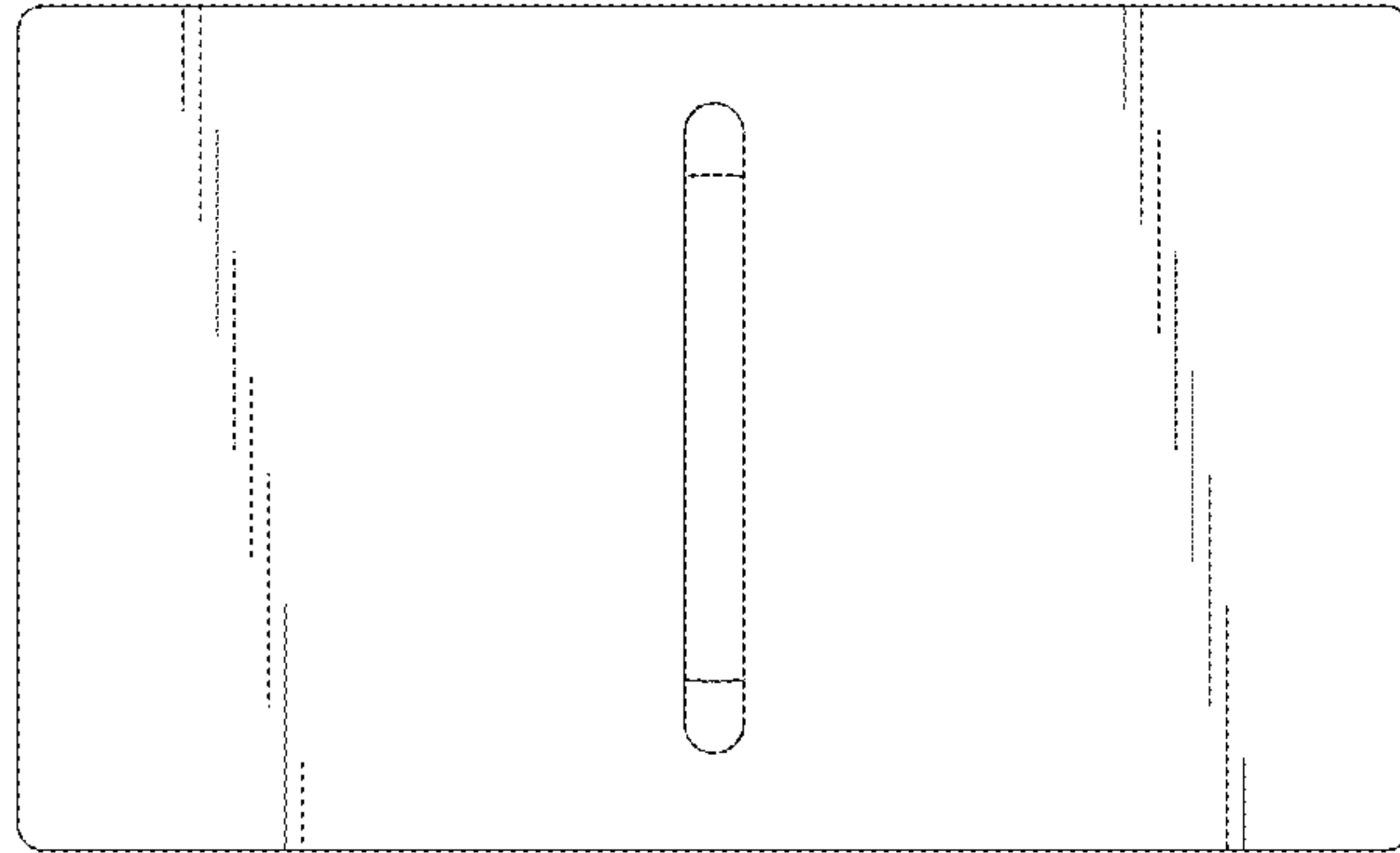


FIG. 4



FIG. 5

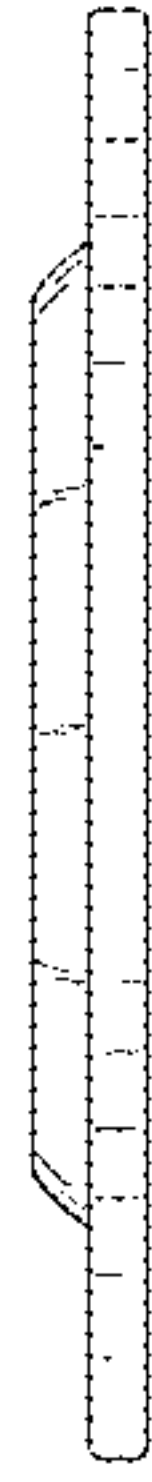


FIG. 6

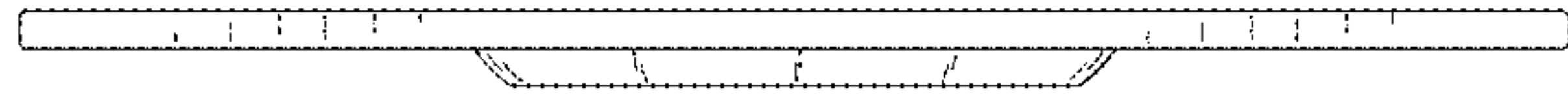


FIG. 7

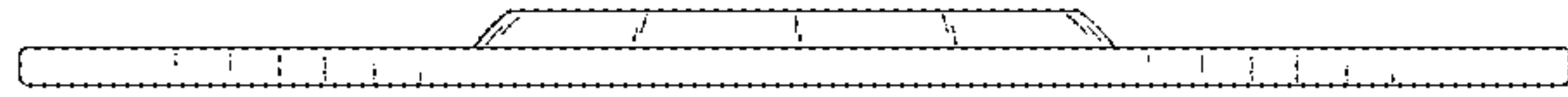


FIG. 8