

US00D965285S

(12) **United States Design Patent**
Chen

(10) **Patent No.:** **US D965,285 S**

(45) **Date of Patent:** **** Oct. 4, 2022**

(54) **MEDICATION CASE**

(71) Applicant: **Changsha Yuwen Network Technology Co., Ltd.**, Changsha (CN)

(72) Inventor: **Junyuan Chen**, Changsha (CN)

(73) Assignee: **HAIKOU LILI INVESTMENT CO., LTD.**, Haikou (CN)

(**) Term: **15 Years**

(21) Appl. No.: **29/794,321**

(22) Filed: **Jun. 11, 2021**

(51) **LOC (13) Cl.** **03-01**

(52) **U.S. Cl.**
USPC **D3/203.3; D3/203.2**

(58) **Field of Classification Search**
USPC D3/203.1, 203.2, 203.3, 201, 203.4,
D3/203.5, 203.6, 203.7, 203.8, 272, 273,
(Continued)

(56) **References Cited**

U.S. PATENT DOCUMENTS

2,534,100 A * 12/1950 Baumgartner A45D 40/00
220/345.2
8,333,281 B2 * 12/2012 Saltsov B65D 83/0445
220/348

(Continued)

FOREIGN PATENT DOCUMENTS

CA 90781 * 11/2000
GB 2022543 * 6/1992

OTHER PUBLICATIONS

Amazon.com, Site visited Aug. 8, 2022, Szredu Pill Organizer, First available Apr. 17, 2020, <https://www.amazon.com/Organizer-SZREDU-Container-Medication-Push-Button/dp/B0876YTL8G> (Year: 2020).*

(Continued)

Primary Examiner — Brett Miller

Assistant Examiner — Jessica M Gebhart

(74) *Attorney, Agent, or Firm* — IPro, PLLC; Na Xu

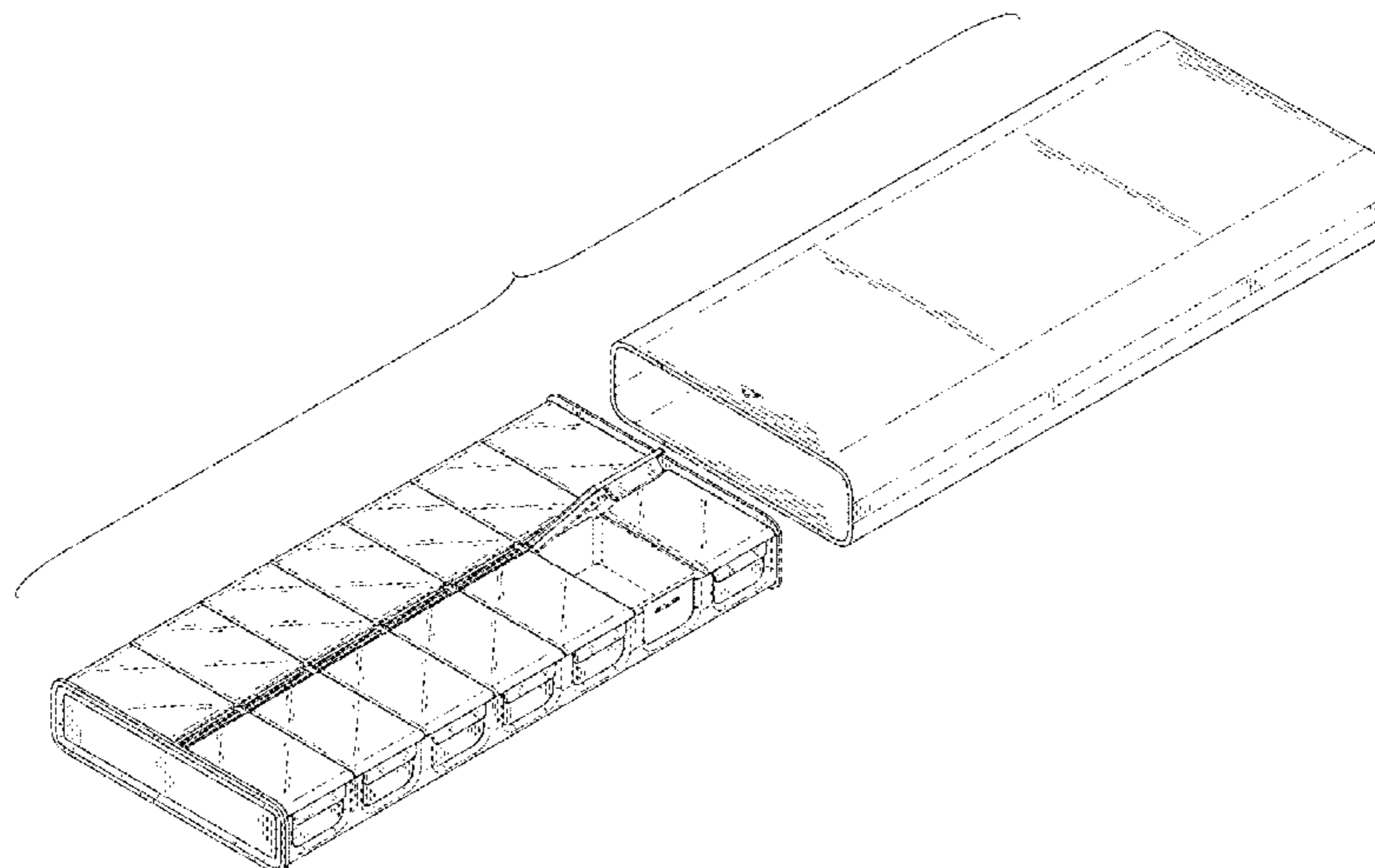
(57) **CLAIM**

The ornamental design for a medication case, as shown and described.

DESCRIPTION

FIG. 1 is a perspective view of an ornamental design for a medication case showing our new design; FIG. 2 is another perspective view of the medication case; FIG. 3 is a front view of the medication case; FIG. 4 is a rear view of the medication case; FIG. 5 is a left side view of the medication case; FIG. 6 is a right side view of the medication case; FIG. 7 is a top view of the medication case; FIG. 8 is a bottom view of the medication case; FIG. 9 is a perspective view of the inner case of the medication case; FIG. 10 is another perspective view of the inner case of the medication case; FIG. 11 is a front view of the inner case of the medication case; FIG. 12 is a rear view of the inner case of the medication case; FIG. 13 is a left side view of the inner case of the medication case; FIG. 14 is a right side view of the inner case of the medication case; FIG. 15 is a top view of the inner case of the medication case; FIG. 16 is a bottom view of the inner case of the medication case; FIG. 17 is an enlarged view of the portion surrounded by the dash-dot line in FIG. 9; FIG. 18 is a perspective view of the medication case showing the inner case partially removed from the outer case; and, FIG. 19 is a perspective view of the medication case showing the inner case completely removed from the outer case.

(Continued)



The broken lines in the drawings depict portions of the medication case that form no part of the claimed design.

1 Claim, 19 Drawing Sheets

(58) Field of Classification Search

USPC D3/901–905, 302, 276, 294, 295, 298;
D24/224; D6/515; D9/420–424, 529,
D9/756, 757, 759; D99/28; D14/214,
D14/314; D7/615, 629; D27/186
CPC A61J 1/00; A61J 7/04; B65D 43/20; B65D
50/04; B65D 83/04; A47F 3/0404
See application file for complete search history.

(56) References Cited

U.S. PATENT DOCUMENTS

D812,368 S * 3/2018 Noble D3/203.3
10,858,146 B2 * 12/2020 Aryanpanah B65D 11/12

11,123,263 B2 * 9/2021 Lee A61J 1/03
D933,353 S * 10/2021 Chen D3/203.3
D933,949 S * 10/2021 Lee D3/203.3
D939,203 S * 12/2021 Lee D3/203.2
2019/0224077 A1 * 7/2019 Stein A61J 7/0076
2021/0128405 A1 * 5/2021 Lee A61J 7/0084

OTHER PUBLICATIONS

Amazon.co.uk, Site visited Aug. 8, 2022, Yapeng Weekly Pill Organizer 2 Times a Day, First available Oct. 19, 2020, <https://www.amazon.co.uk/Organizer-YAPENG-Dispenser-Container-Supplements/dp/B08LCW48D3> (Year: 2020).*

Amazon, com, Site visited Aug. 3, 2022, Higherhuman 7 Day Weekly Pill Organizer, First Available Jun. 2, 2020, <https://www.amazon.com/Day-Weekly-Pill-Organizer-mbarc/dp/B0887JDYK> (Year: 2020).*

* cited by examiner

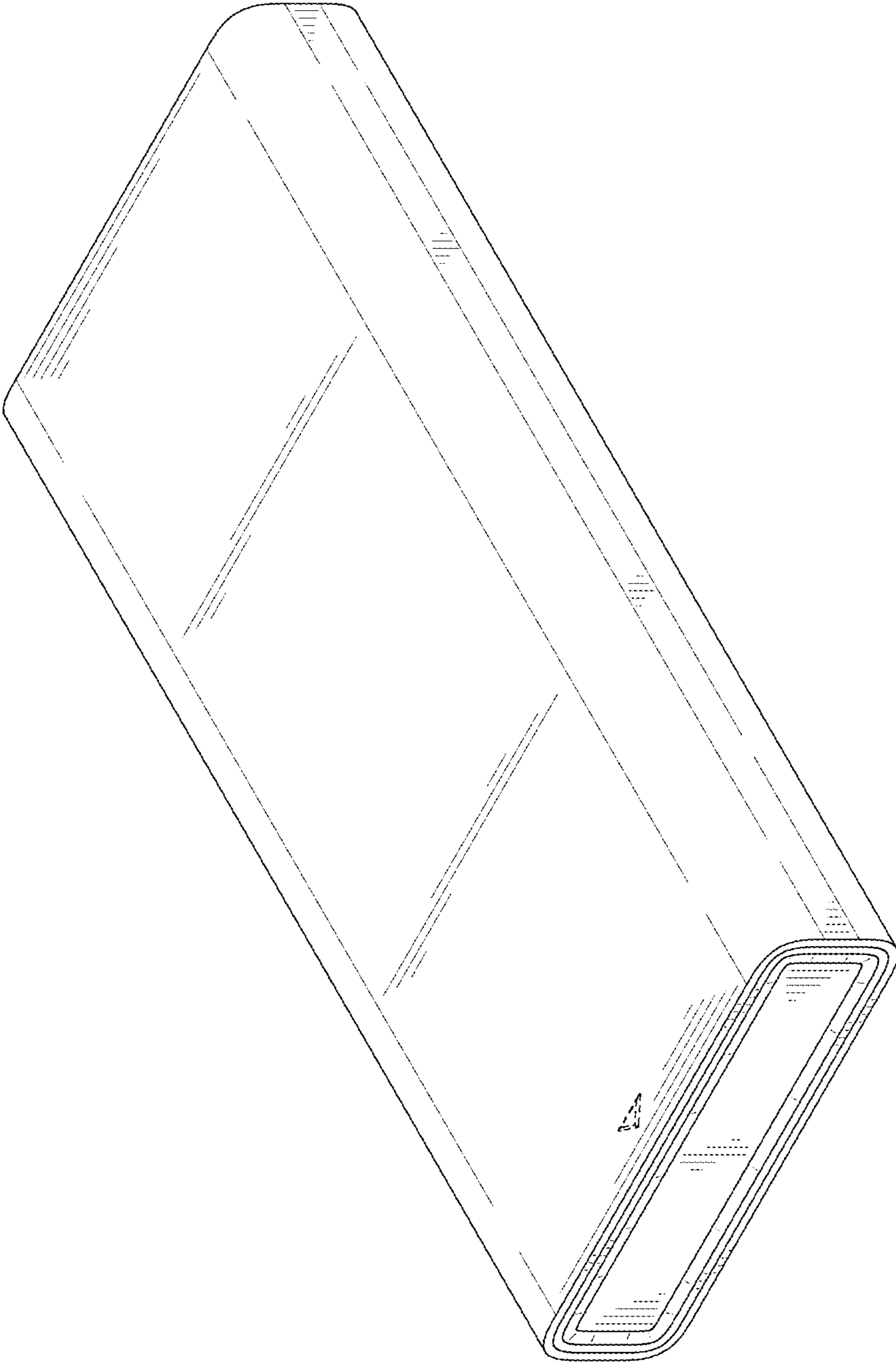


FIG. 1

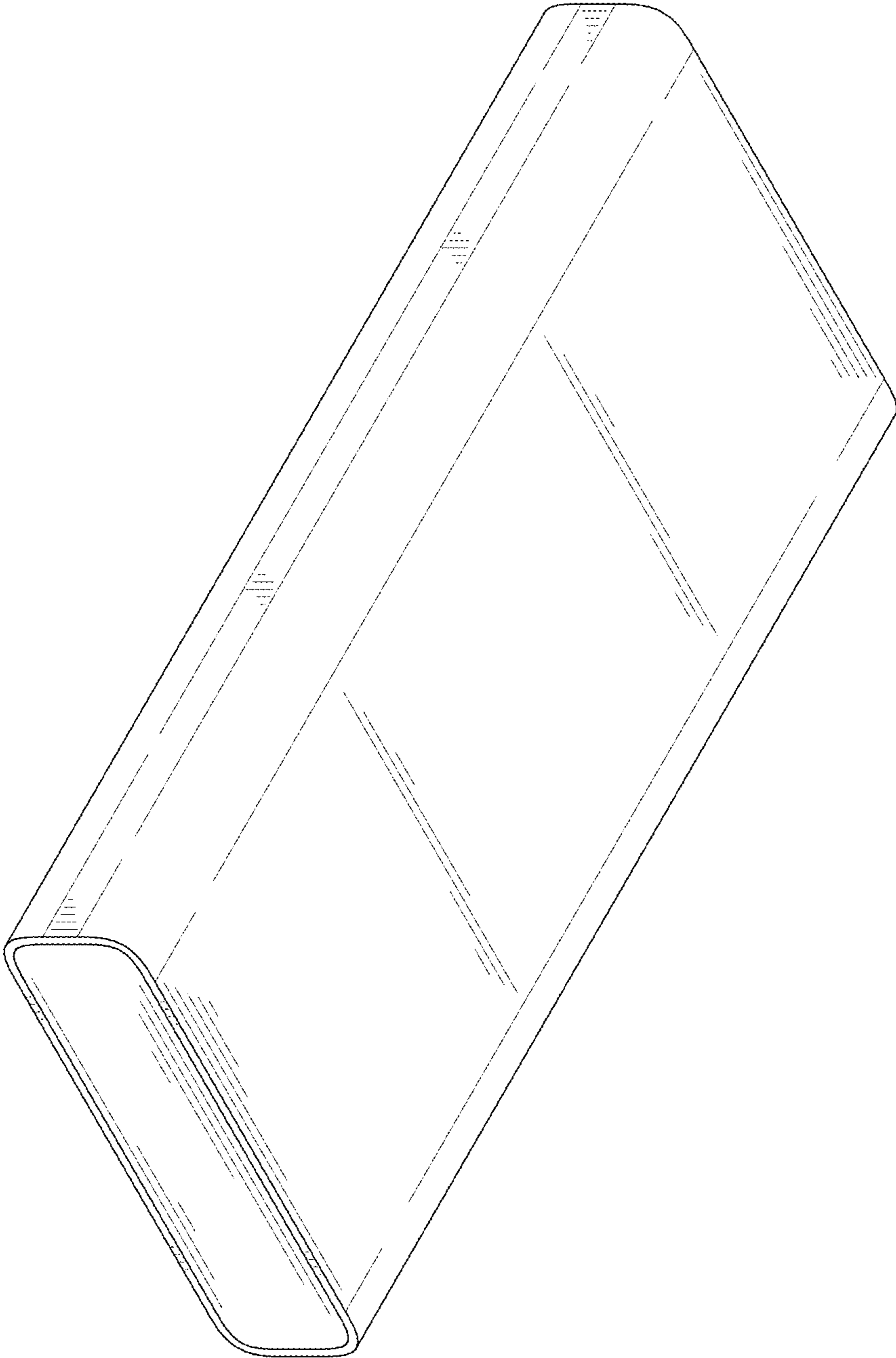


FIG. 2

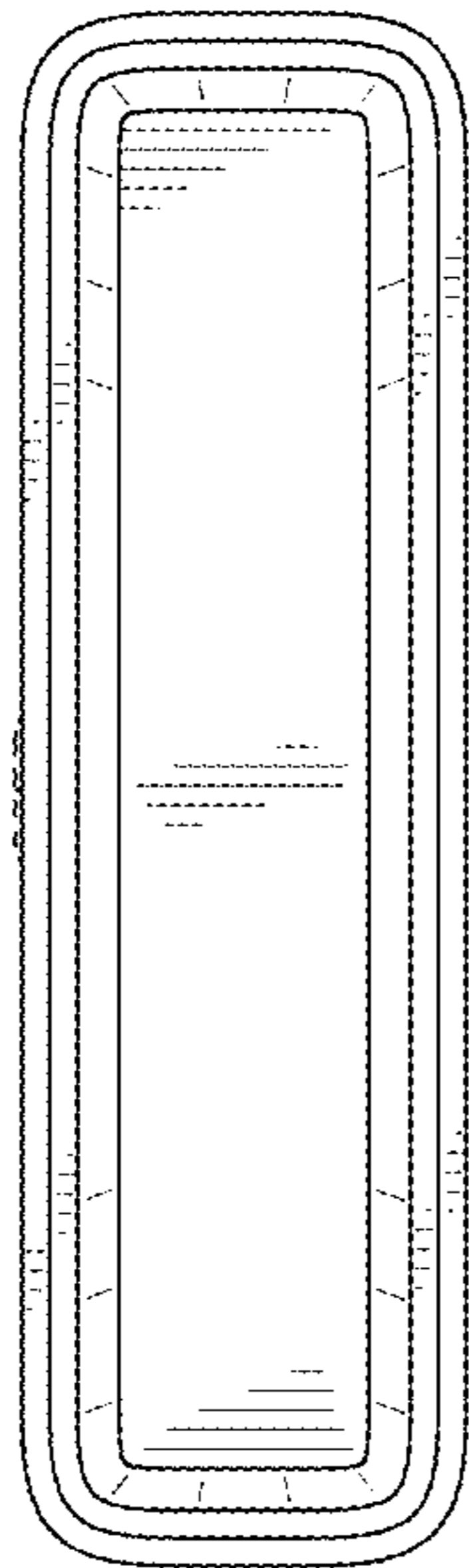


FIG. 3

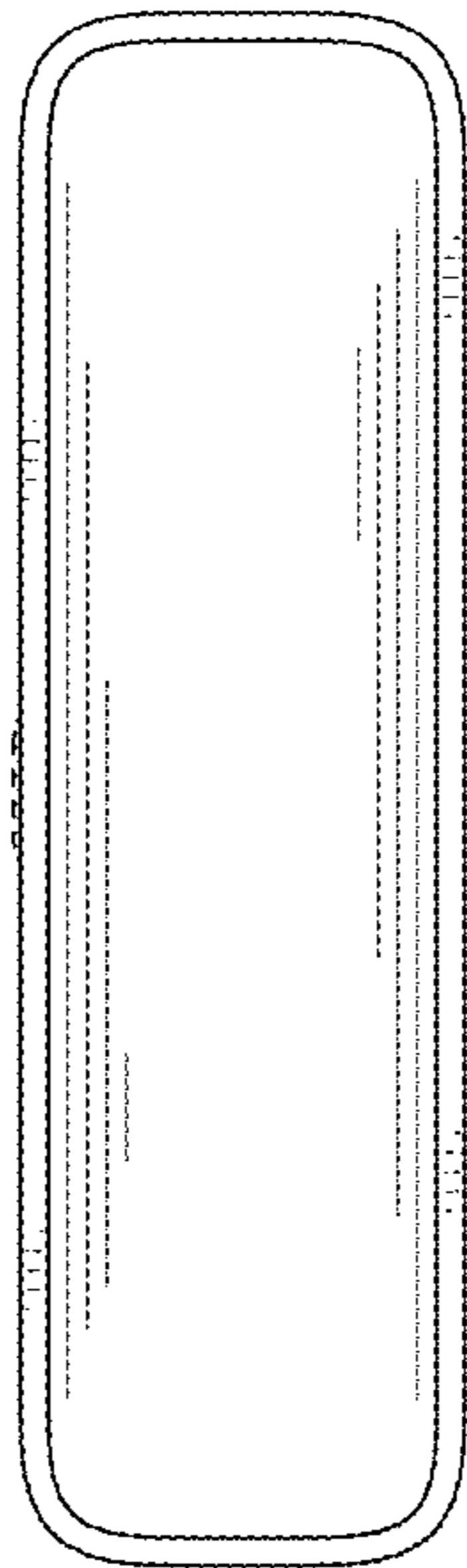


FIG. 4

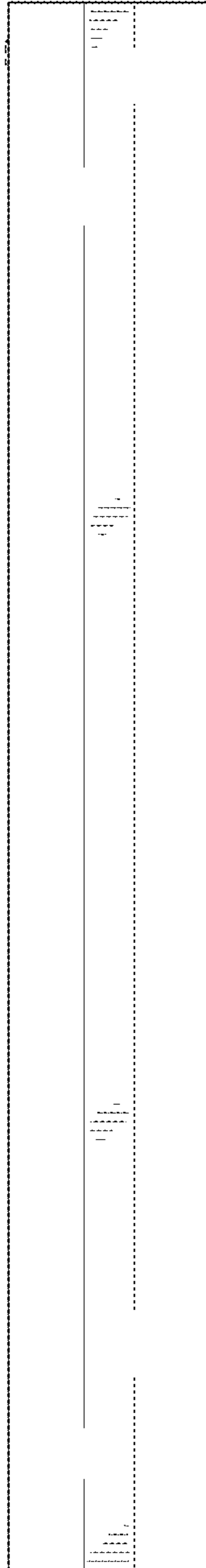


FIG. 5

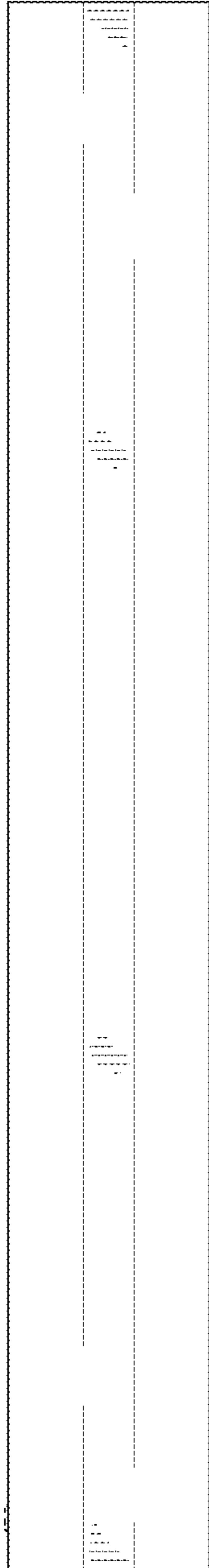


FIG. 6

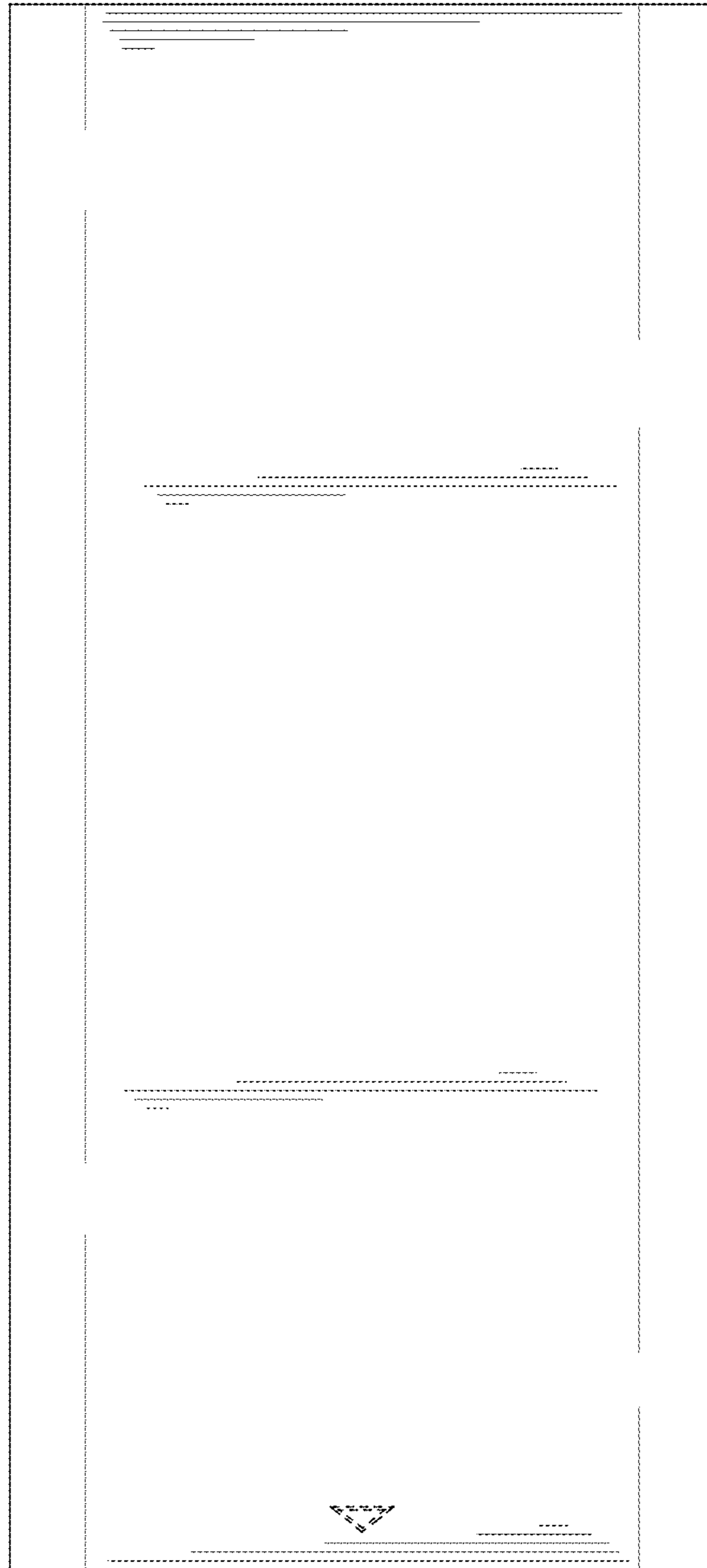


FIG. 7

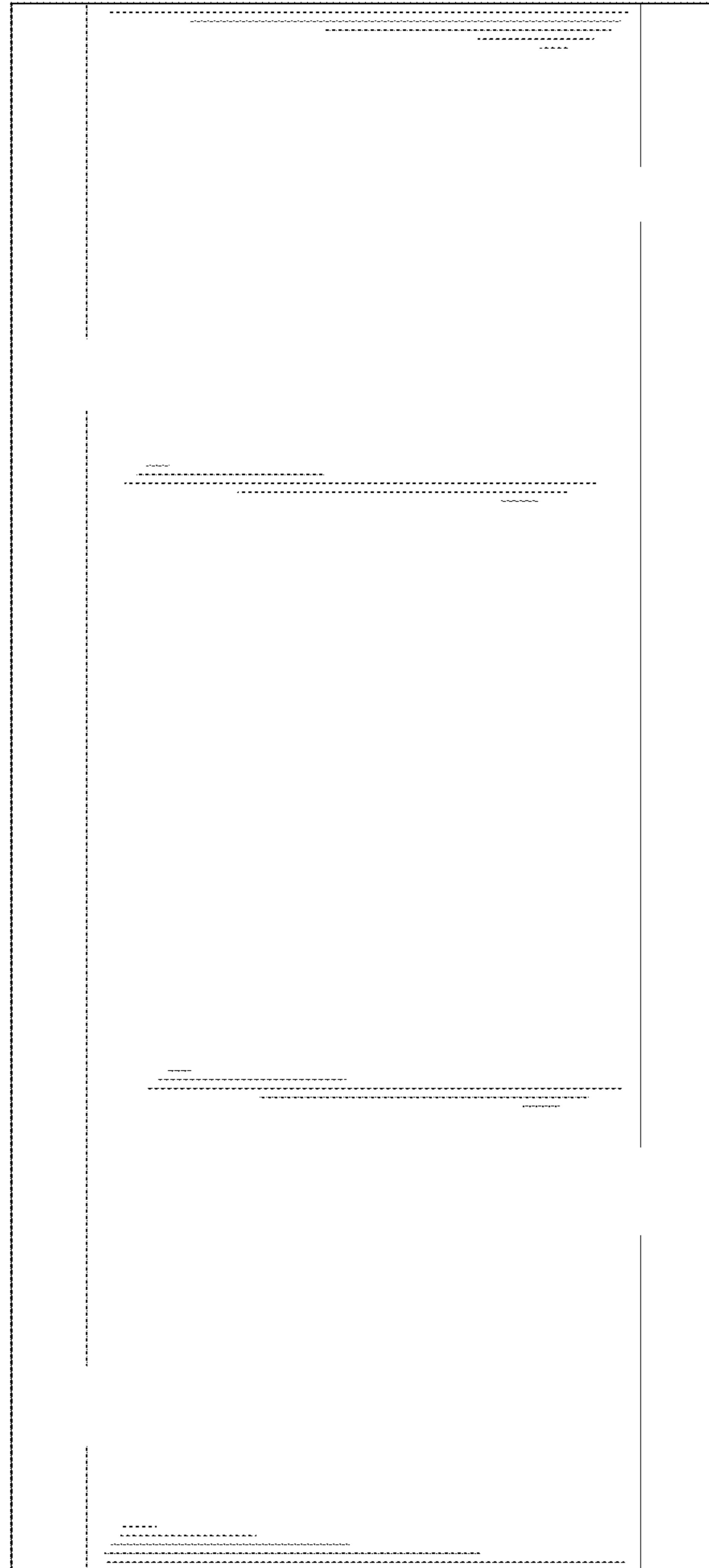


FIG. 8

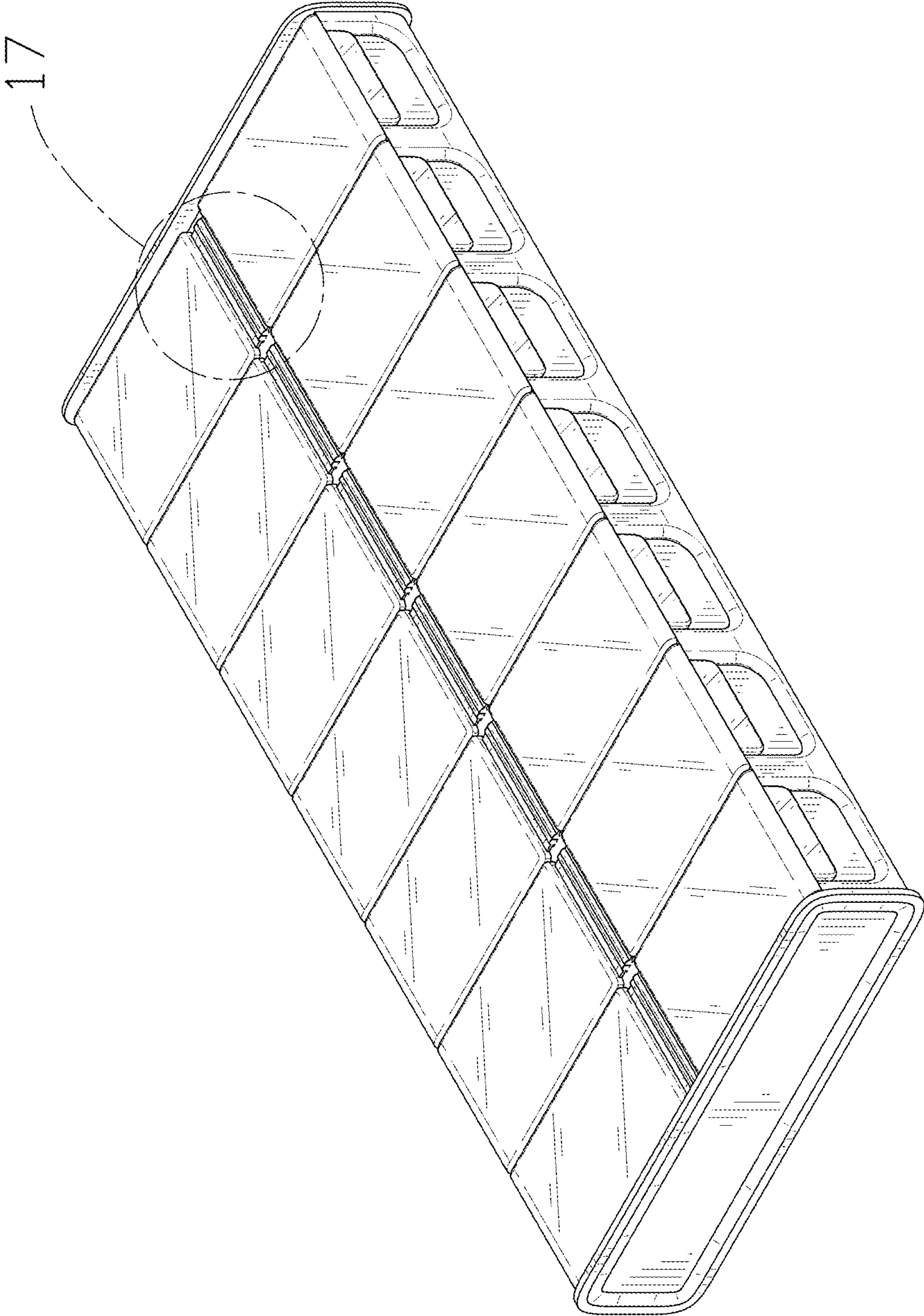


FIG. 9

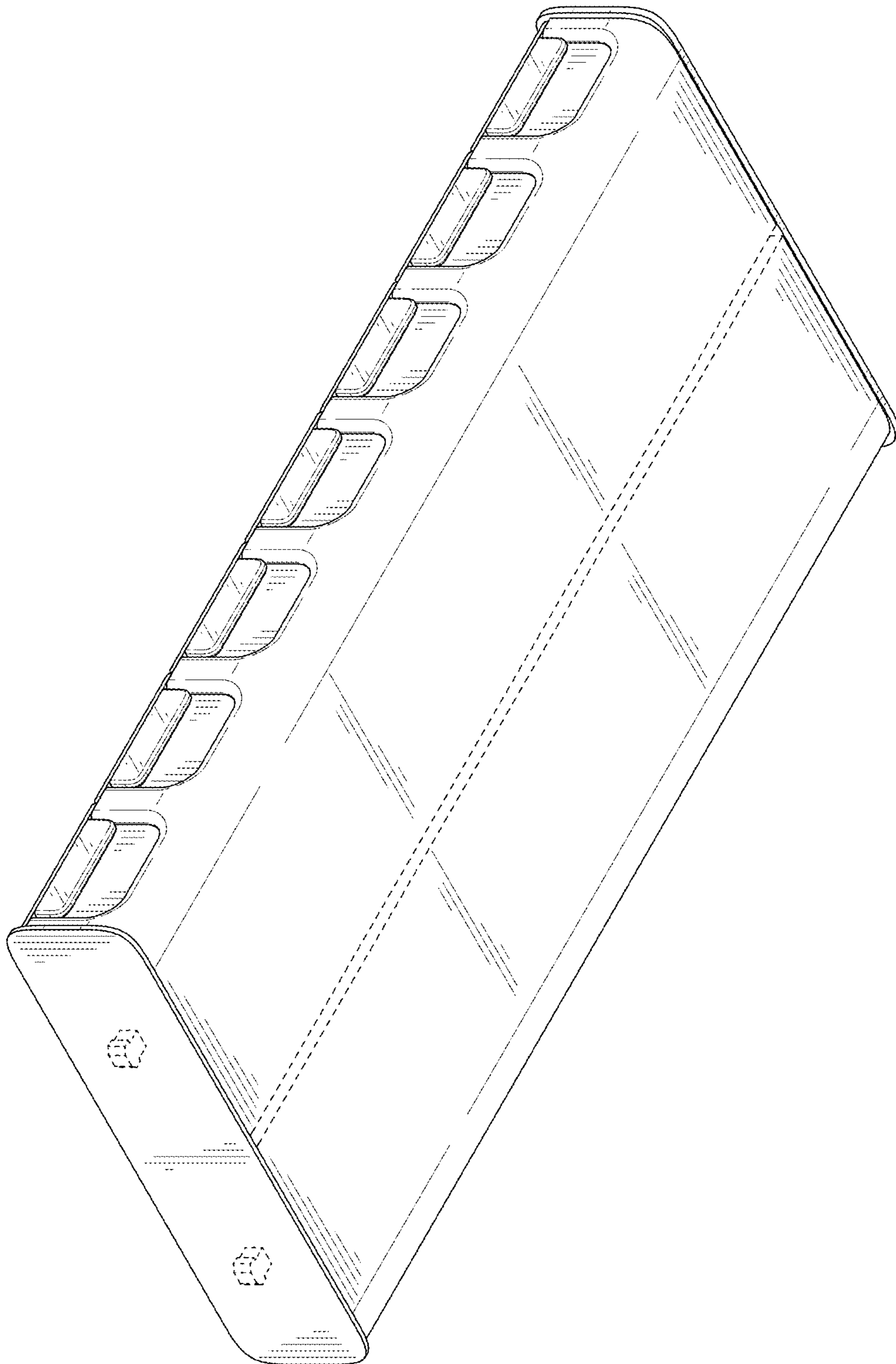


FIG. 10

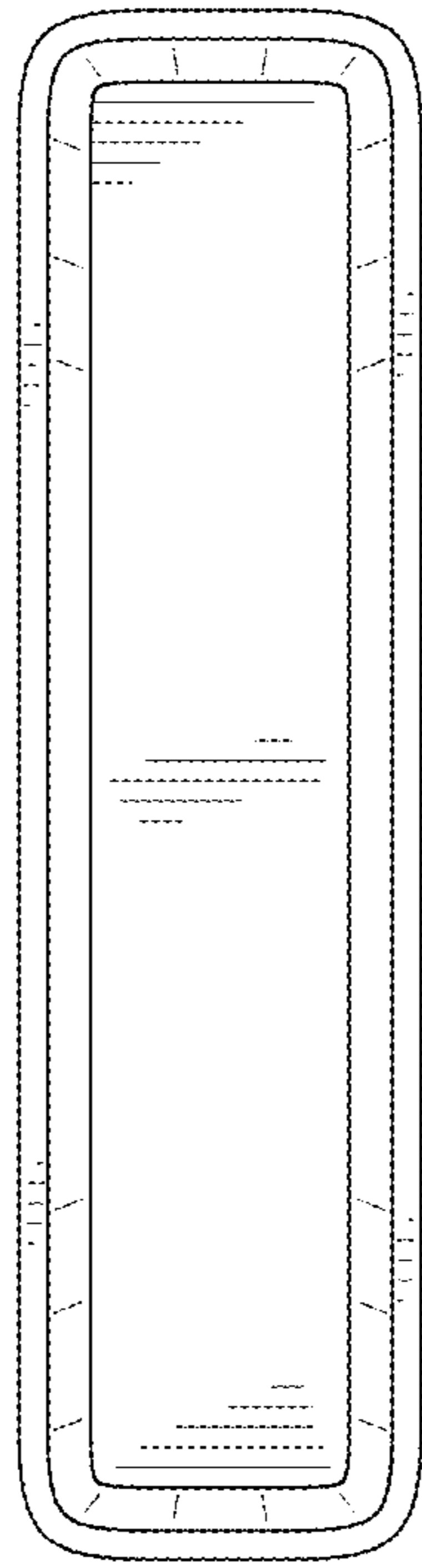


FIG. 11

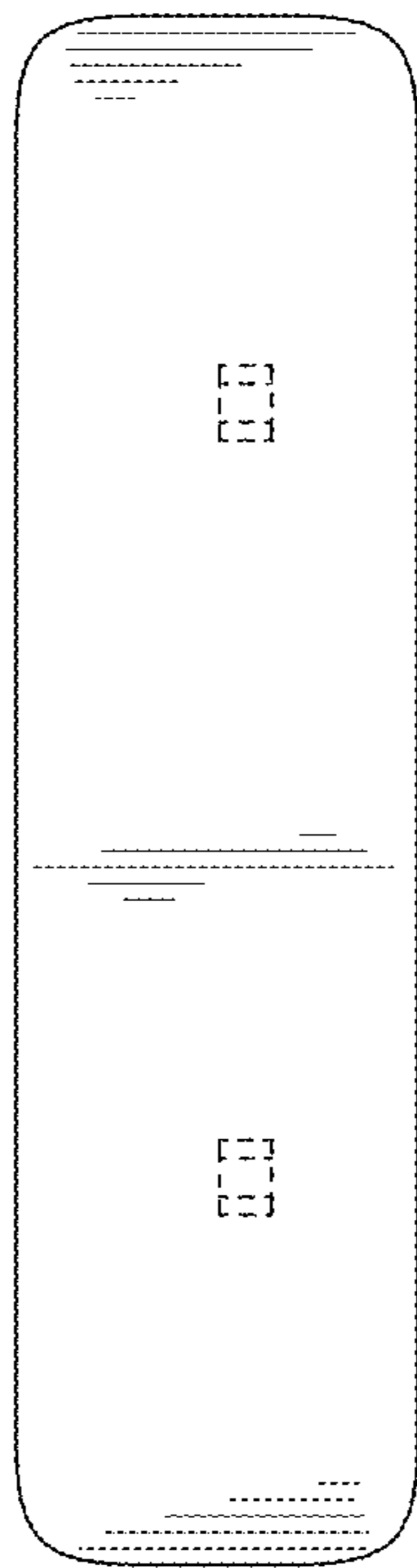


FIG. 12

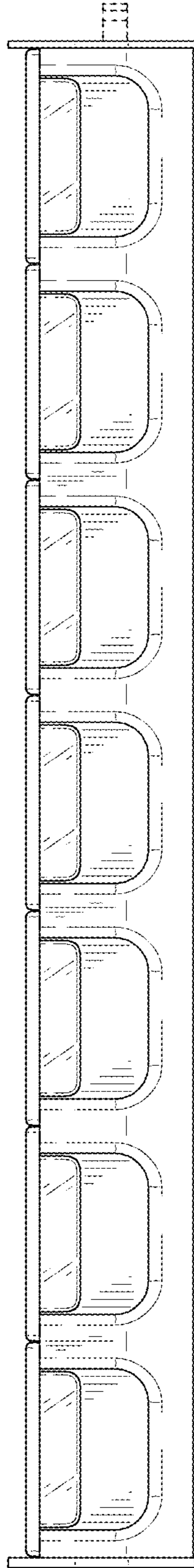


FIG. 13

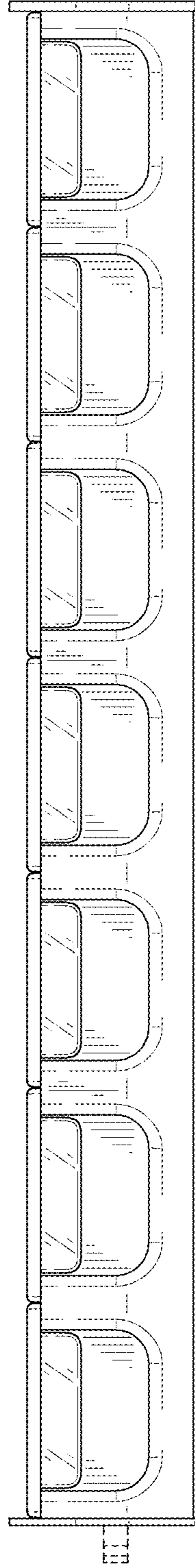


FIG. 14

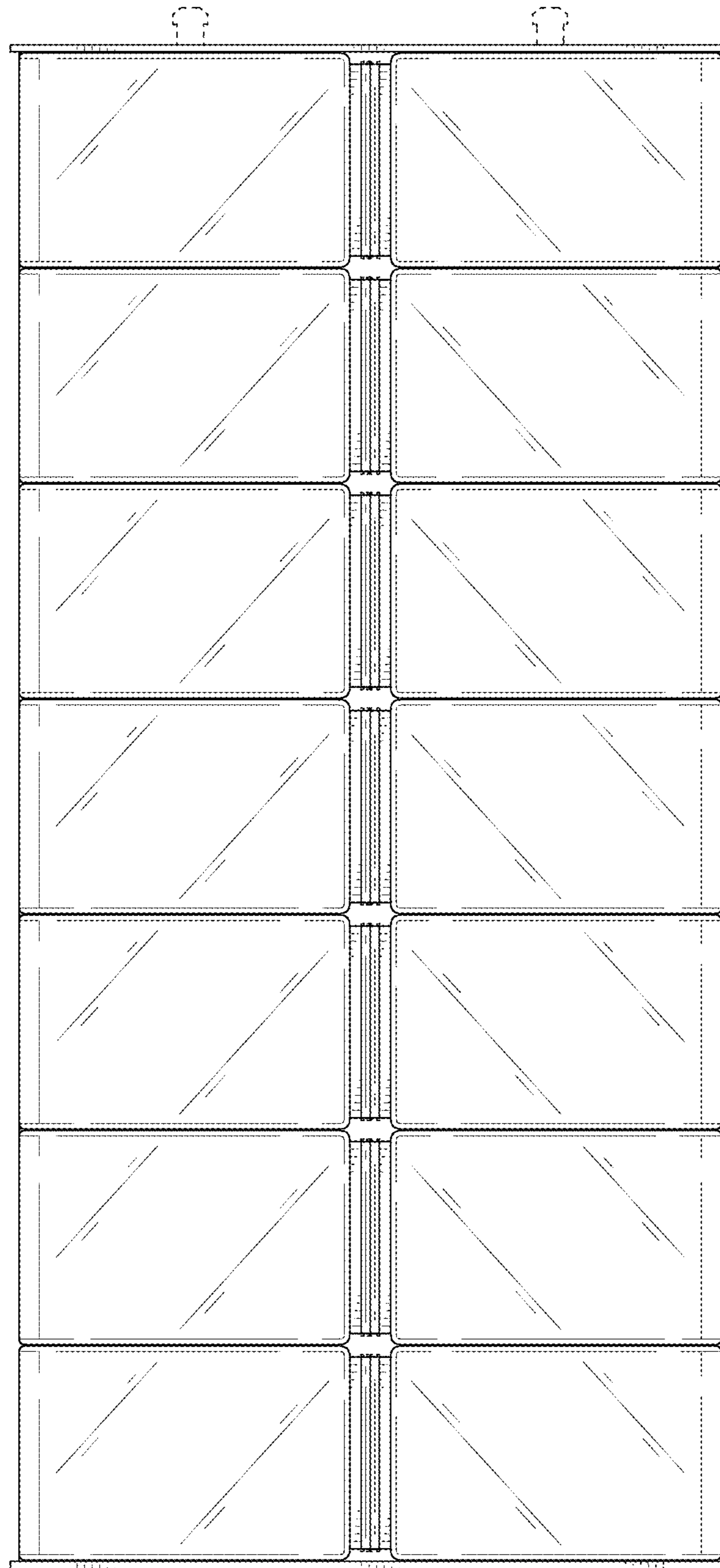


FIG. 15

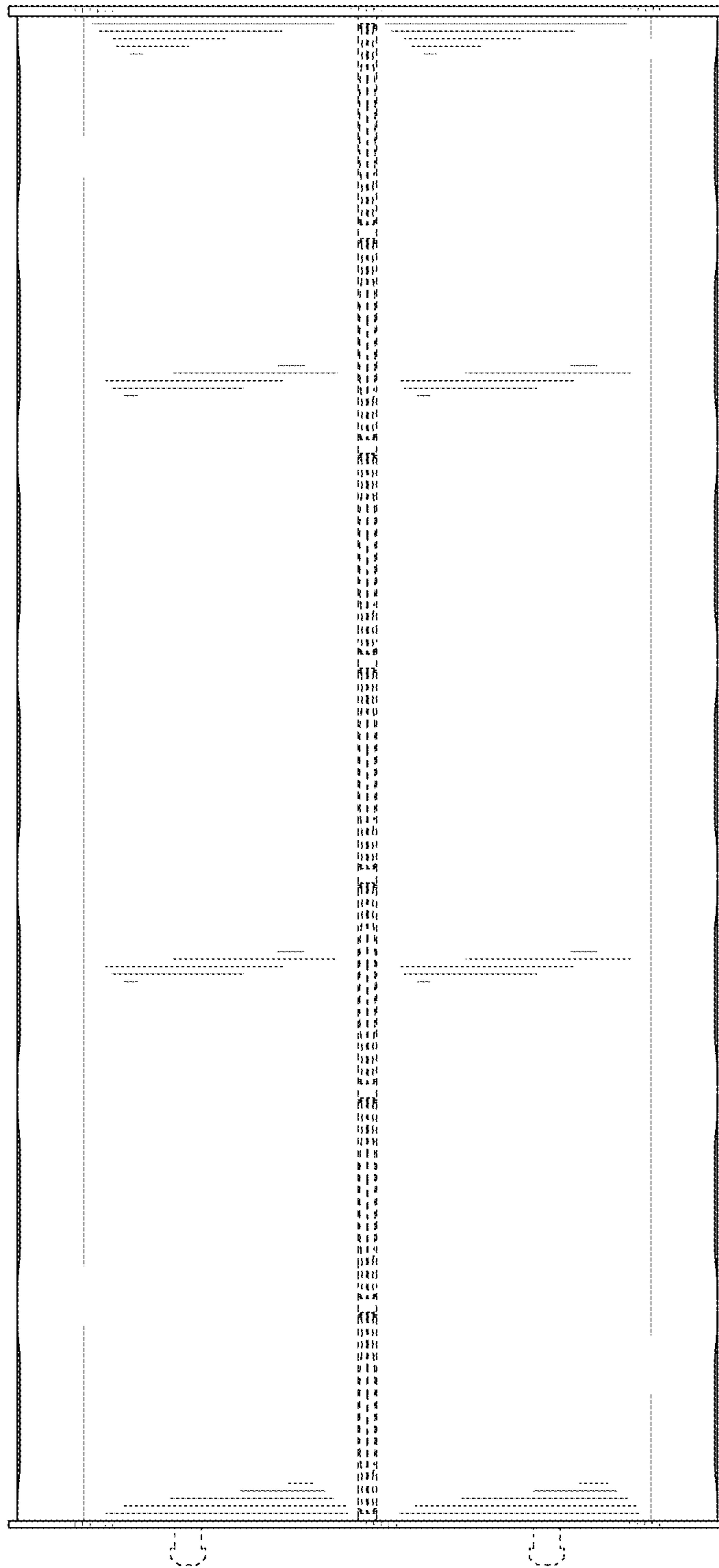


FIG. 16

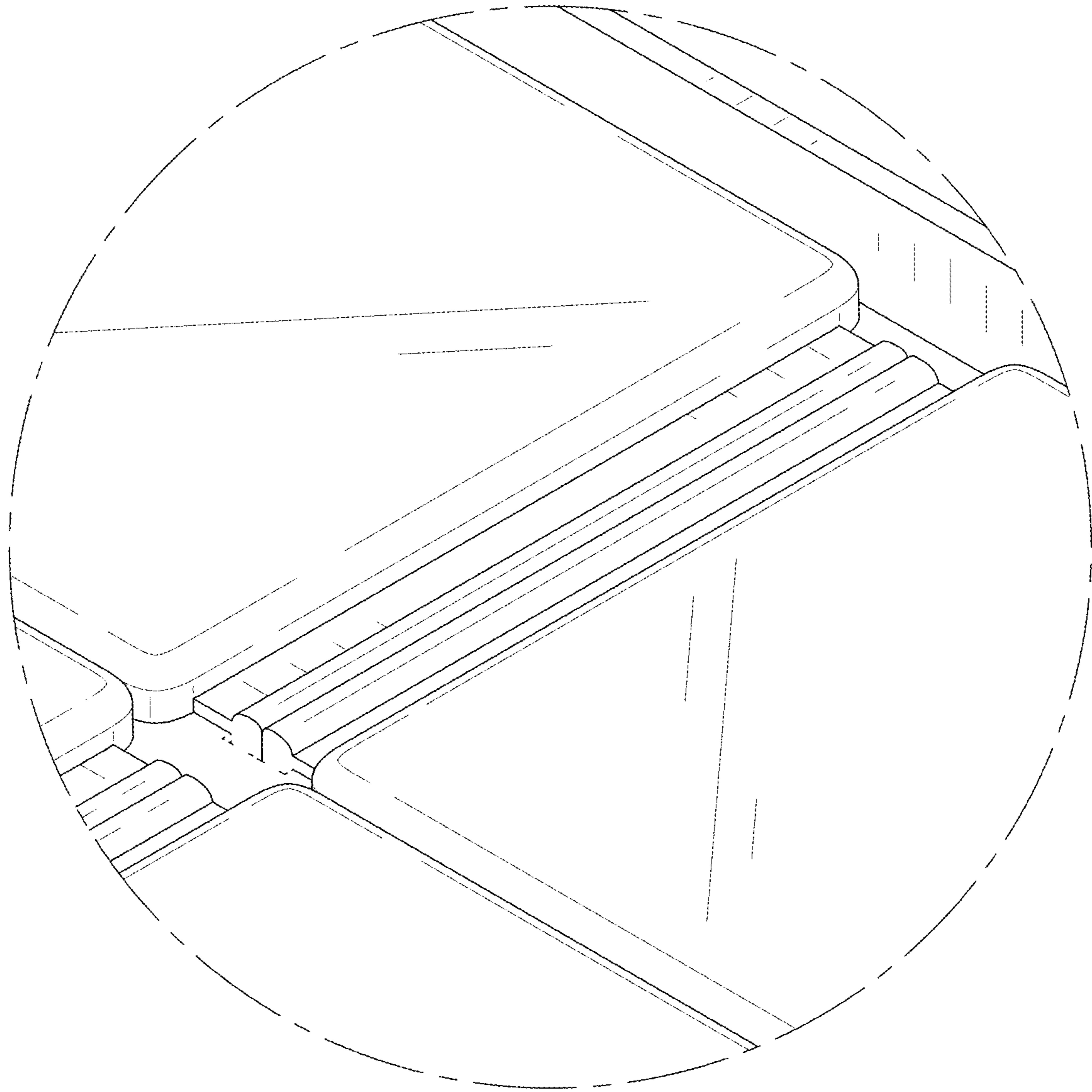


FIG. 17

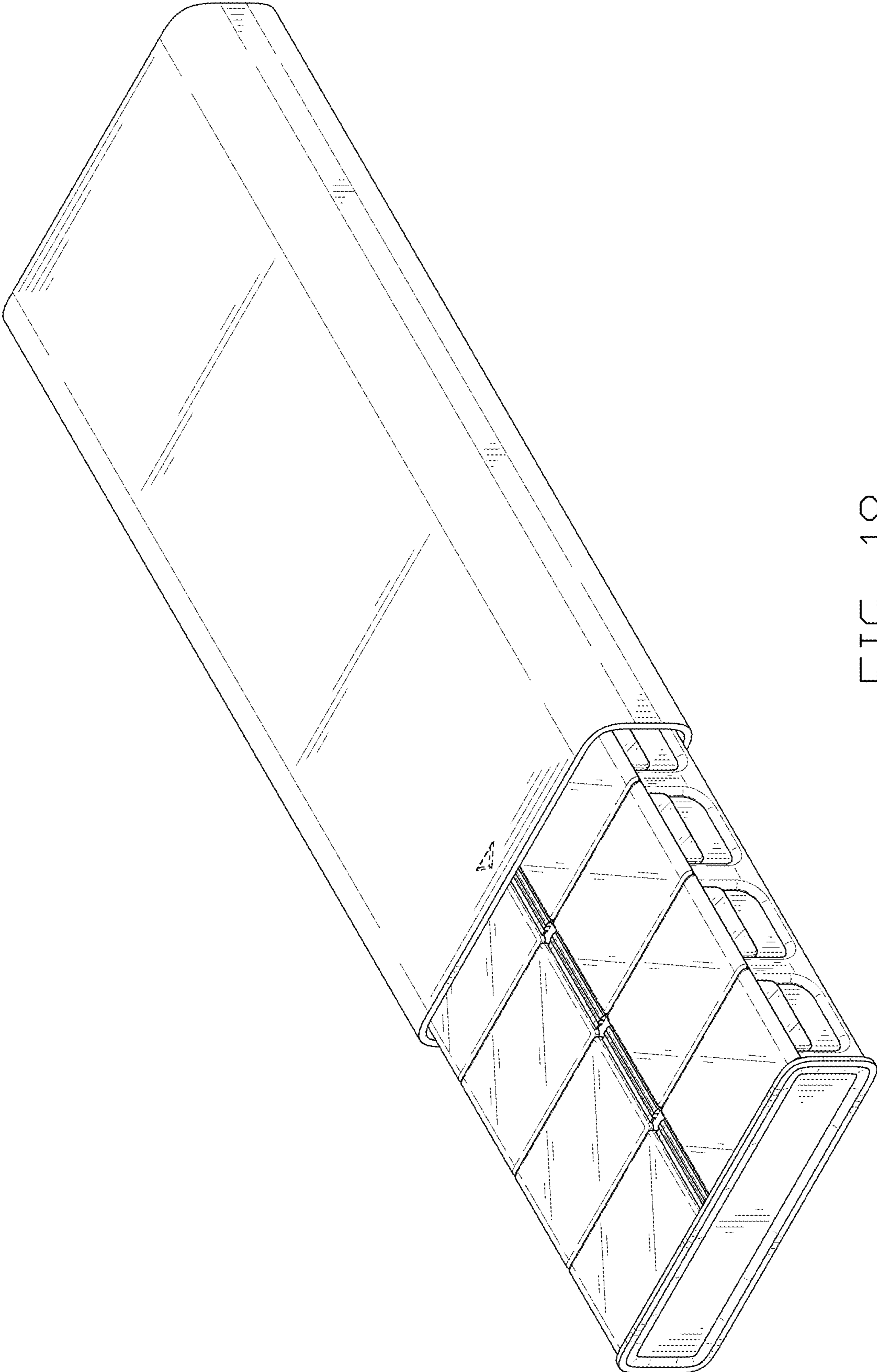


FIG. 18

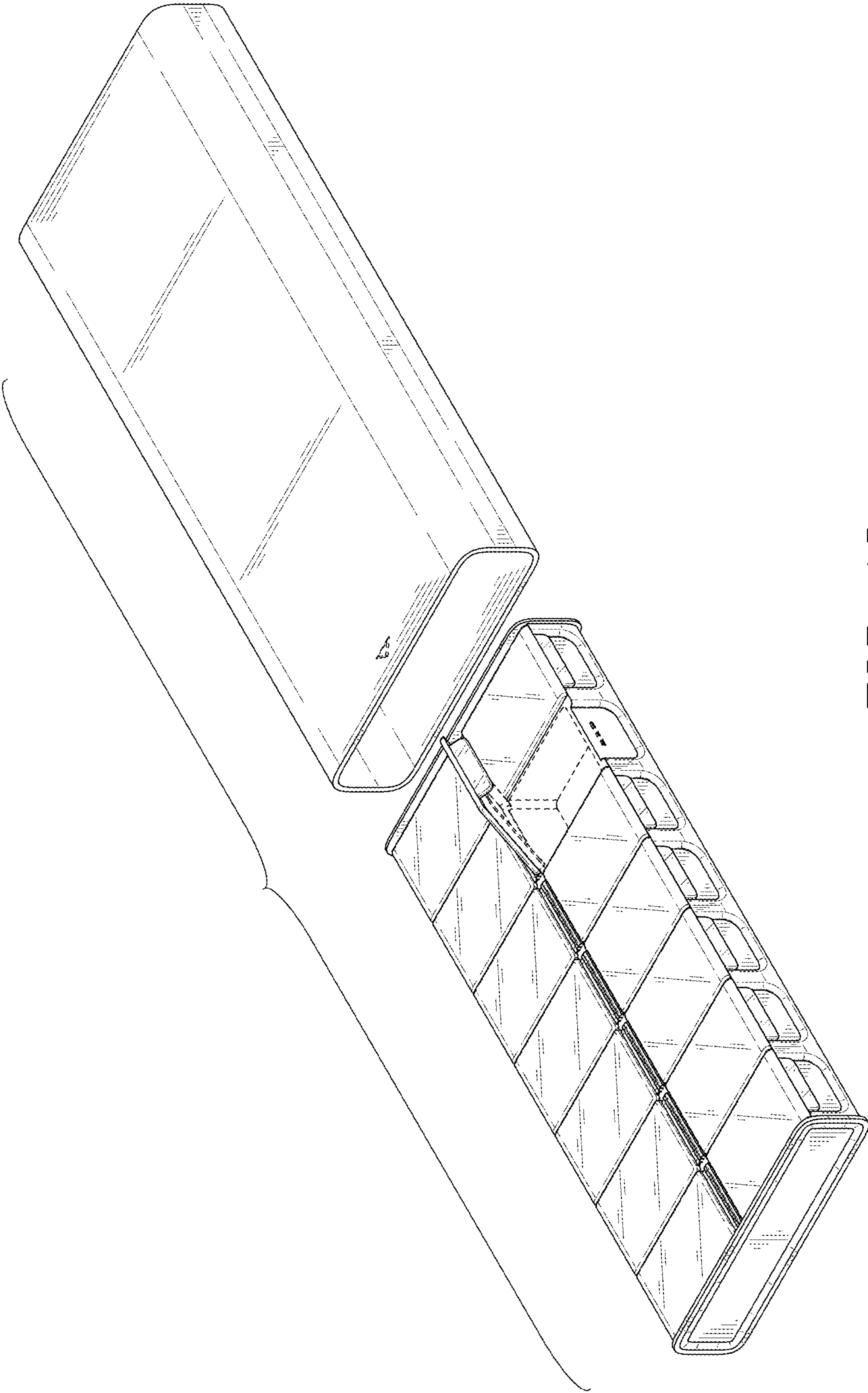


FIG. 19