



US00D965284S

(12) **United States Design Patent** (10) **Patent No.:** **US D965,284 S**
Papel (45) **Date of Patent:** **** *Oct. 4, 2022**

(54) **SOCK WITH ZIPPERED POCKET**

(71) Applicant: **Evan T. Papel**, Carlsbad, CA (US)

(72) Inventor: **Evan T. Papel**, Carlsbad, CA (US)

(*) Notice: This patent is subject to a terminal disclaimer.

(**) Term: **15 Years**

(21) Appl. No.: **29/699,605**

(22) Filed: **Jul. 26, 2019**

(51) **LOC (13) Cl.** **02-04**

(52) **U.S. Cl.**
USPC **D2/980**

(58) **Field of Classification Search**

USPC D24/192; D2/980-994; D29/121.2
CPC A61F 5/0111; A61F 13/066; A61F 5/0127;
A61F 13/08; A61F 13/101; A61F 5/14;
A61F 13/065; A41B 11/02; A41B 11/003;
A41B 2400/20; A41B 2400/60; D04B
1/26

See application file for complete search history.

(56) **References Cited**

U.S. PATENT DOCUMENTS

2,039,197	A *	4/1936	Strieby	A41B 11/006 D2/980
2,405,964	A *	8/1946	Lauria	A41D 27/20 2/254
2,890,461	A *	6/1959	Hartman	A41B 11/006 2/247
4,166,463	A *	9/1979	Bloom	A61F 13/085 2/239
4,445,233	A *	5/1984	Rubin	A41B 11/006 2/239
4,451,935	A *	6/1984	Henschel	A42B 1/241 2/253

(Continued)

OTHER PUBLICATIONS

Flippysock Zipper Sock Wallet, first available on Amazon Jul. 23, 2019, viewed on Jun. 29, 2021; available at URL: https://www.amazon.com/Flippysock-Zipper-Sock-Wallet/dp/B07VGD23WZ/ref=asc_df_B07VGD23WZ?tag=bingshoppinga-20&linkCode=df0&hvadid=80745477058848&hvnetw=o&hvqmt=e&hvbmt=be&hvdev=c&hvlocint=&hvlocphy=&hvtargid=p.*

amazon.com/Flippysock-Zipper-Sock-Wallet/dp/B07VGD23WZ/ref=asc_df_B07VGD23WZ?tag=bingshoppinga-20&linkCode=df0&hvadid=80745477058848&hvnetw=o&hvqmt=e&hvbmt=be&hvdev=c&hvlocint=&hvlocphy=&hvtargid=p.*

(Continued)

Primary Examiner — Jennifer L Watkins

(74) *Attorney, Agent, or Firm* — Lance M. Pritikin

(57) **CLAIM**

The ornamental design for a sock with zippered pocket, as shown and described.

DESCRIPTION

FIG. 1 is a side perspective view of a sock with zippered pocket, showing my new design;
FIG. 2 is a front elevation view thereof;
FIG. 3 is a rear elevation view thereof;
FIG. 4 is a left side elevation view thereof;
FIG. 5 is a right side elevation view thereof;
FIG. 6 is a tip plan view thereof;
FIG. 7 is a bottom plan view thereof;
FIG. 8 is a cross-sectional view taken along line 8-8 of FIG. 4;
FIG. 9 is an inside-out view thereof; and,
FIG. 10 is a left side elevation view thereof, showing the interior of the pocket with the zipper in an open condition. The evenly-dashed broken lines on claimed surfaces depict surface ornamentation applied to the article and form no part of the claim.
The evenly-dashed lines in FIG. 8 depict the cut line and form no part of the claim.
In FIGS. 6, 8, 9 and 10, the pocket of the article is shown with a first-density stippling pattern. In FIGS. 1-4, 7, 8 and 10, the zipper portion of the article is shown with a second-density stippling pattern. The external surface of the sock is shown throughout the figures with a lack of stippling. These distinctions in stippling represent a claimed surface contrast between the zipper, the pocket, and the external surface of the sock.

1 Claim, 7 Drawing Sheets



(56)

References Cited

U.S. PATENT DOCUMENTS

4,532,656 A * 8/1985 Suzuki A41D 27/20
2/247
4,602,390 A * 7/1986 Morera A41D 27/20
2/247
4,961,235 A * 10/1990 Williger A41B 11/006
2/239
5,133,091 A * 7/1992 del Valle Mas A41B 11/006
2/239
D344,175 S * 2/1994 Decker D2/992
D410,088 S * 5/1999 Rutledge D24/190
D410,694 S * 6/1999 Hooglander D2/972
D445,247 S * 7/2001 Asakura D2/980
D474,892 S * 5/2003 Vazquez D2/857
D594,221 S * 6/2009 Giardina D2/980
D596,839 S * 7/2009 Badamo D2/980
D696,507 S * 12/2013 Tharp D2/980
D781,048 S 3/2017 Couture
D801,038 S * 10/2017 Mack D2/980
D801,679 S * 11/2017 Director D2/980
D871,052 S * 12/2019 Overton D2/980
2004/0237174 A1 * 12/2004 Papel A41B 11/006
2/239
2005/0076421 A1 * 4/2005 Littzi A41B 11/02
2/239

OTHER PUBLICATIONS

Black Dress Socks with Hidden Zipper Pocket, first available on Amazon Nov. 15, 2017, viewed on Jun. 29, 2021; available at URL: https://www.amazon.com/Hidden-Zipper-Pocket-Cotton-Spandex-2-pairs/dp/B077H6S5MC/ref=sr_1_12?dchild=1&keywords=zipper+sock+wallet&qid=1625003122&sr=8-12.
*
Pocket Socks Men with Zip Security Pocket by Pocket Socks, First Available on Amazon Sep. 7, 2018, viewed by Examiner May 20, 2022, available online at URL: https://www.amazon.com/Pocket-Socks-Rainbow-Cotton-Security/dp/B07T1M11GT/ref=pd_sbs_sccl_3_5/146-6650508-4954443?pd_rd_w=xxRml&pf_rd_p=f20cd814-1d01-49fb-93a8-8302.
*
“Zip It Gear—Socks with Zippers”, Gear Junkie by Stephen Rgenold on Oct. 13, 2004, viewed by Examiner May 20, 2022, available on URL: <https://gearjunkie.com/footwear/zip-it-gear-socks-with-zippers>.
*
Passport Security Pocket Socks by Zip It Gear, available on YouTube Nov. 2, 2014, viewed by Examiner May 20, 2022, available at URL: <https://www.youtube.com/watch?v=Hfl-PpjghjQ>.
*

* cited by examiner

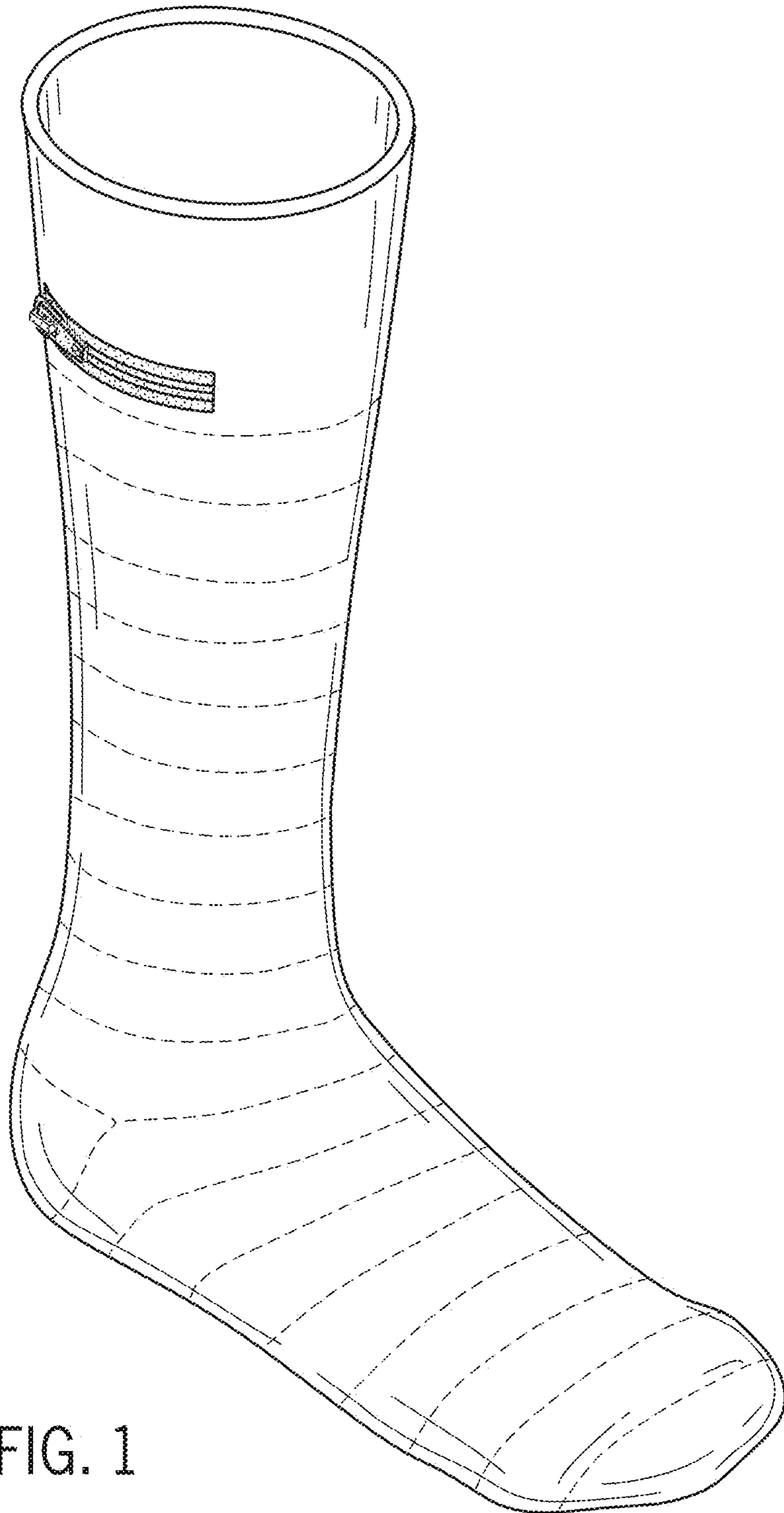


FIG. 1

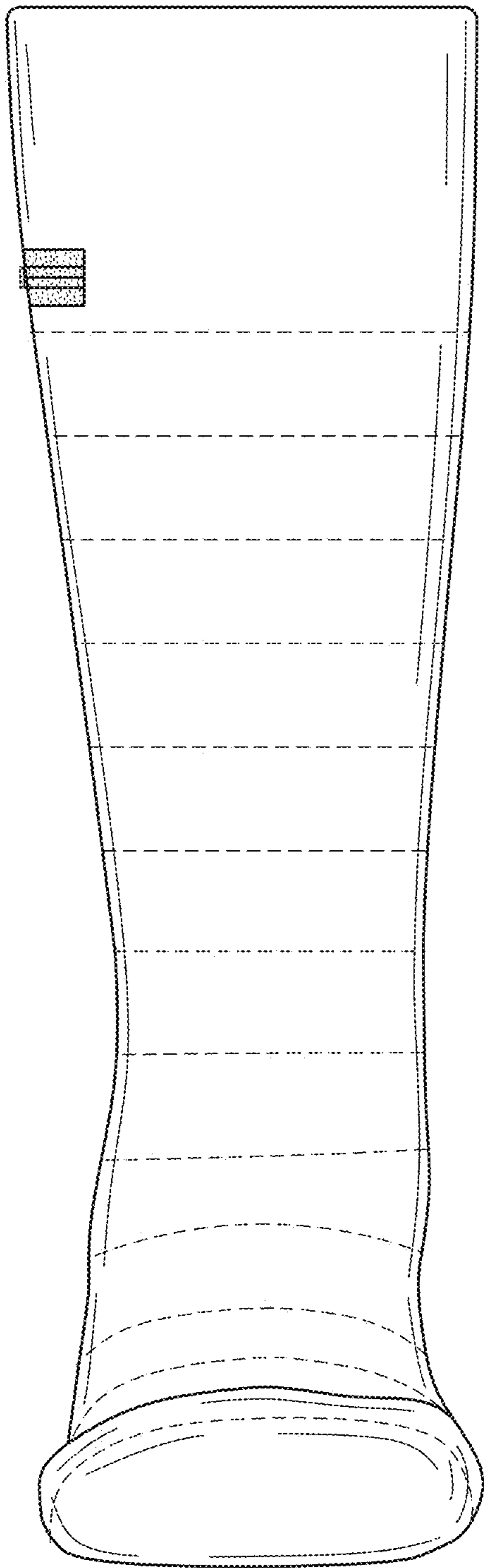


FIG. 2

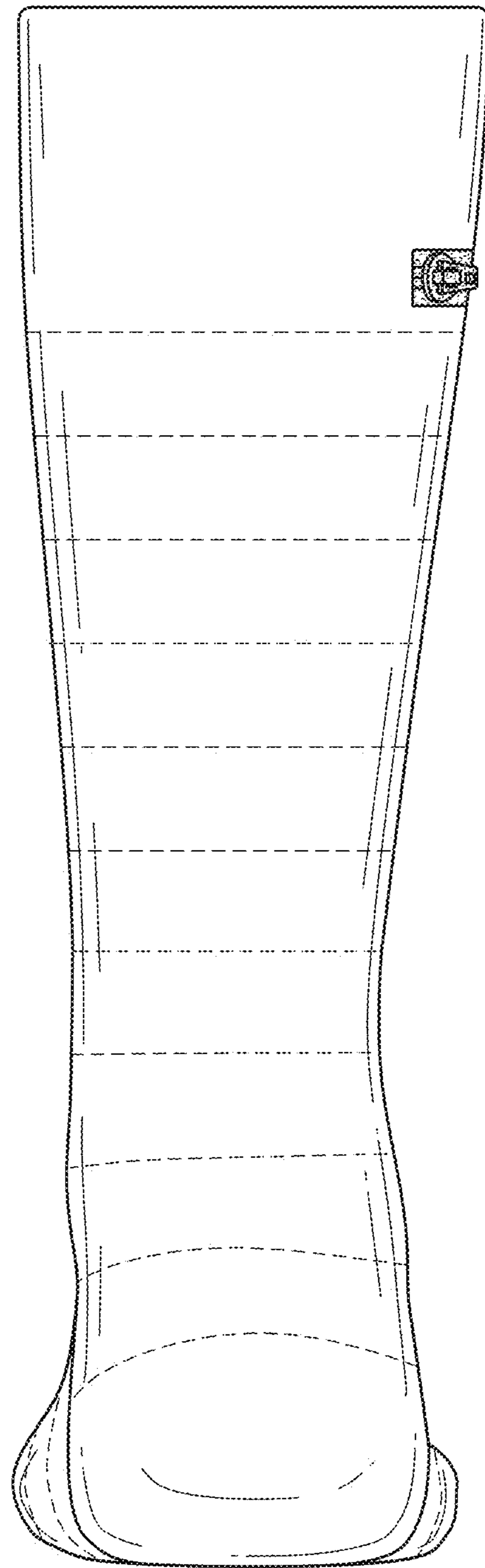


FIG. 3

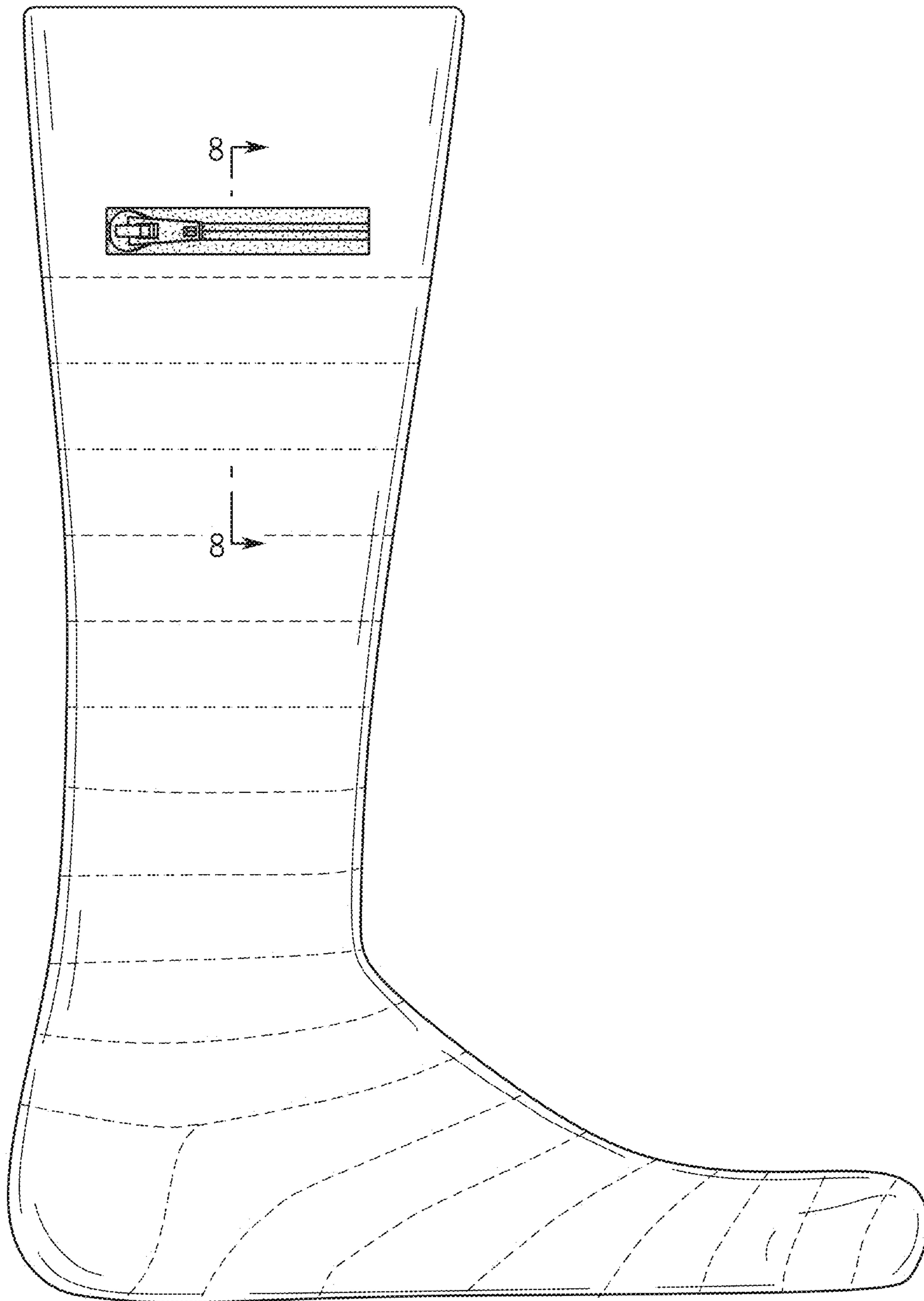


FIG. 4

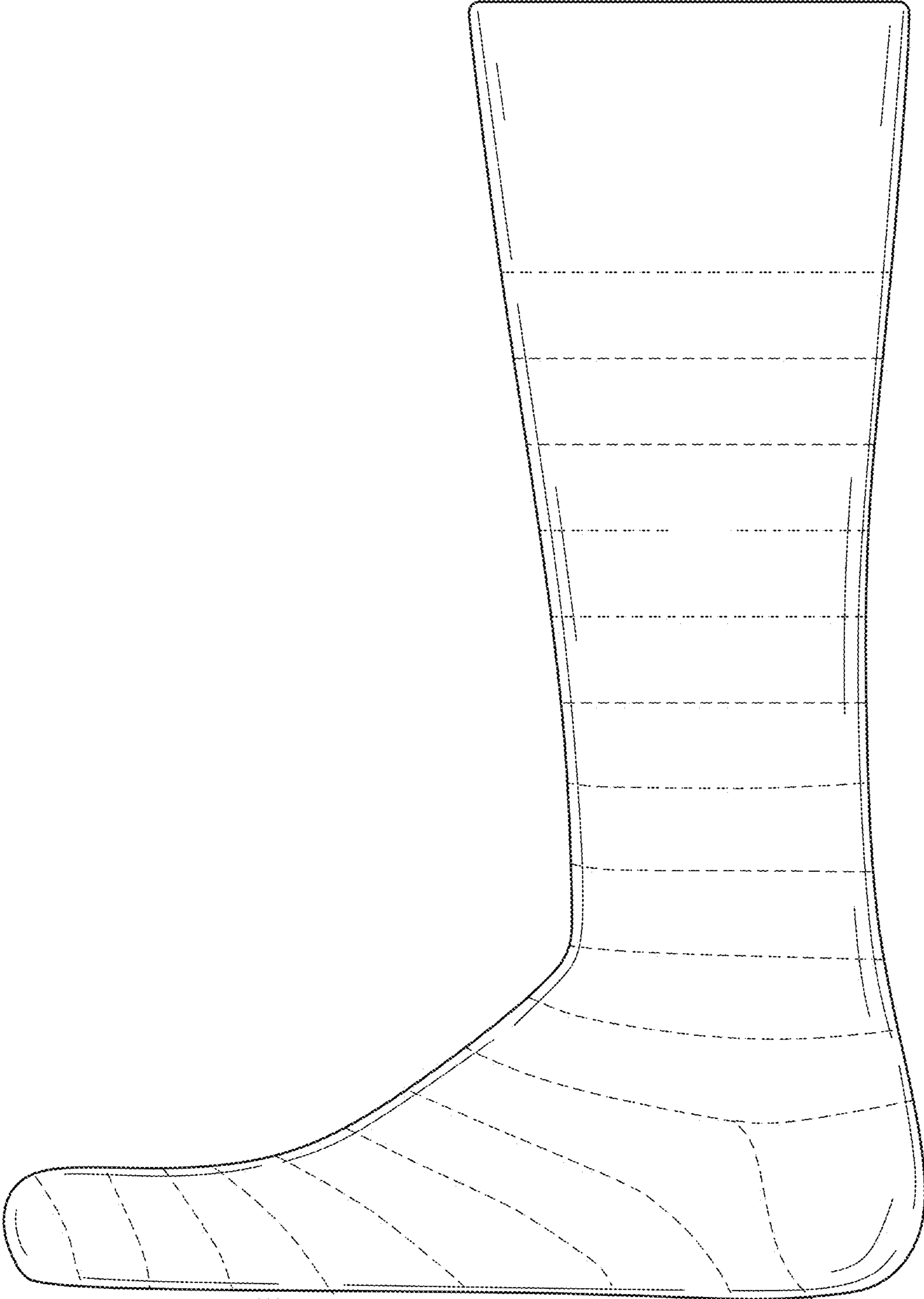


FIG. 5

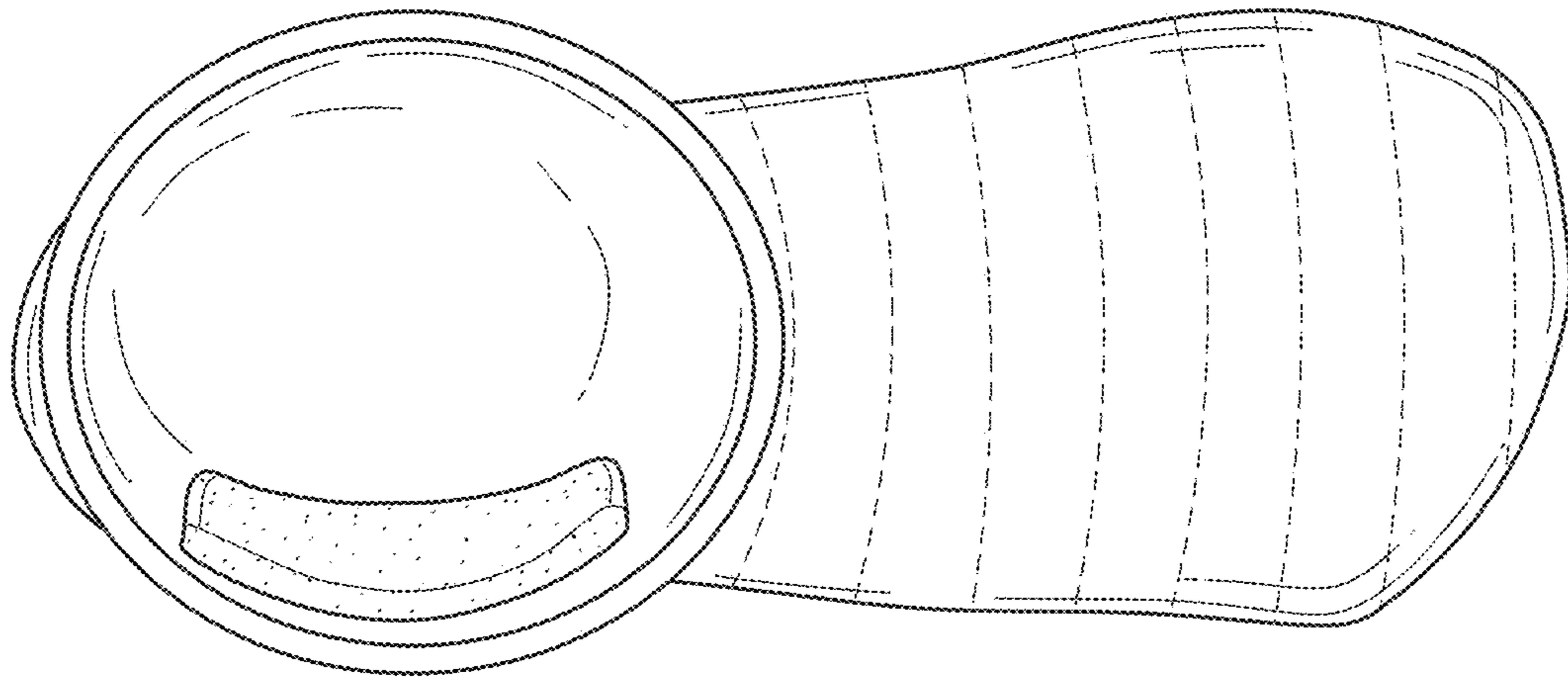


FIG. 6

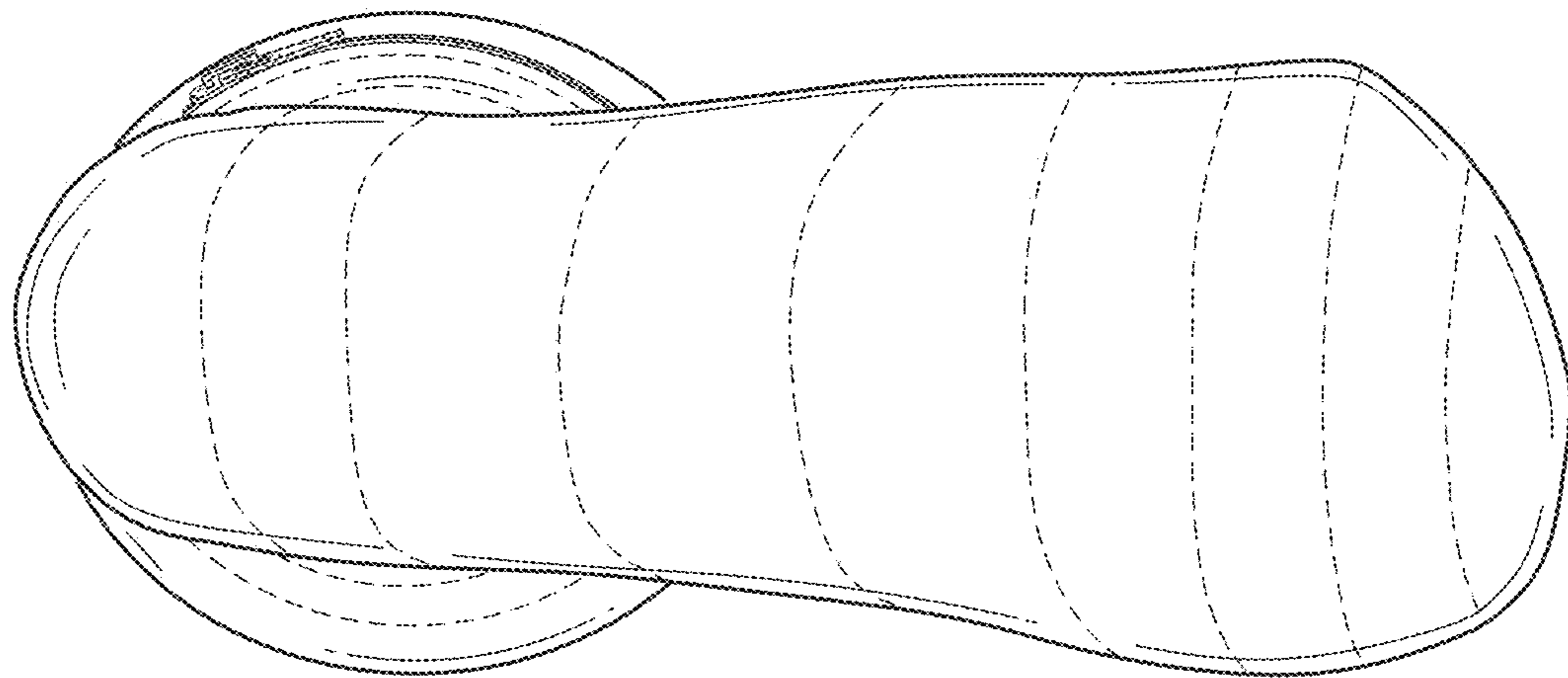


FIG. 7

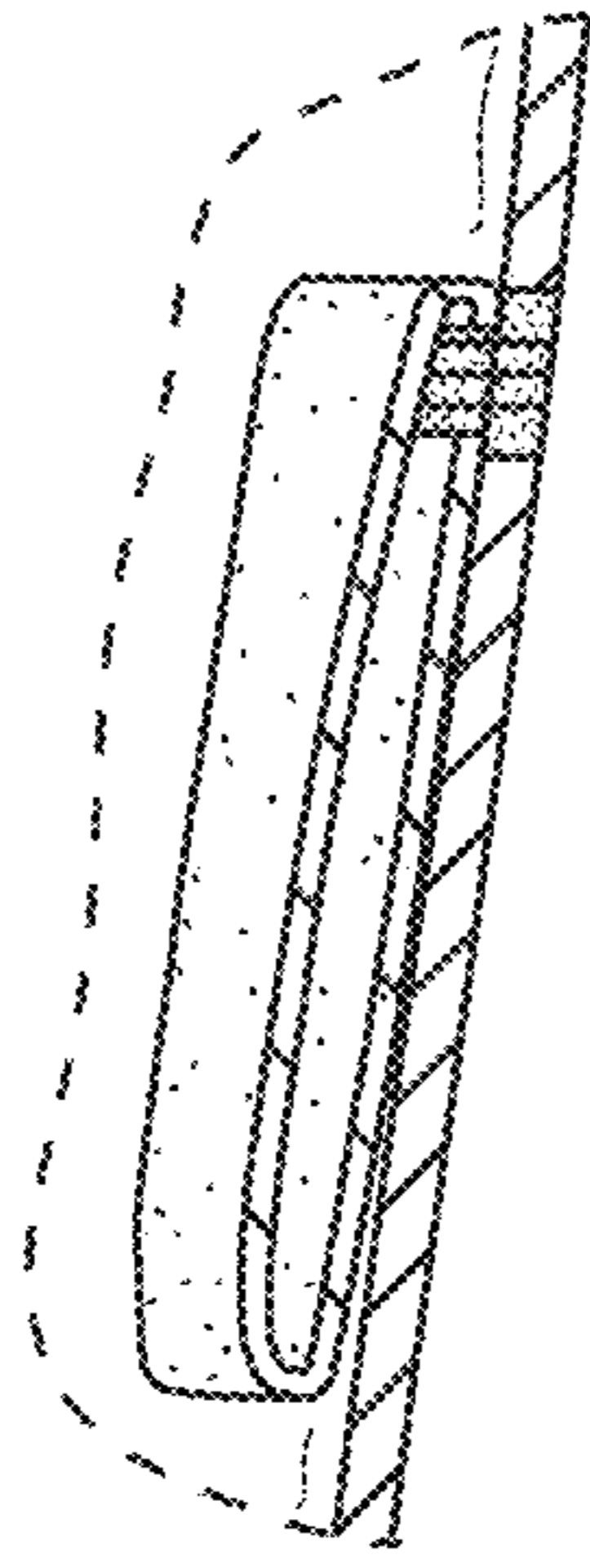


FIG. 8

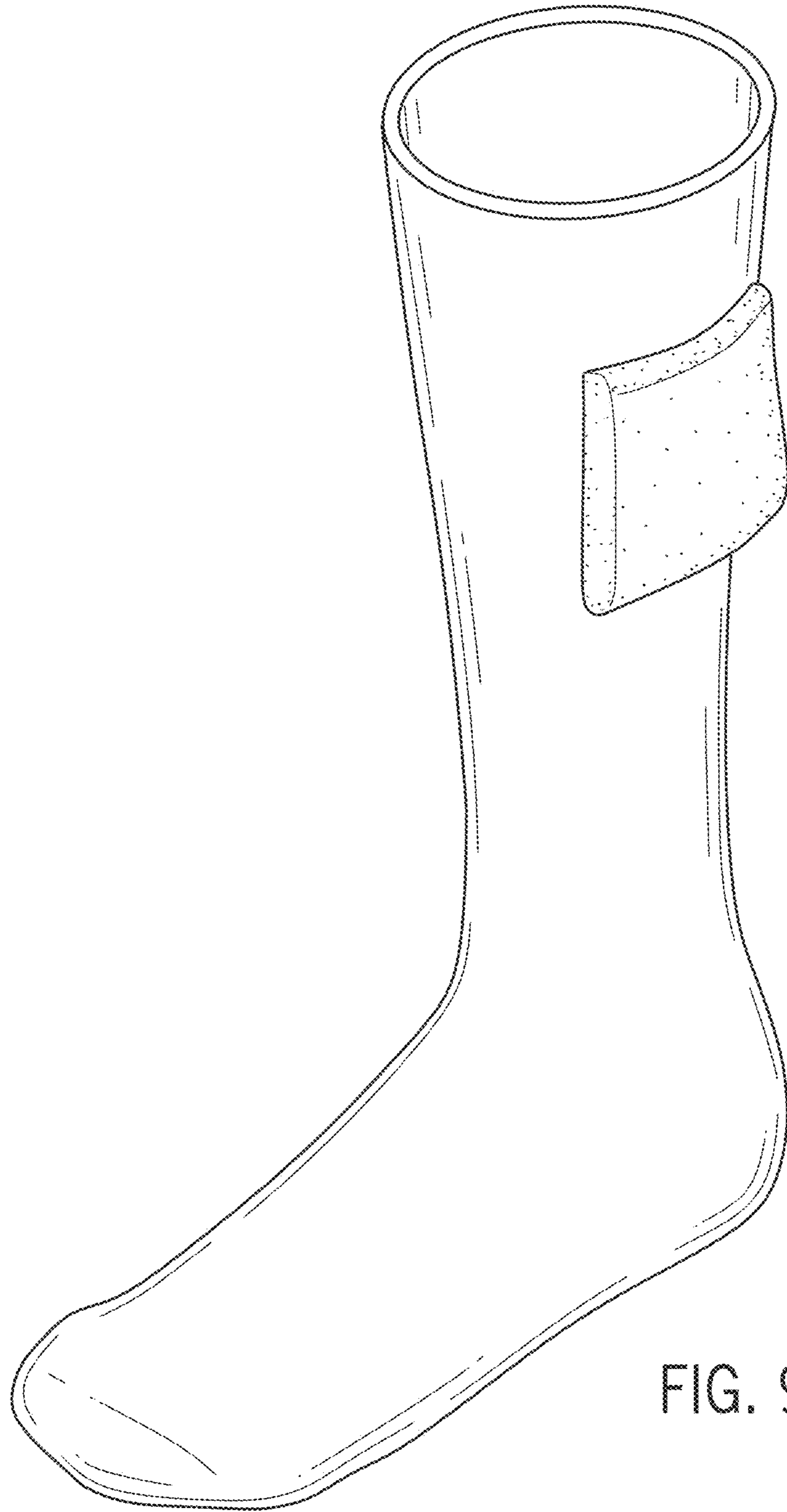


FIG. 9

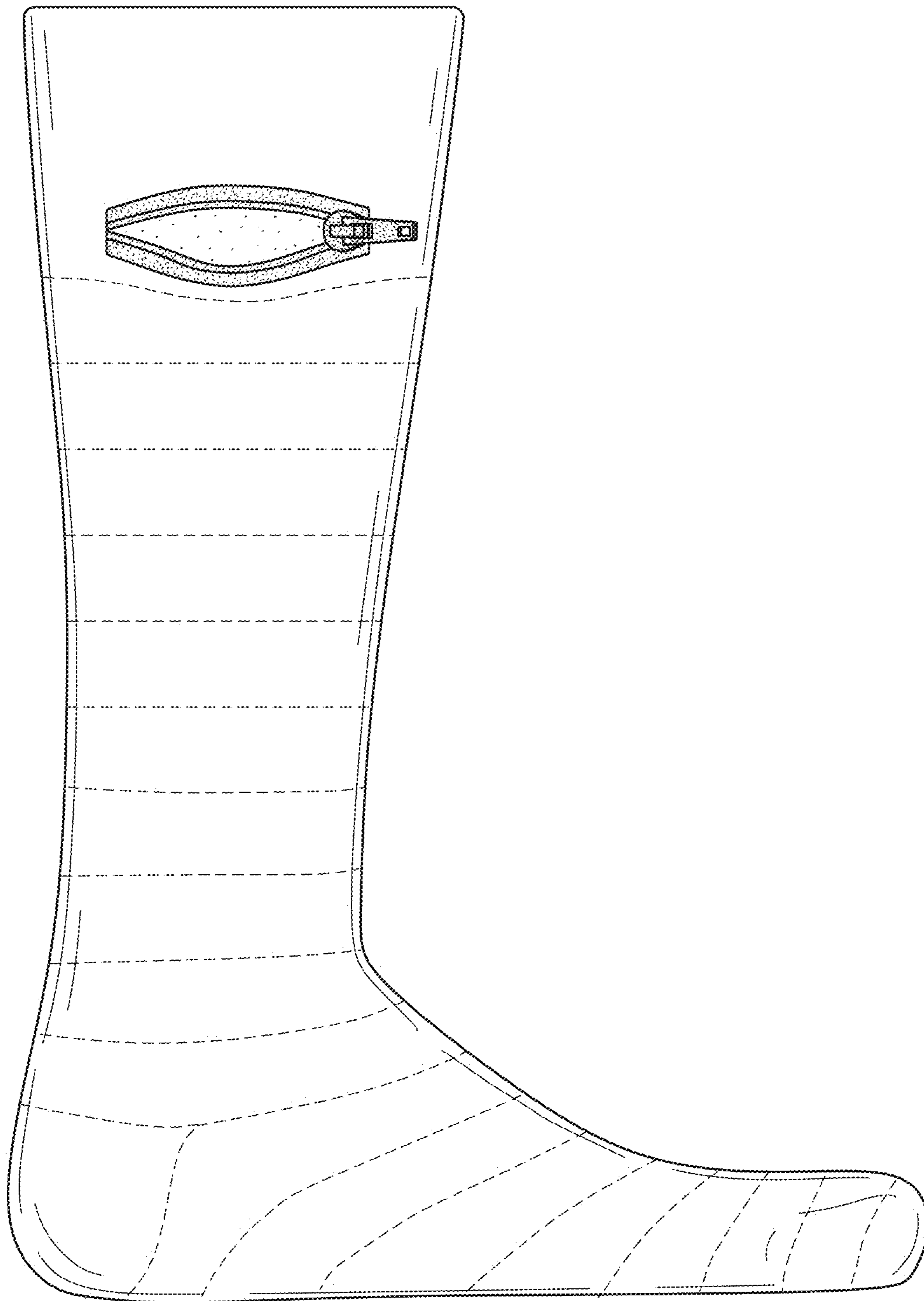


FIG. 10