

US00D965273S

(12) **United States Design Patent** (10) **Patent No.:** **US D965,273 S**  
**McClaskie** (45) **Date of Patent:** **\*\* Oct. 4, 2022**

(54) **UPPER FOR A SHOE**  
(71) Applicant: **Columbia Insurance Company,**  
Omaha, NE (US)  
(72) Inventor: **Thomas McClaskie,** Bethlehem, PA  
(US)  
(\*\*) Term: **15 Years**  
(21) Appl. No.: **29/760,566**  
(22) Filed: **Dec. 2, 2020**  
(51) **LOC (13) Cl.** ..... **02-04**  
(52) **U.S. Cl.**  
USPC ..... **D2/969;** D2/916  
(58) **Field of Classification Search**  
USPC ..... D2/896-900, 909, 913-925, 927-931,  
D2/933, 936, 939, 940, 943, 946, 947,  
D2/953, 954, 955, 957, 969, 971, 972,  
D2/977; 36/7.1 R, 7.3, 7.5, 45, 84, 87,  
36/91, 11.5, 43, 32 R, 25 R, 3 A, 3 R,  
36/136; D28/41  
CPC .. A43B 3/24; A43B 3/122; A43B 3/12; A43B  
3/124; A43B 3/126; A43B 3/128; A43B  
3/242; A43B 3/10; A43B 3/103; A43B  
3/248; A43B 1/06; A43B 1/0045; A43B  
1/0036; A43B 3/108; A43B 23/06; A43B  
23/07; A43B 23/24; A43B 23/25; A43B  
13/10; A43B 13/12; A43B 13/14; A43B  
13/122; A43B 5/12; A43B 9/02; A43B  
9/14; A43B 21/00; A43B 21/02; A43B  
21/06  
See application file for complete search history.

(56) **References Cited**  
U.S. PATENT DOCUMENTS  
D101,886 S \* 11/1936 Perugia ..... D2/930  
D104,472 S \* 5/1937 Perugia ..... D2/942  
D104,765 S \* 6/1937 Carey ..... D2/918  
D105,227 S \* 7/1937 Moore ..... D2/932  
D108,120 S \* 1/1938 Epstein ..... D2/931

D108,340 S \* 2/1938 Molea ..... D2/940  
D108,481 S \* 2/1938 Parker ..... D2/930  
D110,362 S \* 7/1938 Oliphant ..... D2/916  
D110,818 S \* 8/1938 Odencrants ..... D2/931  
(Continued)

**FOREIGN PATENT DOCUMENTS**

CN 304092029 \* 4/2017  
CN 304403451 \* 12/2017  
(Continued)

**OTHER PUBLICATIONS**

Born, Womens IWA Sandal, (Nov. 18, 2020), Amazon.com, [site visited: Mar. 29, 2022], Available from URL: [https://www.amazon.com/BORN-Womens-IWA-Black/dp/B09KRM576J/ref=sr\\_1\\_2?keywords=born%2Birie%2Bsandal&qid=1648579286&sr=8-2&th=1](https://www.amazon.com/BORN-Womens-IWA-Black/dp/B09KRM576J/ref=sr_1_2?keywords=born%2Birie%2Bsandal&qid=1648579286&sr=8-2&th=1) (Year: 2020).\*  
(Continued)

*Primary Examiner* — T Chase Nelson  
*Assistant Examiner* — Jamillah Khalil Abdullah  
(74) *Attorney, Agent, or Firm* — IP Attorneys Group, LLC

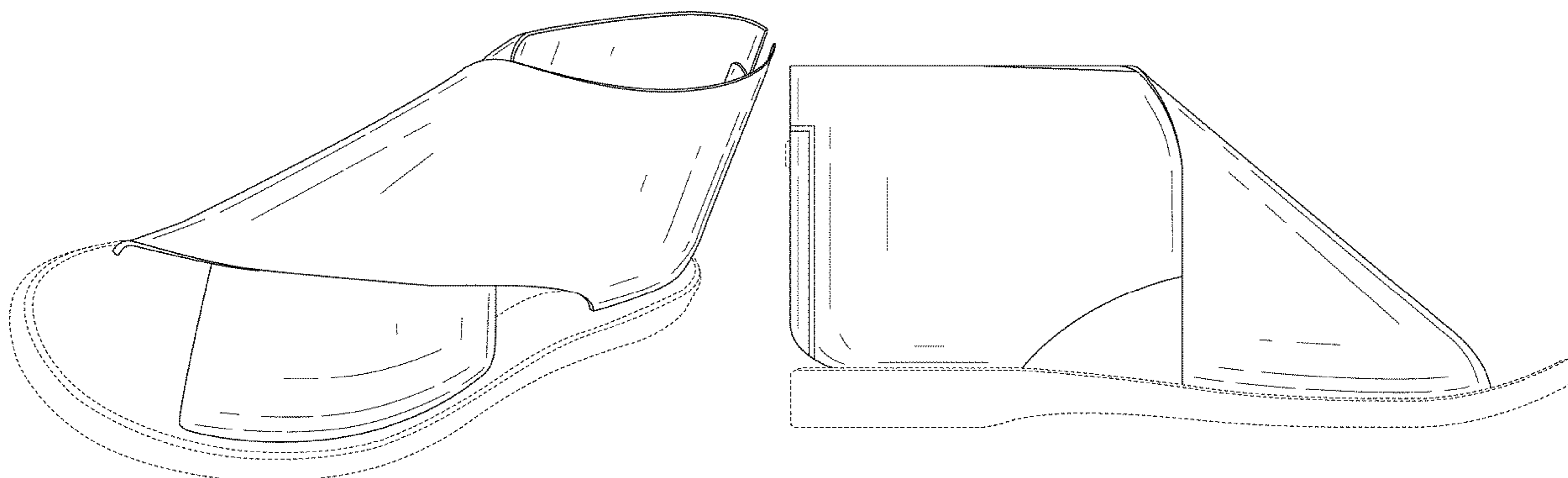
(57) **CLAIM**

The ornamental design for an upper for a shoe, as shown and described.

**DESCRIPTION**

FIG. 1 is a perspective view of an upper for a shoe in accordance with my new design;  
FIG. 2 is a top view thereof;  
FIG. 3 is a left side view thereof;  
FIG. 4 is a right side view thereof;  
FIG. 5 is a back view thereof; and,  
FIG. 6 is a front view thereof.  
The broken lines show environmental structure as well as portions of the upper for a shoe that form no part of the claimed design.

**1 Claim, 5 Drawing Sheets**



(56)

References Cited

OTHER PUBLICATIONS

U.S. PATENT DOCUMENTS

2,167,035 A \* 7/1939 Westheimer ..... A43B 7/142  
 D116,702 S \* 9/1939 Calderazzo ..... D2/918  
 D118,719 S \* 1/1940 Berland ..... D2/918  
 D119,164 S \* 2/1940 Calderazzo ..... D2/927  
 D119,294 S \* 3/1940 Wertheim ..... D2/927  
 D125,760 S \* 3/1941 Freeman ..... D2/896  
 D146,110 S \* 12/1946 Julianelly et al. .... D2/932  
 D147,848 S \* 11/1947 Guinzburg ..... D2/918  
 D161,646 S \* 1/1951 Reinhart, Jr. et al. .... D2/918  
 D246,337 S \* 11/1977 Niarhos ..... D2/918  
 D345,245 S \* 3/1994 McDonald ..... D2/969  
 D433,795 S \* 11/2000 Bagaria ..... D2/897  
 D452,066 S \* 12/2001 Dean ..... D2/916  
 D461,949 S \* 8/2002 Urie ..... D2/916  
 D505,001 S \* 5/2005 Robbins ..... D2/969  
 D541,513 S \* 5/2007 Gerber ..... D2/916  
 D587,884 S \* 3/2009 Taestensen ..... D2/927  
 D599,098 S \* 9/2009 Issler ..... D2/971  
 D682,525 S \* 5/2013 James ..... D2/971  
 D683,123 S \* 5/2013 James ..... A43B 7/142  
 D785,297 S \* 5/2017 Comeau ..... D2/917  
 D793,058 S \* 8/2017 LaRusso ..... D2/971  
 D814,770 S \* 4/2018 McClaskie ..... D2/971  
 D814,771 S \* 4/2018 McClaskie ..... D2/971  
 D815,417 S \* 4/2018 McClaskie ..... D2/971  
 D838,449 S \* 1/2019 Michetti ..... D2/918

FOREIGN PATENT DOCUMENTS

CN 304403481 \* 12/2017  
 HK 0501213-0001 \* 6/2005  
 HU 87805-0001 \* 4/1999  
 KR 300914491.0000 \* 7/2017  
 KR 300967189.0000 \* 8/2018  
 KR 300967191.0000 \* 8/2018  
 KR 301024038.0000 \* 9/2019  
 PH 3-2006-181-0001 \* 1/2007

Free People, Vale Boot Sandal, (Dec. 27, 2020), Amazon.com, [site visited: Mar. 29, 2022], Available from URL: (Year: 2020).\*

Spring Step, Rapture Sandal, (2021), DSW.com, [site visited: Mar. 29, 2022], Available from URL: <https://www.dsw.com/en/us/product/spring-step-rapture-sandal/492983?activeColor=280&rrec=true> (Year: 2021).\*

Bueno, Jessie Sandal, (2021), DSW.com, [site visited: Mar. 29, 2022], Available from URL: <https://www.dsw.com/en/us/product/bueno-jesse-sandal/513630?activeColor=076&rrec=true> (Year: 2021).\*

Sofft, Forri Sandal, (2021), DSW.com, [site visited: Mar. 29, 2022], Available from URL: <https://www.dsw.com/en/us/product/sofft-forri-sandal/510383?activeColor=001&rrec=true> (Year: 2021).\*

Born, IWA Shoes, (2021), LL Bean, [site visited: Mar. 29, 2022], Available from URL: <https://www.llbean.com/llb/shop/125557?page=womens-born-iwa-shoe-leather-womens&bc=&feat=iwa%20shoes-SR0&csp=a&searchTerm=iwa%20shoes&pos=1> (Year: 2021).\*

Roan, Betty Slip-On, (2021), DSW.com, [site visited: Mar. 29, 2022], Available from URL: <https://www.dsw.com/en/us/product/roan-betty-slip-on/529795?activeColor=915> (Year: 2022).\*

Roan, Irie Flat, (2022), DSW.com, [site visited: Mar. 29, 2022], Available from URL: <https://www.dsw.com/en/us/product/roan-irie-flat/529788?activeColor=230&rrec=true> (Year: 2022).\*

Sofft, Evonne Flat, (2022), DSW.com, [site visited: Mar. 29, 2022], Available from URL: <https://www.dsw.com/en/us/product/sofft-evonne-flat/530937?activeColor=101> (Year: 2022).\*

Menstootd, Women Arc Suede Espadrille Wedge Sandals, (2022), Menstootd.com, [site visited: Mar. 29, 2022], Available from URL: <https://www.menstootd.com/Women-Arc-Suede-Espadrille-Wedge-Sandals-p92723.html> (Year: 2022).\*

Sofft, Ciera Wedge Sandal, (2022), DSW.com, [site visited: Mar. 29, 2022], Available from URL: <https://www.dsw.com/en/us/product/sofft-ciera-wedge-sandal/530933?activeColor=700> (Year: 2022).\*

\* cited by examiner

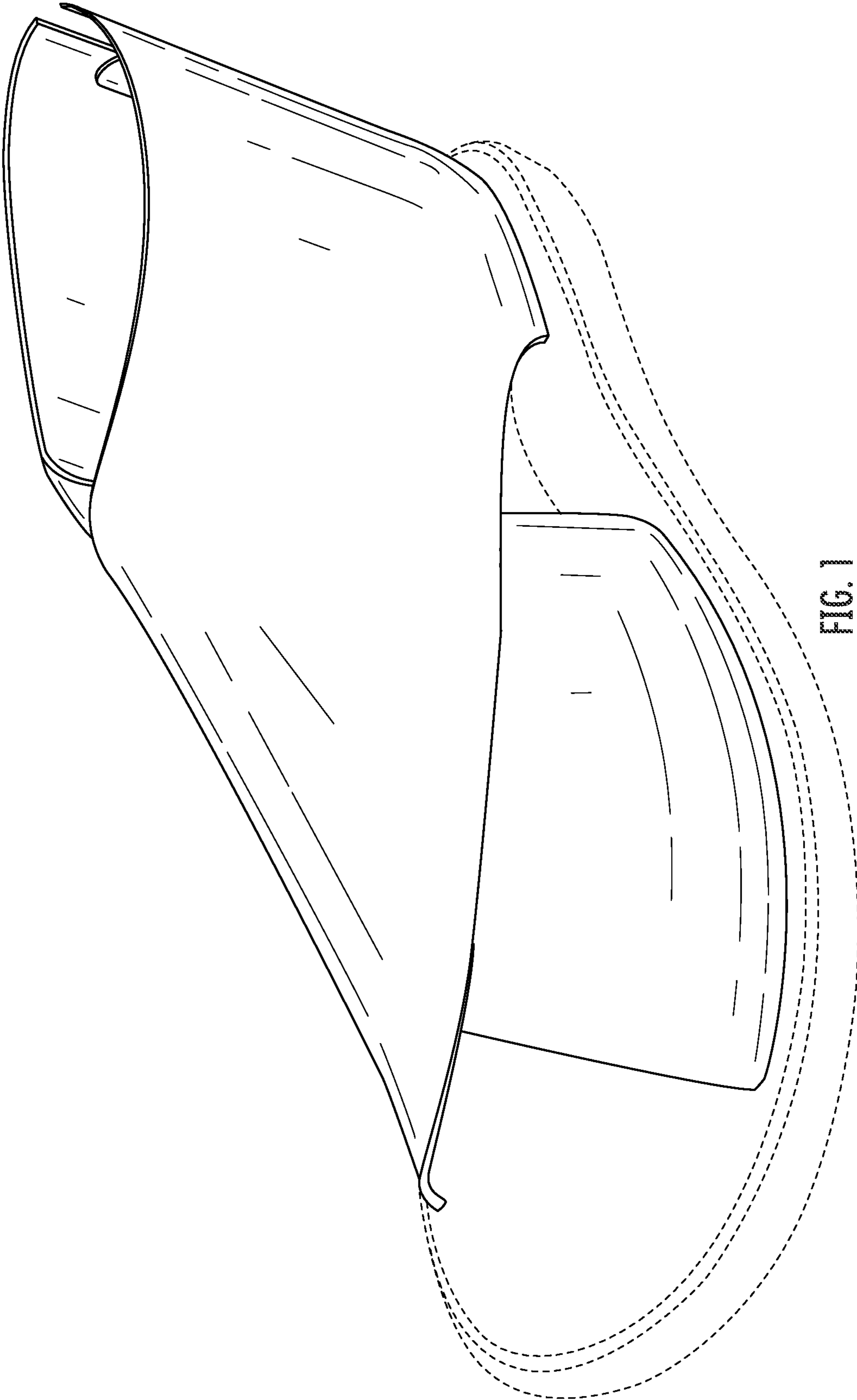


FIG. 1

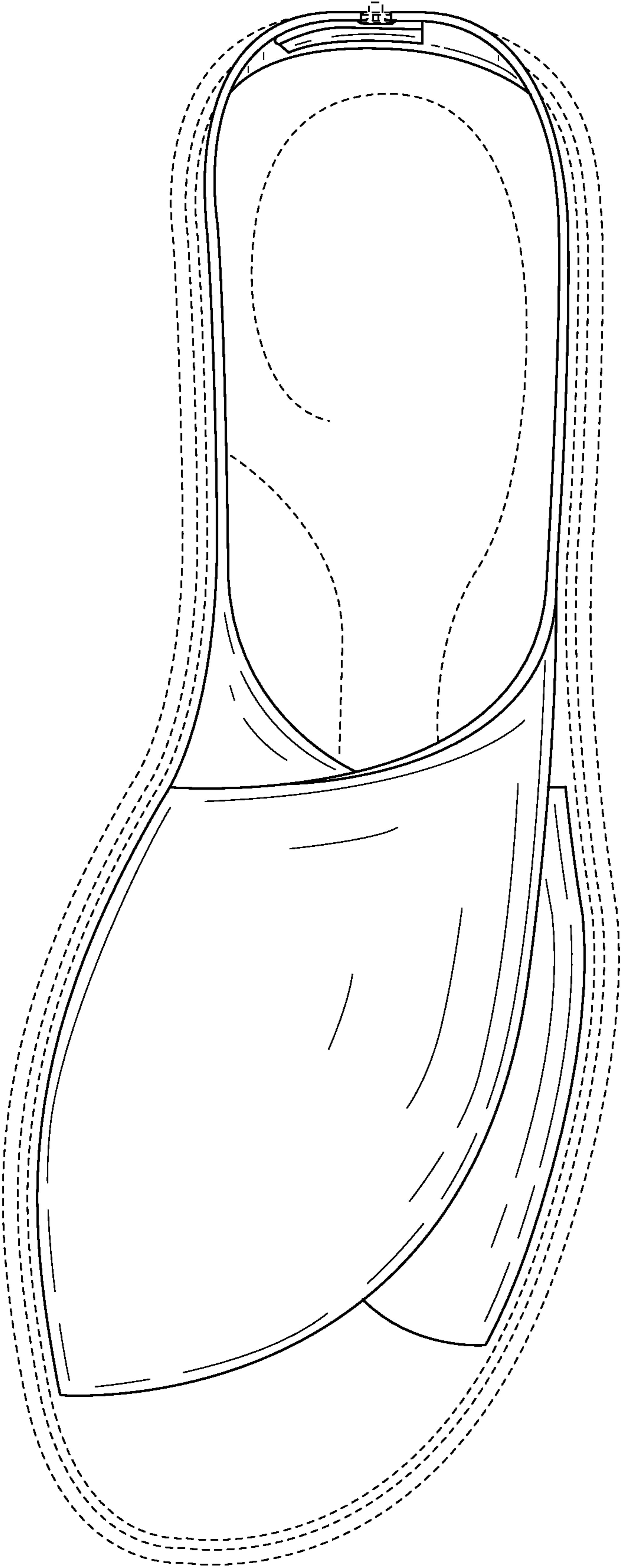


FIG. 2

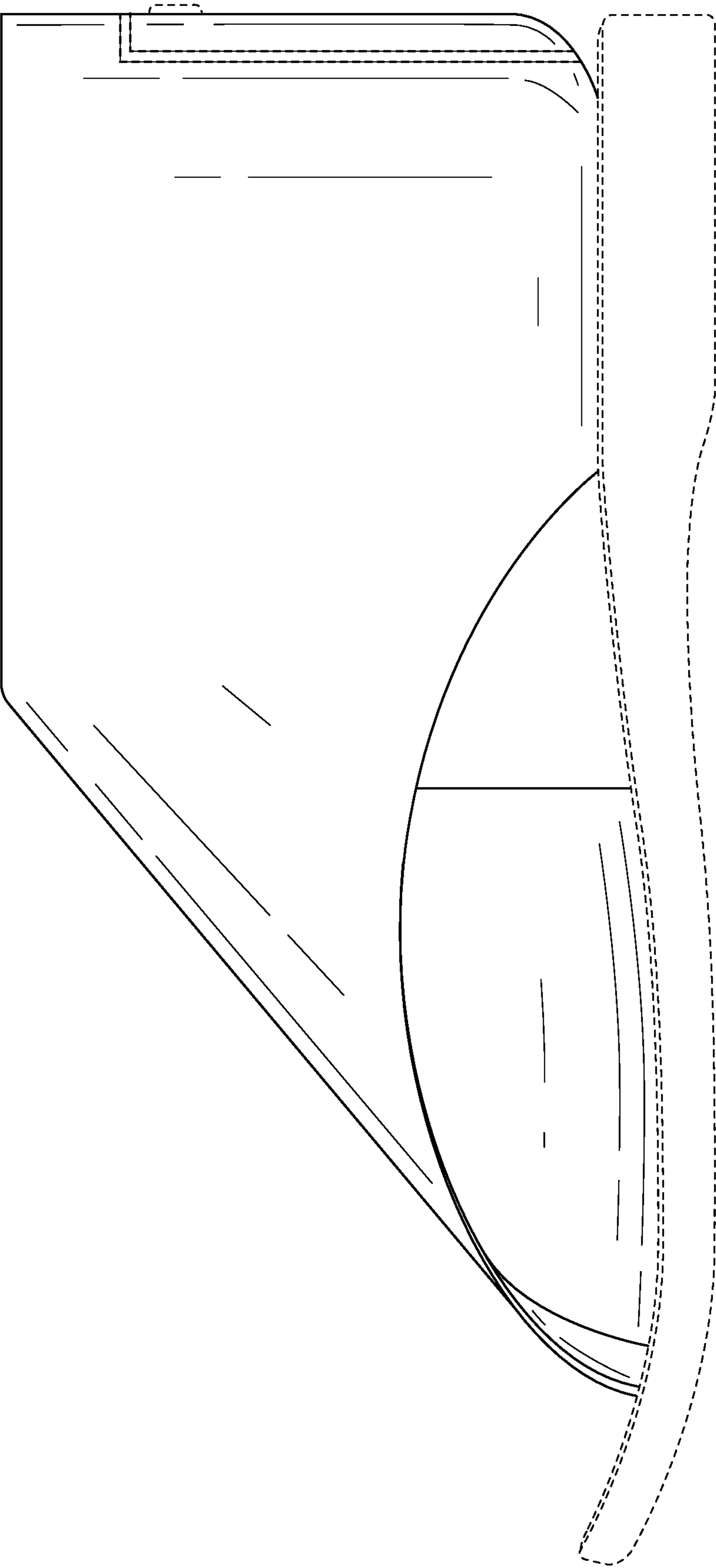


FIG. 3

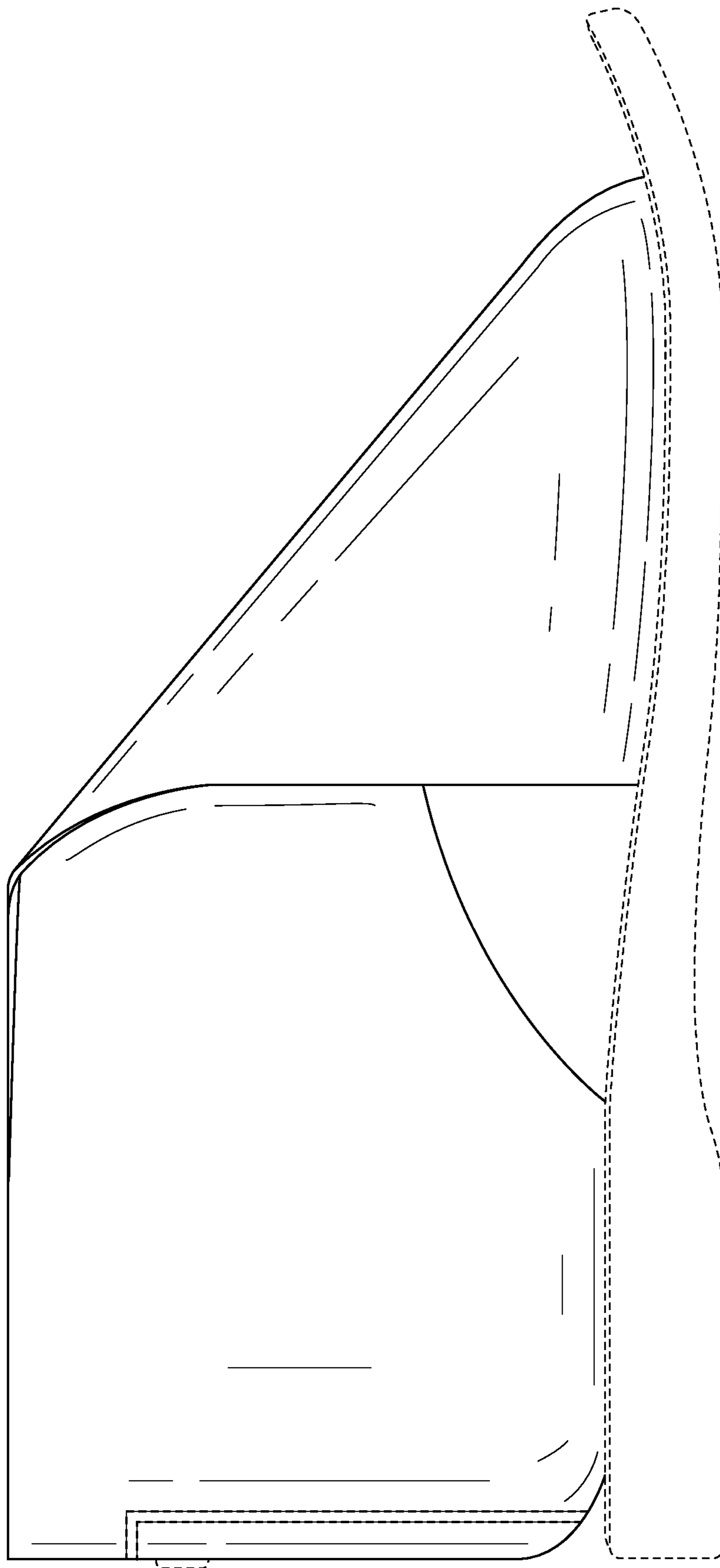


FIG. 4

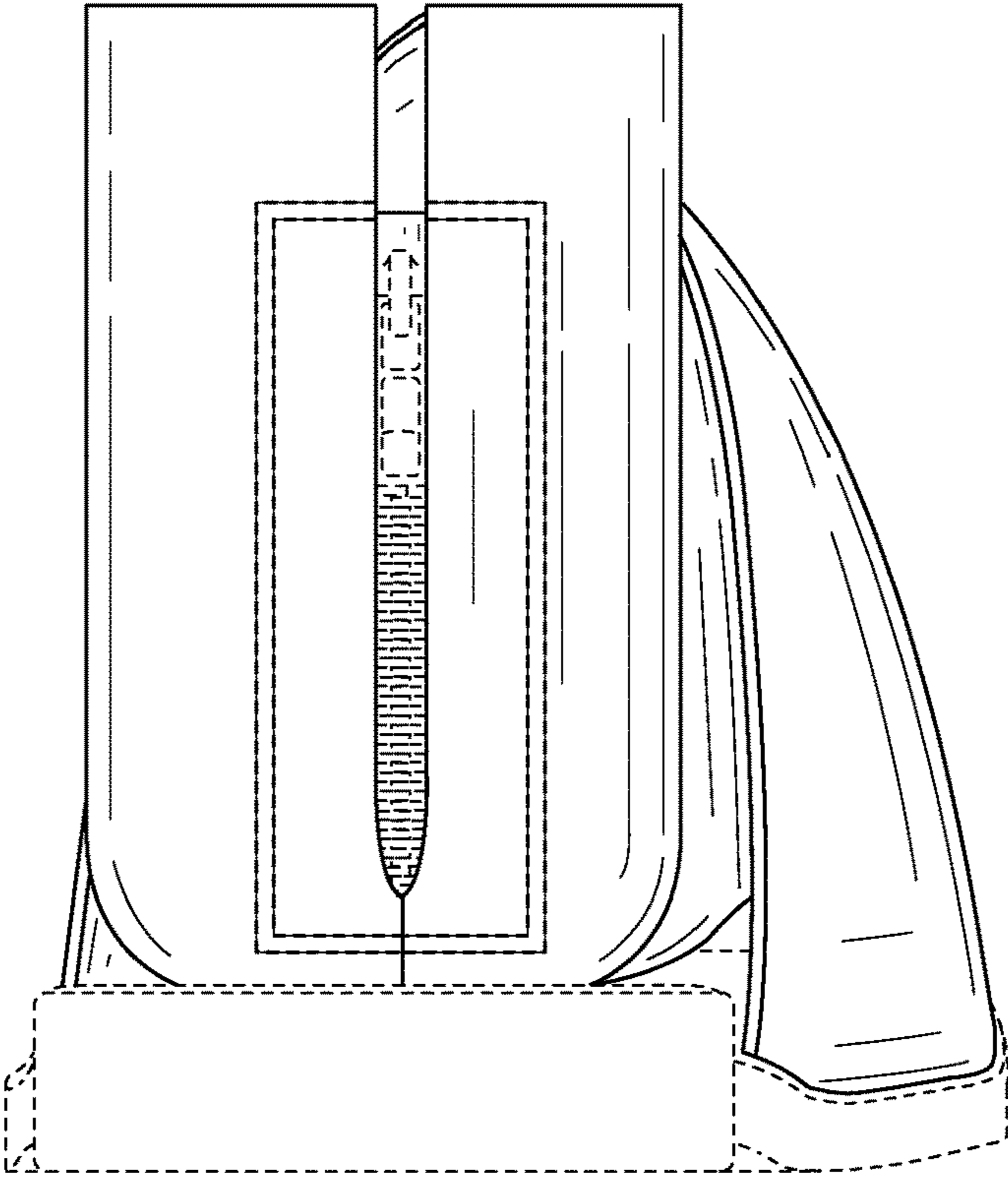


FIG. 5

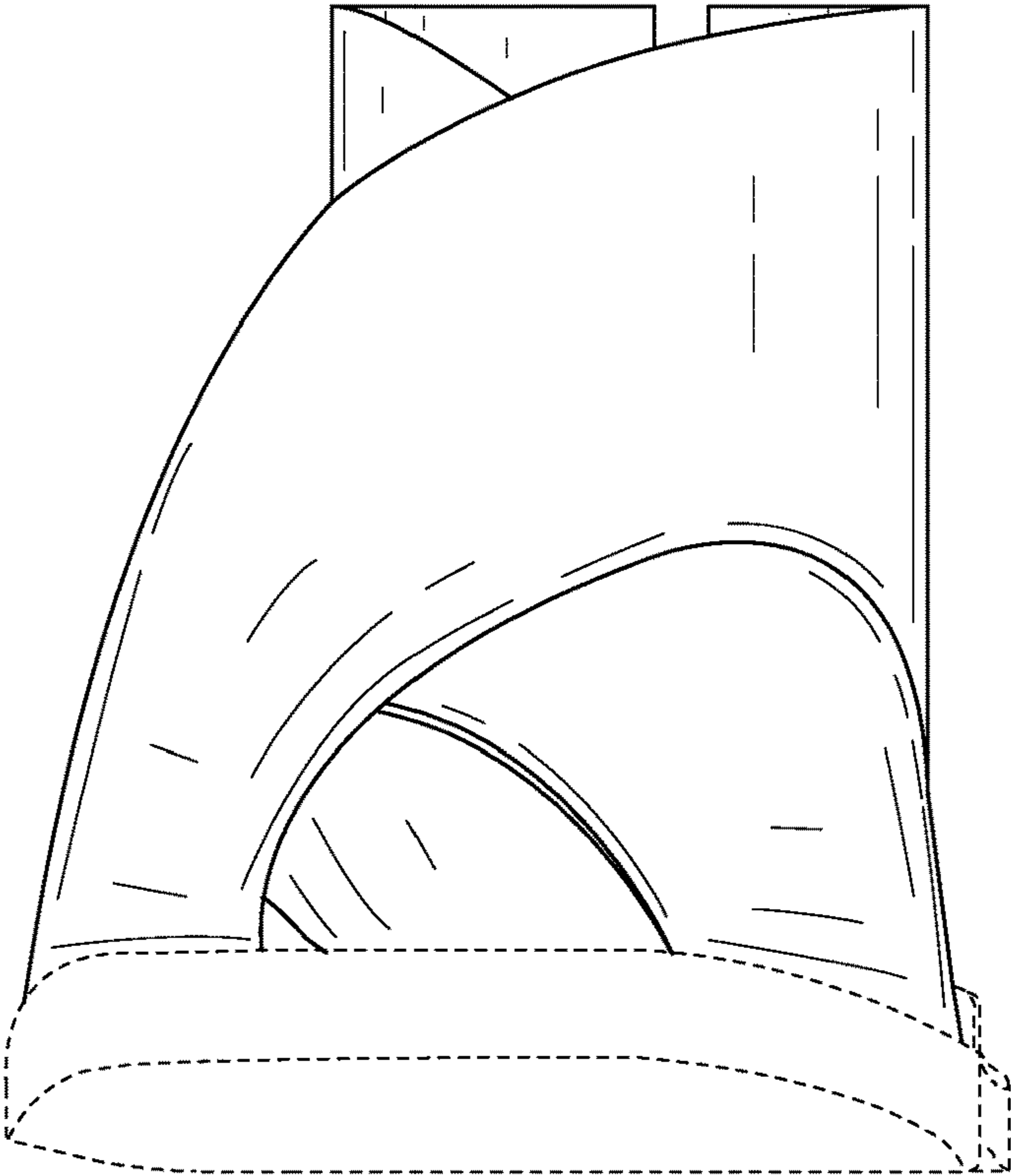


FIG. 6