



US00D965255S

(12) **United States Design Patent**
Chen

(10) **Patent No.:** **US D965,255 S**
(45) **Date of Patent:** **** Oct. 4, 2022**

(54) **PANTS**

(71) Applicant: **Suisheng Chen**, Guangzhou (CN)

(72) Inventor: **Suisheng Chen**, Guangzhou (CN)

(**) Term: **15 Years**

(21) Appl. No.: **29/808,952**

(22) Filed: **Sep. 24, 2021**

(51) **LOC (13) Cl.** **02-02**

(52) **U.S. Cl.**
USPC **D2/731; D2/742**

(58) **Field of Classification Search**
USPC D2/742, 731, 728
CPC A41F 9/007; A41D 27/22; A41D 1/06;
A41D 1/08

See application file for complete search history.

(56) **References Cited**

U.S. PATENT DOCUMENTS

D681,311 S *	5/2013	McLaren	D2/742
D785,292 S	5/2017	Kandarian et al.		
D790,162 S	6/2017	Mcmanus		
D833,711 S	11/2018	Jones et al.		
D909,010 S *	2/2021	Long	D2/742
D921,330 S *	6/2021	Liu	D2/731
D936,933 S *	11/2021	Dixon	D2/742
2018/0325188 A1 *	11/2018	Burhance	A41F 9/00
2018/0325189 A1 *	11/2018	Stallbaum	A41D 1/08
2021/0267284 A1 *	9/2021	Wong	A41D 31/18

OTHER PUBLICATIONS

IF FEEL Women's High Waist Yoga Pants with Pocket, posted Aug. 14, 2020 [online], (retrieved Aug. 3, 2022). Retrieved from the

internet, <https://www.amazon.com/IF-FEEL-Pockets-Stretch-Workout-Leggings/dp/B08FWRGJYJ> (Year: 2020).*
South Beach Plus seam detail contour leggings, posted NA [online], (retrieved Aug. 3, 2022). Retrieved from the internet, <https://www.asos.com/us/south-beach/south-beach-plus-seam-detail-contour-leggings-in-brown/prd/24459106> (Year: NA).*
TrainingGirl Women Neoprene Sauna Leggings, posted Aug. 9, 2019 [online], (retrieved Aug. 3, 2022). Retrieved from the internet, <https://www.amazon.com/dp/B07K73SFZJ?tag=yoganomads-20&linkCode=ogi&th=1&psc=1> (Year: 2019).*

* cited by examiner

Primary Examiner — Kevin K Rudzinski

Assistant Examiner — J. Thorn, Sr.

(74) *Attorney, Agent, or Firm* — True Shepherd LLC;
Andrew C. Cheng

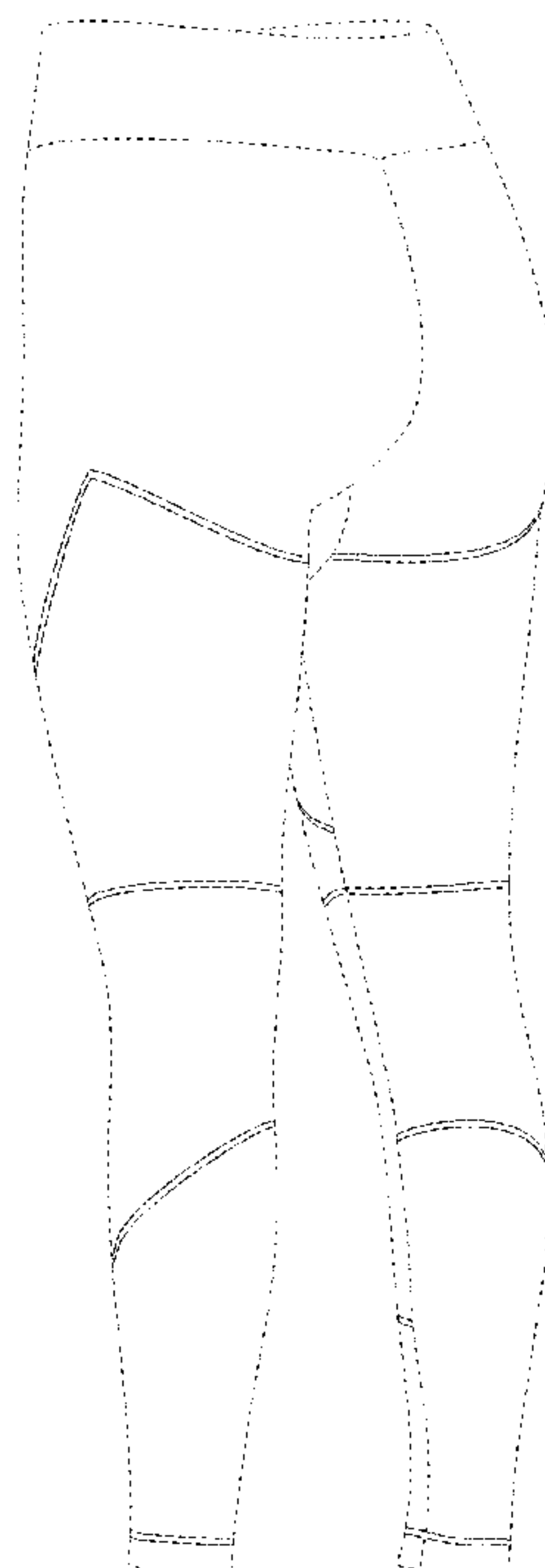
(57) **CLAIM**

The ornamental design for pants, as shown and described.

DESCRIPTION

FIG. 1 is a perspective view of pants showing my new design;
FIG. 2 is another perspective view thereof;
FIG. 3 is a front view thereof;
FIG. 4 is a rear view thereof;
FIG. 5 is a left side view thereof;
FIG. 6 is a right side view thereof;
FIG. 7 is a top plan view thereof; and,
FIG. 8 is a bottom plan view thereof.
The broken lines depict portions of the pants and form no part of the claimed design.

1 Claim, 8 Drawing Sheets



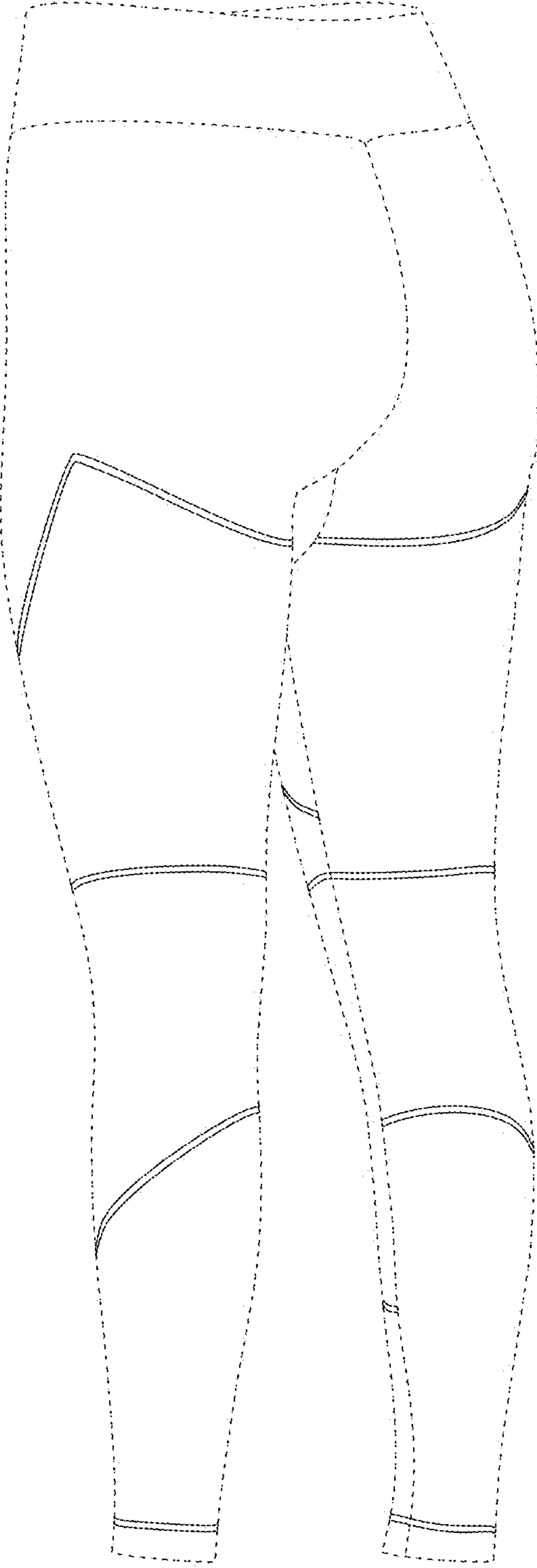


FIG. 1

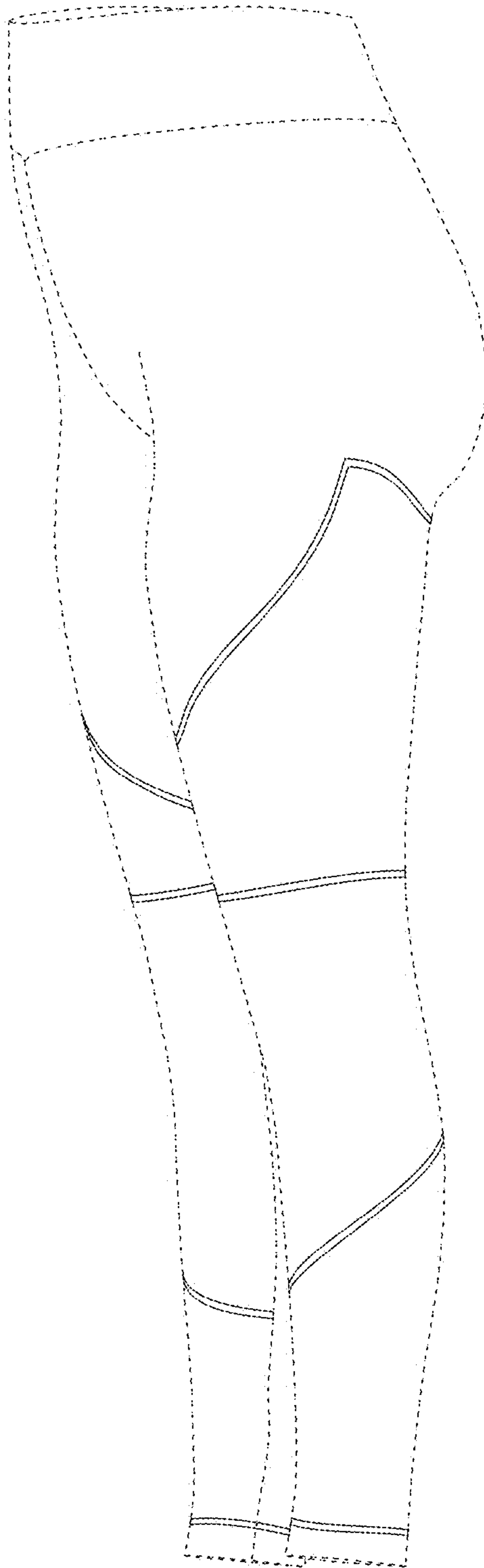


FIG. 2

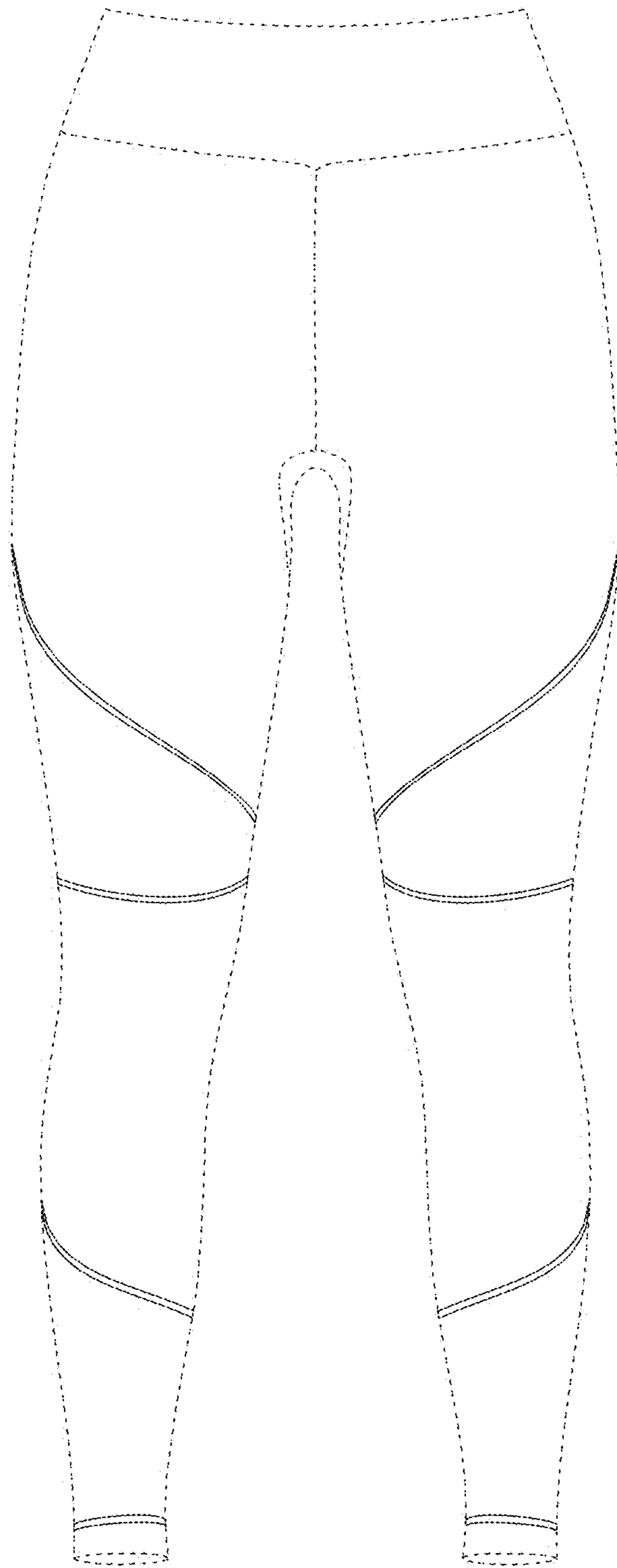


FIG. 3

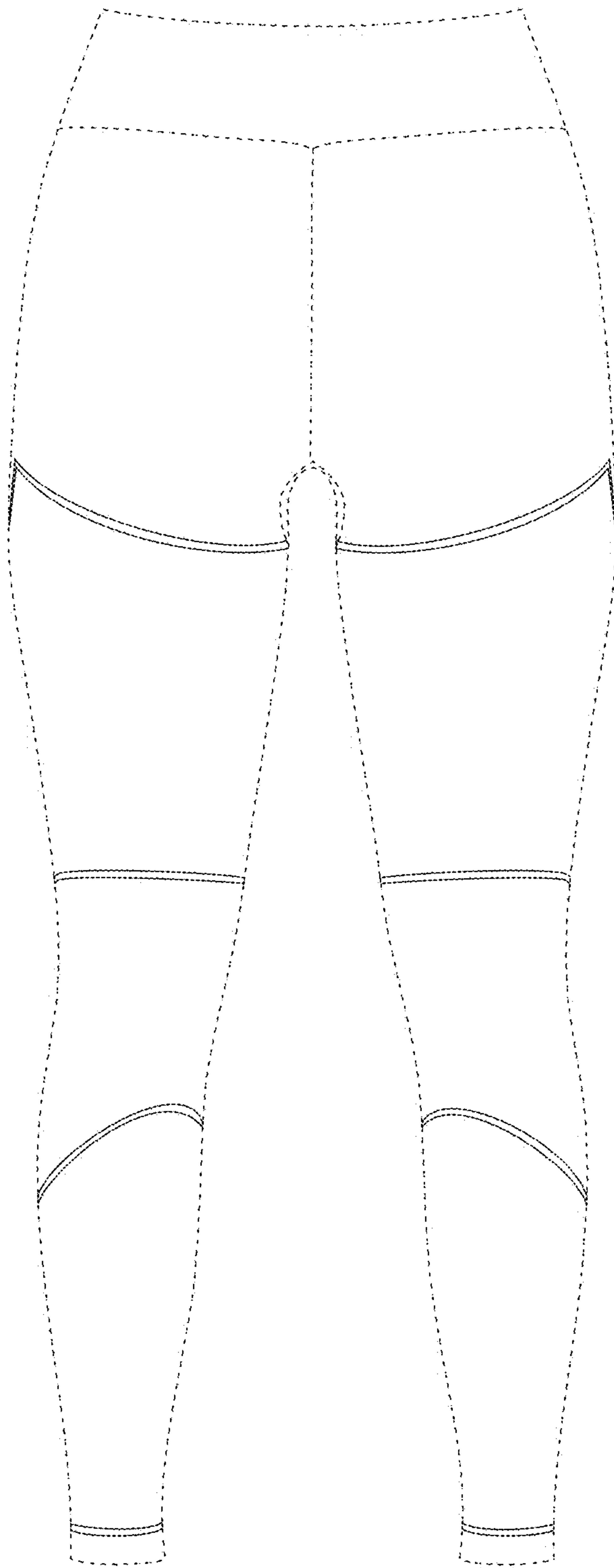


FIG. 4

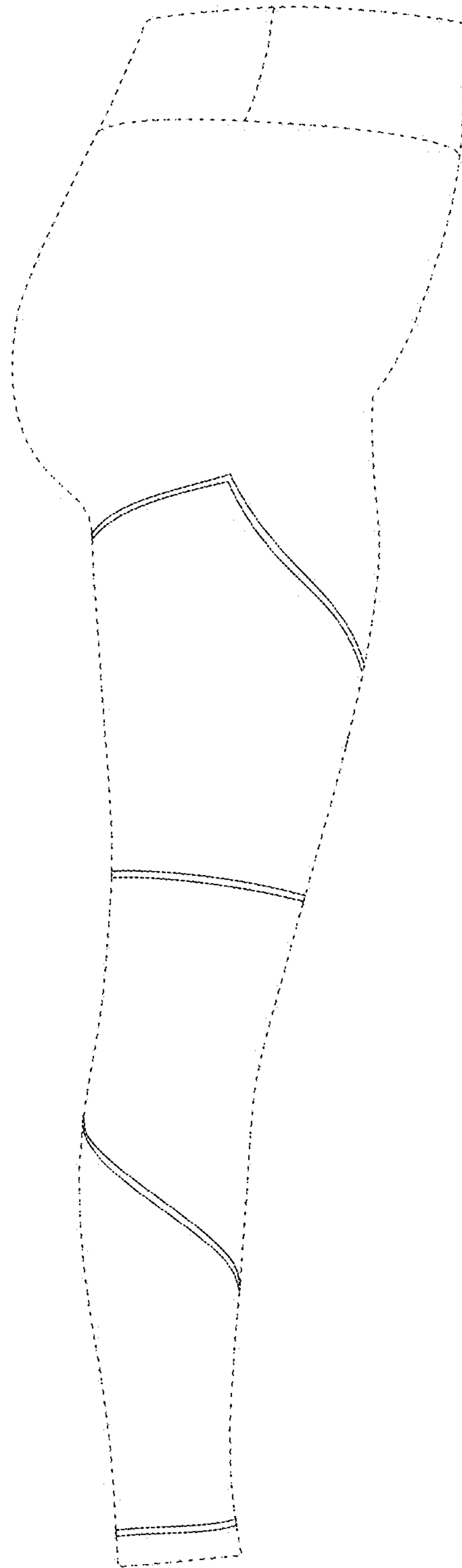


FIG. 5

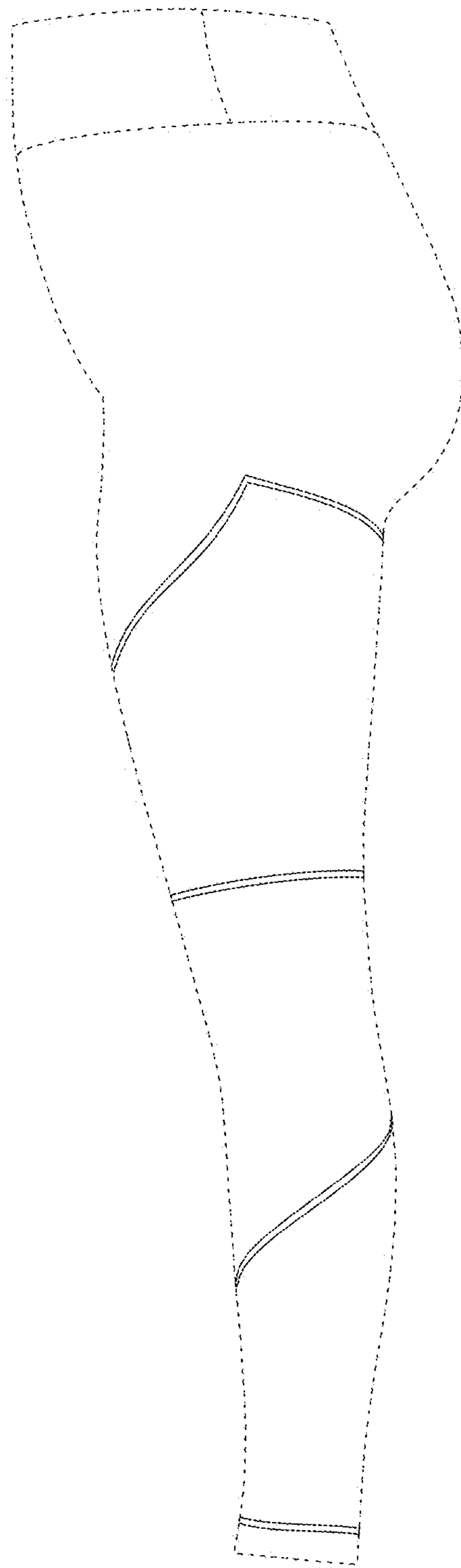


FIG. 6

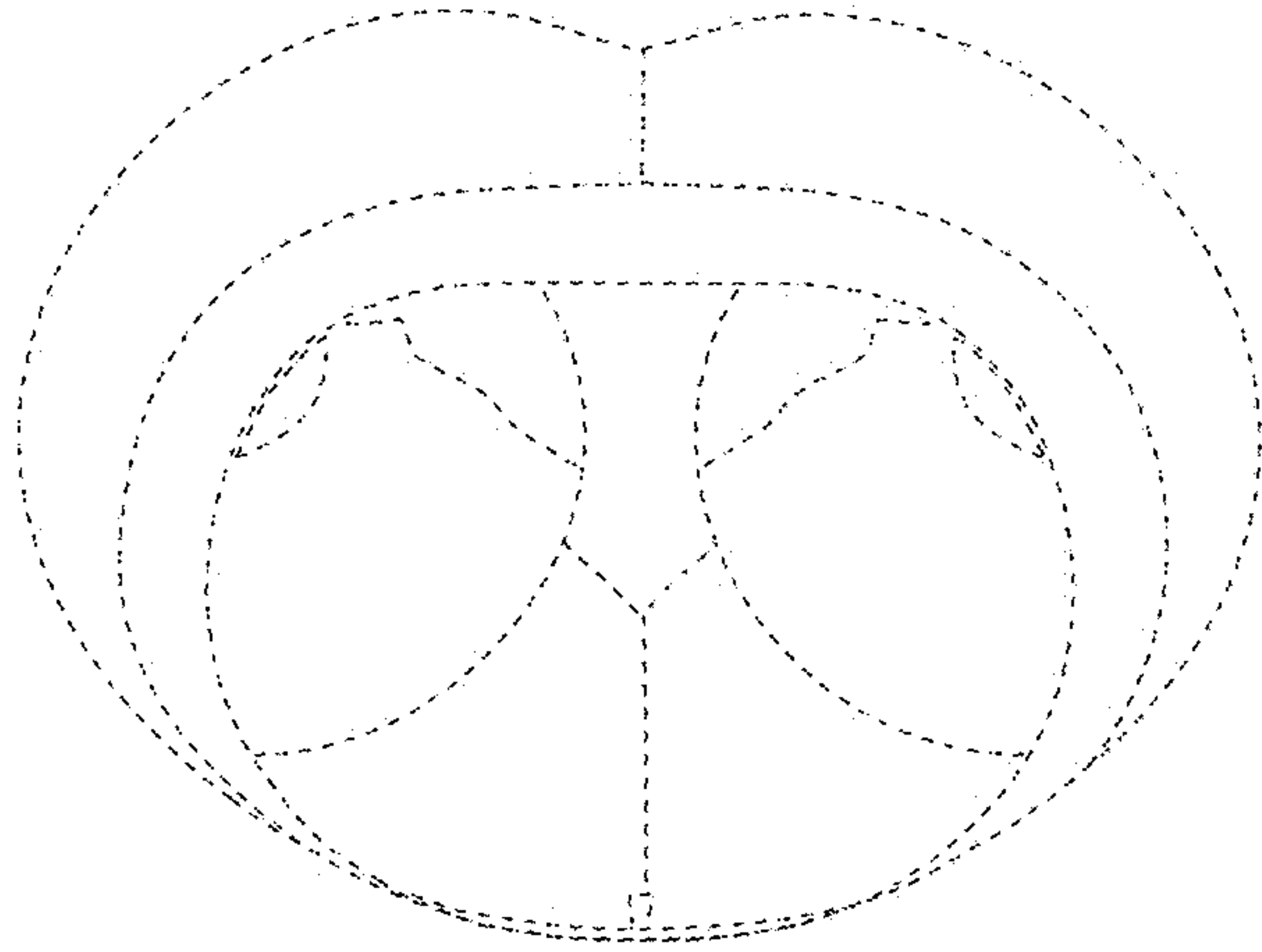


FIG. 7

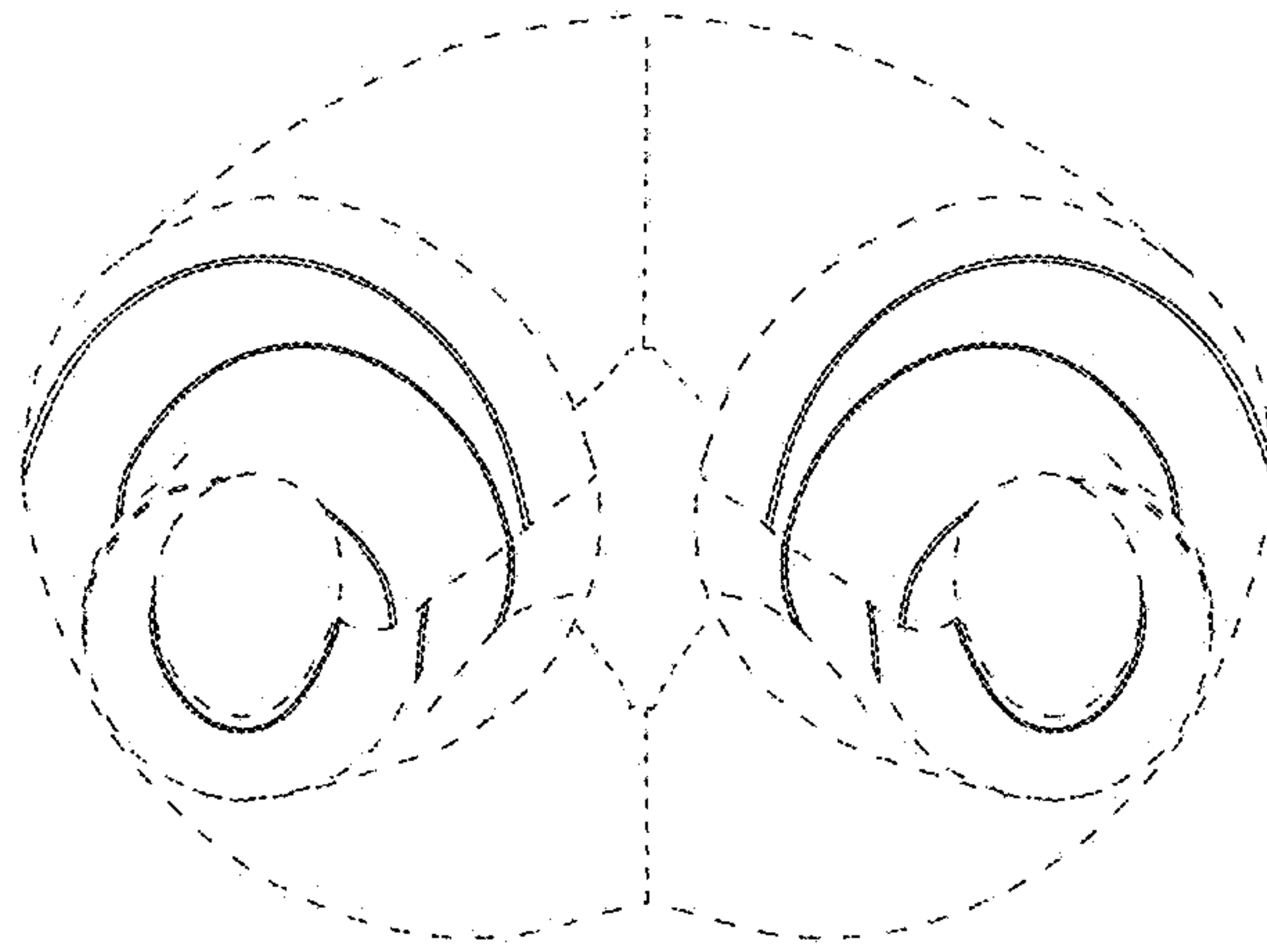


FIG. 8