



US00D965245S

(12) **United States Design Patent**
Houle et al.

(10) **Patent No.:** **US D965,245 S**
(45) **Date of Patent:** **** Sep. 27, 2022**

(54) **POWERED DOLLY**

(71) Applicant: **Parkit360 Inc.**, Carleton Place (CA)

(72) Inventors: **Stephen Houle**, Carleton Place (CA);
Gary Baker, Westport (CA)

(73) Assignee: **PARKIT 360, INC.**, Ontario (CA)

(**) Term: **15 Years**

(21) Appl. No.: **29/736,536**

(22) Filed: **Jun. 1, 2020**

Related U.S. Application Data

(63) Continuation-in-part of application No. 29/698,608,
filed on Jul. 18, 2019, now Pat. No. Des. 934,523.

(30) **Foreign Application Priority Data**

Mar. 13, 2020 (CA) CA 193869

(51) **LOC (13) Cl.** **12-05**

(52) **U.S. Cl.**
USPC **D34/23**

(58) **Field of Classification Search**
USPC D34/12-27
CPC B62B 5/0093; B60S 9/215; B62D 25/168;
B60D 1/06; B60D 1/665
See application file for complete search history.

(56) **References Cited**

U.S. PATENT DOCUMENTS

- 4,101,004 A * 7/1978 Oltman B62D 61/10
180/6.2
- D253,465 S * 11/1979 Lobdell D34/23
- D294,476 S * 3/1988 Michel D12/133
- D328,377 S * 7/1992 Gordon D34/12
- 11,052,879 B2 * 7/2021 Houle B60S 9/18

- D934,523 S * 10/2021 Houle D34/23
- 2014/0290001 A1 * 10/2014 Hasegawa B60B 33/0044
16/45
- 2020/0198596 A1 * 6/2020 Houle B60D 1/06

OTHER PUBLICATIONS

Vestil Dolly, announced 2021 [online], [site visited Mar. 8, 2022]. Available from internet, URL: <https://hofequipment.com/Vestil-ALL-T-D8W-1400-All-Terrain-Dolly-p2076.html> (Year: 2021).*
“Bigfoot 6 Wheel Jet Ski Dolly—Florida Sailcraft—Jet Ski Beach Trailers Florida Sailcraft”, 4 pages, downloaded on Dec. 17, 2018 from <https://floridasailcraft.com/product/bigfoot-6-wheel-jet-ski-dolly/>.
“Trailer Valet RVR—Trailer Valet”, 5 pages, downloaded on Dec. 17, 2018 from <https://trailervalet.com/shop/rvr/>.

* cited by examiner

Primary Examiner — Cynthia Ramirez

Assistant Examiner — Tamara L Hahn

(74) *Attorney, Agent, or Firm* — Barlow, Josephs & Holmes, Ltd.; Stephen J. Holmes

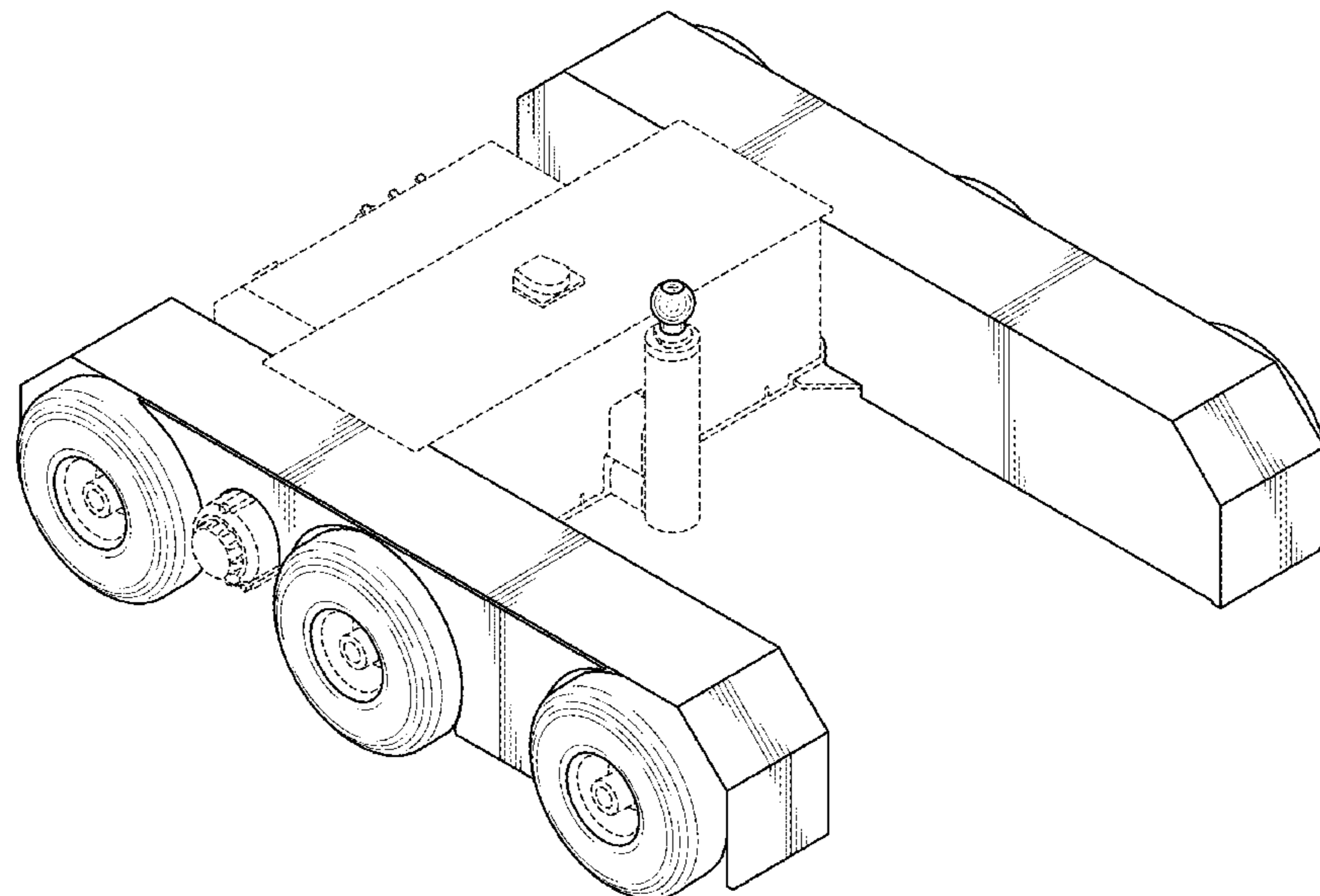
(57) **CLAIM**

The ornamental design for a powered dolly, as shown and described.

DESCRIPTION

FIG. 1 is a perspective view of a powered dolly in accordance with the present design;
FIG. 2 is a top view thereof;
FIG. 3 is a bottom view thereof;
FIG. 4 is a right side view thereof;
FIG. 5 is a left side view thereof;
FIG. 6 is a front view thereof; and,
FIG. 7 is a rear view thereof.
The broken lines in the drawings depict portions of the powered dolly that form no part of the claimed design.

1 Claim, 5 Drawing Sheets



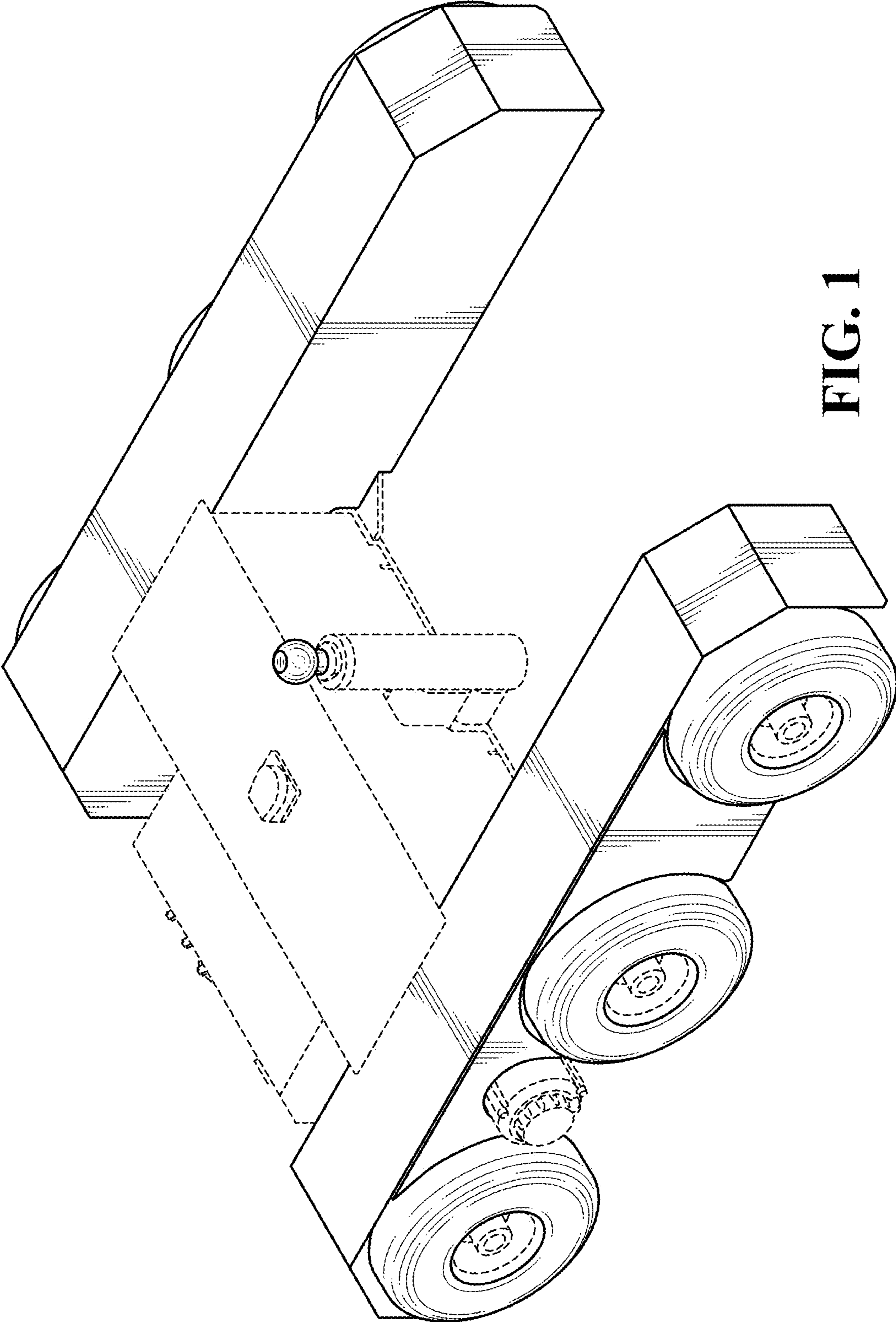


FIG. 1

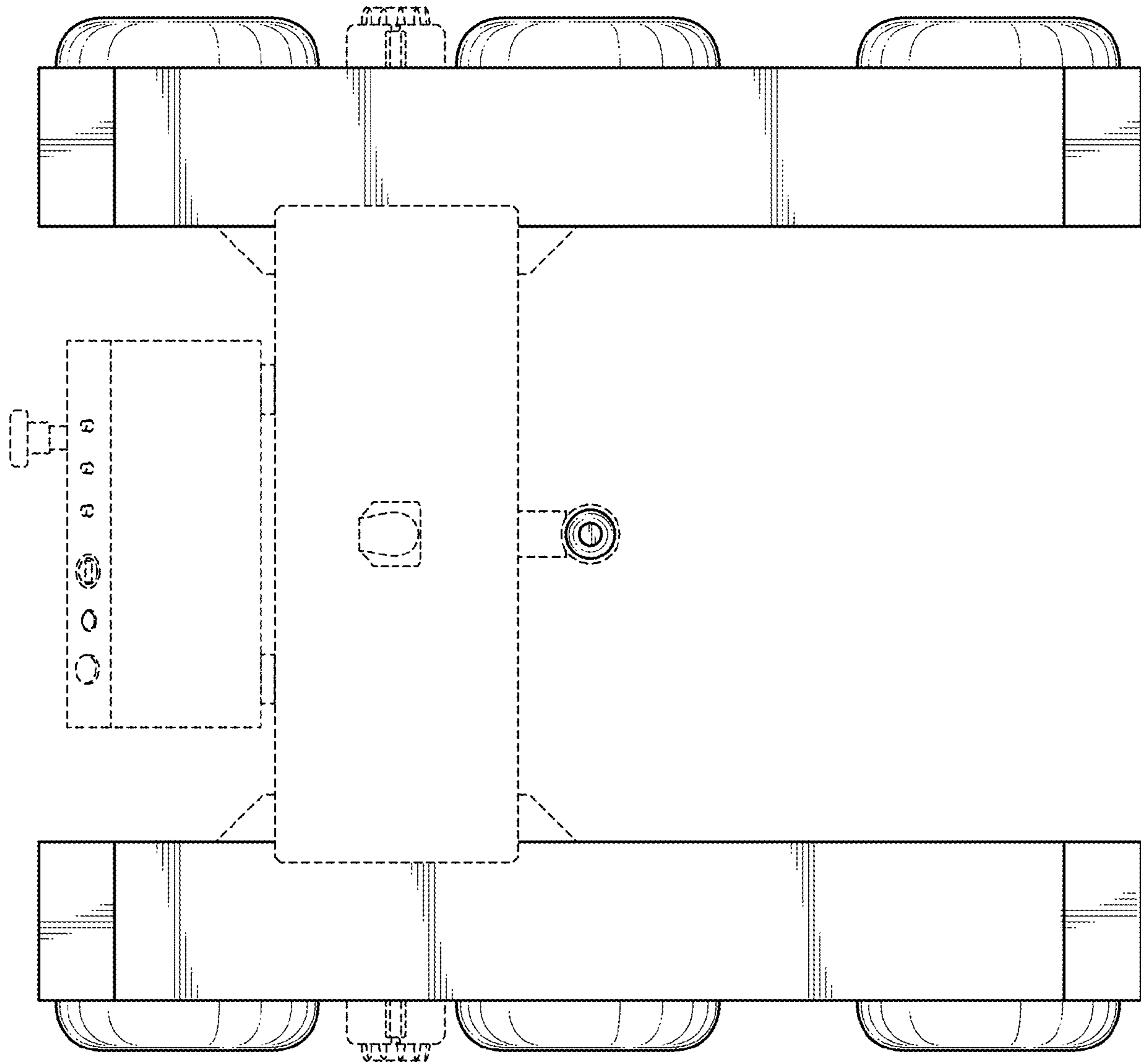


FIG. 2

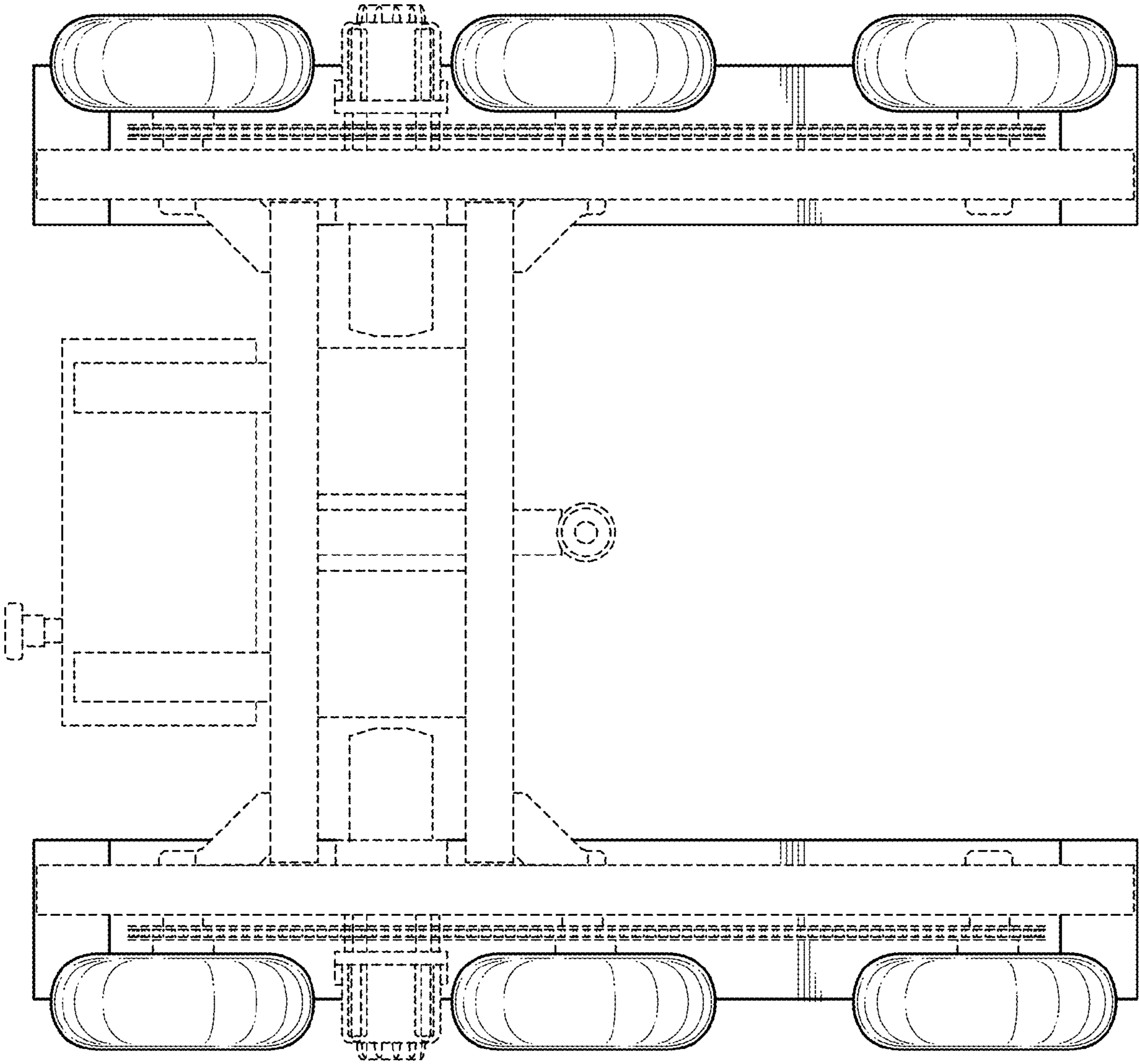


FIG. 3

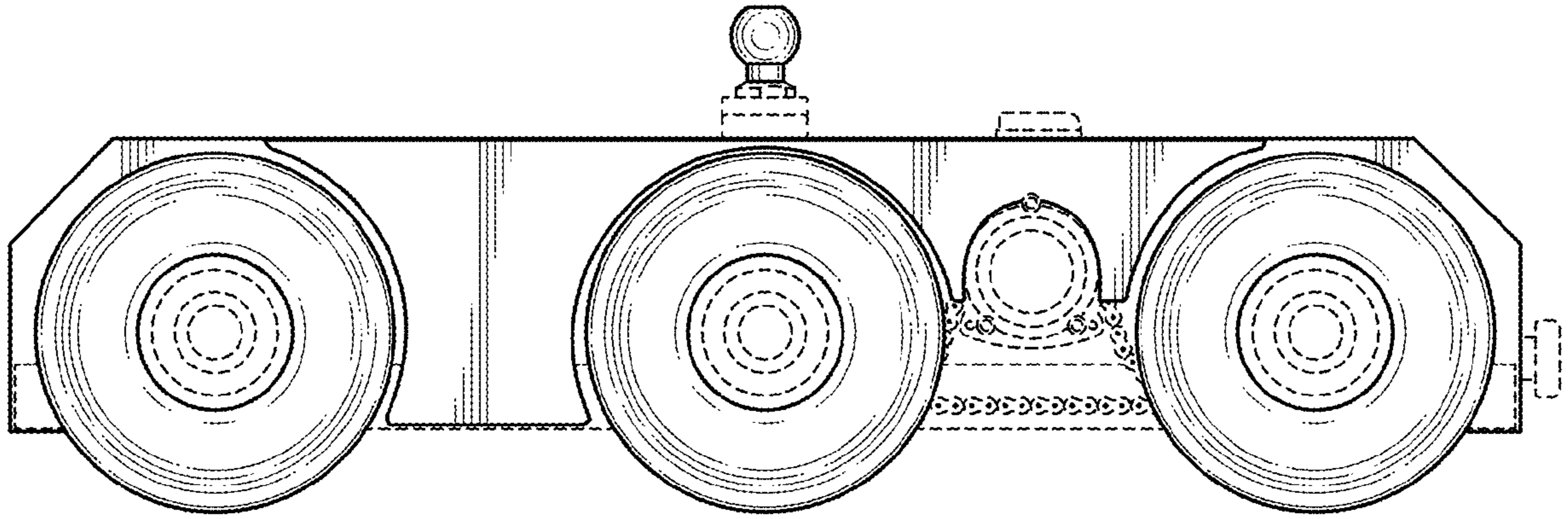


FIG. 4

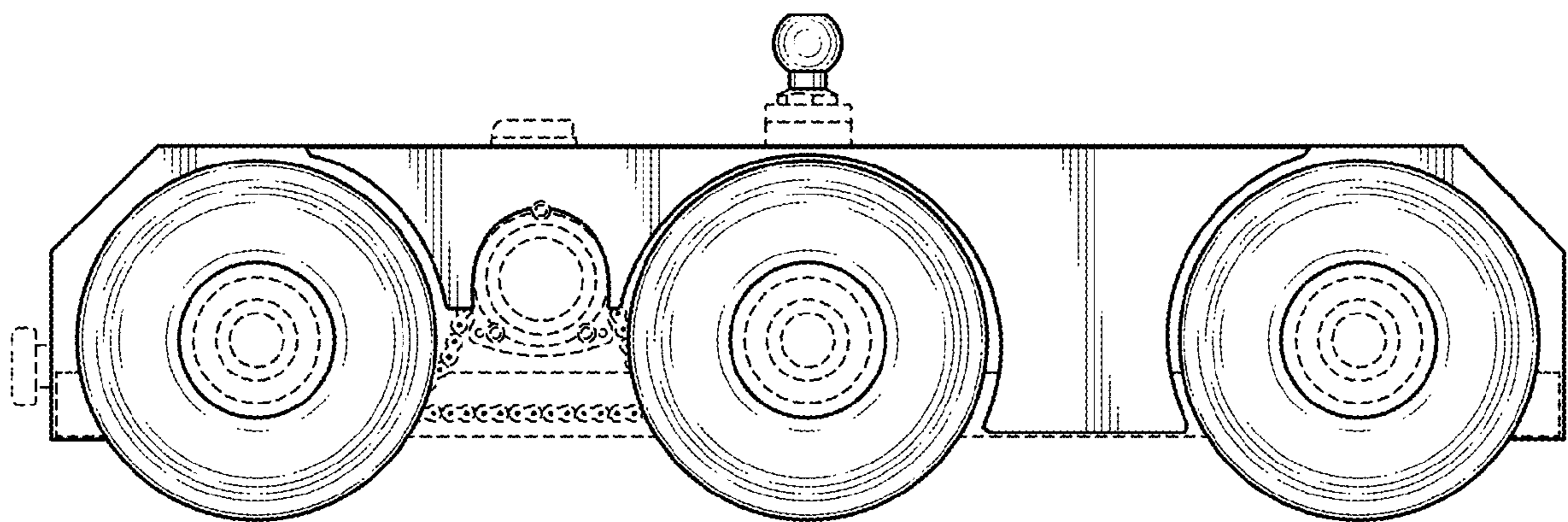


FIG. 5

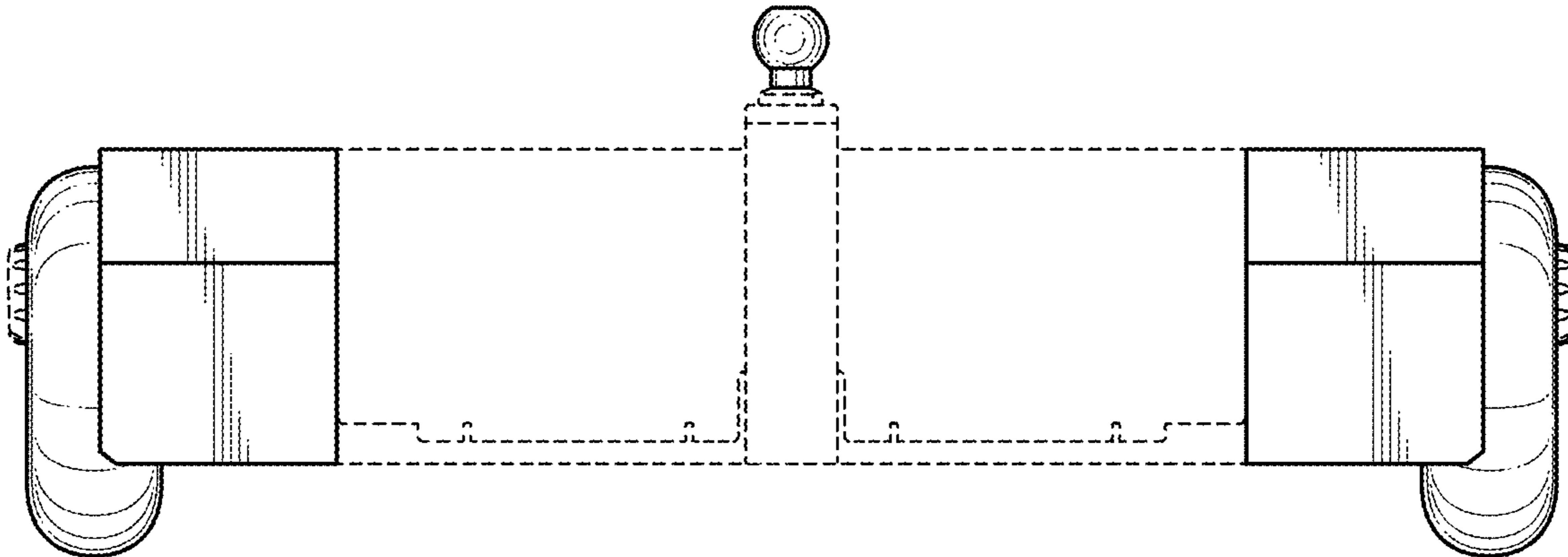


FIG. 6

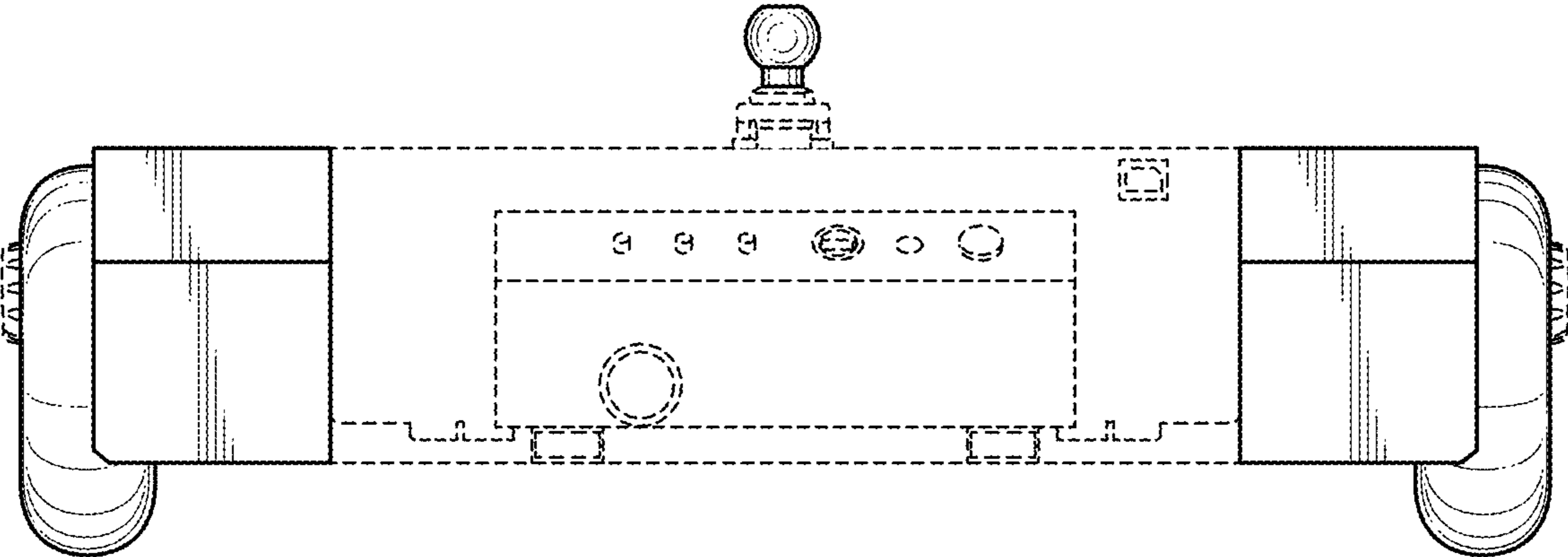


FIG. 7