



US00D965244S

(12) **United States Design Patent**  
**Zheng**

(10) **Patent No.:** **US D965,244 S**

(45) **Date of Patent:** **\*\* Sep. 27, 2022**

(54) **DEBRIS CONTAINER**

(71) Applicant: **Liping Zheng**, Shenzhen (CN)

(72) Inventor: **Liping Zheng**, Shenzhen (CN)

(\*\*) Term: **15 Years**

(21) Appl. No.: **29/831,221**

(22) Filed: **Mar. 18, 2022**

(30) **Foreign Application Priority Data**

Jan. 12, 2022 (CN) ..... 202230019477.X

(51) **LOC (13) Cl.** ..... **09-09**

(52) **U.S. Cl.**  
USPC ..... **D34/7**

(58) **Field of Classification Search**  
USPC ..... D34/1-11; D32/37, 25, 21; D9/737,  
D9/738, 770, 772, 777, 778, 743-745,  
D9/428, 429; D7/509, 523, 527, 531;  
D11/143, 152  
CPC ..... B65F 1/1607; B65F 1/068; B65F 1/06;  
B65F 1/062; B65F 2230/134; B65F  
2220/12; B65F 2250/114  
See application file for complete search history.

(56) **References Cited**

**U.S. PATENT DOCUMENTS**

D335,372 S \* 5/1993 Mosior ..... D24/231  
D335,373 S \* 5/1993 Mosior ..... D24/234

D611,207 S \* 3/2010 Yalcin ..... D32/6  
D654,937 S \* 2/2012 Fader ..... D15/138  
D703,886 S \* 4/2014 Ha ..... D32/6  
D731,131 S \* 6/2015 Ha ..... D32/25  
D746,006 S \* 12/2015 Ha ..... D32/25  
D770,102 S \* 10/2016 Armstrong ..... D32/6  
D839,506 S \* 1/2019 Ha ..... D32/6  
D890,231 S 7/2020 Suchman et al.  
D930,053 S 9/2021 Suchman et al.  
D943,223 S \* 2/2022 Beaudreault ..... D32/6

\* cited by examiner

*Primary Examiner* — George A Bugg  
*Assistant Examiner* — Tamara L Hahn

(57) **CLAIM**

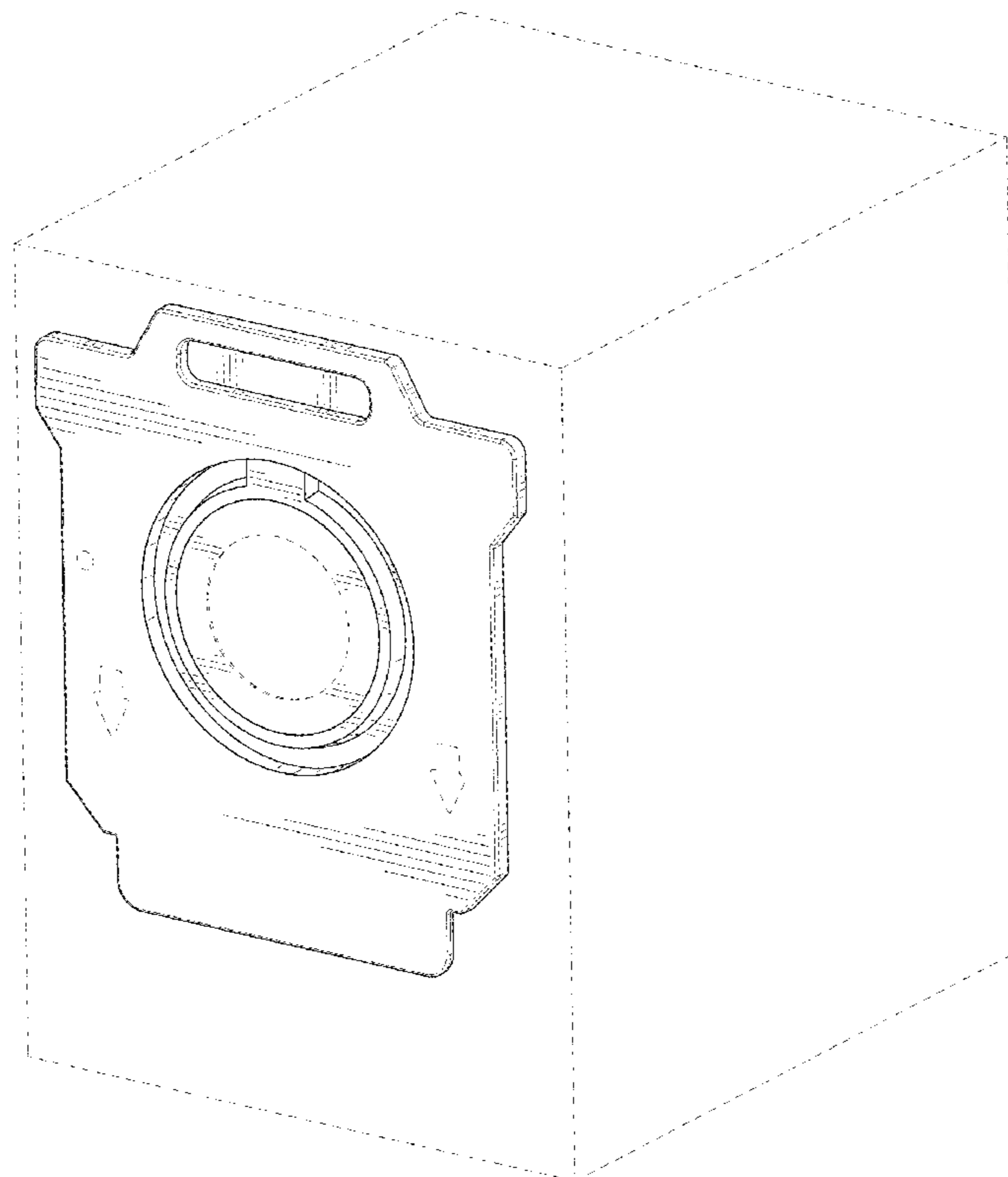
The ornamental design for a debris container, as shown and described.

**DESCRIPTION**

FIG. 1 is a perspective view of a debris container showing my new design;  
FIG. 2 is another perspective view thereof;  
FIG. 3 is a front elevational view thereof;  
FIG. 4 is a rear elevational view thereof;  
FIG. 5 is a left side elevational view thereof;  
FIG. 6 is a right side elevational view thereof;  
FIG. 7 is a top plan view thereof;  
FIG. 8 is a bottom plan view thereof; and,  
FIG. 9 is an exploded perspective view of the debris container.

The broken lines in the drawings depict portions of the debris container that form no part of the claimed design.

**1 Claim, 9 Drawing Sheets**



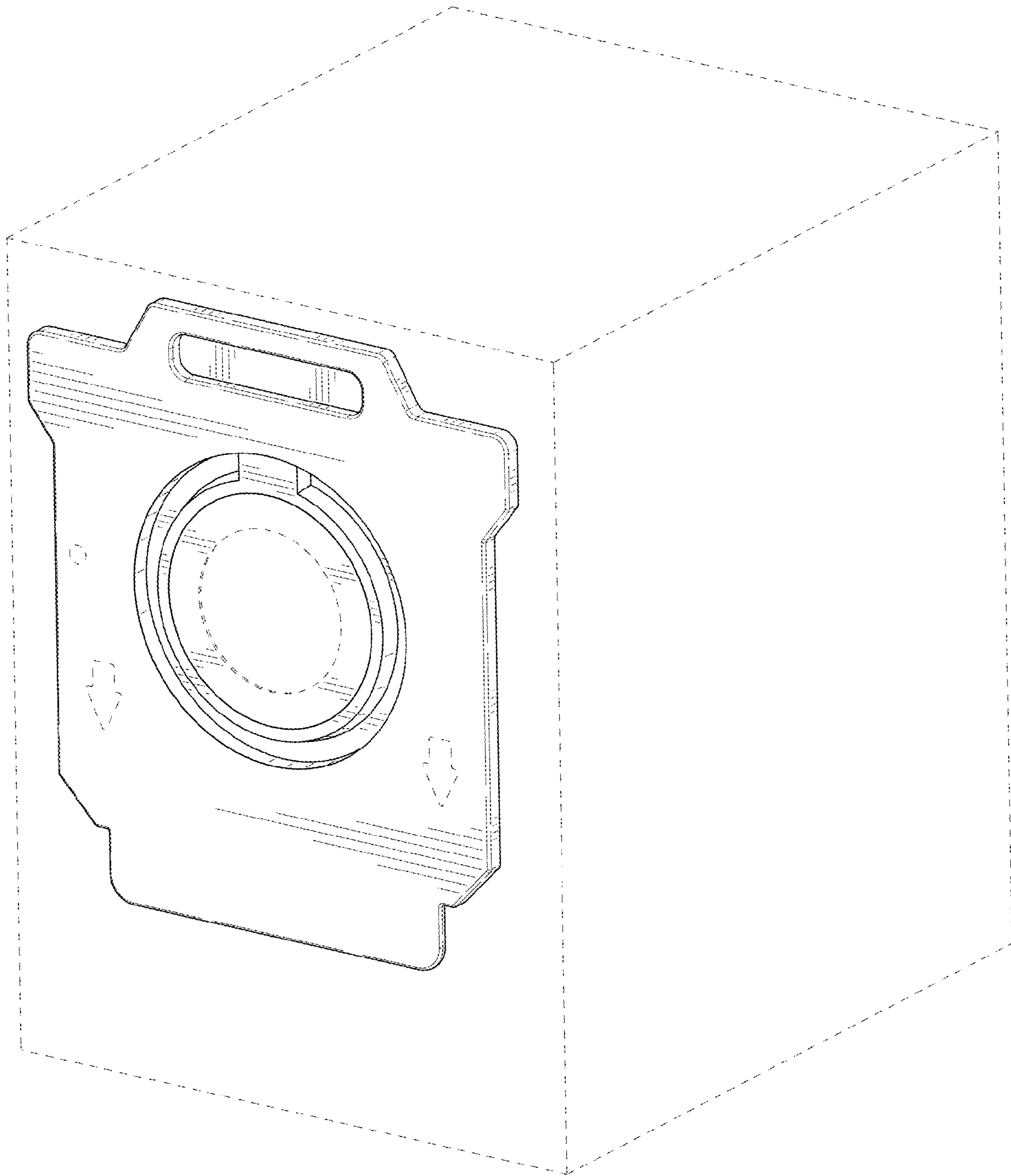


FIG. 1

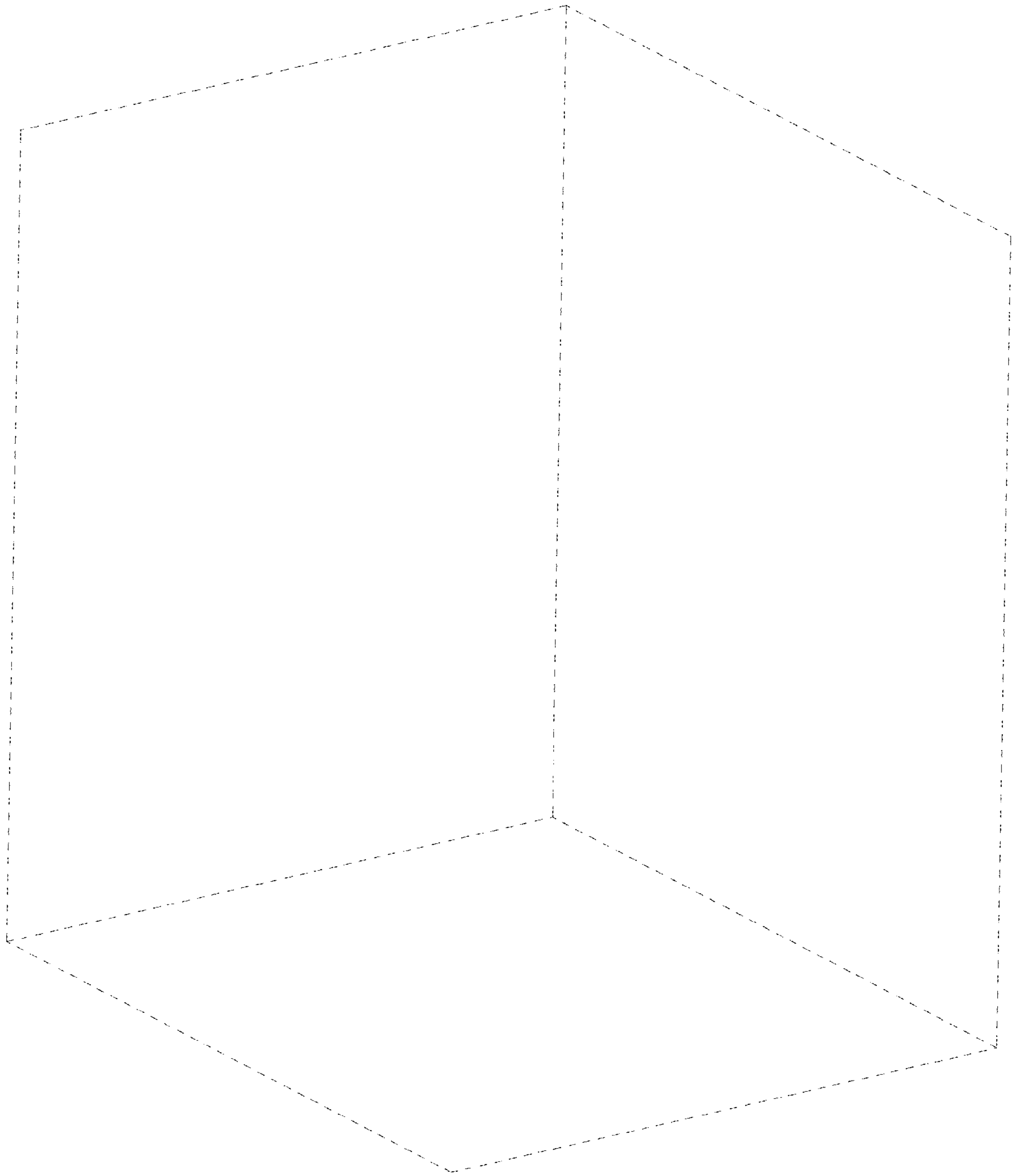


FIG. 2

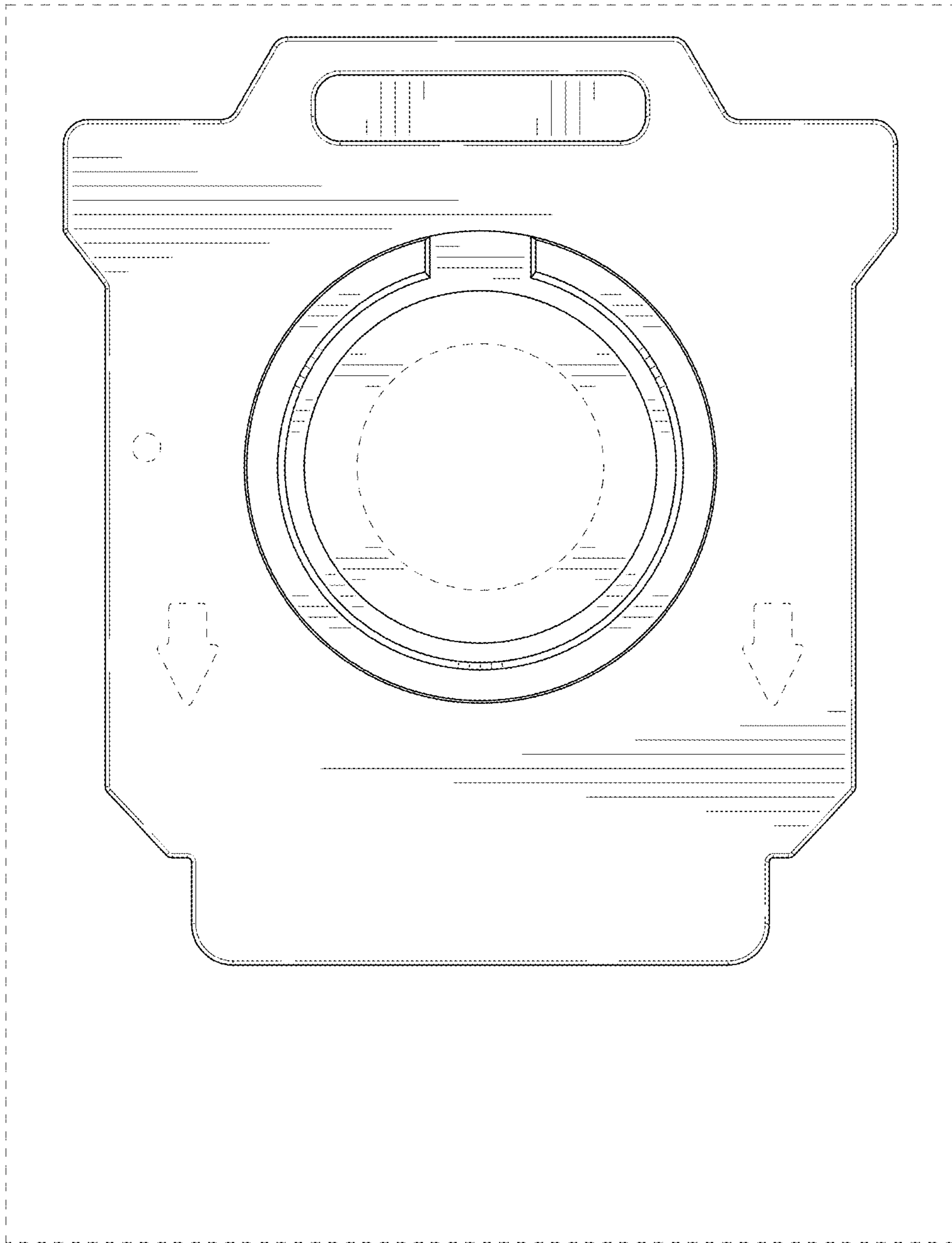


FIG. 3

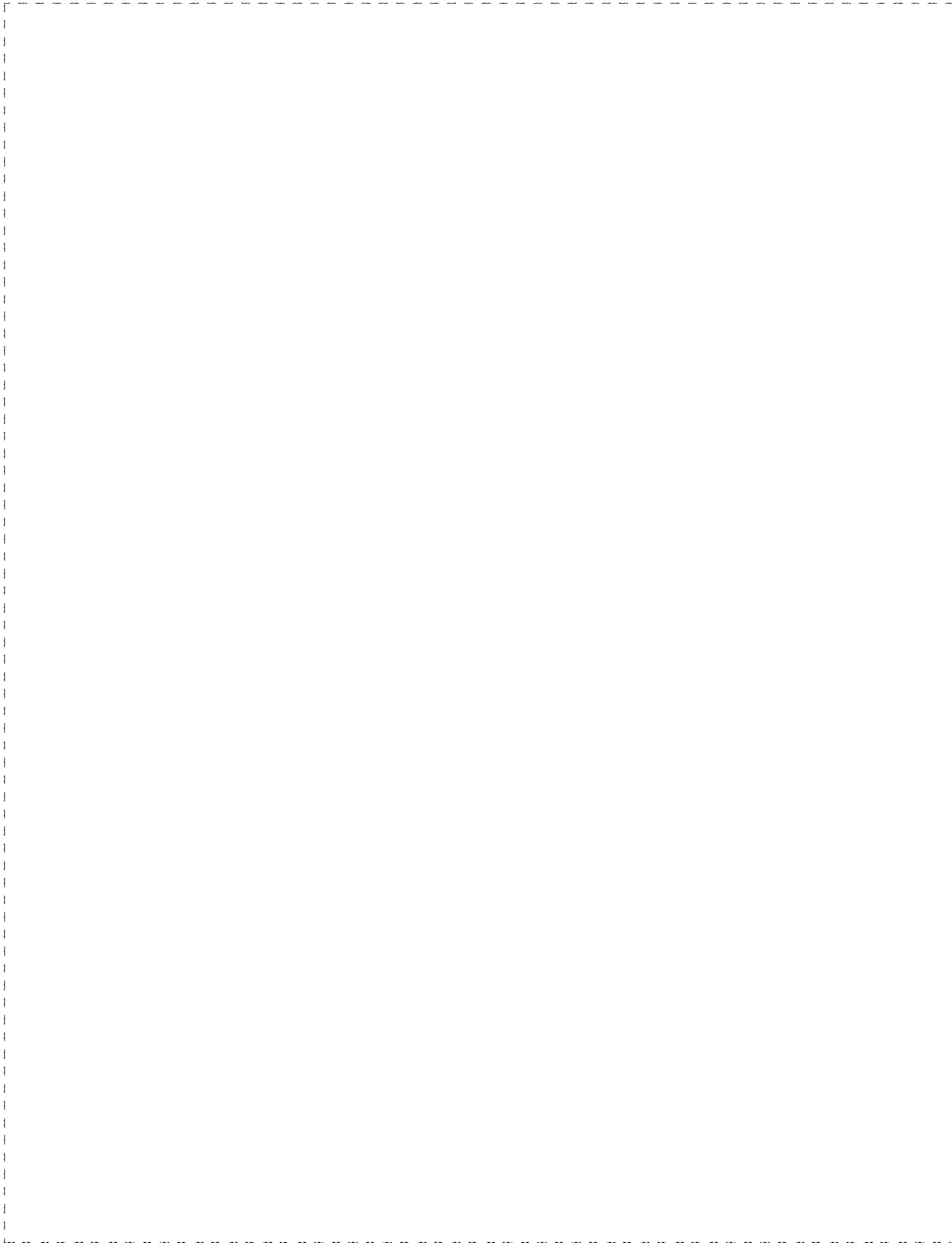


FIG. 4

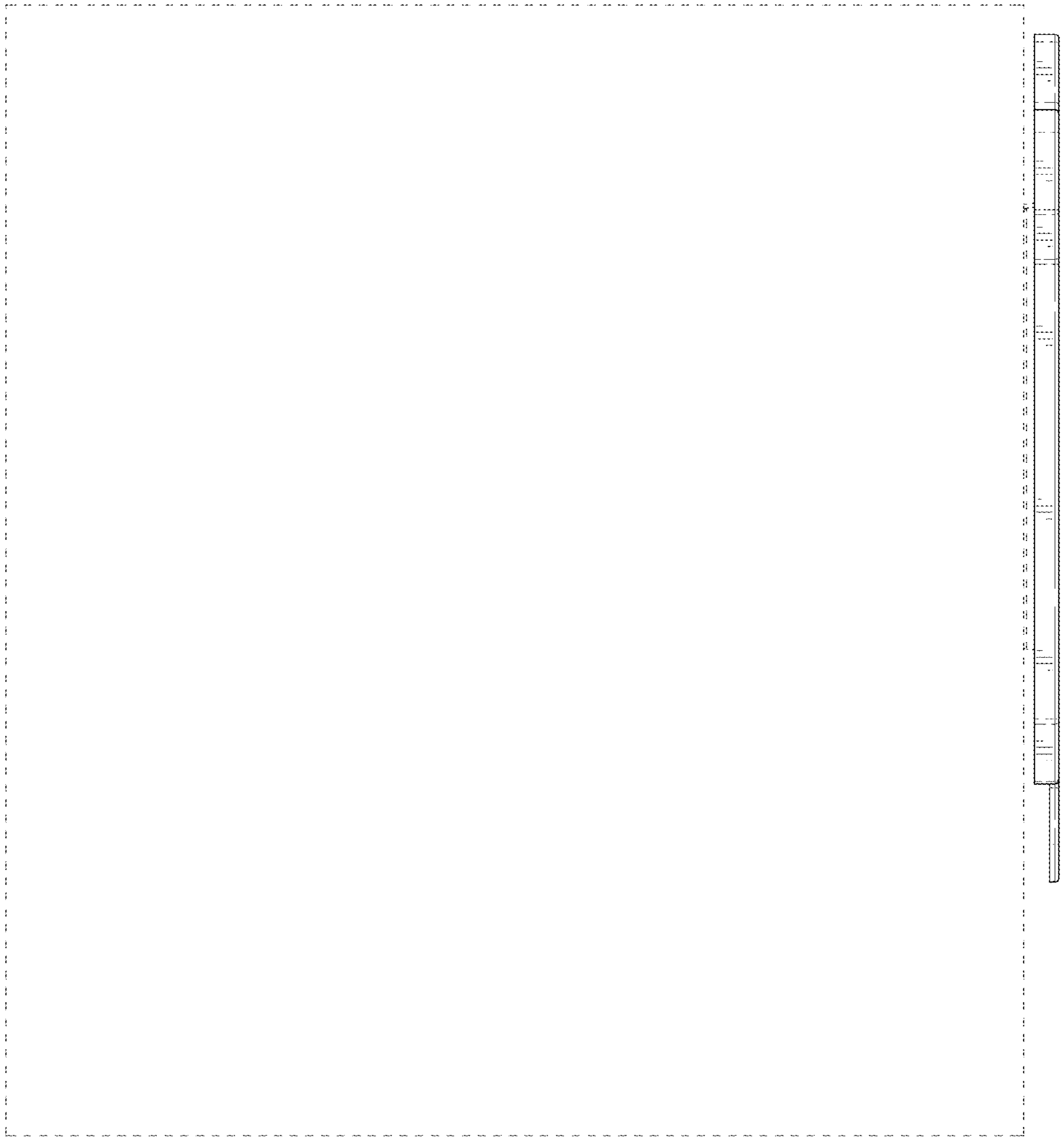


FIG. 5



FIG. 6

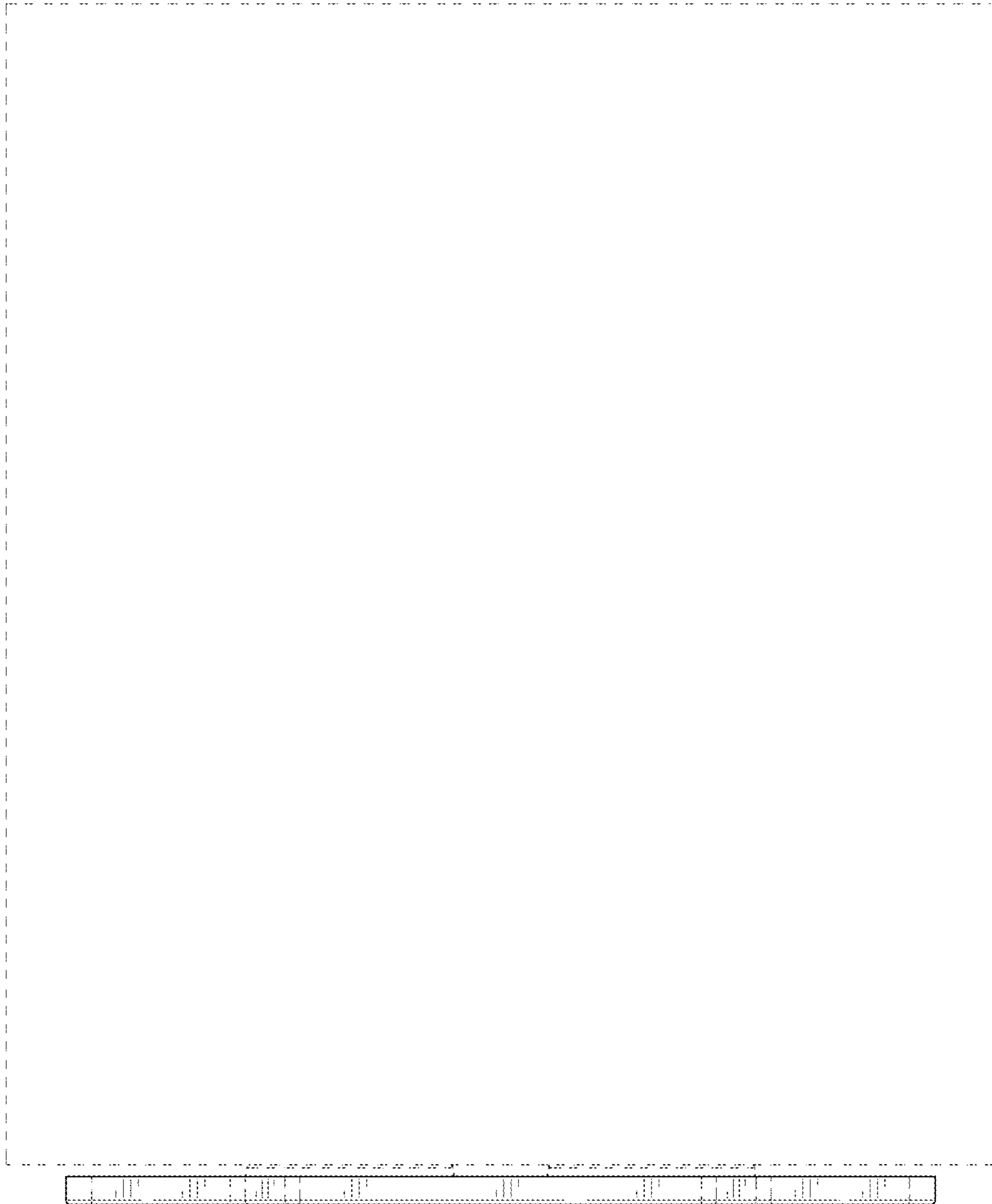


FIG. 7



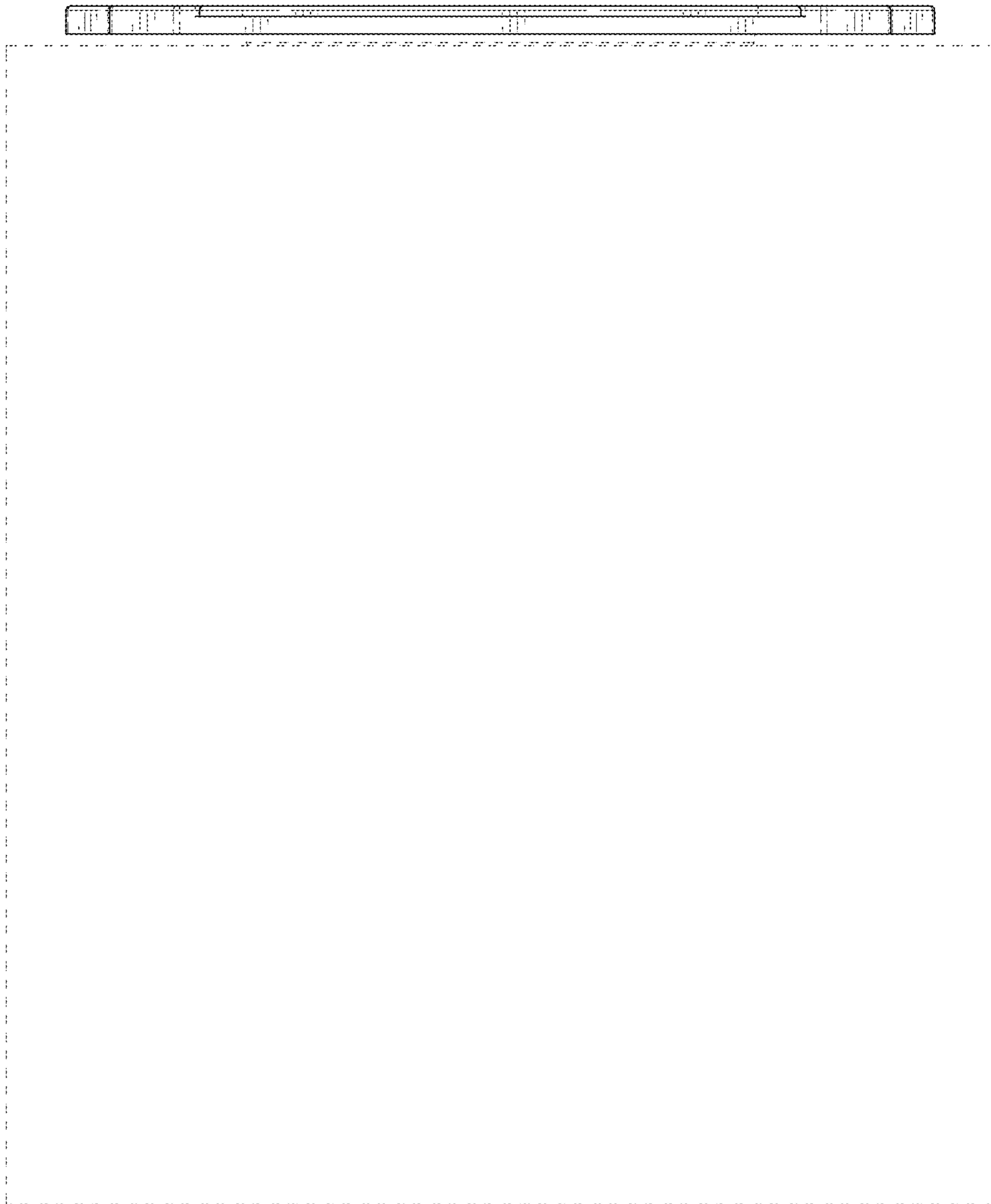


FIG. 8

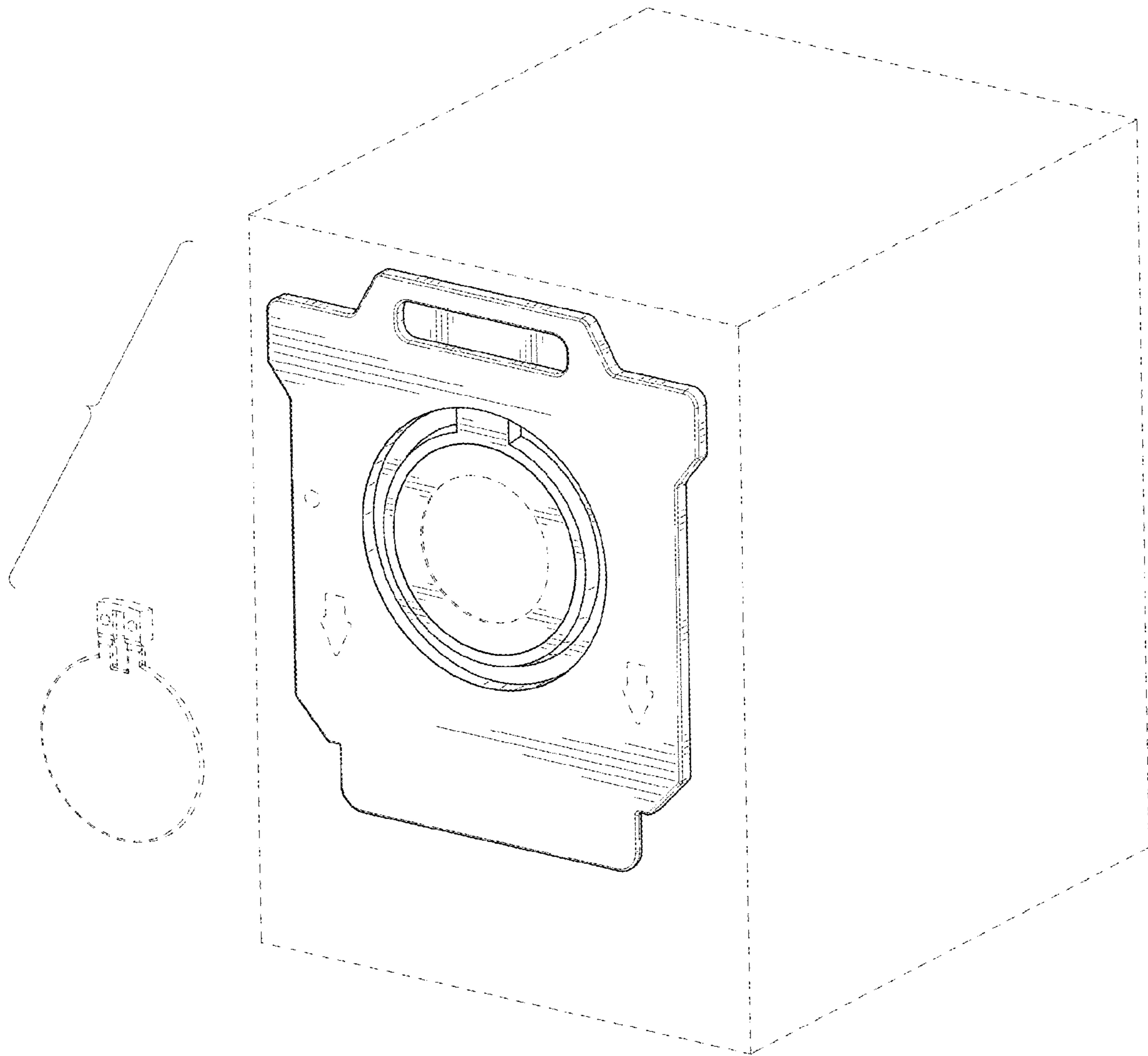


FIG. 9