



US00D965242S

(12) **United States Design Patent** (10) **Patent No.:** **US D965,242 S**
Laemle et al. (45) **Date of Patent:** **** *Sep. 27, 2022**

(54) **SCREEN CLEANER**
(71) Applicant: **David A. Laemle**, Westwood, NJ (US)
(72) Inventors: **David A. Laemle**, Westwood, NJ (US);
Marc Puglisi, Wayne, NJ (US)
(73) Assignee: **Davro Design**, Westwood, NJ (US)
(*) Notice: This patent is subject to a terminal disclaimer.

(**) Term: **15 Years**

(21) Appl. No.: **29/710,430**

(22) Filed: **Oct. 23, 2019**

(51) **LOC (13) Cl.** **07-05**

(52) **U.S. Cl.**
USPC **D32/43**

(58) **Field of Classification Search**
USPC D32/46, 49-52, 40-43; D7/688;
D8/105; D4/104, 138; D18/56; D10/14
CPC A47L 13/10; A47L 13/12
See application file for complete search history.

(56) **References Cited**

U.S. PATENT DOCUMENTS

D332,331 S *	1/1993	Hansen	D32/41
5,738,212 A *	4/1998	Pollard	A45D 40/26 206/362
D404,062 S *	1/1999	Vande Walle	D10/14
D410,177 S *	5/1999	Carder	D8/15
D416,654 S *	11/1999	Haynes	D28/63
D418,946 S *	1/2000	Byers Barrow	D28/63
D477,700 S *	7/2003	Chezzi	D32/40
D480,216 S *	10/2003	Weihrauch	D4/127
D557,333 S *	12/2007	Giannola	D18/56
D561,961 S *	2/2008	Talesfore	D32/43
D625,064 S *	10/2010	Lee	D32/42
D661,444 S *	6/2012	Davis	D32/43
D688,017 S *	8/2013	Uchiyama	D32/40
D735,433 S *	7/2015	Stewart	A46B 15/00 D32/46

D769,559 S *	10/2016	Anderson	D32/40
D773,141 S *	11/2016	Chitayat	D32/41
D786,519 S *	5/2017	Höglund	D32/40
D822,298 S *	7/2018	Krause	D32/43
D826,497 S *	8/2018	Smith	D32/40
D838,422 S *	1/2019	Zimmerman	D32/40
D851,345 S *	6/2019	Amell	D32/40
D901,803 S *	11/2020	Konkey	D32/40
D928,440 S *	8/2021	Fultano	D32/40

(Continued)

FOREIGN PATENT DOCUMENTS

JP D1537596 * 11/2015

OTHER PUBLICATIONS

Amazon.com: Umbra Buddy All-Purpose Squeegee, reviews 2014, <https://www.amazon.com/Umbra-All-Purpose-Squeegee-Window-Mirror/dp/BOOB8RZY6> . . . site visited Feb. 27, 2021.*

(Continued)

Primary Examiner — John R Yeh

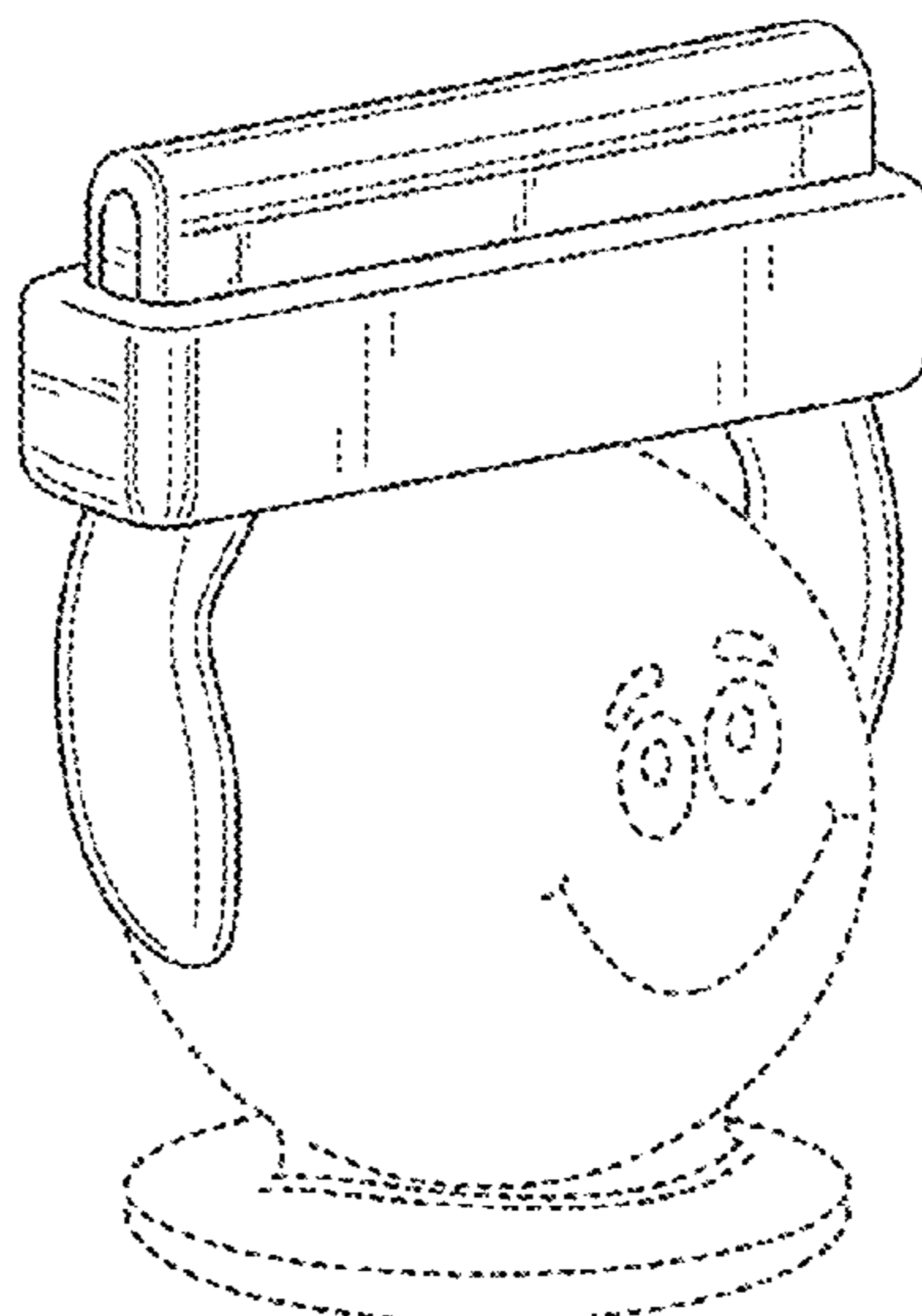
(57) **CLAIM**

The ornamental design for a screen cleaner, as shown and described.

DESCRIPTION

FIG. 1 is a front left perspective view of our design for a screen cleaner;
FIG. 2 is a front elevation view thereof;
FIG. 3 is a rear elevation view thereof;
FIG. 4 is a right-side elevation view thereof;
FIG. 5 is a left side elevation view thereof;
FIG. 6 is a top plan view thereof; and,
FIG. 7 is a bottom plan view thereof.
The broken lines show in FIGS. 1-7 are for the purpose of illustrating portions of the article that form no part of the claimed design.

1 Claim, 4 Drawing Sheets



(56)

References Cited

U.S. PATENT DOCUMENTS

2014/0075699 A1* 3/2014 Krause A47K 7/02
15/209.1
2020/0100641 A1* 4/2020 Konkey A47L 21/04

OTHER PUBLICATIONS

Buzzfeed Cleaning Products Pretty Much Everyone Needs, article
2020, [https://www.buzzfeed.com/katyherman/things-anyone-who-
ever-cleans-needs](https://www.buzzfeed.com/katyherman/things-anyone-who-ever-cleans-needs), site visited Feb. 27, 2021.*

Screen Buddy Smiley Face Webcam Cover | Promotions Now
webiste 2021, [https://www.promotionsnow.com/products/screen-
buddy-smiley-face-webcam-cover_8235](https://www.promotionsnow.com/products/screen-buddy-smiley-face-webcam-cover_8235) . . . site visited Feb. 27,
2021.*

* cited by examiner

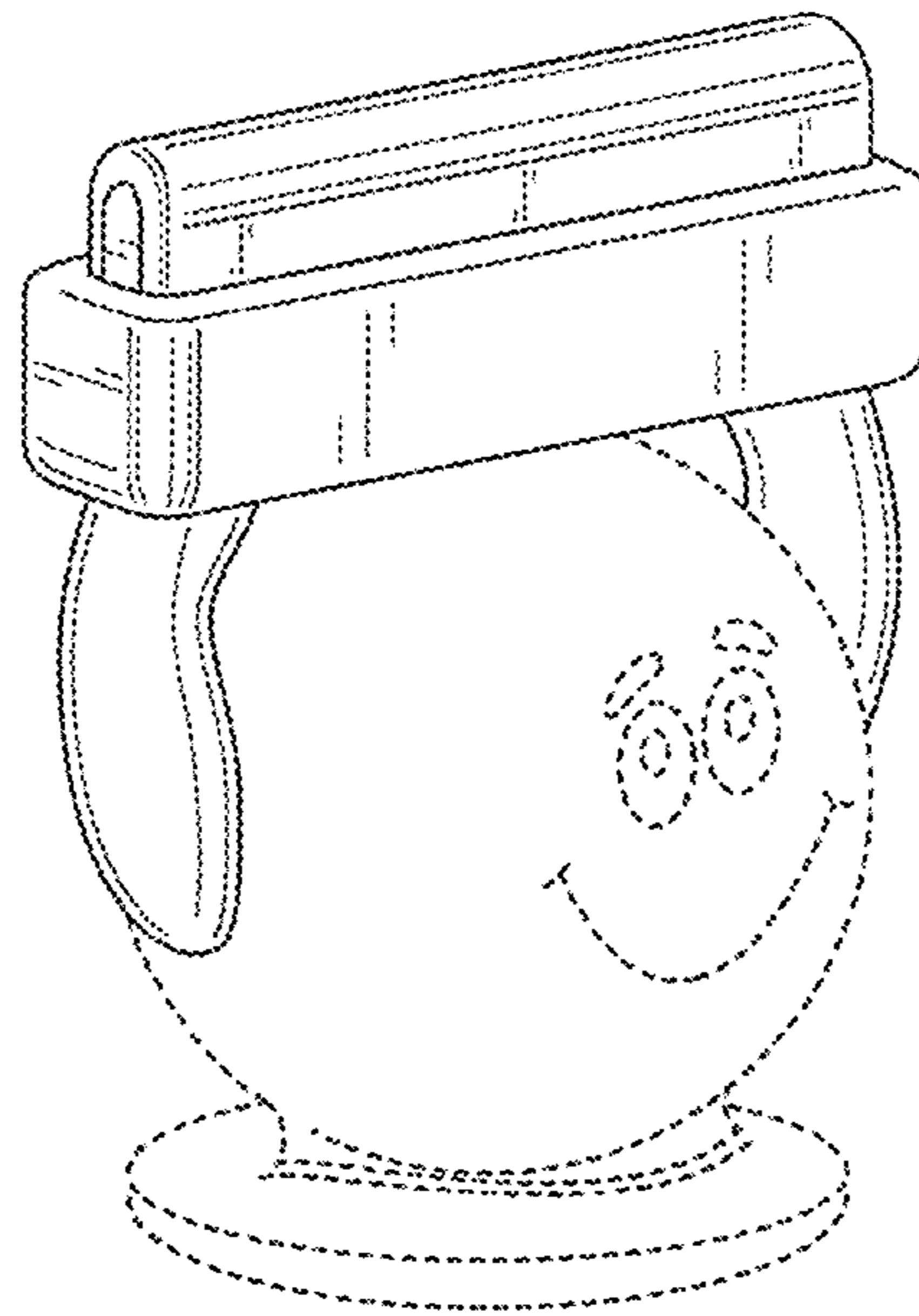


FIG. 1

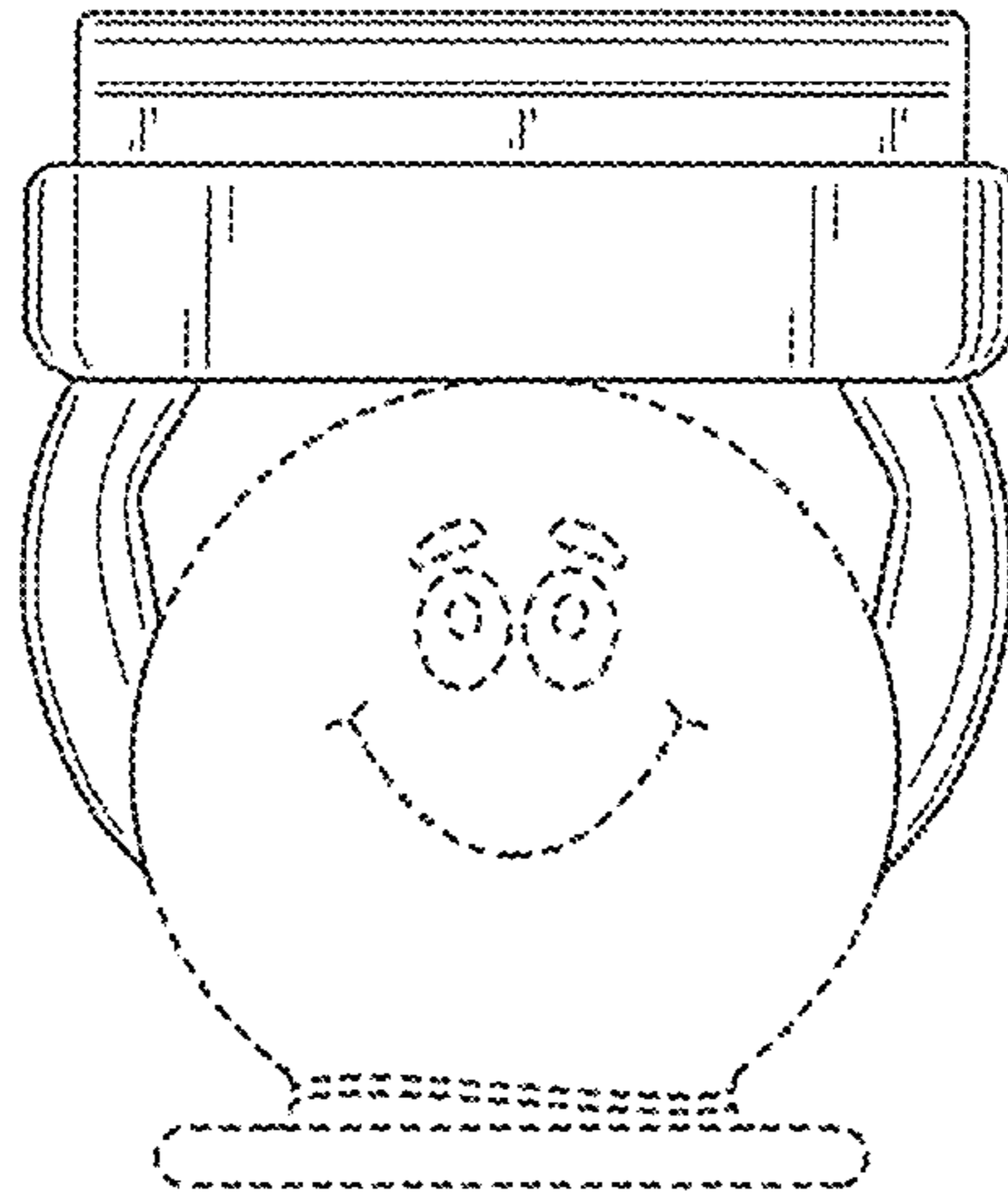


FIG. 2

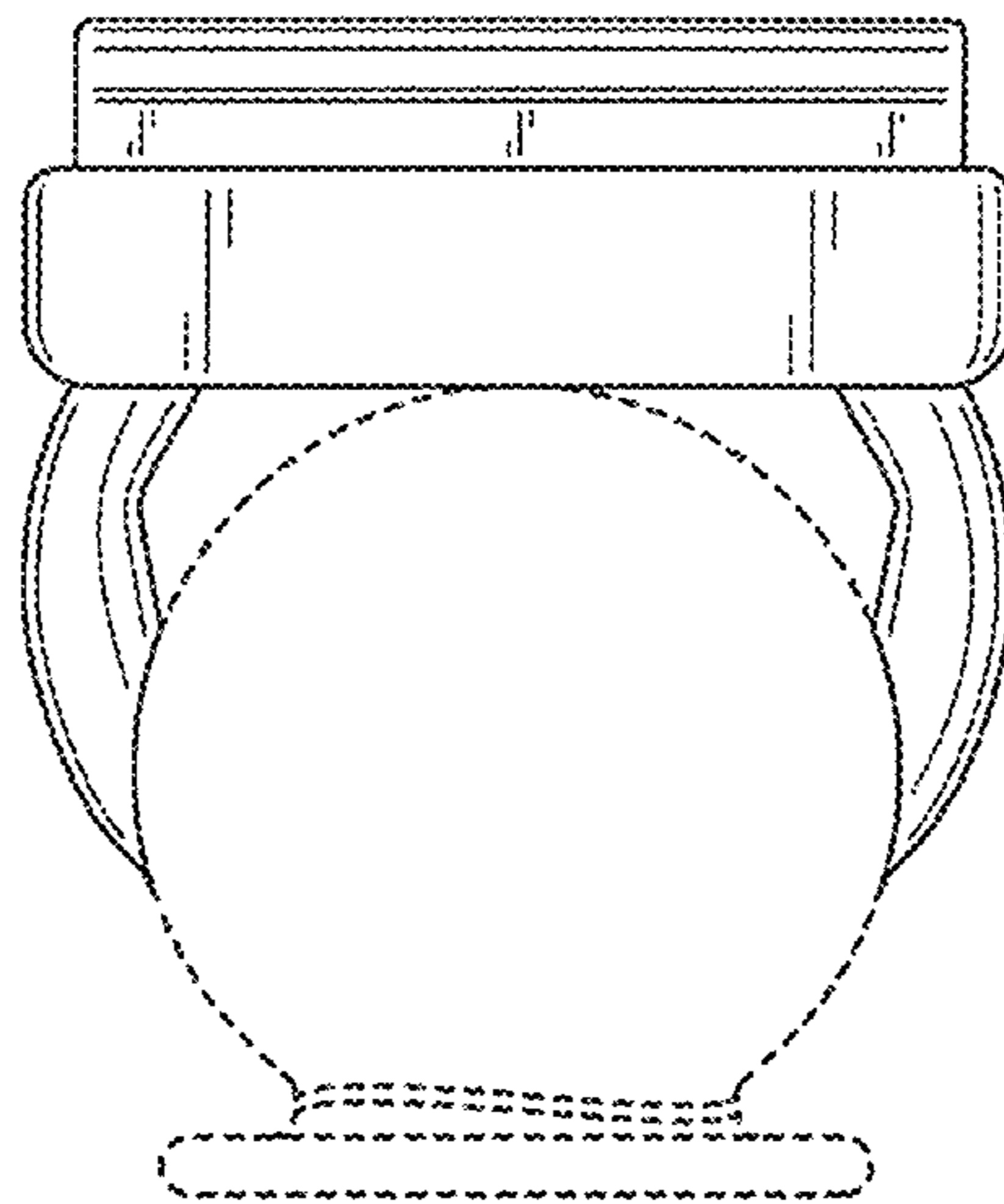


FIG. 3

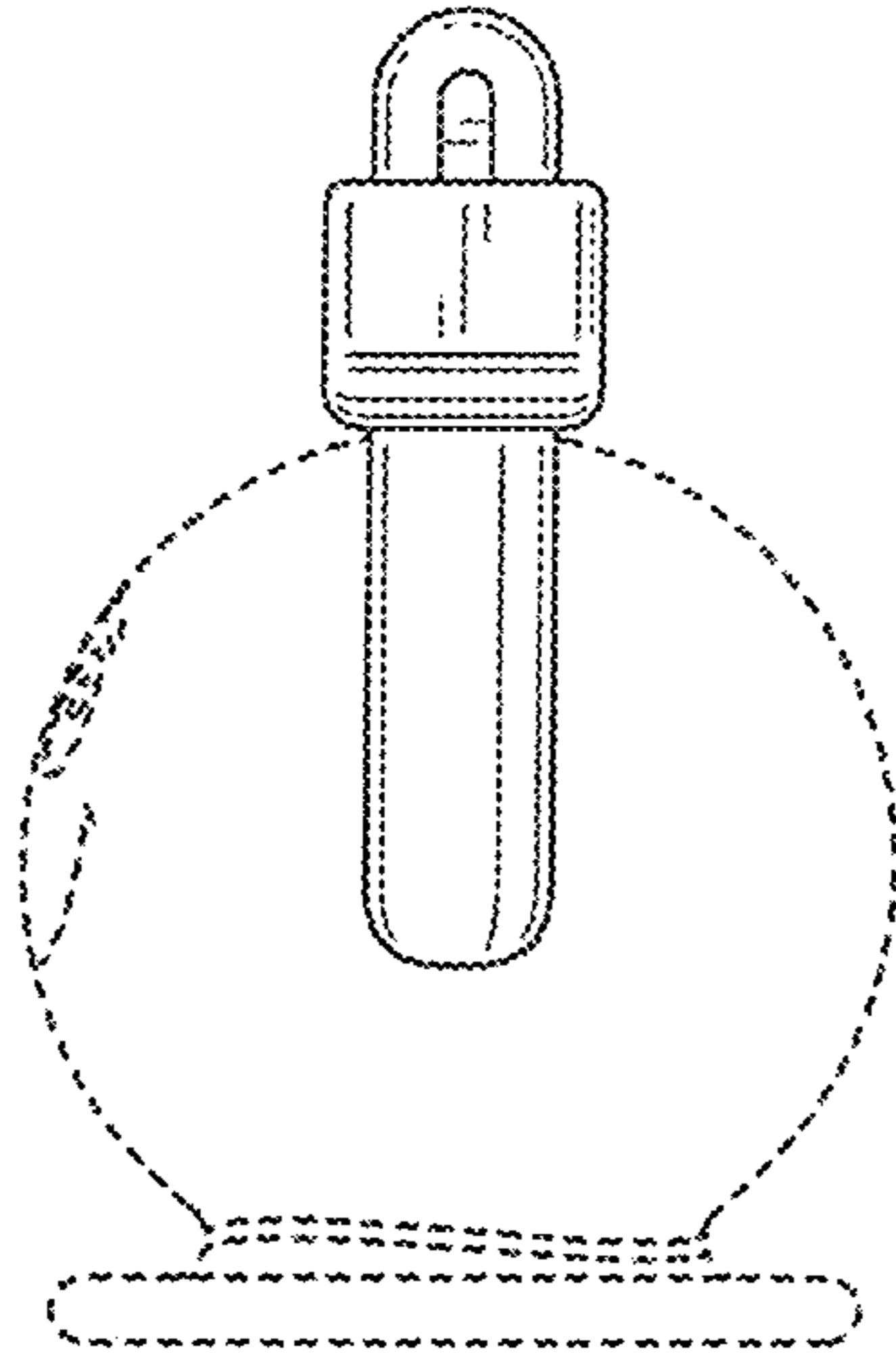


FIG. 4

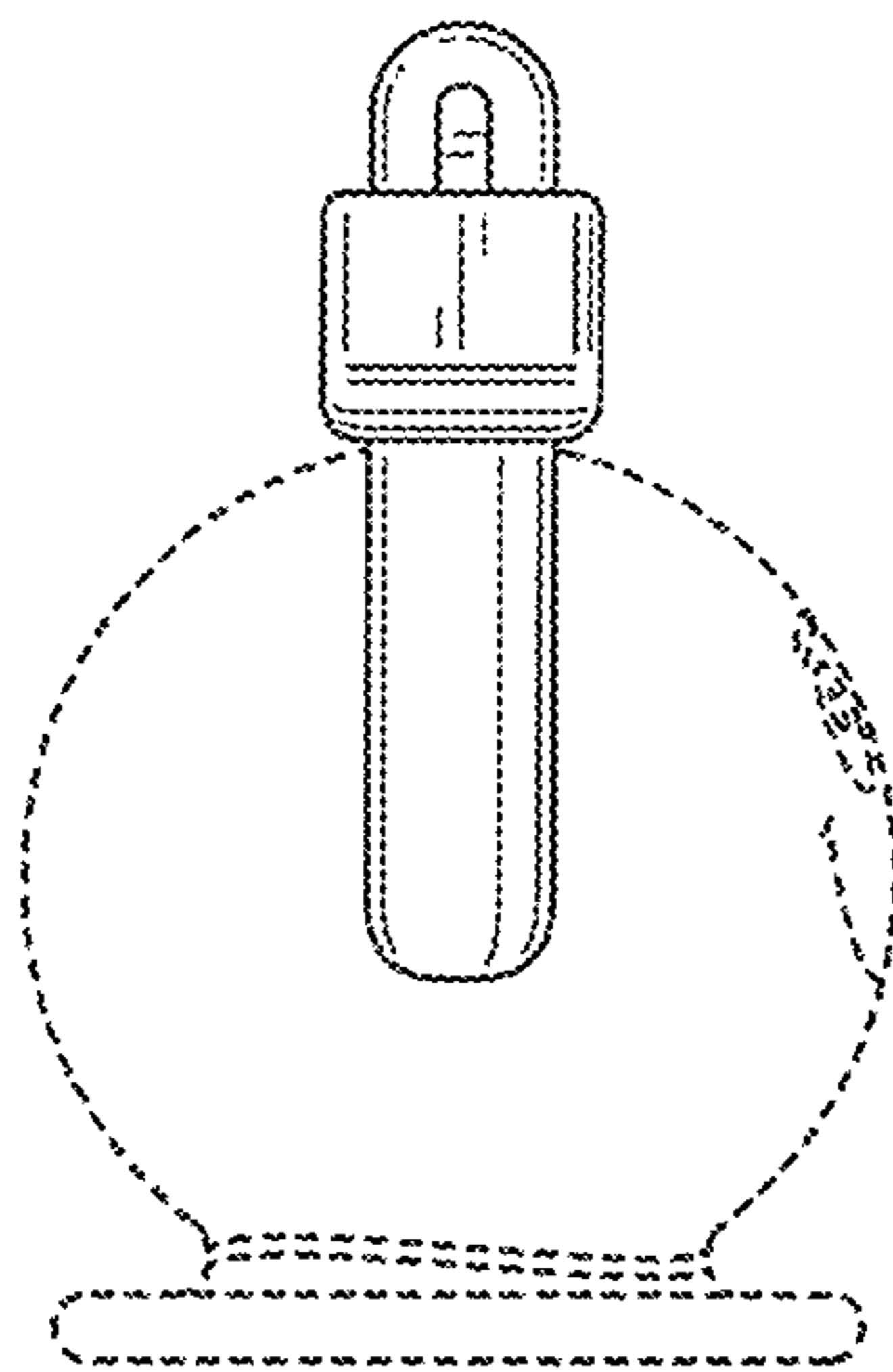


FIG. 5

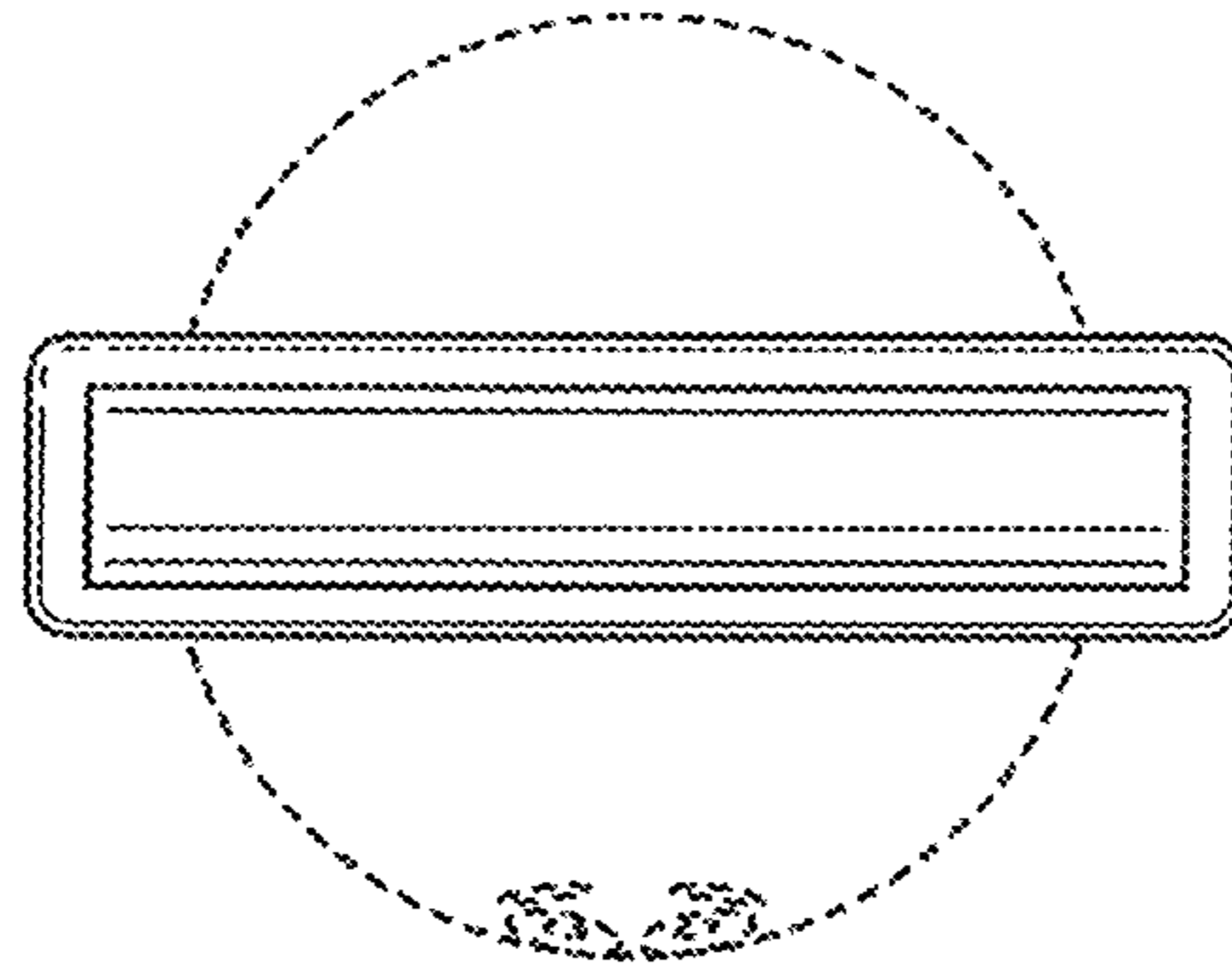


FIG. 6

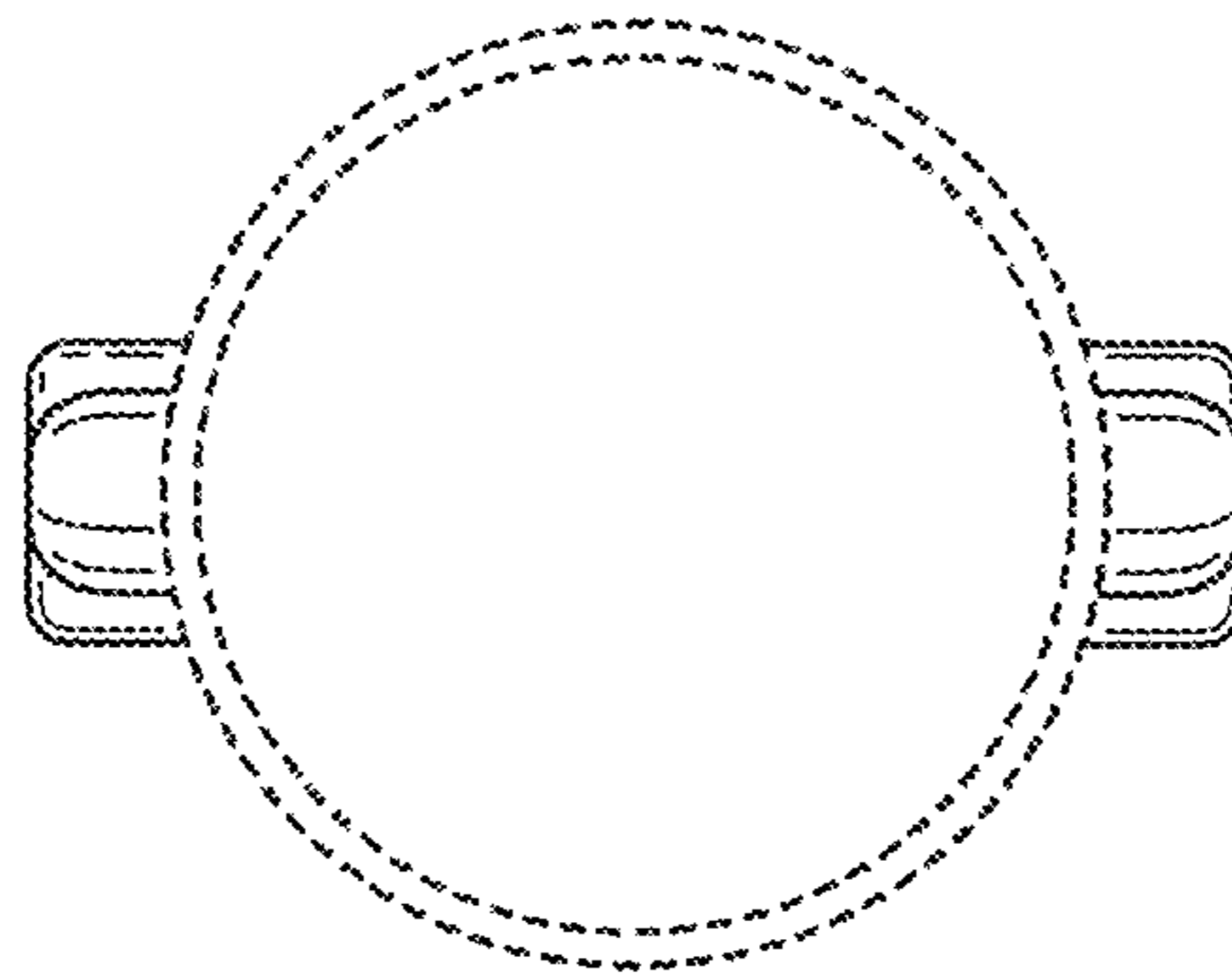


FIG. 7