



US00D965240S

(12) **United States Design Patent** (10) **Patent No.:** **US D965,240 S**
Chen (45) **Date of Patent:** **** Sep. 27, 2022**

(54) **VACUUM CLEANER**
(71) Applicant: **Liang Jun Chen**, Dongguan (CN)
(72) Inventor: **Liang Jun Chen**, Dongguan (CN)
(**) Term: **15 Years**
(21) Appl. No.: **29/814,039**

D812,829 S * 3/2018 Shin D06F 87/00
D32/25
D830,013 S 10/2018 Lee et al.
D835,867 S * 12/2018 Jang D32/18
D887,657 S 6/2020 Palladino et al.
D891,014 S * 7/2020 Chu D32/18
D923,888 S * 6/2021 Liu D32/21
D937,514 S * 11/2021 Zou D32/18
D938,675 S * 12/2021 Burgess D32/18

(Continued)

(22) Filed: **Nov. 3, 2021**
(51) **LOC (13) Cl.** **15-05**
(52) **U.S. Cl.**
USPC **D32/18**
(58) **Field of Classification Search**
USPC D32/17, 18, 21, 23, 25, 31, 32, 33, 34
CPC A47L 11/24; A47L 11/33; A47L 11/32;
A47L 9/1666; A47L 9/1608; A47L 11/00;
A47L 11/38; A47L 5/24; Y10S 55/03
See application file for complete search history.

FOREIGN PATENT DOCUMENTS

EM 008745046-0001 * 11/2021
FR 2686010 A1 * 7/1993 A47L 5/24

OTHER PUBLICATIONS

Newegg.com Black+Decker Dustbuster Cordless Handheld Vacuum
<https://www.newegg.com/black-decker-dustbuster-quickclean-cordless-hand-vacuum/p/0G1-0024-00039> (Year: 2022).*

Primary Examiner — Kevin K Rudzinski
Assistant Examiner — Richard E Yenchesky

(56) **References Cited**

U.S. PATENT DOCUMENTS

4,542,557 A * 9/1985 Levine A47L 5/24
15/353
4,603,448 A * 8/1986 Middleton A61C 17/349
15/23
D287,657 S * 1/1987 Yuen D32/18
D290,417 S * 6/1987 Leung D32/18
D298,874 S * 12/1988 Nakamura D32/18
D303,025 S * 8/1989 Yamamoto D32/18
D318,152 S * 7/1991 Pudwill D32/18
D355,058 S * 1/1995 Phelan D32/18
D527,501 S * 8/2006 Tai D32/18
D533,692 S * 12/2006 Snowball D32/18
D564,149 S * 3/2008 Fjellman D32/18
D564,152 S * 3/2008 Fjellman D32/18
D566,349 S * 4/2008 Agren D32/18
D648,496 S * 11/2011 Luyckx D32/18
D773,130 S * 11/2016 Gray D32/18
D803,492 S * 11/2017 Jang D32/18
D807,598 S * 1/2018 Houghton D32/18
9,903,133 B2 * 2/2018 Bruneel C02F 1/00

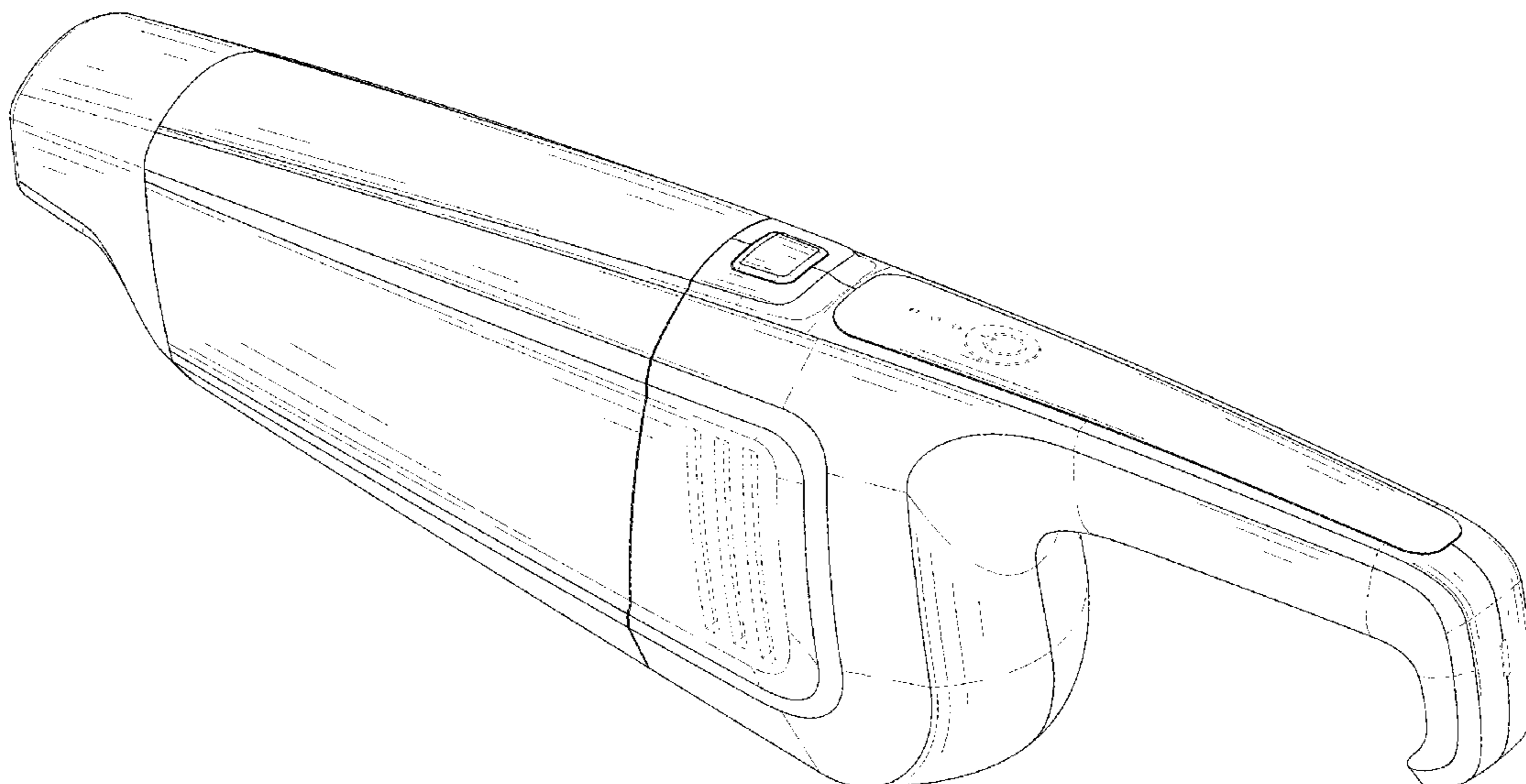
(57) **CLAIM**

The ornamental design for a vacuum cleaner, as shown and described.

DESCRIPTION

FIG. 1 is a perspective view of a vacuum cleaner showing my new design;
FIG. 2 is another perspective view thereof;
FIG. 3 is a front elevational view thereof;
FIG. 4 is a rear elevational view thereof;
FIG. 5 is a left side elevational view thereof;
FIG. 6 is a right side elevational view thereof;
FIG. 7 is a top plan view thereof; and,
FIG. 8 is a bottom plan view thereof.
The broken lines in the drawings depict portions of the vacuum cleaner that form no part of the claimed design.

1 Claim, 8 Drawing Sheets



(56)

References Cited

U.S. PATENT DOCUMENTS

D943,848 S * 2/2022 Liu D32/18
2021/0204770 A1* 7/2021 Terry A47L 5/28

* cited by examiner

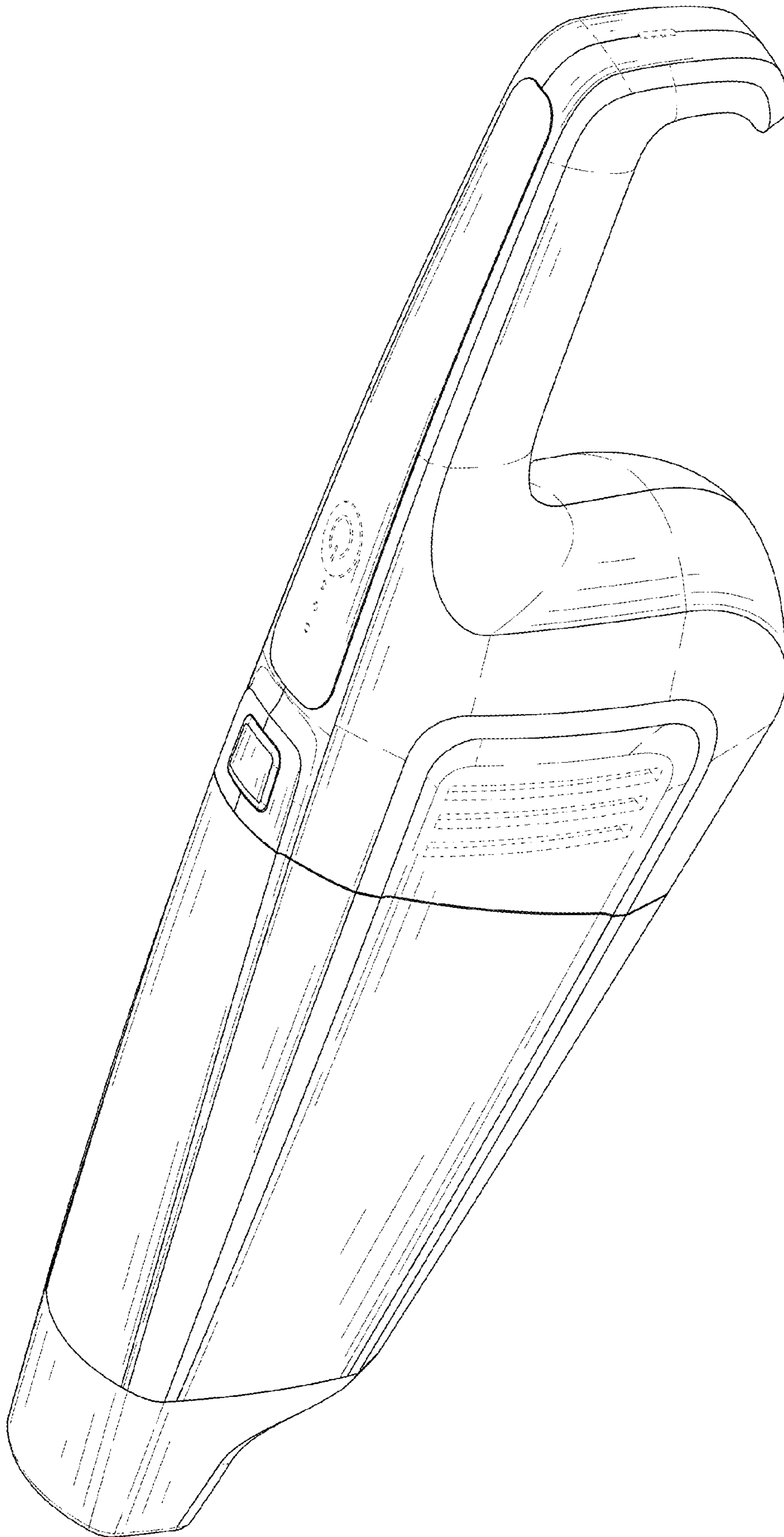


FIG. 1

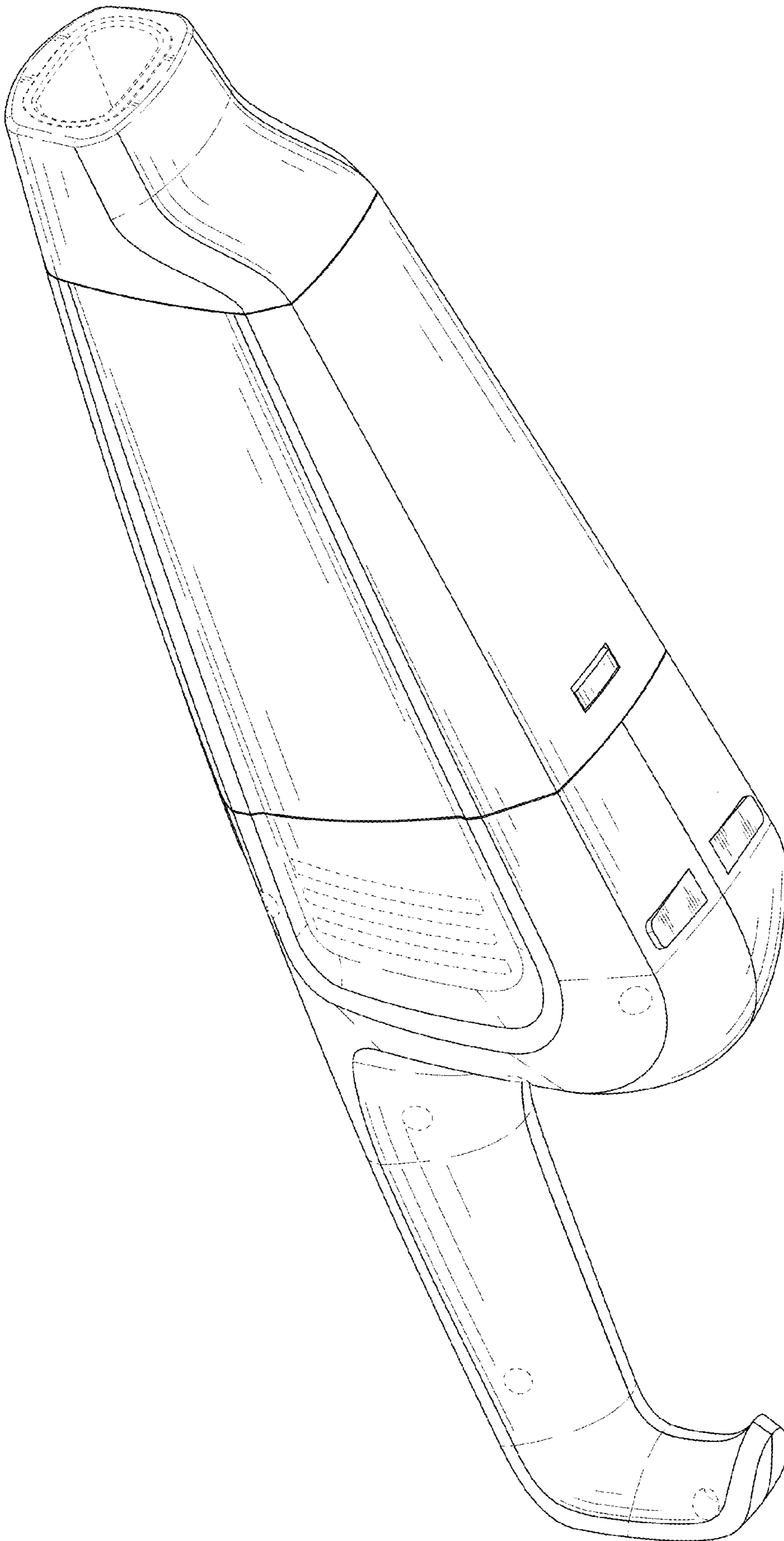


FIG. 2

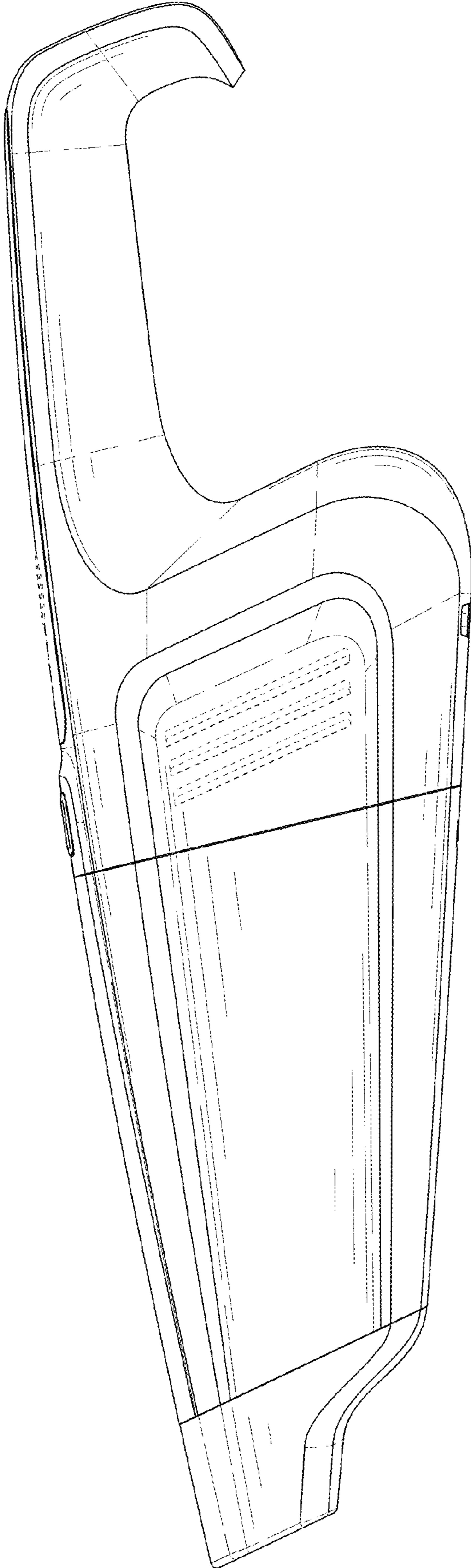


FIG. 3

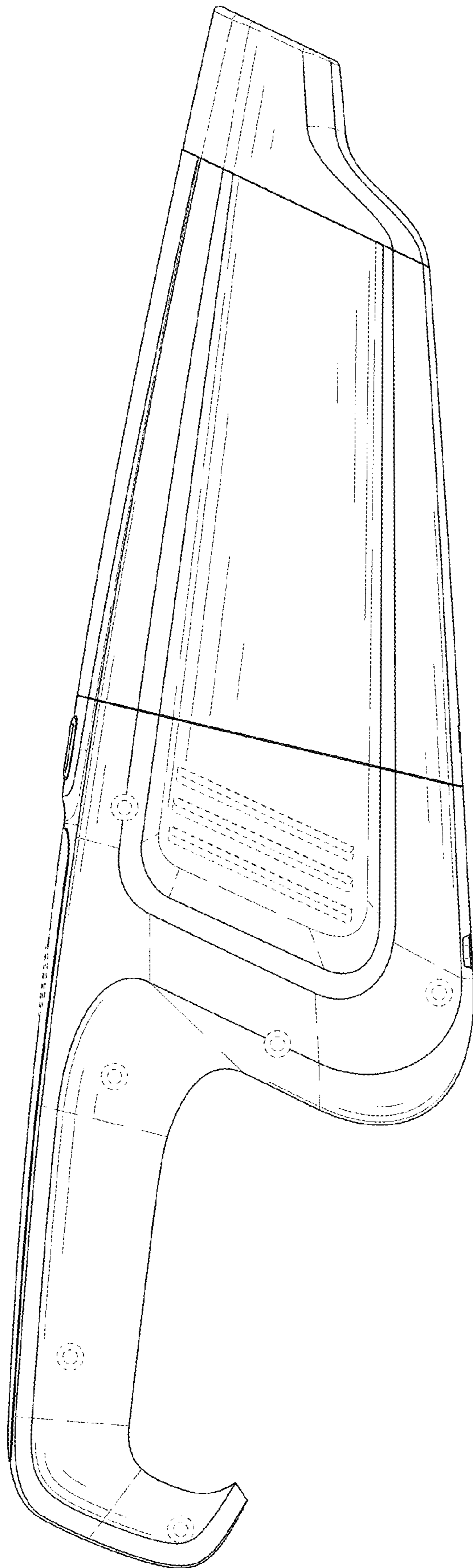


FIG. 4

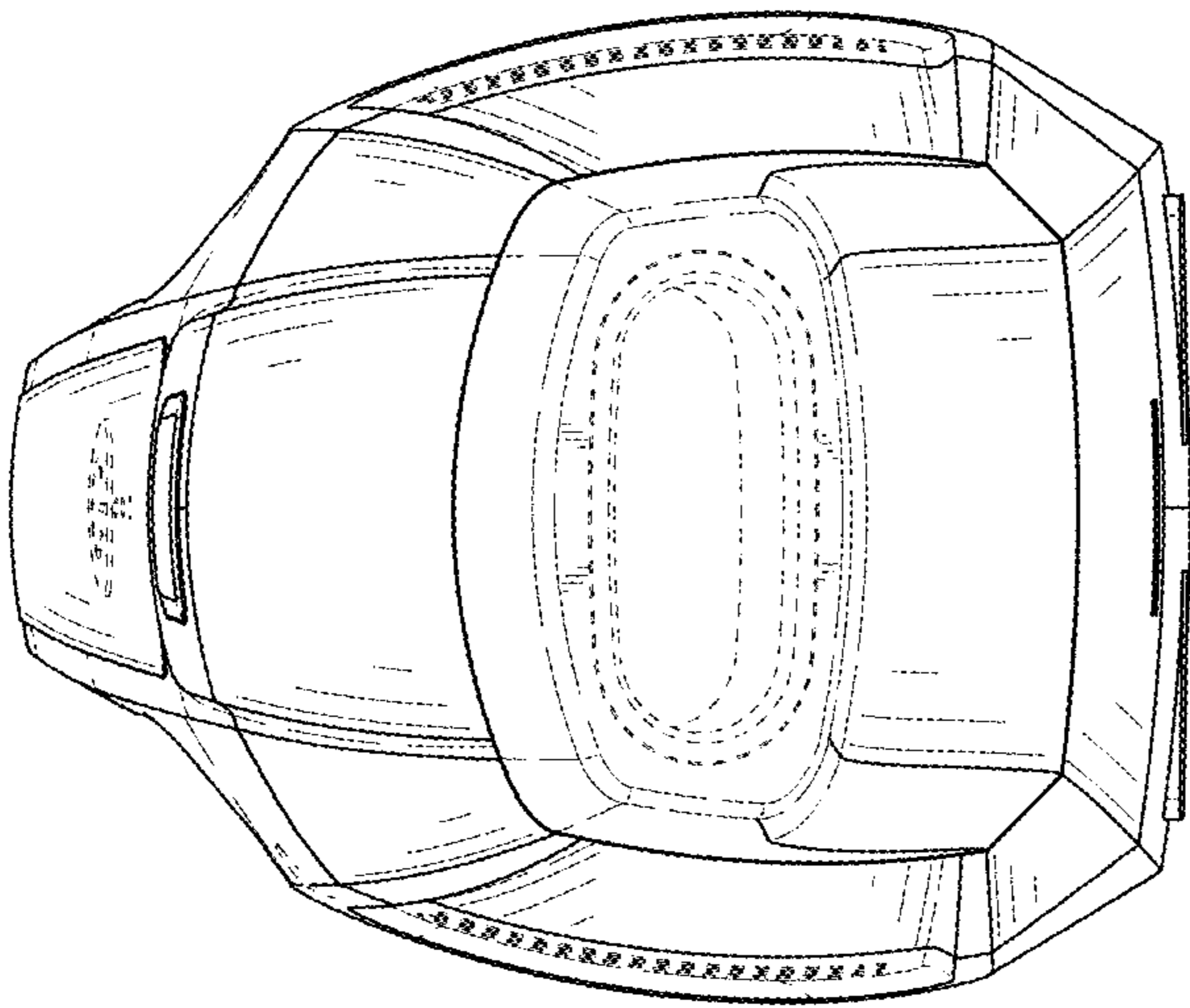


FIG. 5

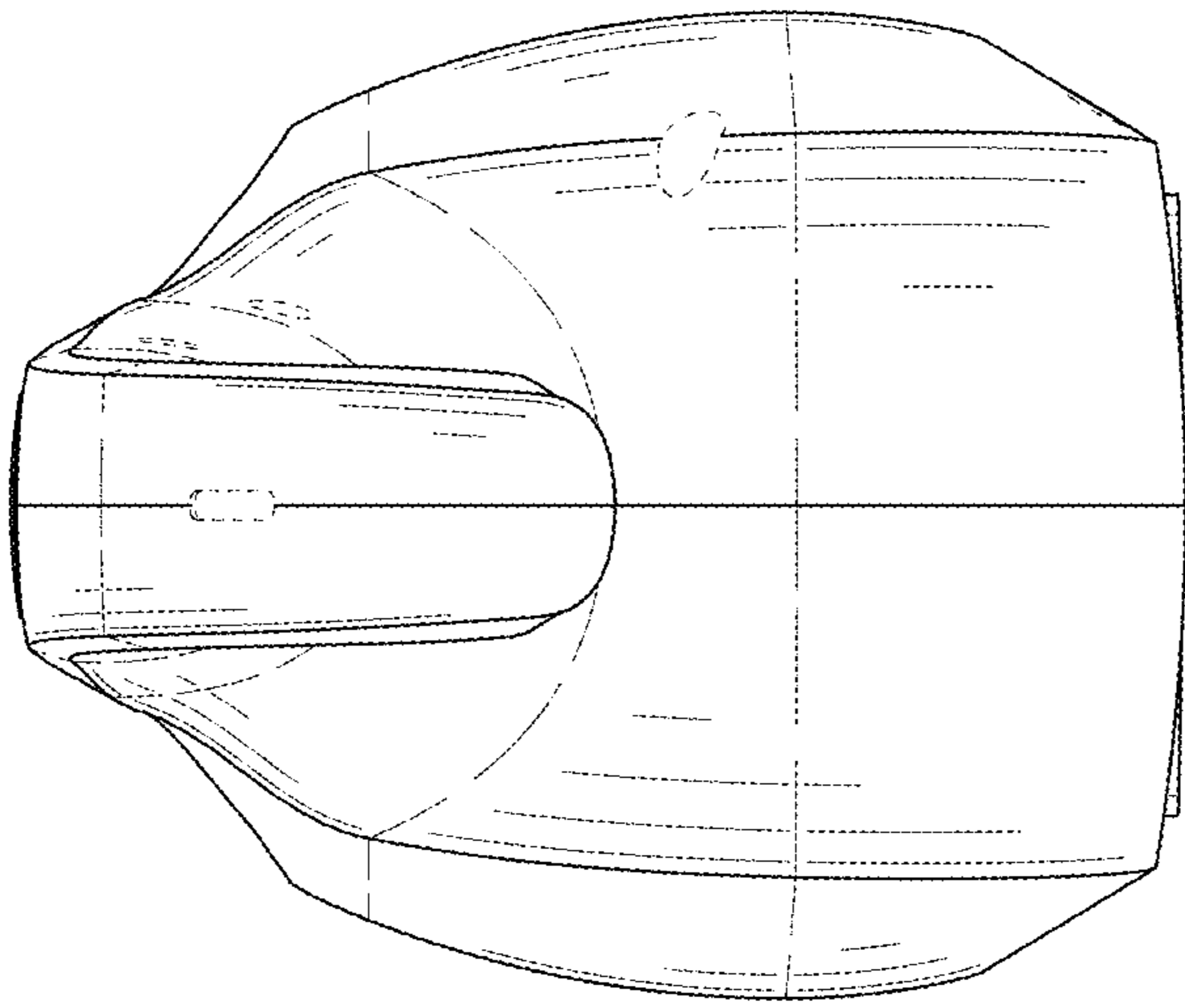


FIG. 6

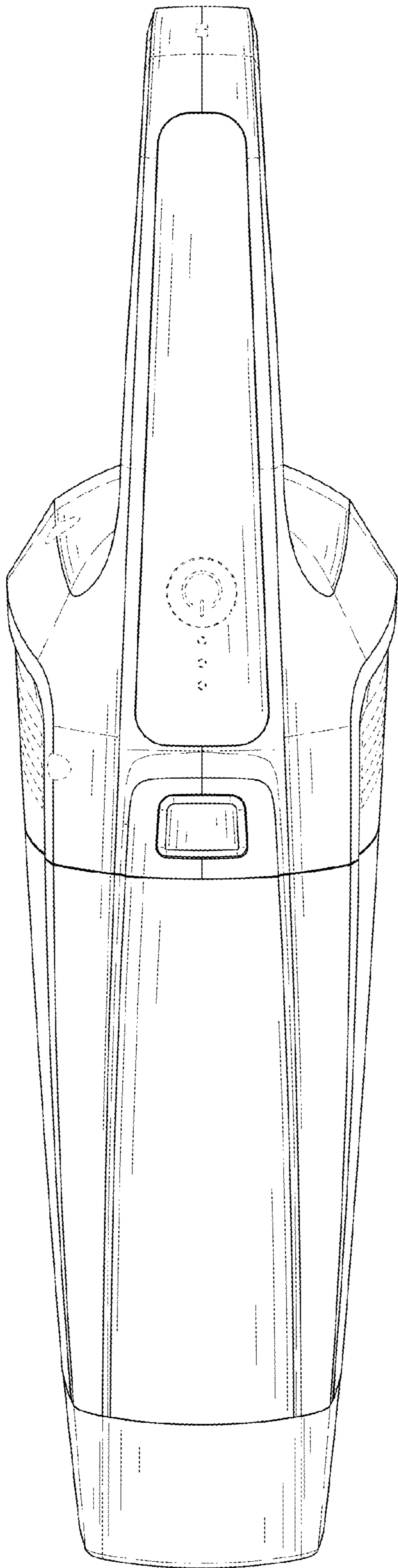


FIG. 7

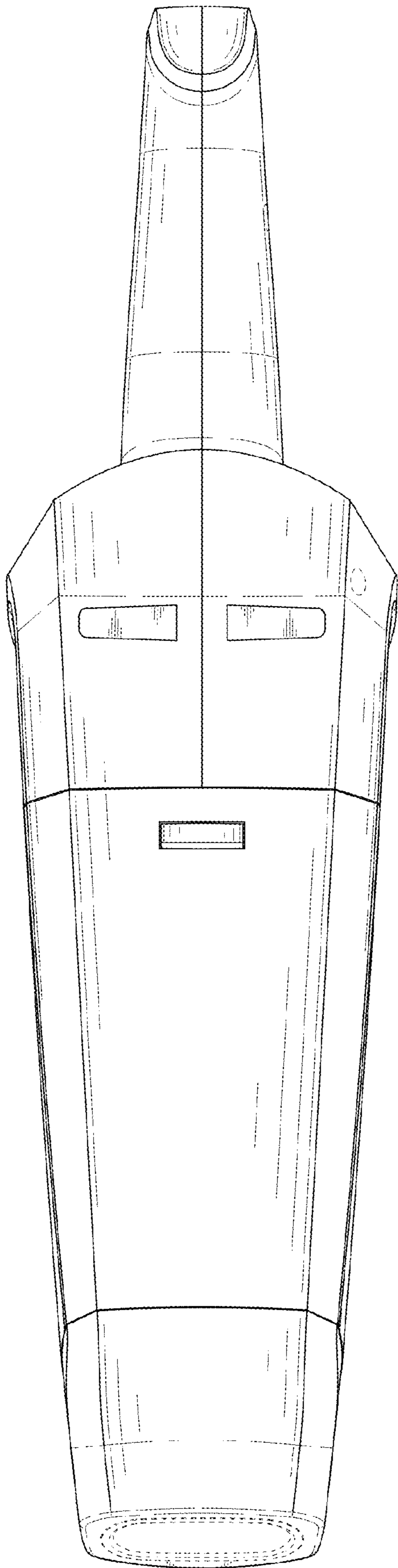


FIG. 8