



US00D965239S

(12) **United States Design Patent** (10) **Patent No.:** **US D965,239 S**  
**Chen** (45) **Date of Patent:** **\*\* Sep. 27, 2022**

- (54) **VACUUM CLEANER**
- (71) Applicant: **Liang Jun Chen**, Dongguan (CN)
- (72) Inventor: **Liang Jun Chen**, Dongguan (CN)
- (\*\*) Term: **15 Years**
- (21) Appl. No.: **29/814,038**
- (22) Filed: **Nov. 3, 2021**
- (51) **LOC (13) Cl.** ..... **15-05**
- (52) **U.S. Cl.**  
USPC ..... **D32/18**
- (58) **Field of Classification Search**  
USPC ..... D32/17, 18, 21, 23, 25, 31, 32, 33, 34  
CPC ..... A47L 11/24; A47L 11/33; A47L 11/32;  
A47L 9/1666; A47L 9/1608; A47L 11/00;  
A47L 11/38; A47L 5/24; Y10S 55/03  
See application file for complete search history.

2019/0282051	A1*	9/2019	Conrad	.....	A47L 9/1608
2019/0282052	A1*	9/2019	Conrad	.....	A47L 9/1666
2019/0290082	A1*	9/2019	Conrad	.....	A47L 9/106
2019/0290083	A1*	9/2019	Conrad	.....	A47L 9/2868
2019/0290084	A1*	9/2019	Conrad	.....	A47L 5/225
2019/0328188	A1*	10/2019	Conrad	.....	A47L 9/322
2020/0288931	A1*	9/2020	Conrad	.....	A47L 9/125
2021/0361131	A1*	11/2021	Conrad	.....	A47L 9/22

- (56) **References Cited**  
U.S. PATENT DOCUMENTS
- 2,007,631 A \* 7/1935 Bieth ..... A47L 5/362  
55/482
- 2,464,401 A \* 3/1949 Kelly ..... A47L 9/22  
55/467
- D290,776 S \* 7/1987 Wallin ..... D8/30
- D314,650 S \* 2/1991 Pudwill ..... D32/18
- D368,838 S \* 4/1996 Paklaian ..... D24/114
- D812,829 S \* 3/2018 Shin ..... D06F 87/00  
D32/25
- D830,013 S 10/2018 Lee et al.
- D887,657 S 6/2020 Palladino et al.
- D891,014 S \* 7/2020 Chu ..... D32/18
- D937,510 S \* 11/2021 Xu ..... D32/18
- D937,514 S \* 11/2021 Zou ..... D32/18
- D943,851 S \* 2/2022 Zhang ..... D32/23
- D945,095 S \* 3/2022 Dimbylow ..... D32/22
- D945,724 S \* 3/2022 Dimbylow ..... D32/22
- 2019/0282048 A1\* 9/2019 Conrad ..... A47L 9/16
- 2019/0282049 A1\* 9/2019 Conrad ..... A47L 9/165

**OTHER PUBLICATIONS**

Amazon.co.uk Handheld Mini Car Hoover Cordless Vacuum Cleaner  
[https://www.amazon.co.uk/dp/B09QL5RV4X/ref=sspa\\_dk\\_detail\\_5](https://www.amazon.co.uk/dp/B09QL5RV4X/ref=sspa_dk_detail_5) (Year: 2022).\*

\* cited by examiner

*Primary Examiner* — Kevin K Rudzinski  
*Assistant Examiner* — Richard E Yenchesky

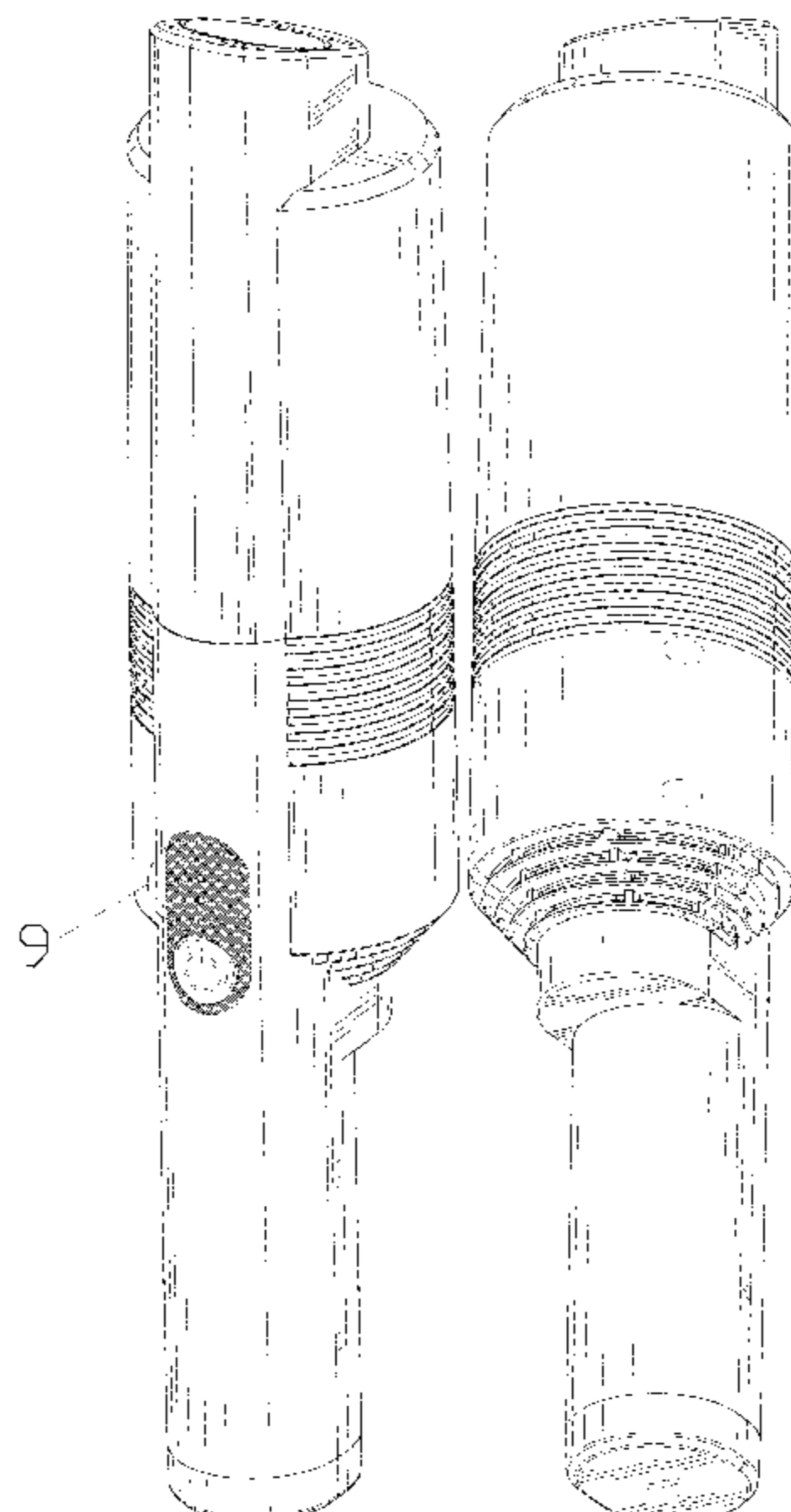
(57) **CLAIM**

The ornamental design for a vacuum cleaner, as shown and described.

**DESCRIPTION**

FIG. 1 is a perspective view of a vacuum cleaner showing my new design;  
FIG. 2 is another perspective view thereof;  
FIG. 3 is a front elevational view thereof;  
FIG. 4 is a rear elevational view thereof;  
FIG. 5 is a left side elevational view thereof;  
FIG. 6 is a right side elevational view thereof;  
FIG. 7 is a top plan view thereof;  
FIG. 8 is a bottom plan view thereof; and,  
FIG. 9 is an enlarged view of portion 9 shown in FIG. 1.  
The dash-dash broken lines in the drawings depict portions of the vacuum cleaner that form no part of the claimed design. The dot-dash broken lines represent boundaries of the enlarged portion and form no part of the claimed design.

**1 Claim, 9 Drawing Sheets**



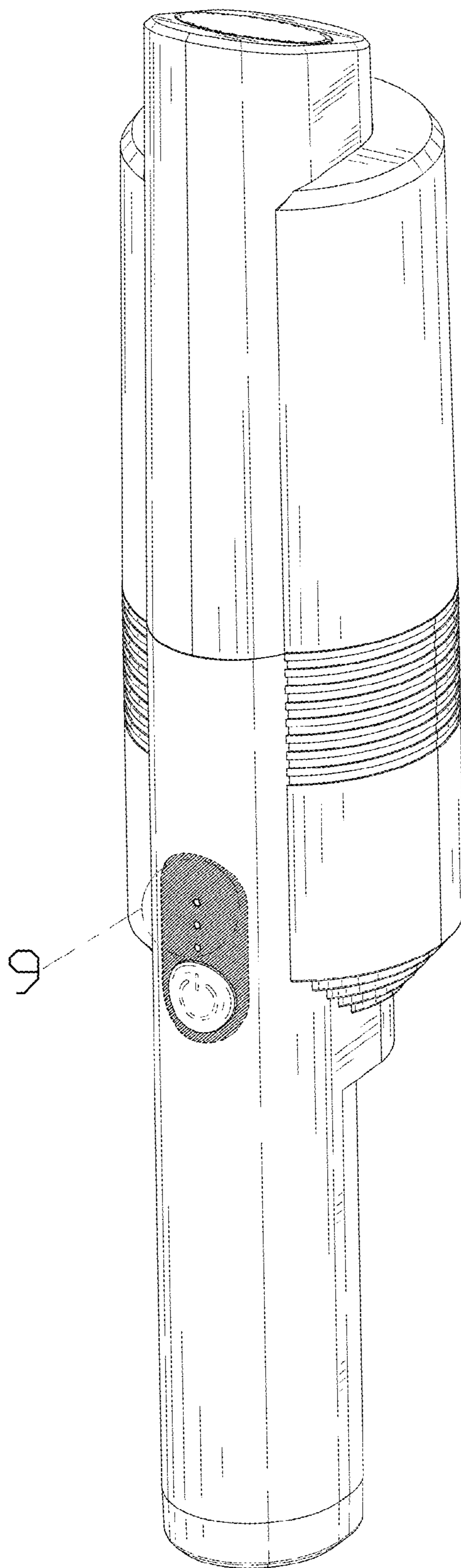


FIG. 1

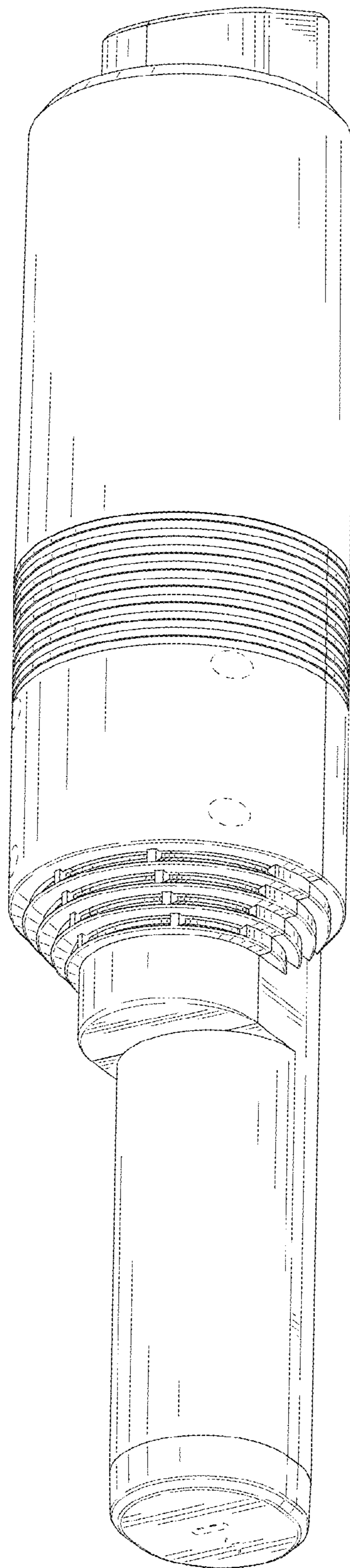


FIG. 2

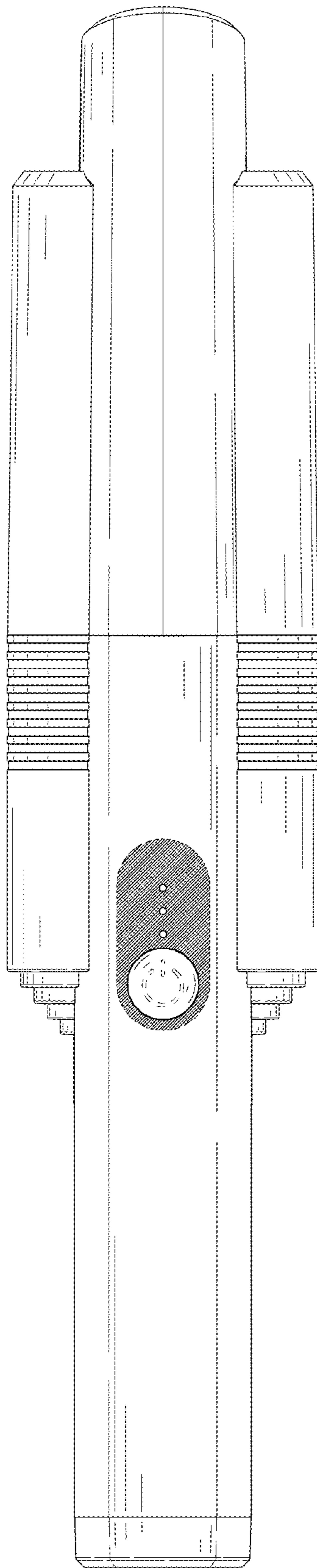


FIG. 3

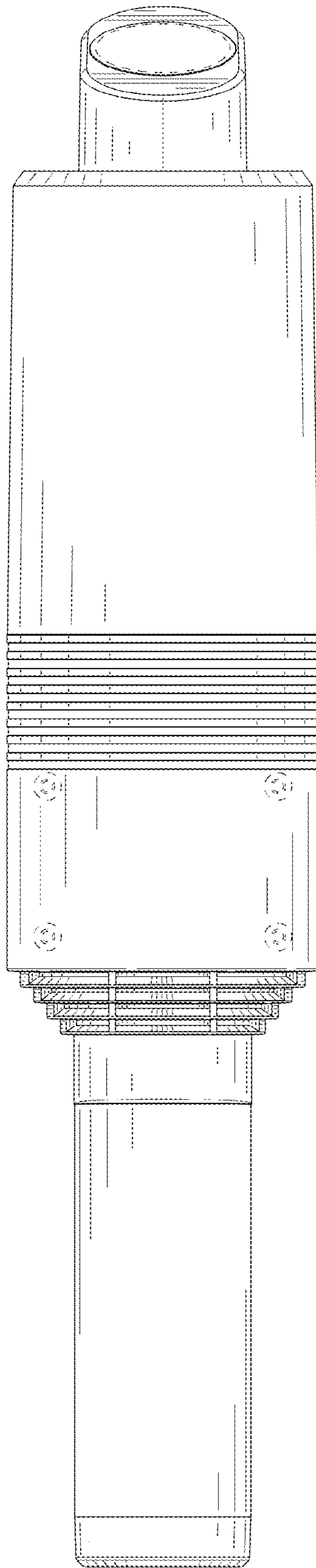


FIG. 4

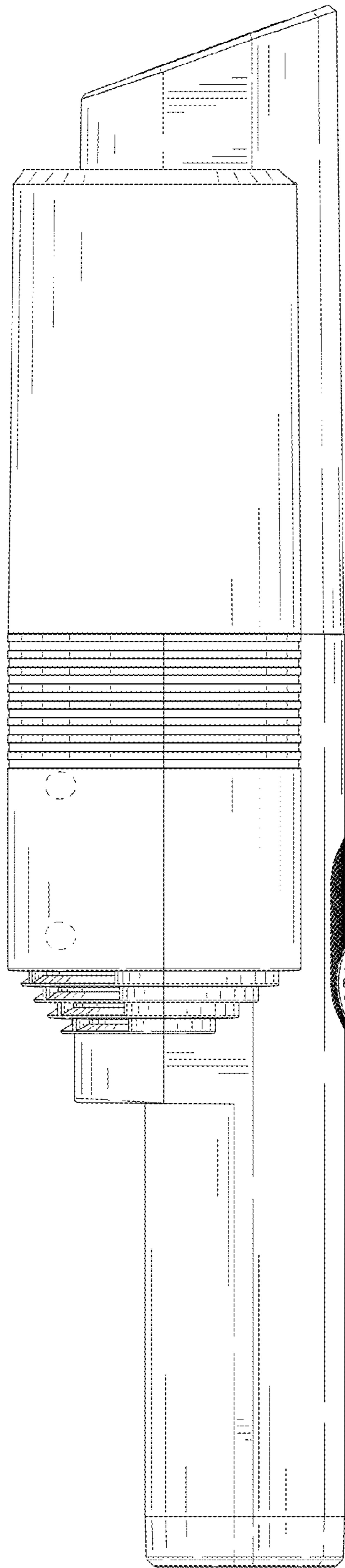


FIG. 5

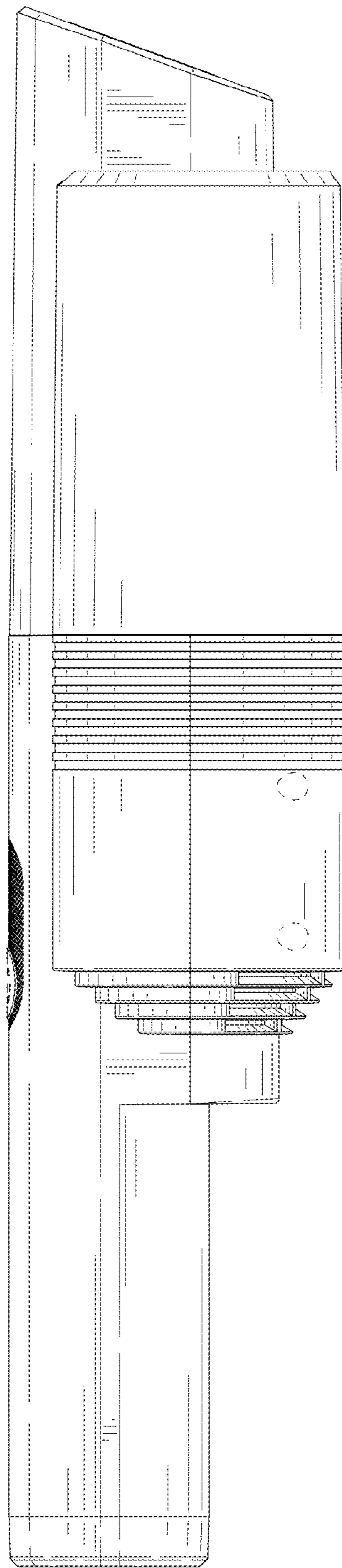


FIG. 6

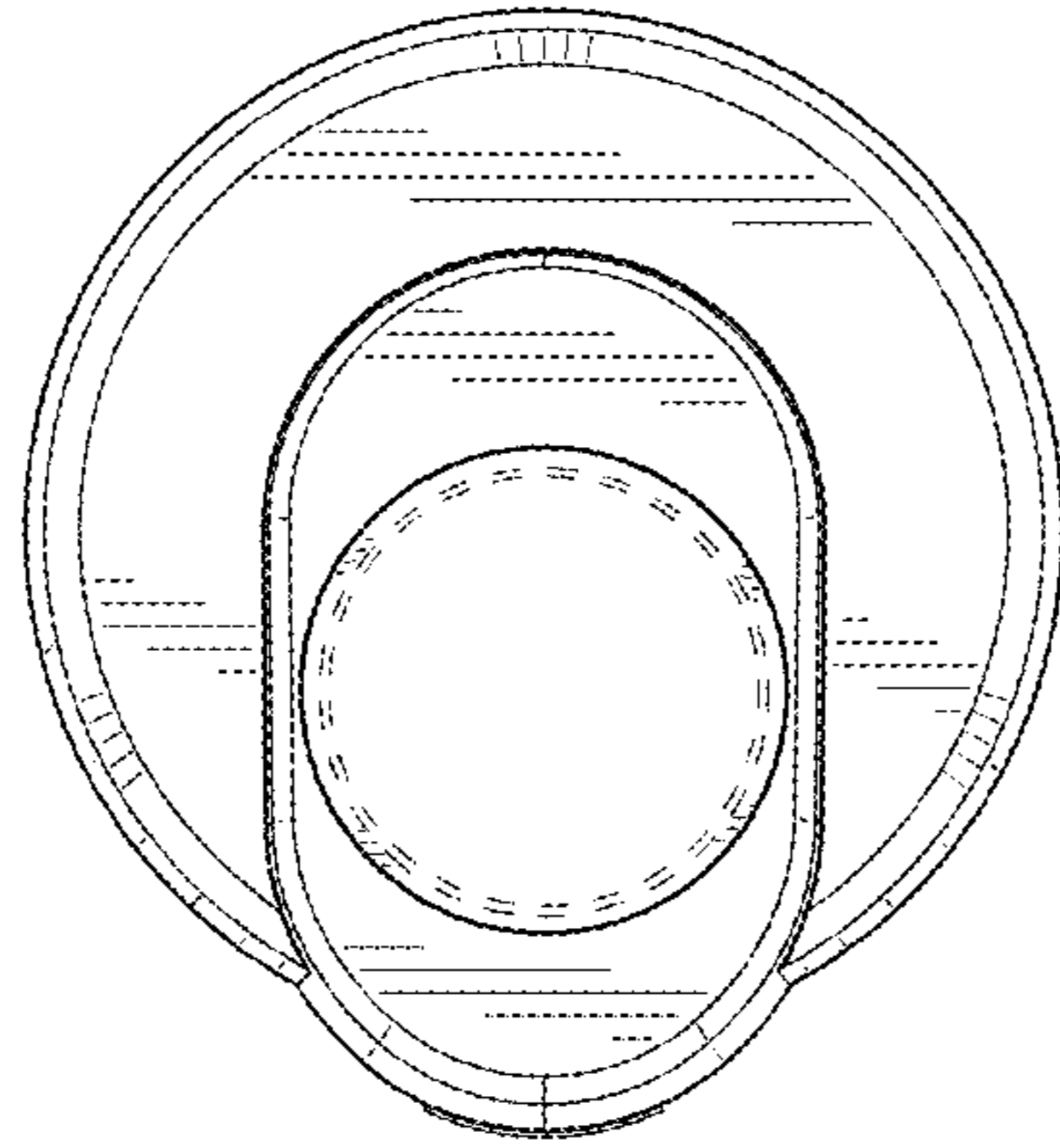


FIG. 7



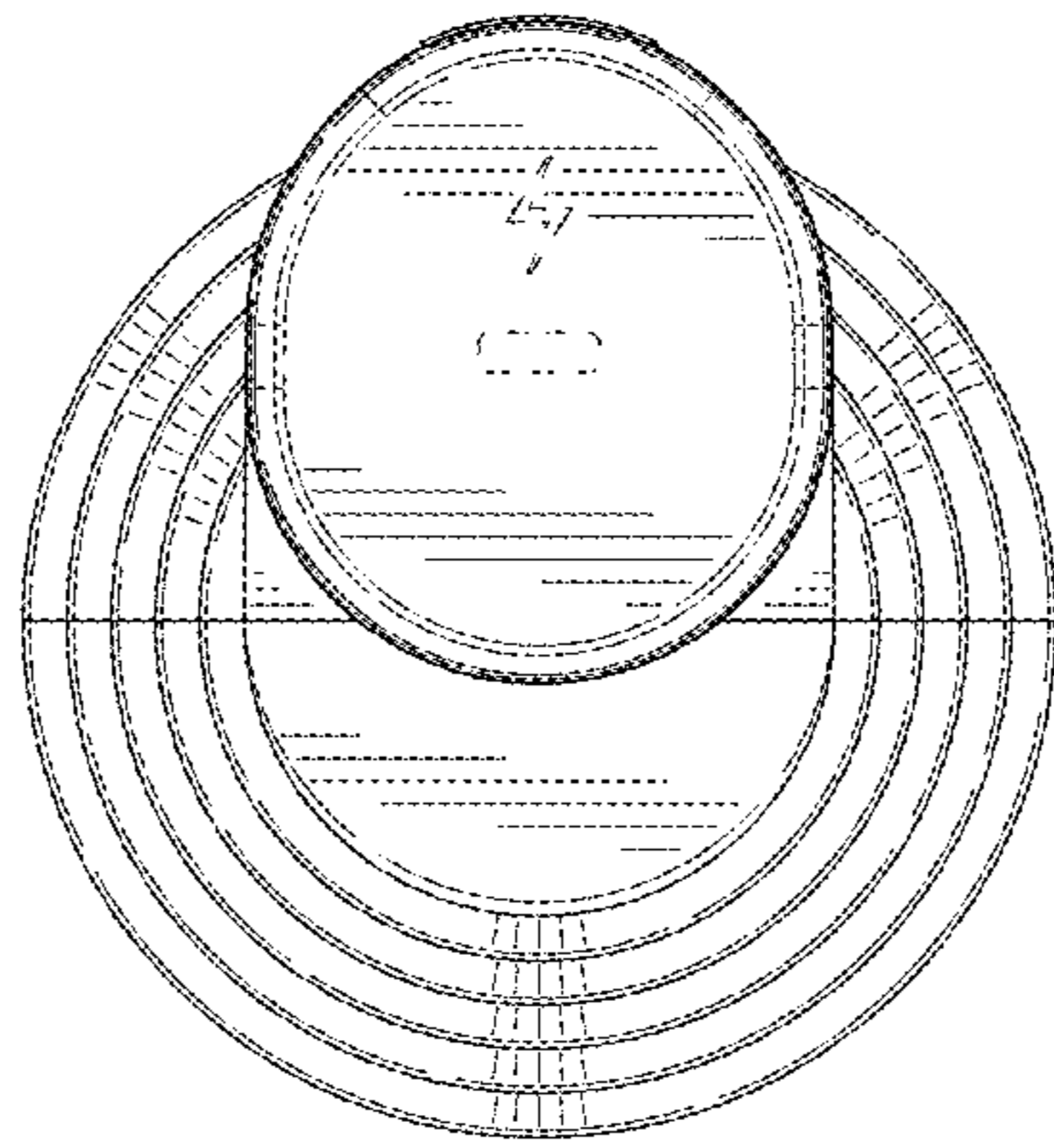


FIG. 8

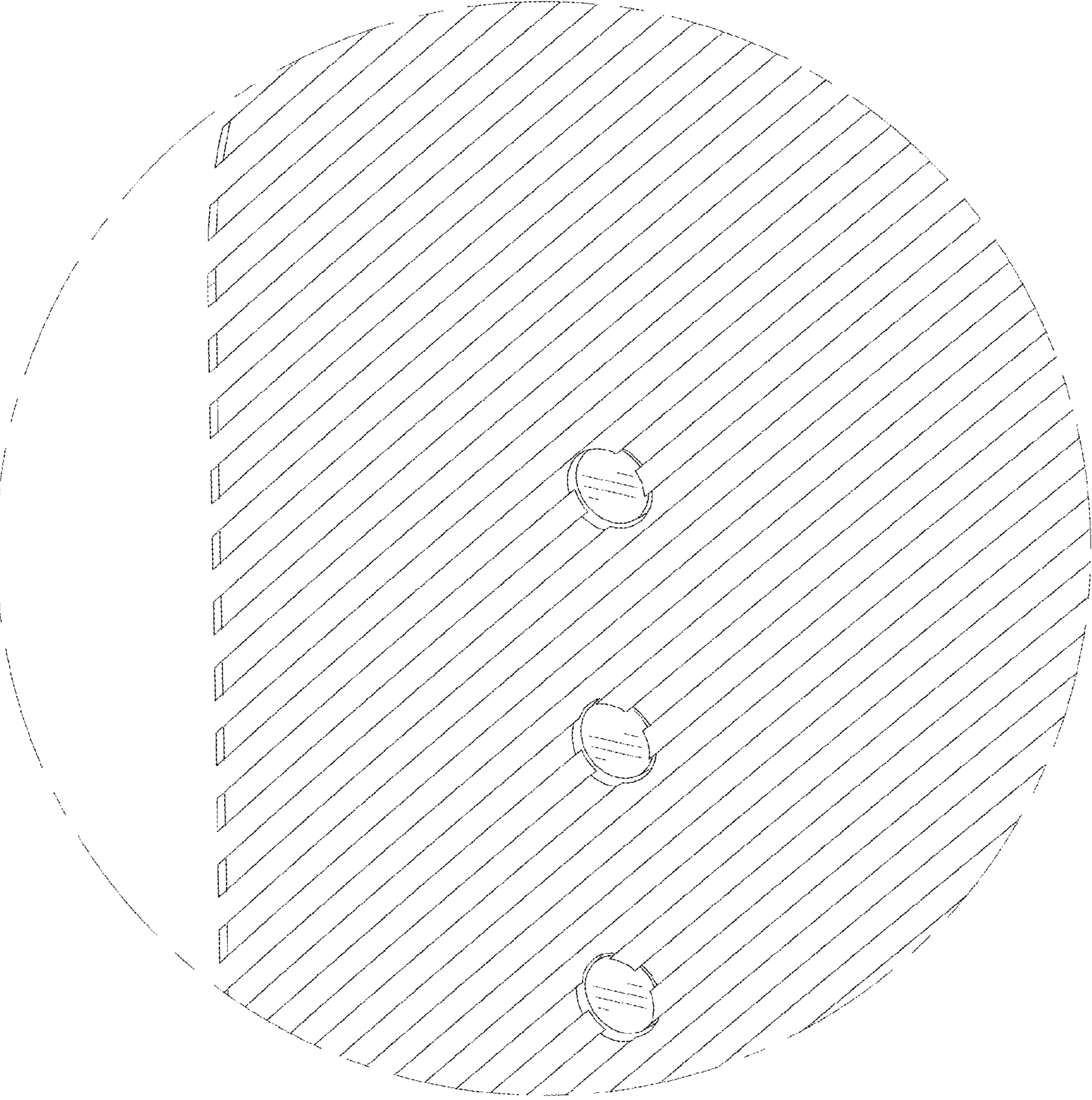


FIG. 9