



US00D965237S

(12) **United States Design Patent** (10) **Patent No.:** **US D965,237 S**
Luo (45) **Date of Patent:** **** *Sep. 27, 2022**

(54) **DOG TIE OUT STAKE**
(71) Applicant: **Yifeng Luo**, Guangzhou (CN)
(72) Inventor: **Yifeng Luo**, Guangzhou (CN)
(*) Notice: This patent is subject to a terminal disclaimer.
(**) Term: **15 Years**
(21) Appl. No.: **29/743,152**
(22) Filed: **Jul. 20, 2020**
(51) **LOC (13) Cl.** **30-09**
(52) **U.S. Cl.**
USPC **D30/154**
(58) **Field of Classification Search**
USPC D30/144, 151, 153, 154, 199; D21/682,
D21/684, 732, 777, 840; D8/44, 356,
D8/358; D3/215
CPC A01K 1/04
See application file for complete search history.

D812,318 S * 3/2018 Bowser D30/154
D904,697 S * 12/2020 Jammal D30/154
D930,447 S * 9/2021 Labarre D30/154
2006/0113117 A1* 6/2006 Tuller E21B 10/44
175/323

OTHER PUBLICATIONS

“Highland Farms: Select 360deg Swivel Tie Out Stake”. Found online Feb. 25, 2022 at amazon.com. Reference dated May 9, 2020. Retrieved from <https://www.amazon.com/dp/B088D9YHQ4/>; “Justia: Highland Farms Trademark”: <https://trademarks.justia.com/870/46/highland-farms-87046240.html>.
“Pestairs: 360deg Swivel Dog Tie Out Stake”. Found online Feb. 25, 2022 at amazon.com. Reference dated Feb. 16, 2020. Retrieved from <https://www.amazon.com/Pestairs-360%C2%B0-Swivel-Stake-Anchor/dp/B0818N43TY/>.

(Continued)

Primary Examiner — Kendra Leslie Hamilton
(74) *Attorney, Agent, or Firm* — Rumit Ranjit Kanakia

(57) **CLAIM**

The ornamental design for a dog tie out stake, as shown and described.

(56) **References Cited**

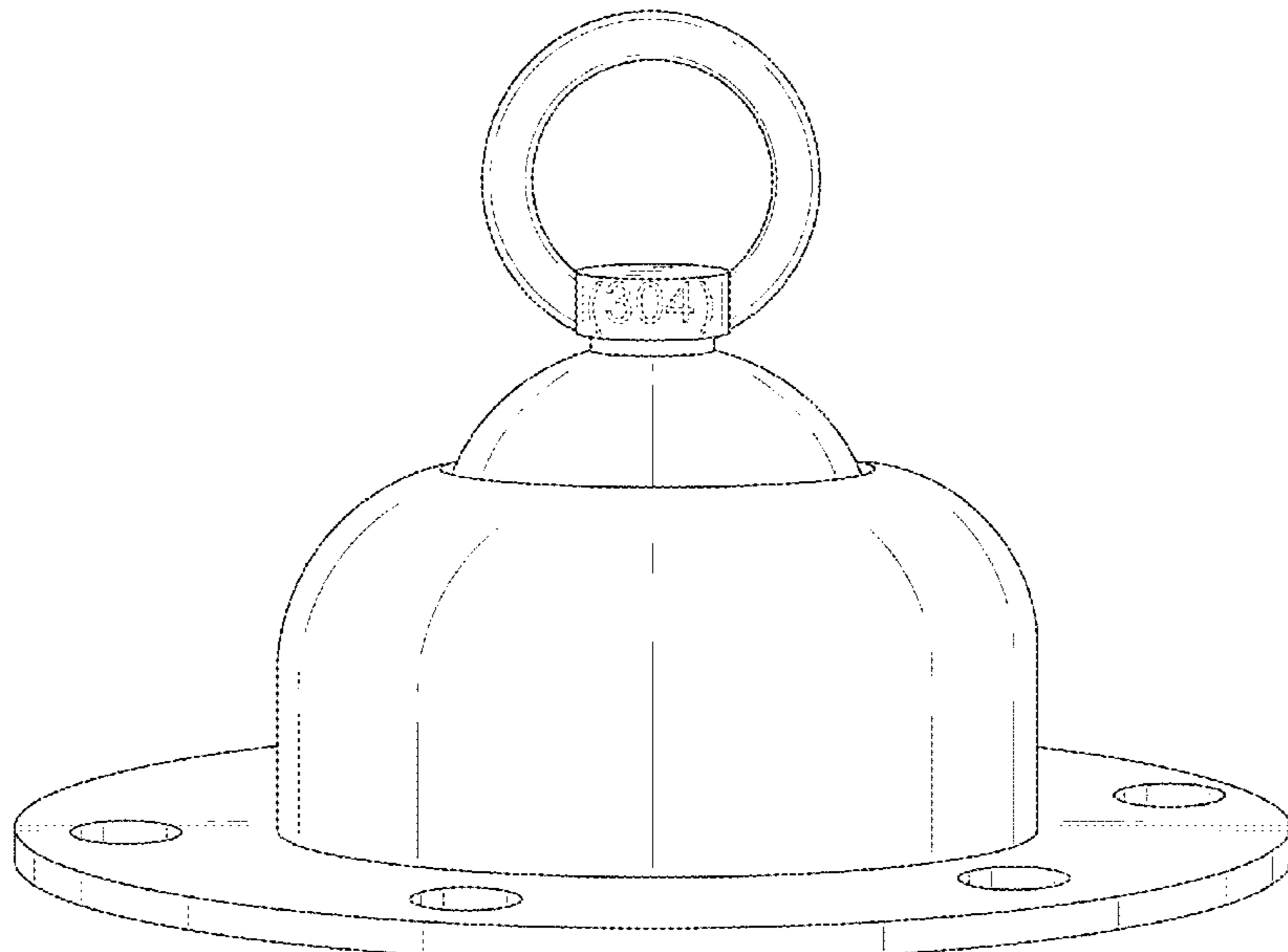
U.S. PATENT DOCUMENTS

2,087,176 A * 7/1937 Webb A01K 1/04
119/787
D256,553 S * 8/1980 Fayle D8/387
D351,692 S * 10/1994 Cossey D30/154
D363,616 S * 10/1995 Allen D3/10
5,785,007 A * 7/1998 Sauber A01K 1/04
119/788
5,870,974 A * 2/1999 Johnson A01K 1/04
119/786
5,927,677 A * 7/1999 Speece E04H 12/2215
52/165
D617,060 S 6/2010 Akrey
D632,442 S * 2/2011 Beck D30/154
D679,457 S * 4/2013 Chance D30/154
D721,860 S 1/2015 Parks

DESCRIPTION

FIG. 1 is a perspective view of a dog tie out stake showing my new design;
FIG. 2 is a front view thereof;
FIG. 3 is a back view thereof;
FIG. 4 is a right-side view thereof;
FIG. 5 is a left-side view thereof;
FIG. 6 is a top view thereof; and,
FIG. 7 is a bottom view thereof.
The broken lines in the drawings depict portions of the dog tie out stake that form no part of the claimed design.

1 Claim, 7 Drawing Sheets



(56)

References Cited

OTHER PUBLICATIONS

“Beewarm: Swivel 360deg Dog Tie Out Stake”. Found online Feb. 25, 2022 at amazon.com. Reference dated Jul. 1, 2020. Retrieved from <https://www.amazon.com/Beewarm-Outdoor-Tethers-Outdoors-Retractable/dp/B08C4ZMJ2K?th=1>.*

“Earth Anchor: Penetrator Aluminum Screw”. Found online Feb. 25, 2022 at amazon.com. Reference dated Mar. 1, 2016. Retrieved from <https://www.amazon.com/Penetrator-Aluminum-Screw-Anchor-Holds-500lbs/dp/B01BJXJE2G/>*
<https://www.amazon.com/dp/B088D9YHQ4#customerReviews>, May 19, 2020.

* cited by examiner

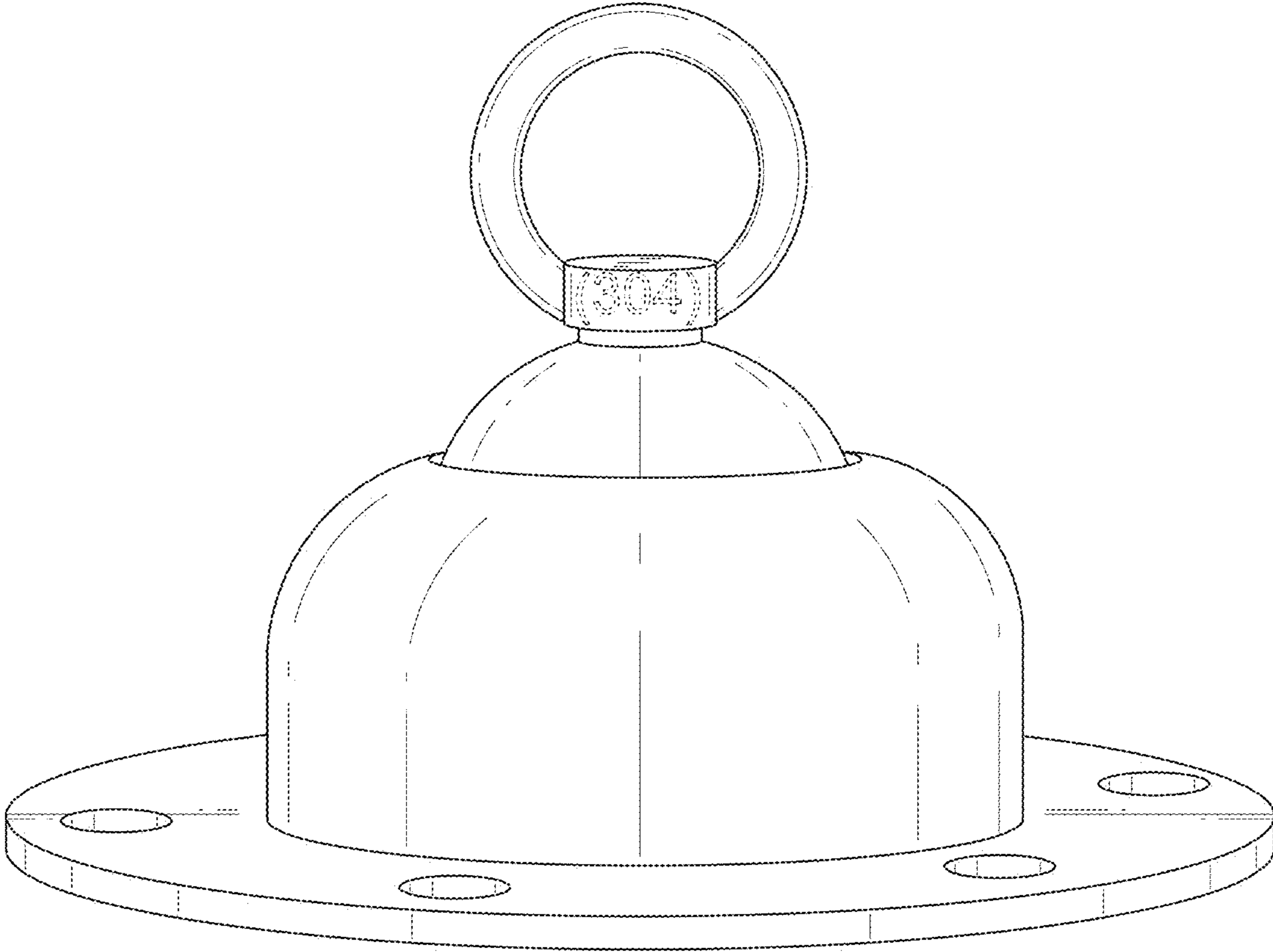


FIG. 1

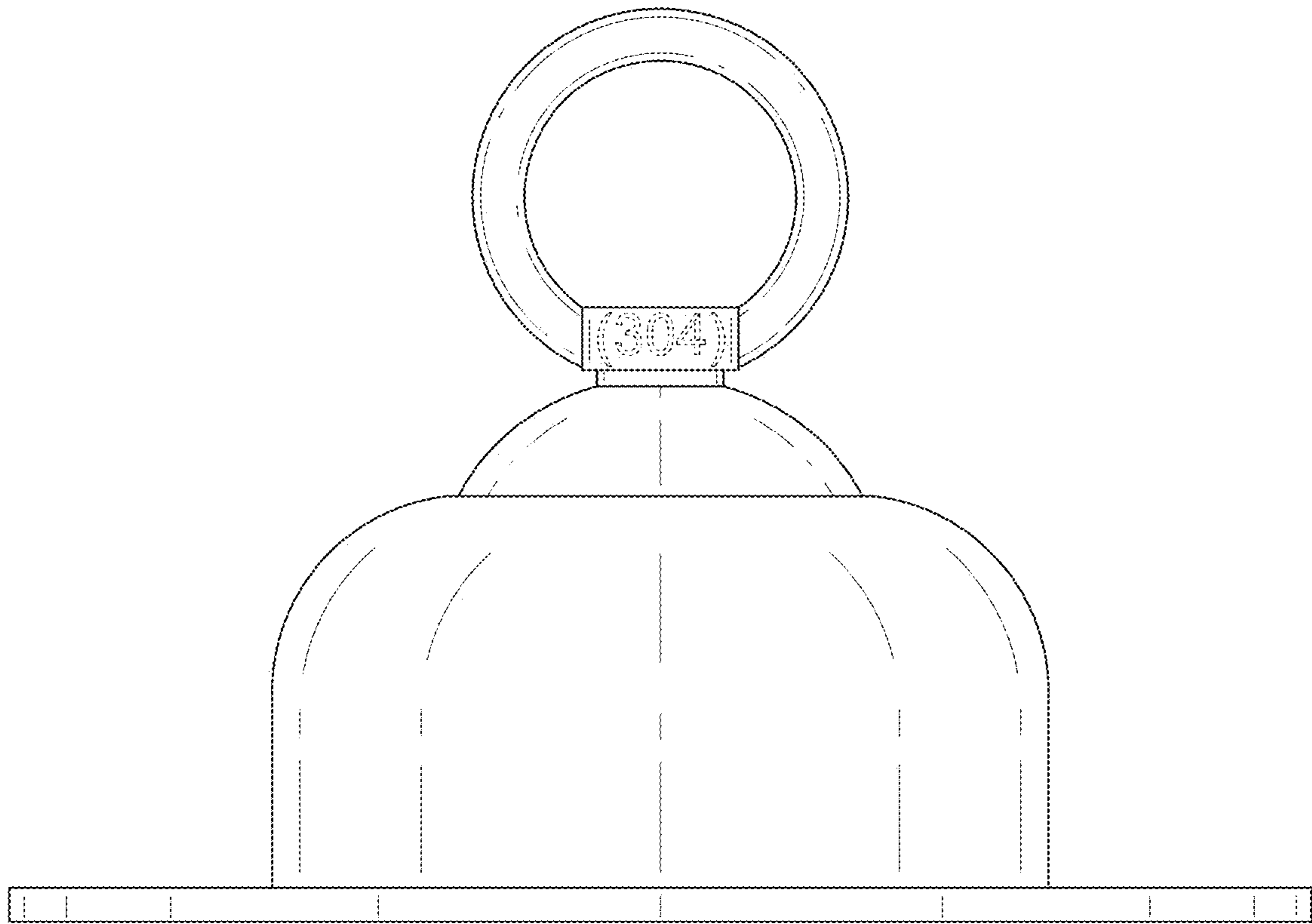


FIG. 2

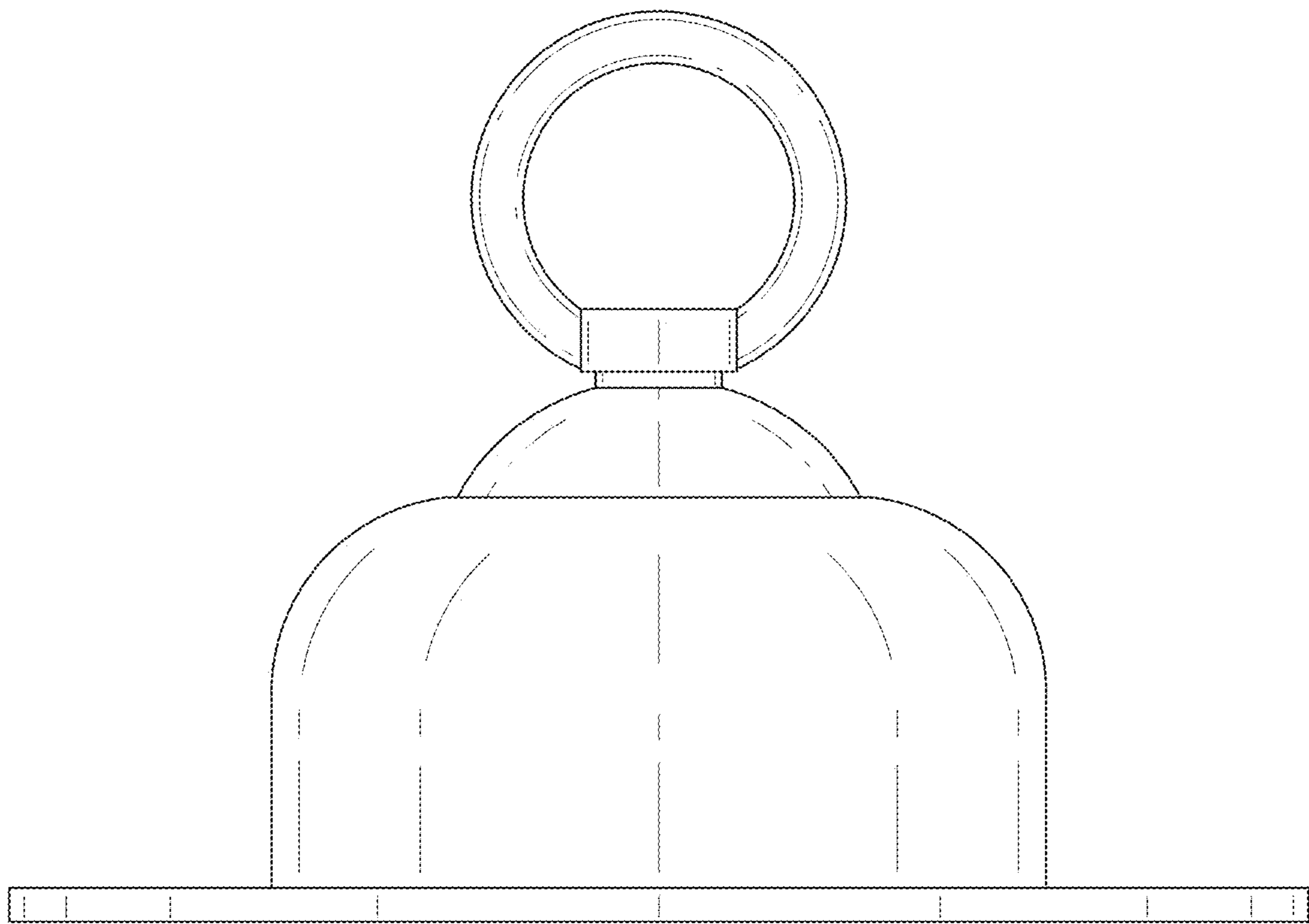


FIG. 3

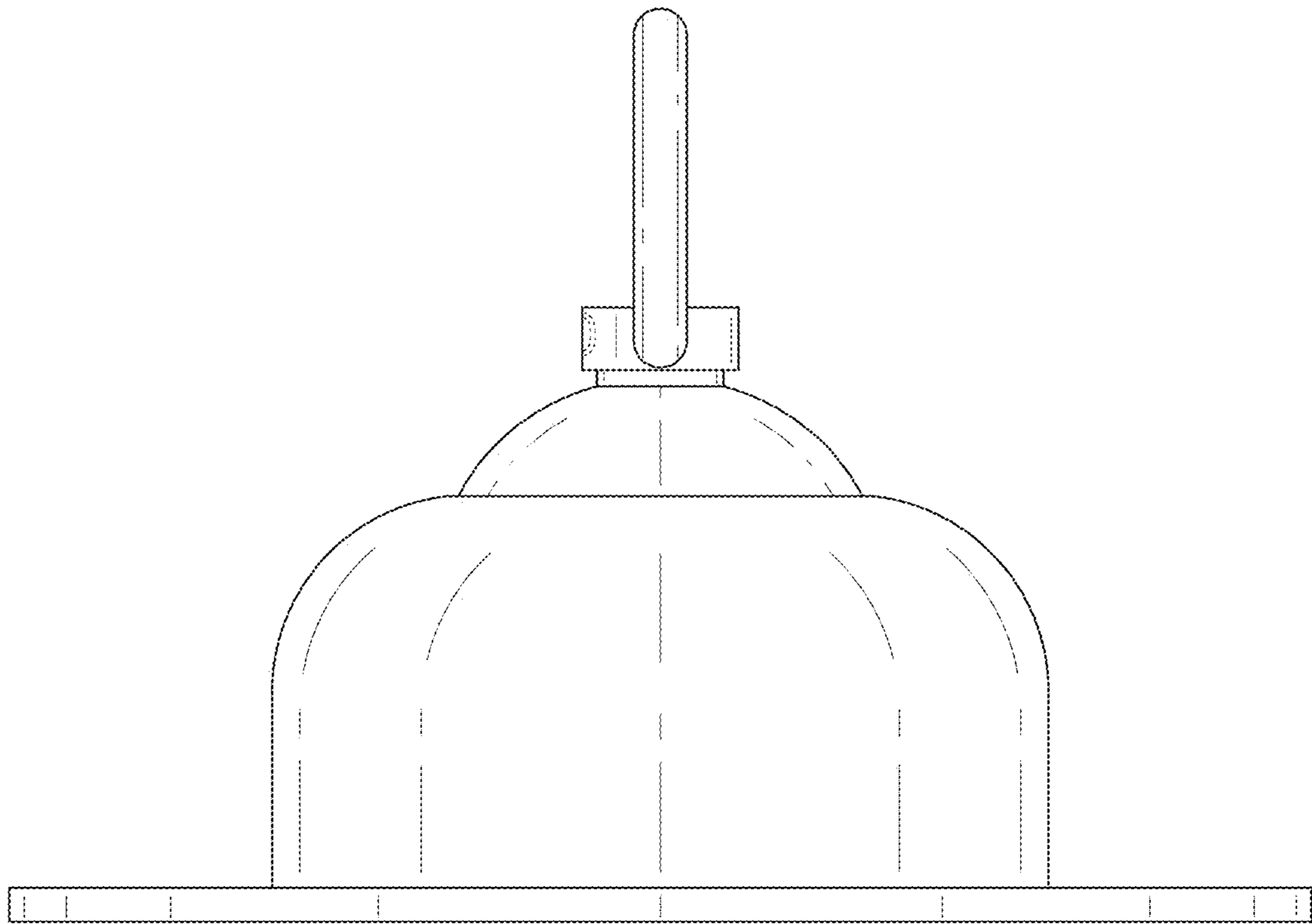


FIG. 4

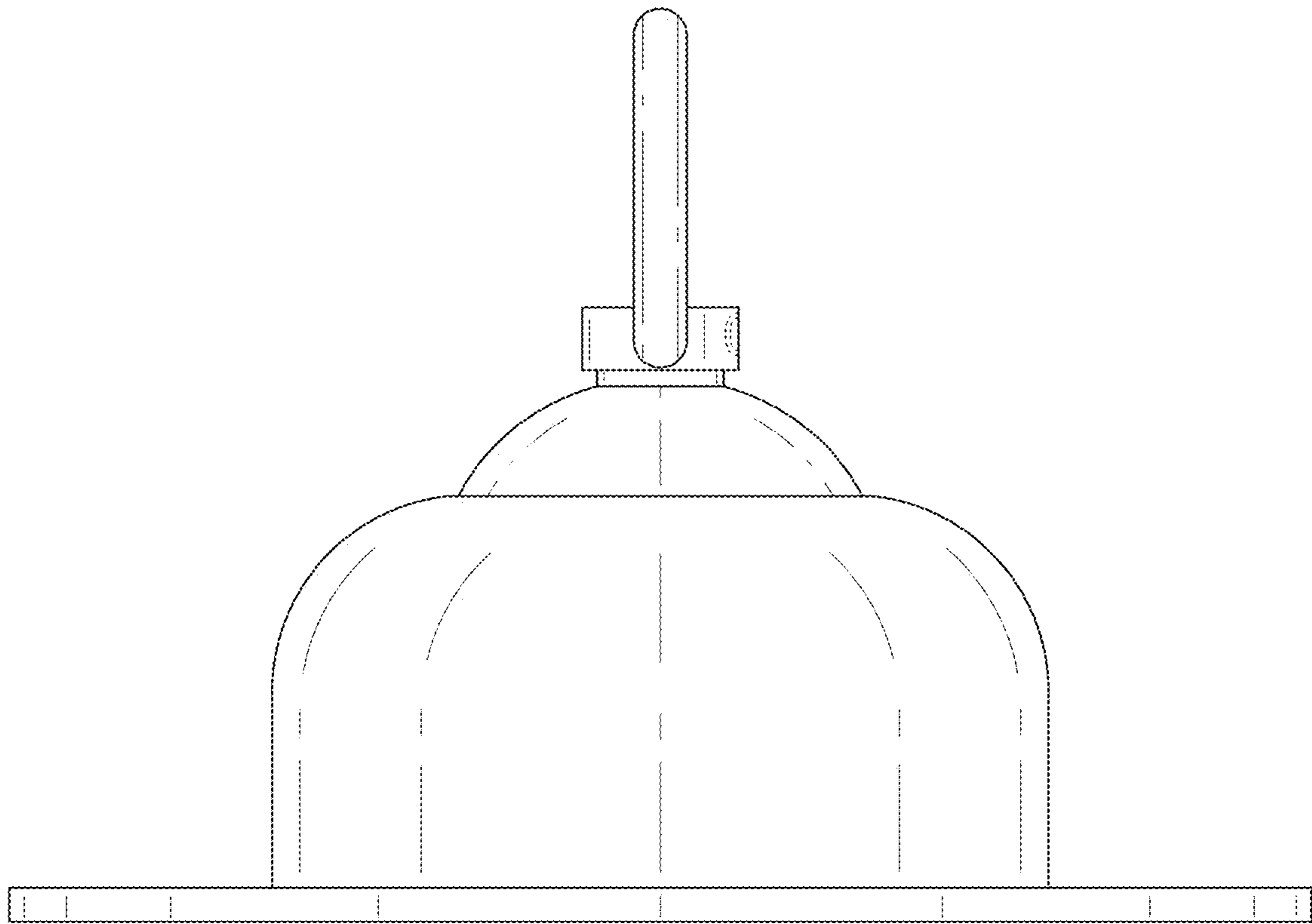


FIG. 5

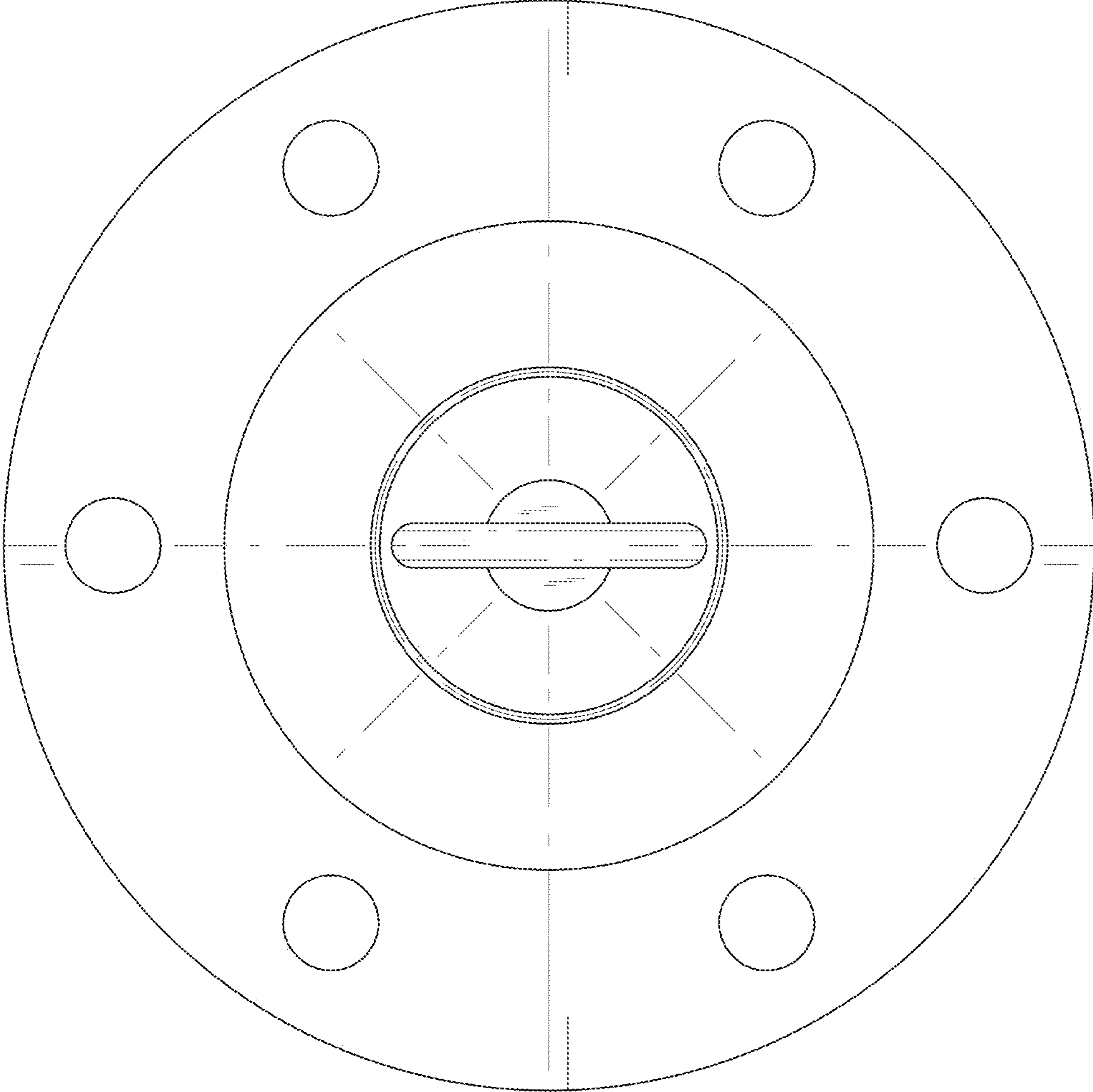


FIG. 6

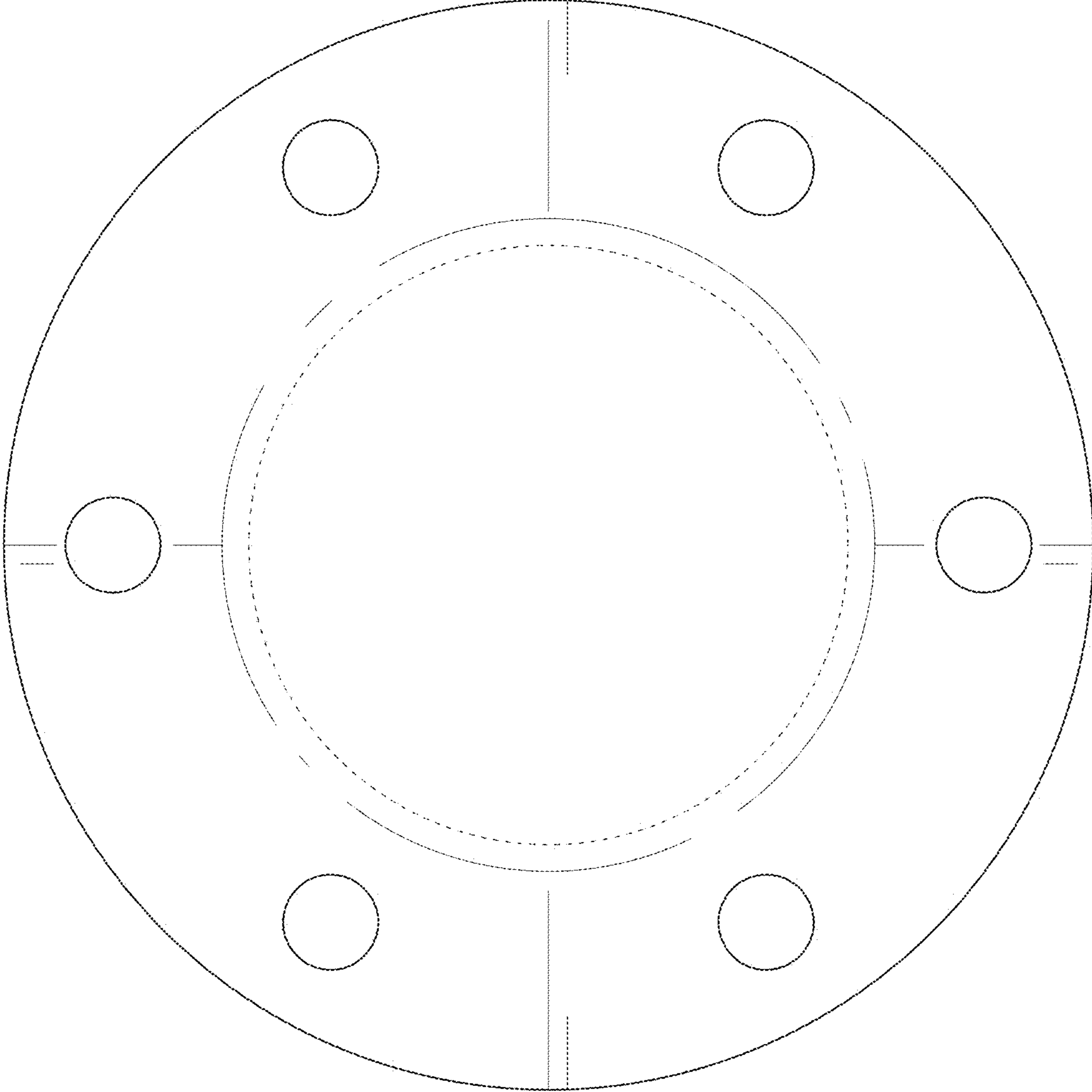


FIG. 7