



US00D965236S

(12) **United States Design Patent** (10) **Patent No.:** **US D965,236 S**  
**Owens** (45) **Date of Patent:** **\*\* Sep. 27, 2022**

(54) **SLIP LEASH**

(71) Applicant: **Bubble and Spike, LLC**, Dallas, TX (US)

(72) Inventor: **Aften R. Owens**, Dallas, TX (US)

(73) Assignee: **Bubble and Spike, LLC**, Dallas, TX (US)

(\*\*) Term: **15 Years**

(21) Appl. No.: **29/700,946**

(22) Filed: **Aug. 7, 2019**

(51) **LOC (13) Cl.** ..... **30-04**

(52) **U.S. Cl.**  
USPC ..... **D30/153**

(58) **Field of Classification Search**  
USPC ..... D30/152, 153, 199  
CPC ..... A01K 27/003; A01K 27/00  
See application file for complete search history.

(56) **References Cited**

**U.S. PATENT DOCUMENTS**

3,198,175	A	8/1965	Dean	
3,311,088	A	3/1967	Peterlin	
3,910,234	A	10/1975	Henson	
4,019,463	A *	4/1977	Kitchen	A01K 27/003 119/793
D375,587	S	11/1996	Maglich	
6,845,737	B1	1/2005	Austin	
D609,409	S *	2/2010	Labelson	D30/153
8,327,808	B2	12/2012	Chirico	
D695,976	S *	12/2013	Allen, Jr.	D30/153
D862,007	S *	10/2019	Beck	A01K 27/003 D30/153
D862,804	S *	10/2019	Bitar	D30/153
D874,074	S *	1/2020	Chirico	D30/153
D877,990	S *	3/2020	Lovett	D30/153
D882,883	S *	4/2020	Moore	D30/153
D929,671	S *	8/2021	Kulseth	D30/153
D936,298	S *	11/2021	Lovett	D30/152

(Continued)

**OTHER PUBLICATIONS**

“Facebook—Bubble & Spike.” Found online Jan. 4, 2022 at www.facebook.com. Image dated Feb. 14, 2019. Retrieved from URL: https://www.facebook.com/bubbleandspike/photos/a.438657633227427/582873282139194/?type=3&theater (Year: 2019).\*

(Continued)

*Primary Examiner* — Mary Ann Calabrese

*Assistant Examiner* — Katelin G Kloberg

(74) *Attorney, Agent, or Firm* — Scott Griggs; Griggs Bergen LLP

(57) **CLAIM**

The ornamental design for a slip leash, as shown and described.

**DESCRIPTION**

FIG. 1 is a front perspective view of a slip leash, showing my new design;

FIG. 2 is a partial right side elevation view, with the left side being a mirror image thereof;

FIG. 3 is a cross-section view taken along line 3-3 in FIG. 2;

FIG. 4 is a cross-section view taken along line 4-4 in FIG. 2;

FIG. 5 is a top plan view of the slip leash shown in FIG. 1;

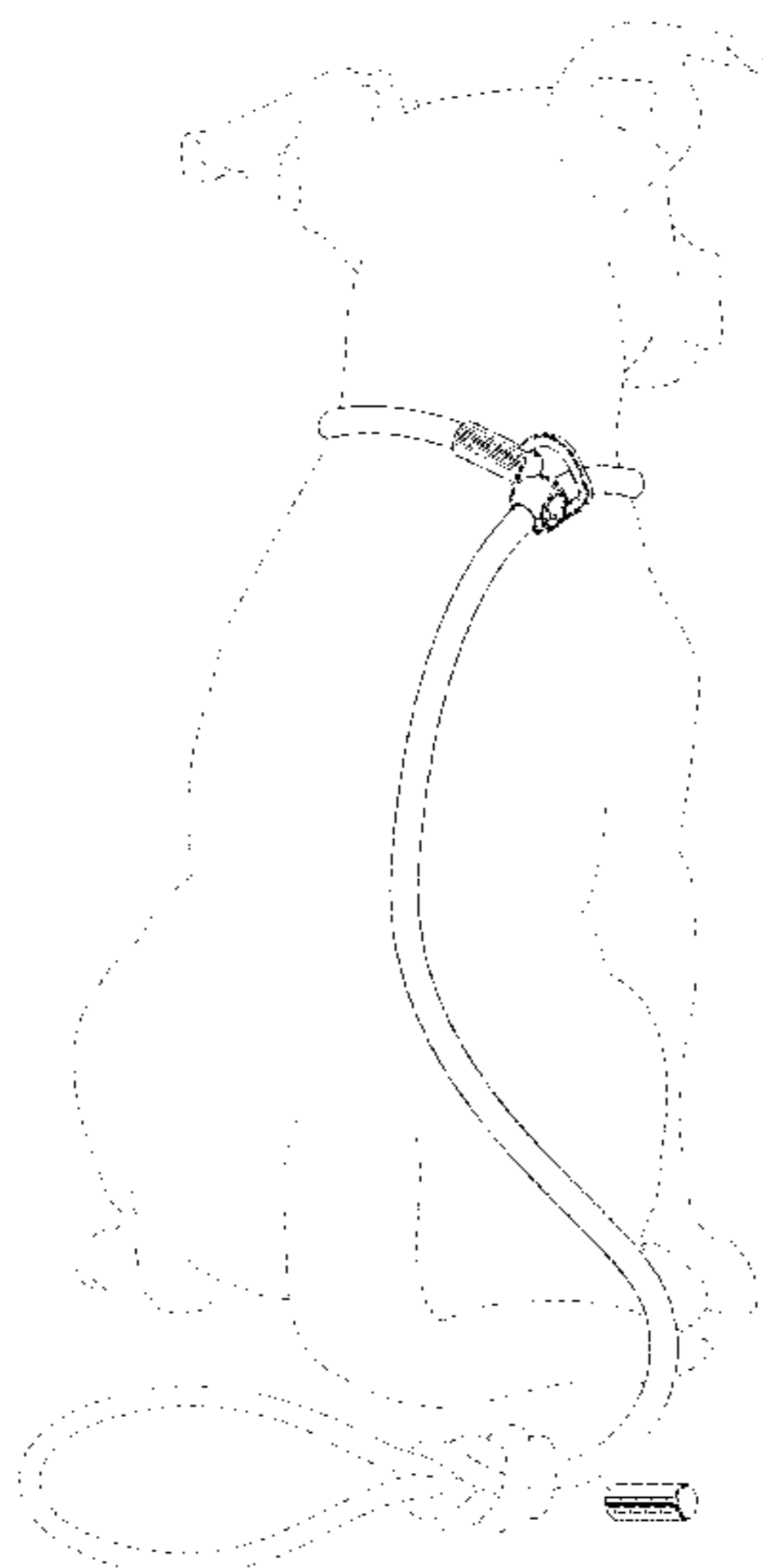
FIG. 6 is a left side elevation view of the slip leash; and,

FIG. 7 is a rear perspective view of the slip leash, shown within an environment of use.

The broken lines represent portions of the slip leash that form no part of the claimed design. In FIG. 7, the broken lines depicting a dog represent environmental subject matter that forms no part of the claimed design.

In FIGS. 1 and 5, the slip leash is shown broken away for ease of disclosure on the drawing sheet.

**1 Claim, 2 Drawing Sheets**



(56)

**References Cited**

## U.S. PATENT DOCUMENTS

2014/0331944 A1 11/2014 Chirico  
2015/0250146 A1 9/2015 Bartol  
2016/0050887 A1 2/2016 Polcyn et al.  
2018/0168129 A1\* 6/2018 Dunbar ..... A01K 27/003  
2019/0320618 A1\* 10/2019 Simons ..... A01K 27/005  
2021/0037789 A1\* 2/2021 Owens ..... A01K 27/003

## OTHER PUBLICATIONS

“Mendota Pet Slip Leash.” Found online Jan. 4, 2022 at [www.amazon.com](http://www.amazon.com). Product first available Oct. 31, 2004. Retrieved from URL: <https://www.amazon.com/Mendota-Slip-Lead-Orange-Dogs/dp/B000LQ4KIQ> (Year: 2004).\*

“Btinesful 7FT Slip Lead Dog Leash.” Found online Jan. 4, 2022 at [www.amazon.com](http://www.amazon.com). Product first available Aug. 27, 2020. Retrieved from URL: <https://www.amazon.com/BTINESFUL-Leash-Strong-Training-Medium/dp/B08PBG341W> (Year: 2020).\*

“iYoShop 6FT Durable Slip Lead Dog Leash.” Found online Jan. 4, 2022 at [www.amazon.com](http://www.amazon.com). Product first available Aug. 7, 2018. Retrieved from URL: <https://www.amazon.com/iYoShop-Extremely-Comfortable-Reflective-Climbing/dp/B07G916DMR> (Year: 2018).\*

“What is a Slip Collar?” Found online Jan. 4, 2022 at [blog.dogids.com](http://blog.dogids.com). Page dated Aug. 30, 2018. Retrieved from URL: <https://blog.dogids.com/what-is-a-slip-collar/> (Year: 2018).\*

“Slip Leads Handmade in USA for Large Dogs.” Found online Jan. 4, 2022 at [www.mydogscool.com](http://www.mydogscool.com). Product reviewed Feb. 1, 2013. Retrieved from URL: <https://mydogscool.com/store/slip-leads/> (Year: 2013).\*

\* cited by examiner

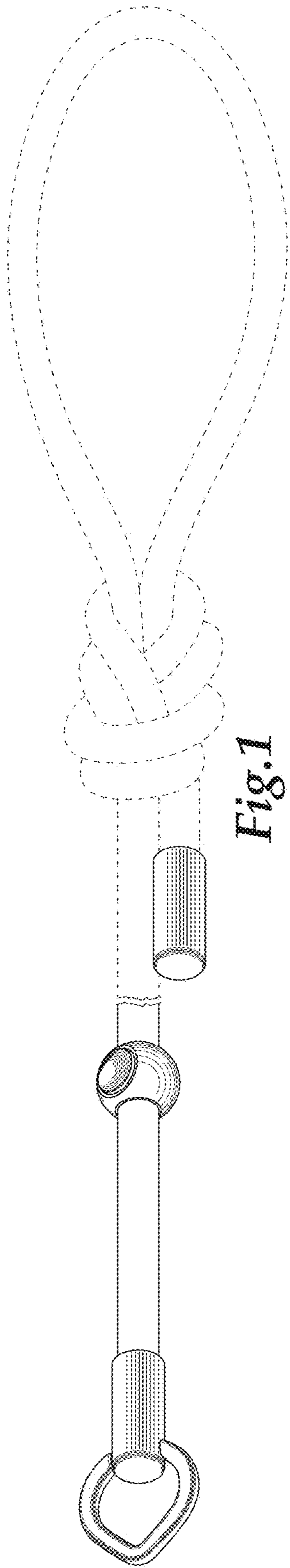


Fig. 1

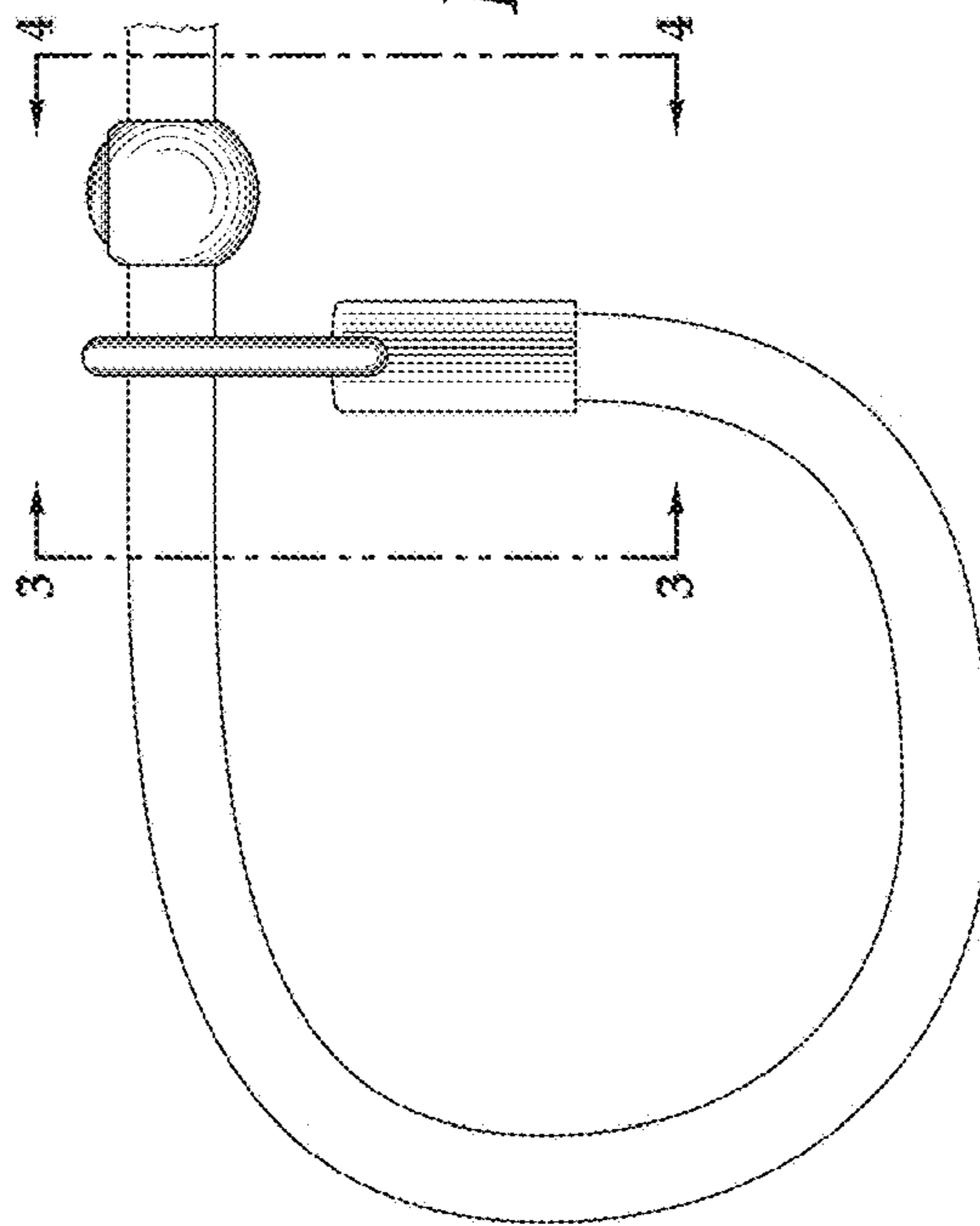


Fig. 2

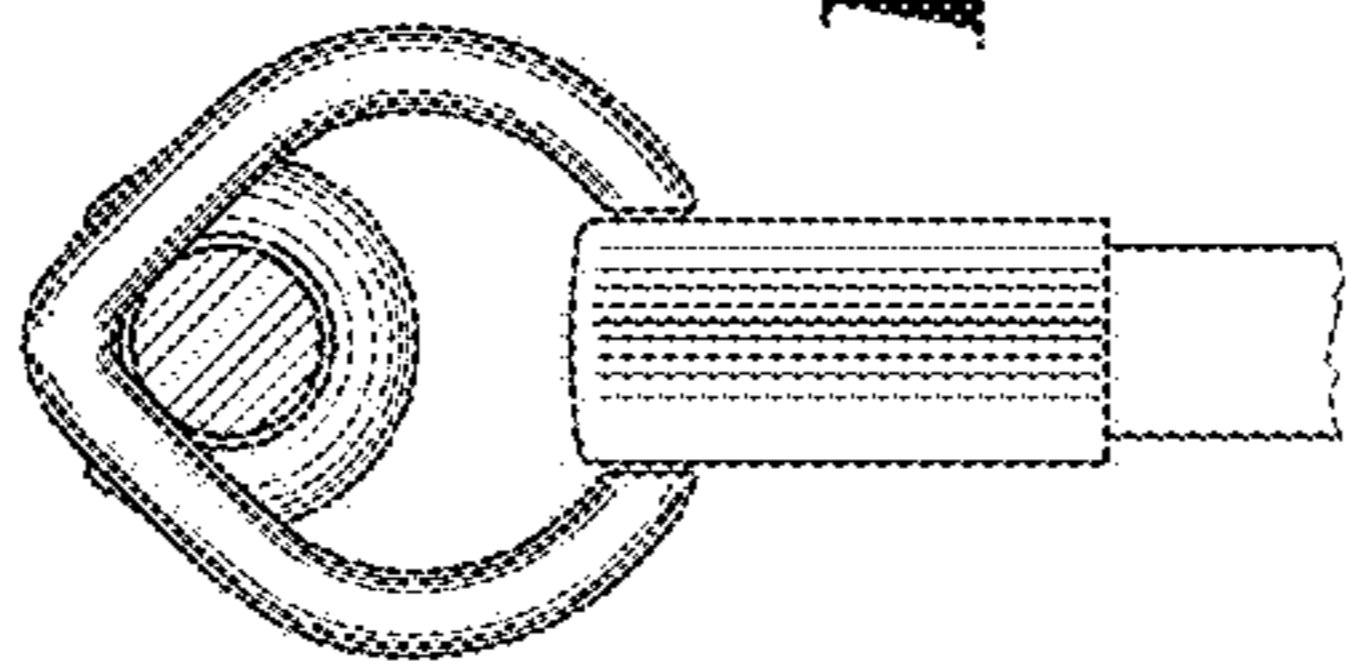


Fig. 3

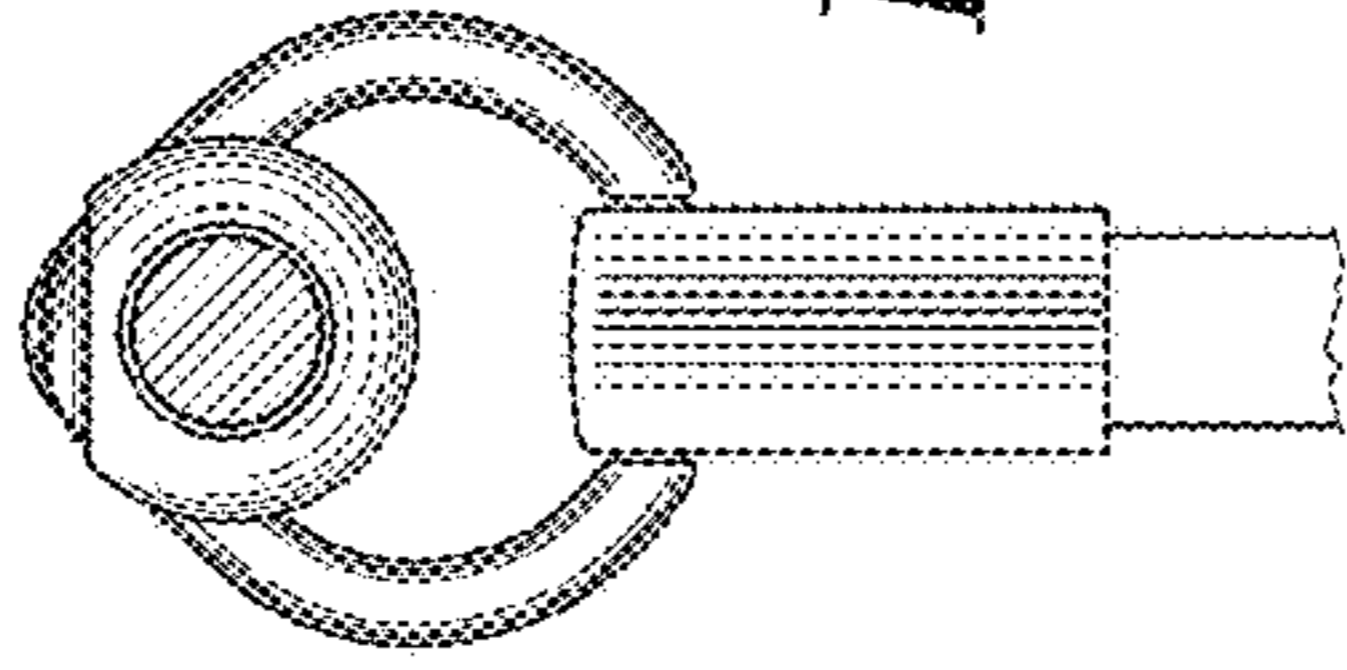


Fig. 4

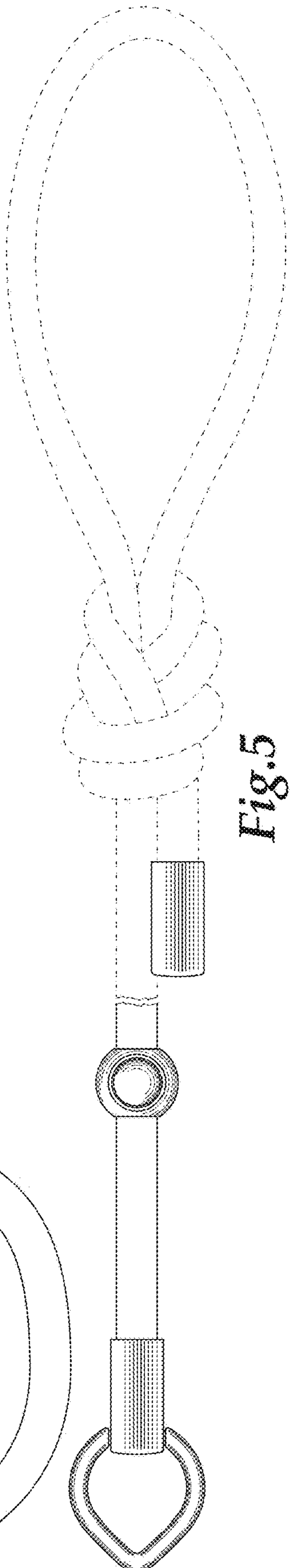
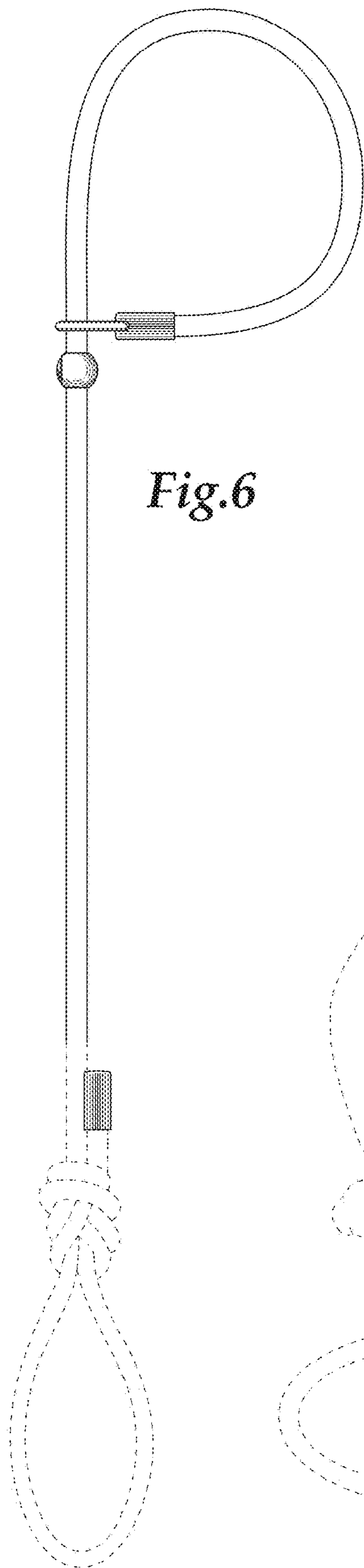
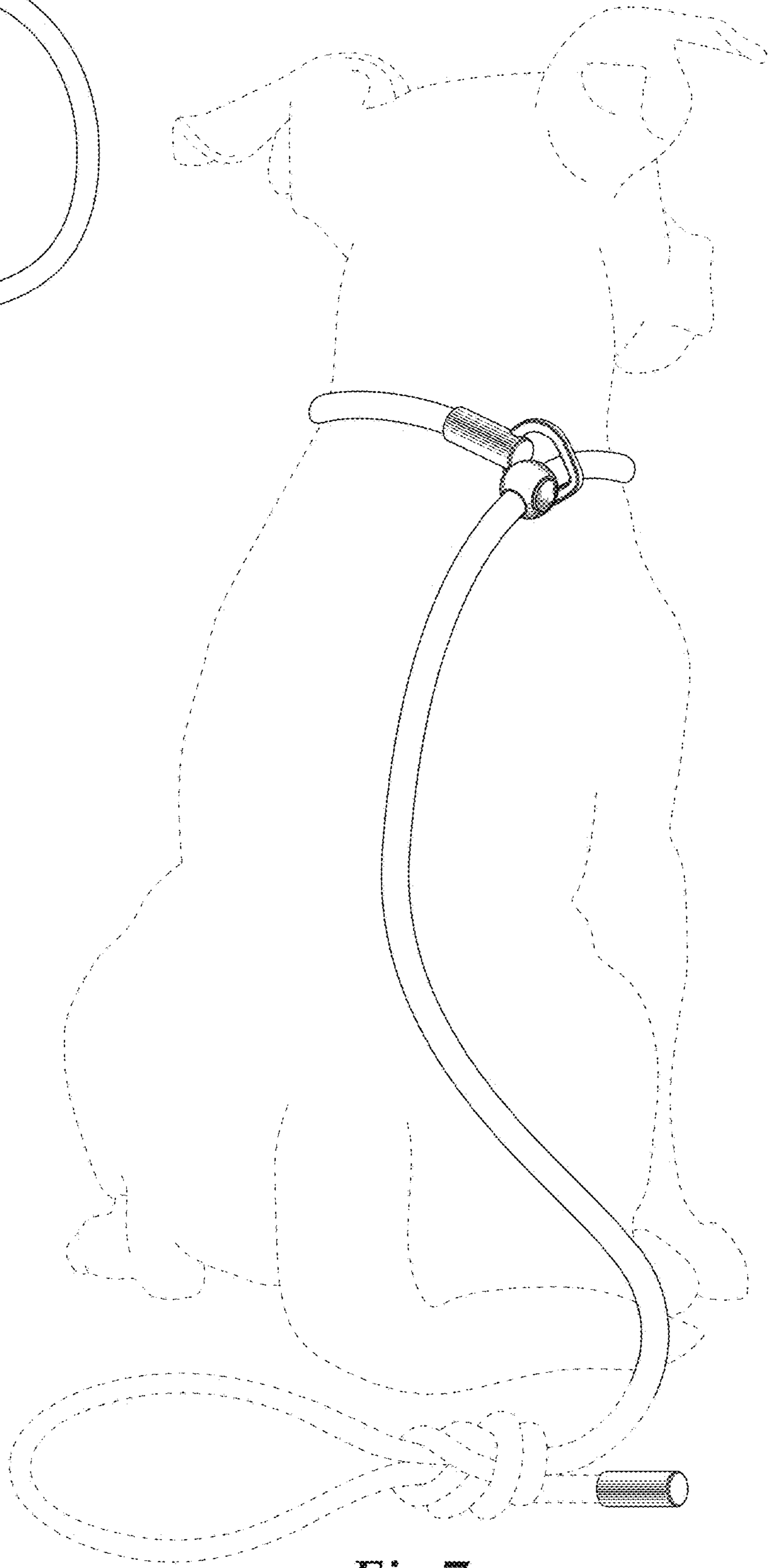


Fig. 5



*Fig.6*



*Fig.7*