



US00D965235S

(12) **United States Design Patent** (10) **Patent No.:** **US D965,235 S**
Jin (45) **Date of Patent:** **** Sep. 27, 2022**

(54) **PET HARNESS**

(71) Applicant: **Qiaoying Jin**, Zhejiang (CN)

(72) Inventor: **Qiaoying Jin**, Zhejiang (CN)

(**) Term: **15 Years**

(21) Appl. No.: **29/823,064**

(22) Filed: **Jan. 13, 2022**

(51) **LOC (13) Cl.** **30-04**

(52) **U.S. Cl.**
USPC **D30/152**

(58) **Field of Classification Search**
USPC D30/136, 137, 144, 145, 151, 152, 153,
D30/154, 155, 199; D29/101.1, 101.2,
D29/101.3, 101.4, 101.5
CPC A01K 27/002; A01K 1/0263; A61D 9/00;
Y10S 119/907
See application file for complete search history.

(56) **References Cited**

U.S. PATENT DOCUMENTS

7,325,516	B2 *	2/2008	Moore	A01K 27/002	119/725
D759,906	S *	6/2016	Landry	D30/151	
D889,755	S *	7/2020	Dusev	D30/152	
D911,631	S *	2/2021	Stouder	D30/152	
D918,493	S	5/2021	Chang			
D919,197	S *	5/2021	Guo	D30/152	
D920,595	S *	5/2021	Dusev	D30/152	
D920,596	S *	5/2021	Guo	D30/152	
D927,093	S *	8/2021	Li	D30/152	
D931,553	S *	9/2021	Yu	D30/152	
D936,299	S *	11/2021	Wu	D30/152	
D936,300	S *	11/2021	Wu	D30/152	
D936,914	S *	11/2021	Deng	D30/152	

D957,752	S *	7/2022	Ohanian	D30/152	
2012/0160184	A1 *	6/2012	Lichvar	A01K 27/002	119/725
2021/0059216	A1 *	3/2021	Guidetti	A01K 27/002	
2022/0095581	A1 *	3/2022	Hoskinson	A01K 1/0263	

OTHER PUBLICATIONS

Dogline Quest No-Pull Dog Harness, dated to Jul. 12, 2019, amazon.com [online]. Retrieved Jul. 16, 2022 from internet <URL:https://www.amazon.com/dp/B07V2P6ZXD/ref=sbl_dpx_pets-dog-harness_B09F69XJCL_0?th=1> (Year: 2019).*

* cited by examiner

Primary Examiner — Andrew T Nemeth
(74) *Attorney, Agent, or Firm* — Che-Yang Chen; Law Office of Michael Chen

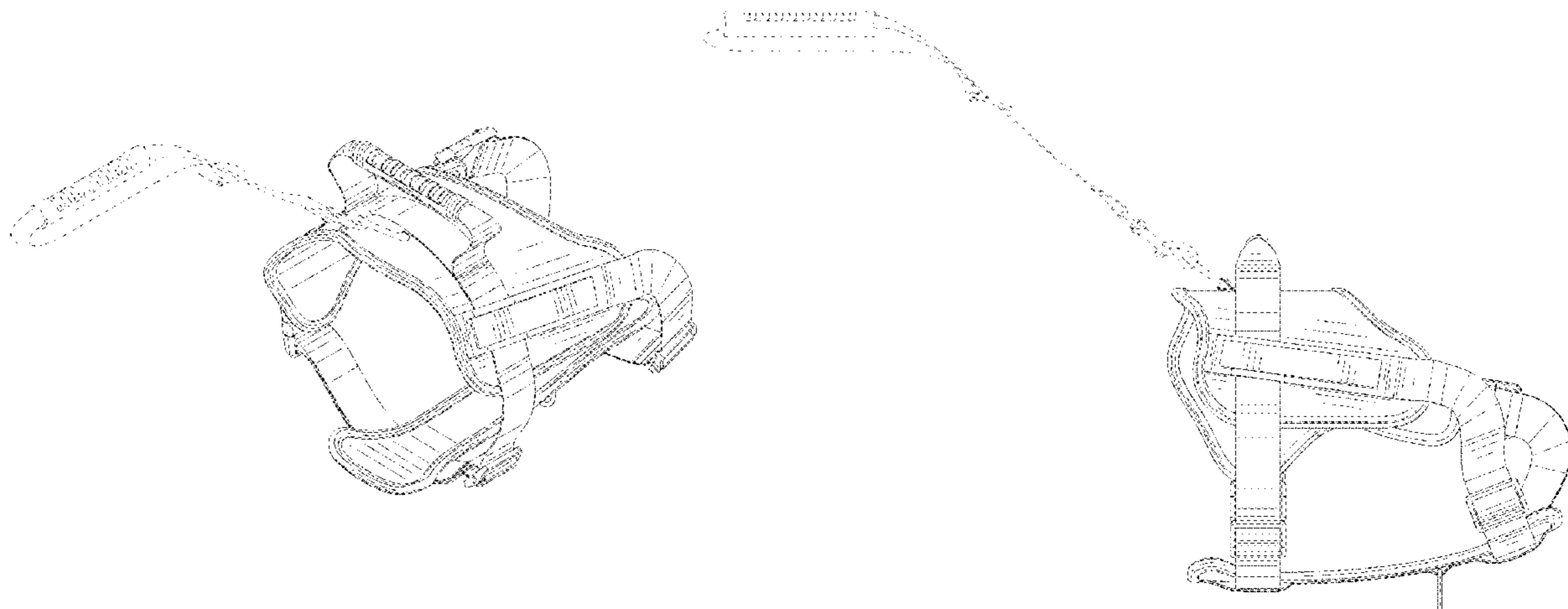
(57) **CLAIM**

The ornamental design for a pet harness, as shown and described.

DESCRIPTION

FIG. 1 is a perspective view of the pet harness showing my new design;
FIG. 2 is a perspective view thereof from another angle;
FIG. 3 is a front elevational view thereof;
FIG. 4 is a rear elevational view thereof;
FIG. 5 is a left side elevational view thereof;
FIG. 6 is a right side elevational view thereof;
FIG. 7 is a top plan view thereof; and,
FIG. 8 is a bottom plan view thereof.
The broken lines shown in the drawings are included for the purpose of illustrating portions of the pet harness that form no part of the claimed design.

1 Claim, 8 Drawing Sheets



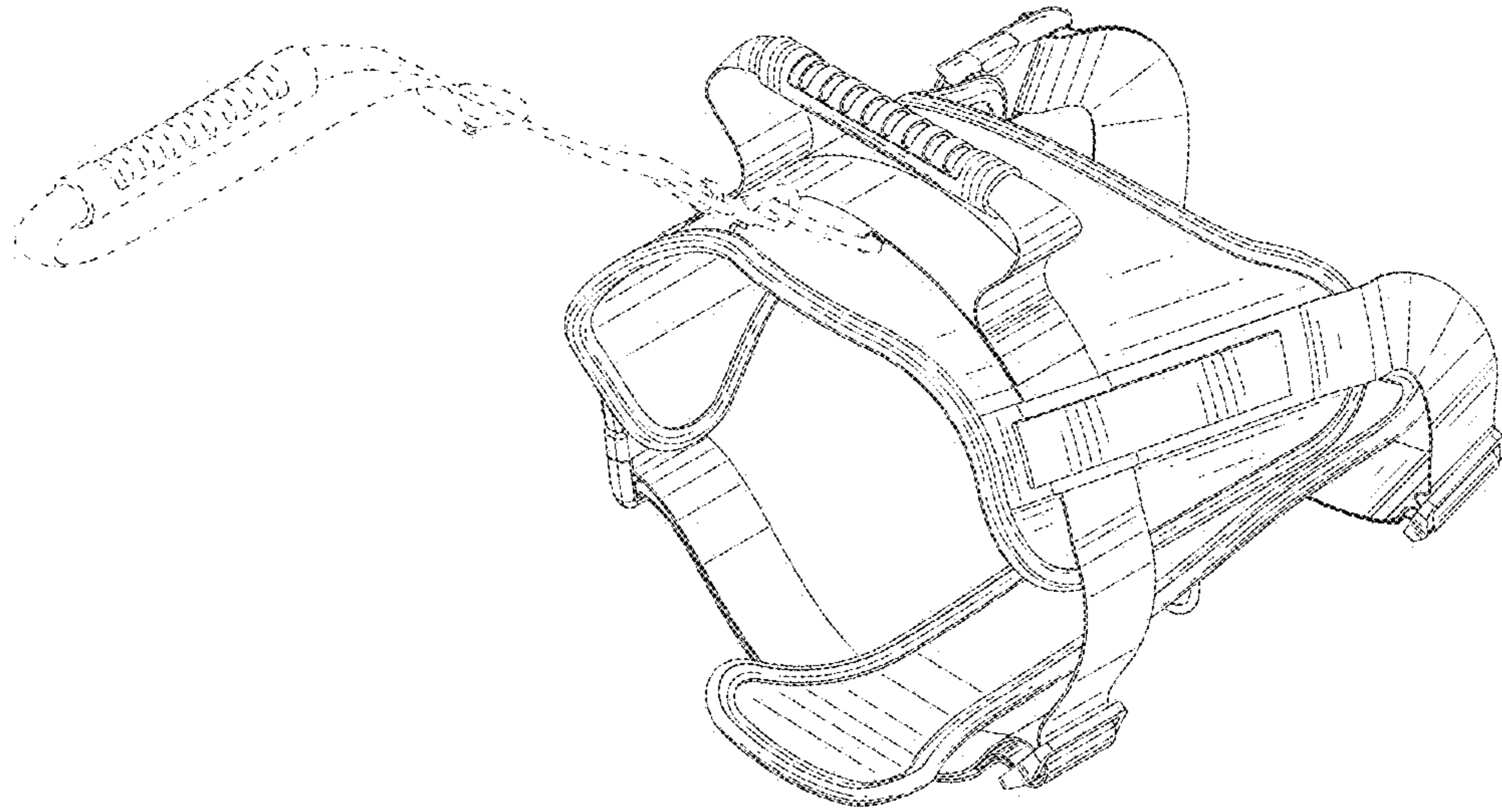


FIG. 1

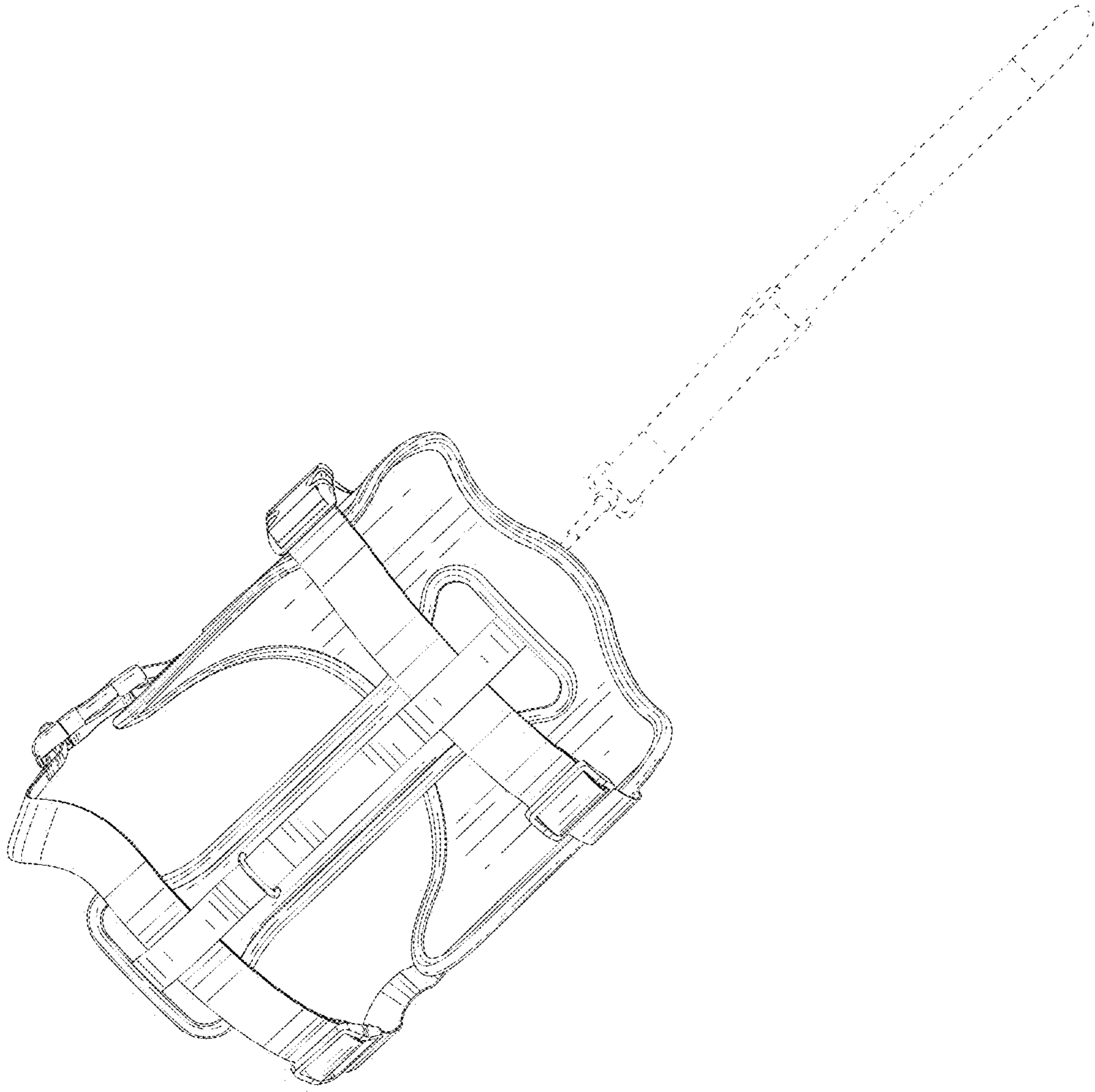


FIG. 2

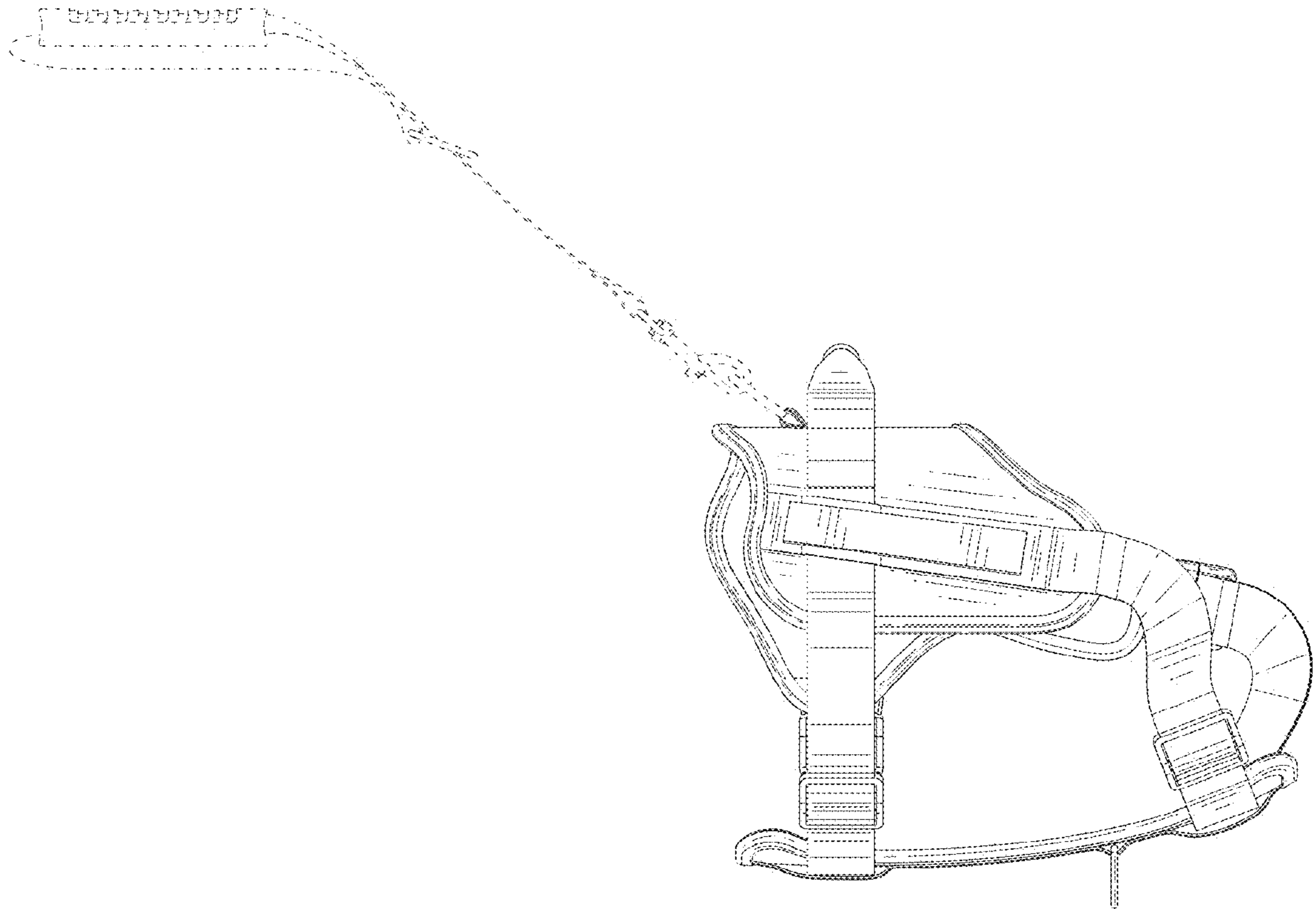


FIG. 3

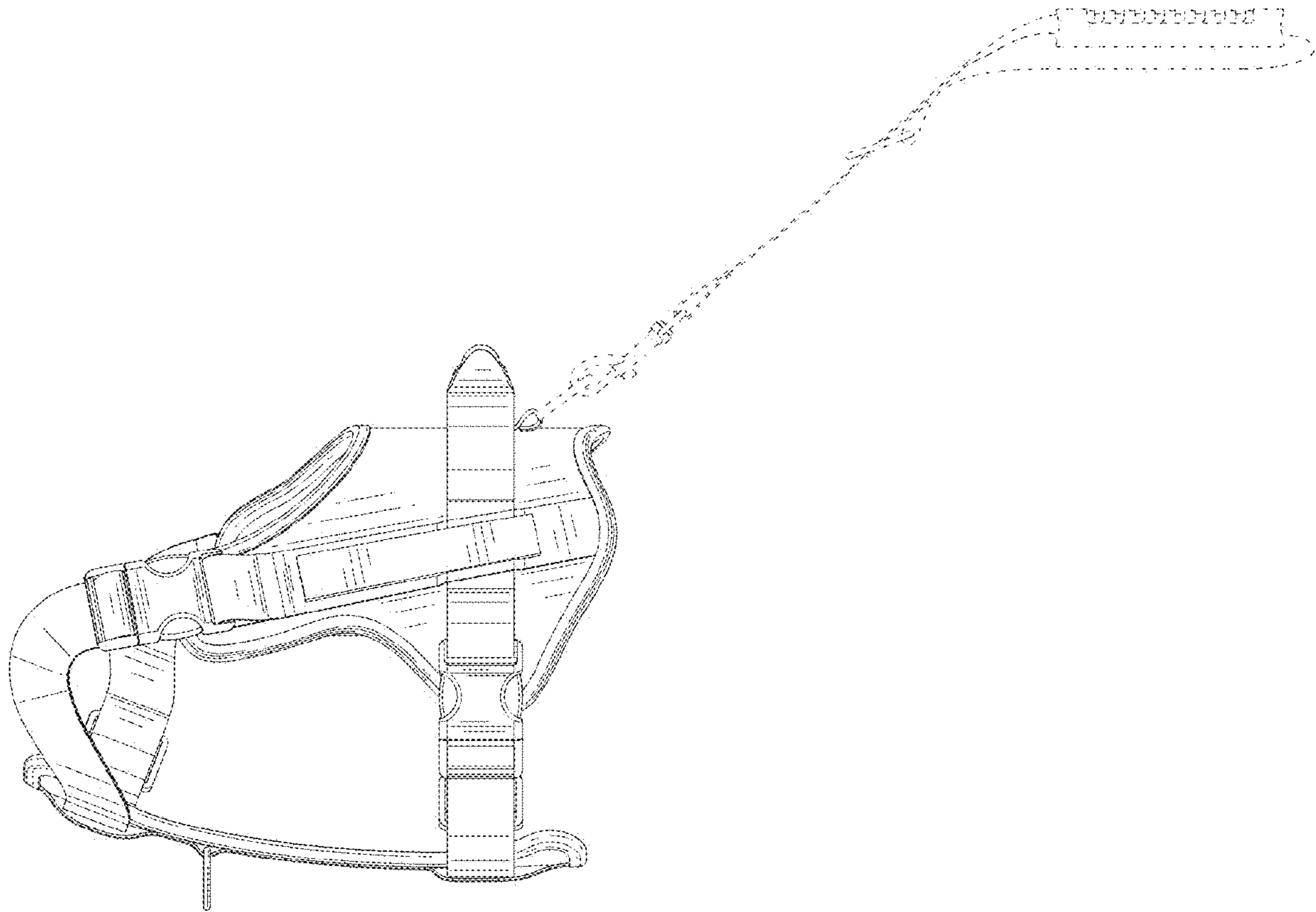


FIG. 4

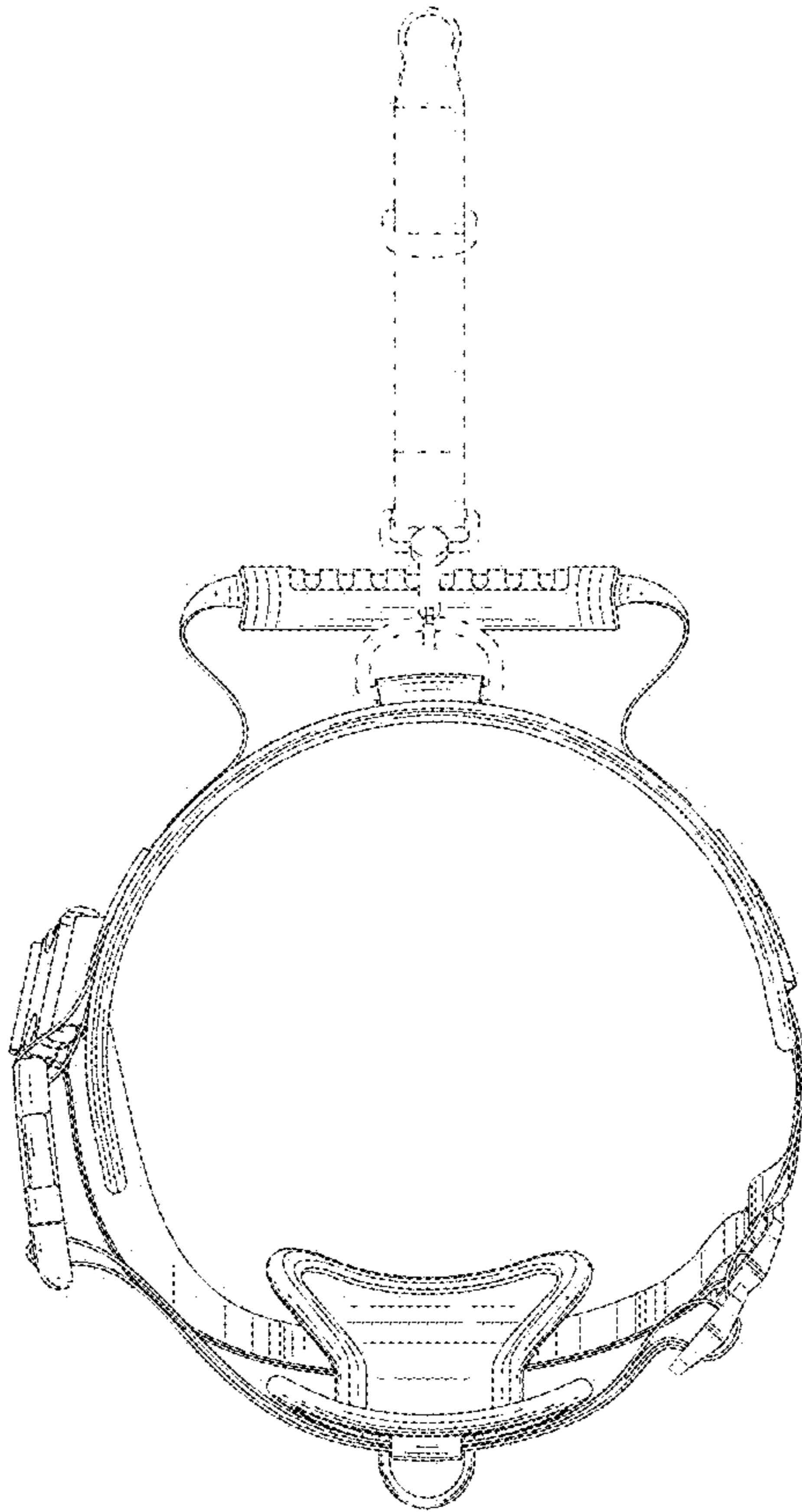


FIG. 5

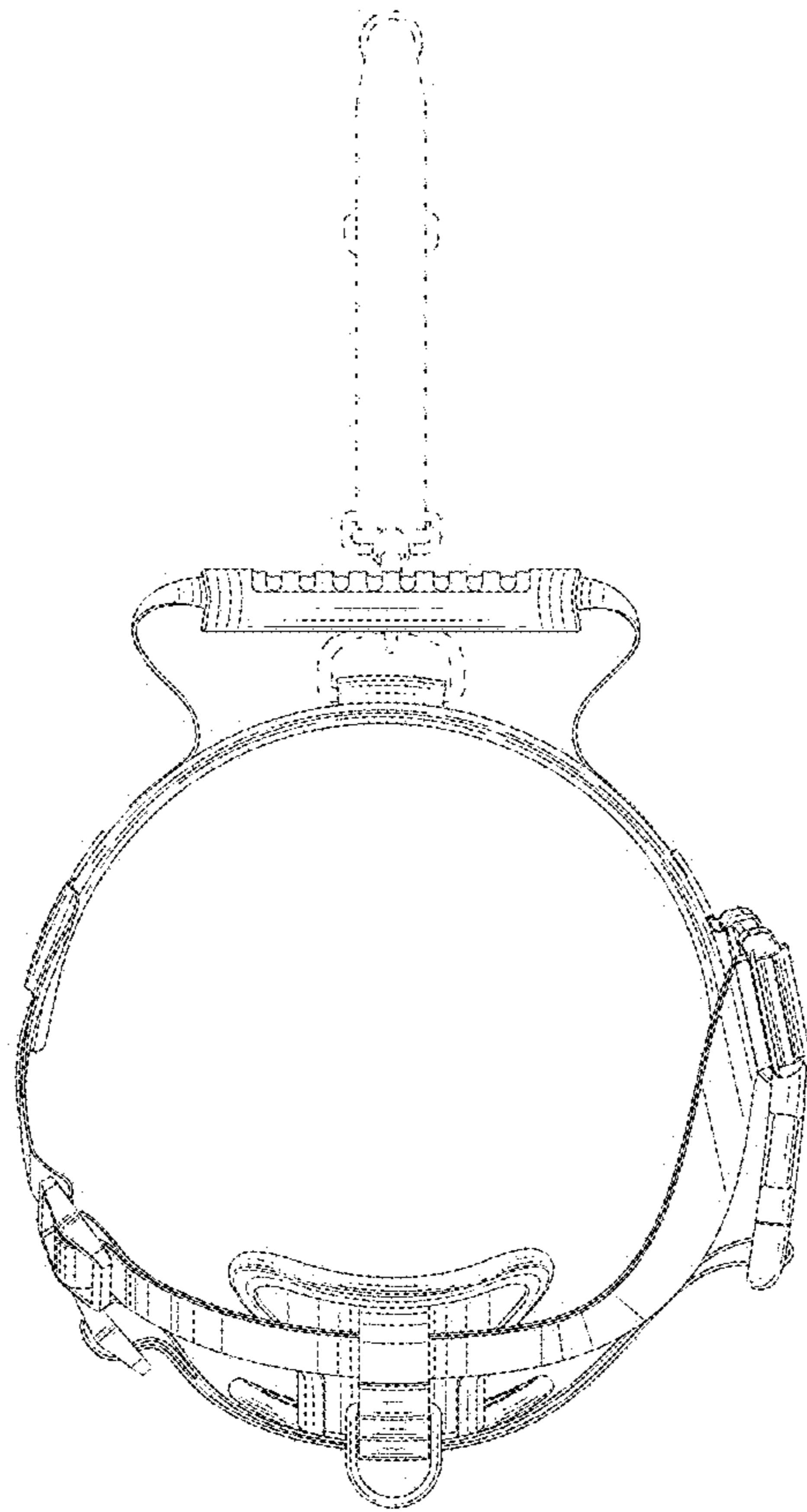


FIG. 6

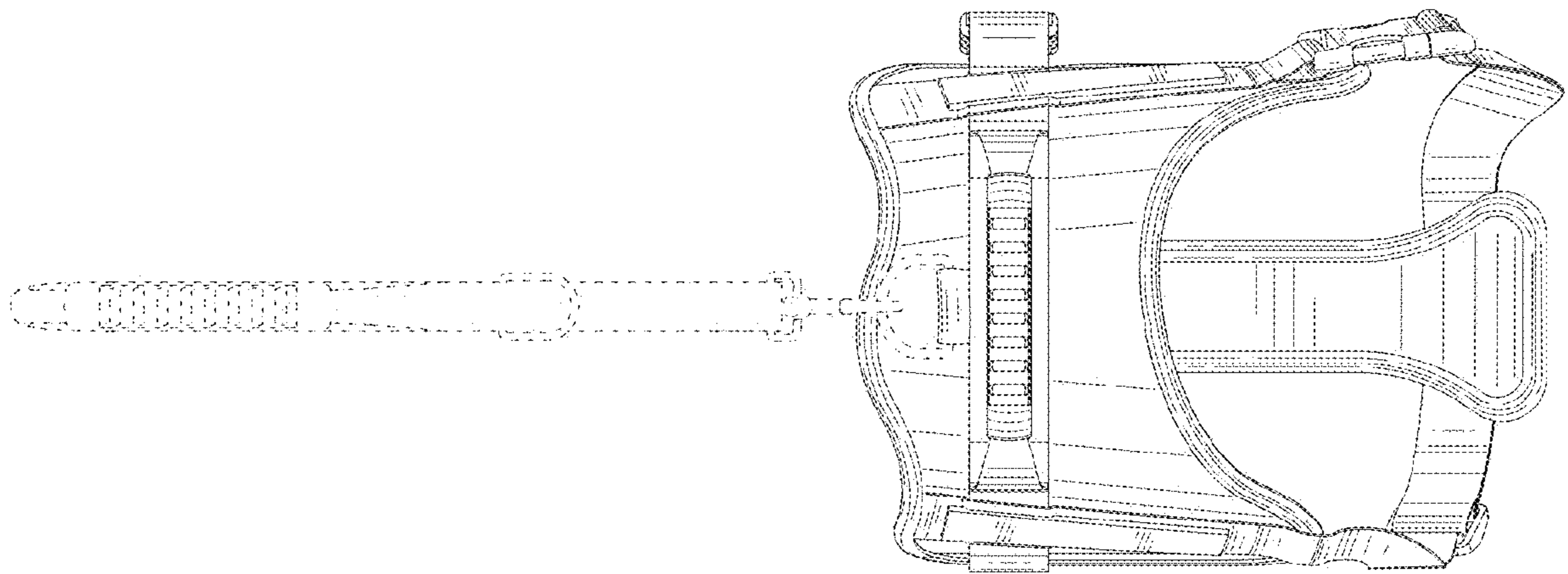


FIG. 7

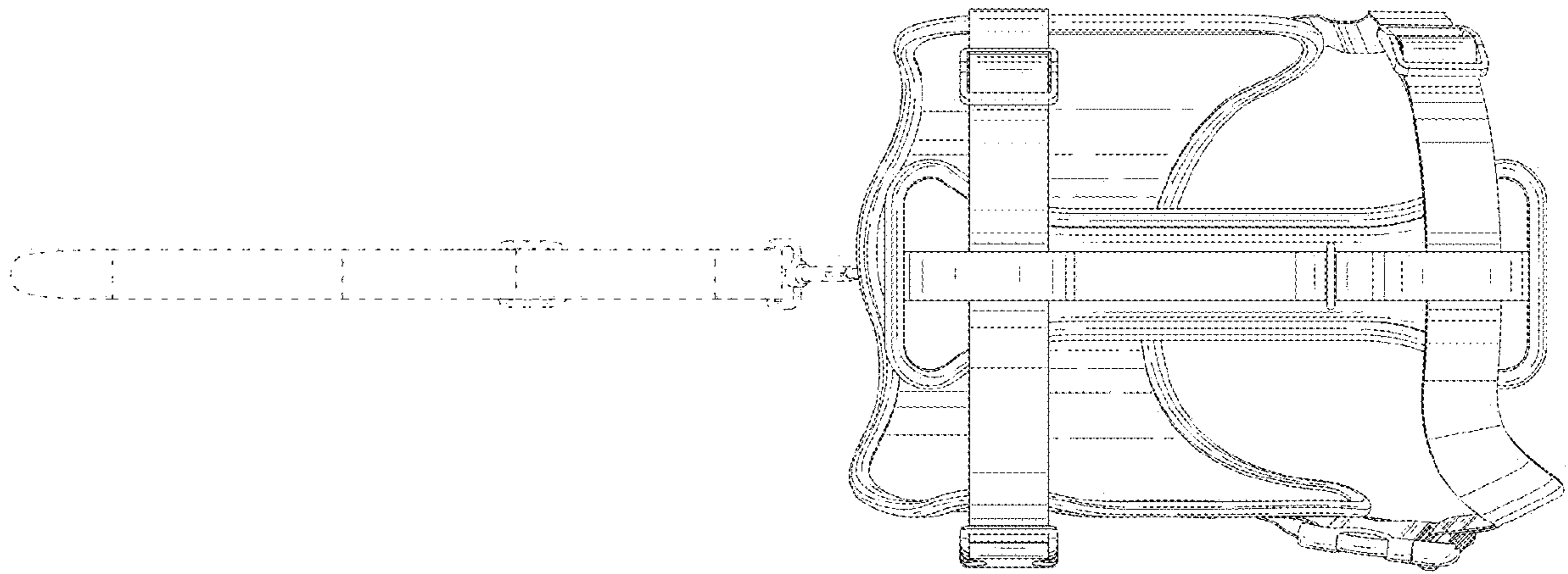


FIG. 8