



US00D965233S

(12) **United States Design Patent**
Gong

(10) **Patent No.:** **US D965,233 S**

(45) **Date of Patent:** **** Sep. 27, 2022**

(54) **PET WATER FOUNTAIN**

(71) Applicant: **Jiangsu Erlangshen Plastic Industry Co., Ltd.**, Yangzhou (CN)

(72) Inventor: **Yuan Gong**, Yangzhou (CN)

(**) Term: **15 Years**

(21) Appl. No.: **29/794,012**

(22) Filed: **Jun. 9, 2021**

(30) **Foreign Application Priority Data**

Apr. 7, 2021 (CN) 202130193495.5

(51) **LOC (13) Cl.** **30-03**

(52) **U.S. Cl.**
USPC **D30/132**

(58) **Field of Classification Search**
USPC D30/121, 122, 124–126, 128, 129–133,
D30/199; 119/51.01, 51.02, 51.11, 51.5,
119/57.92, 61.5, 61.52, 61.54, 61.55,
119/61.56, 61, 57, 72, 73, 74, 75, 78
CPC A01K 5/00; A01K 5/0114; A01K 5/0121;
A01K 5/0135; A01K 7/005; A01K 7/00;
A01K 39/02; A01K 39/04; A01K 39/0213
See application file for complete search history.

(56) **References Cited**

U.S. PATENT DOCUMENTS

5,231,953 A * 8/1993 Garrett A01K 5/0114
392/444
D849,336 S 5/2019 Huang
D893,810 S * 8/2020 Wu D30/132
D894,500 S 8/2020 Cui
D907,865 S * 1/2021 Kim D30/132
D912,333 S * 3/2021 Wang D30/132
D912,910 S * 3/2021 Xue D30/132
D914,300 S * 3/2021 Wu D30/132
D917,107 S * 4/2021 Chen D30/132
D936,912 S * 11/2021 Huang D30/132

D942,708 S * 2/2022 Tu D30/132
D948,134 S * 4/2022 Tu D30/132
2009/0266302 A1 * 10/2009 Duval A01K 7/005
248/228.7
2014/0251223 A1 * 9/2014 Rowe A01K 7/00
119/74

(Continued)

FOREIGN PATENT DOCUMENTS

GB 614387 * 7/2021

OTHER PUBLICATIONS

“Kasty Store Cat Fountain” available Apr. 22, 2021, [online], [site visited May 31, 2022]. Retrieved from Internet, URL:https://www.amazon.com/Operated-Fountains-Fountain-Infrared-Dispenser/dp/B08ZN76HLW (Year: 2021).*

(Continued)

Primary Examiner — W. A. Teddy Falloway
Assistant Examiner — Katrina N Gonzalez

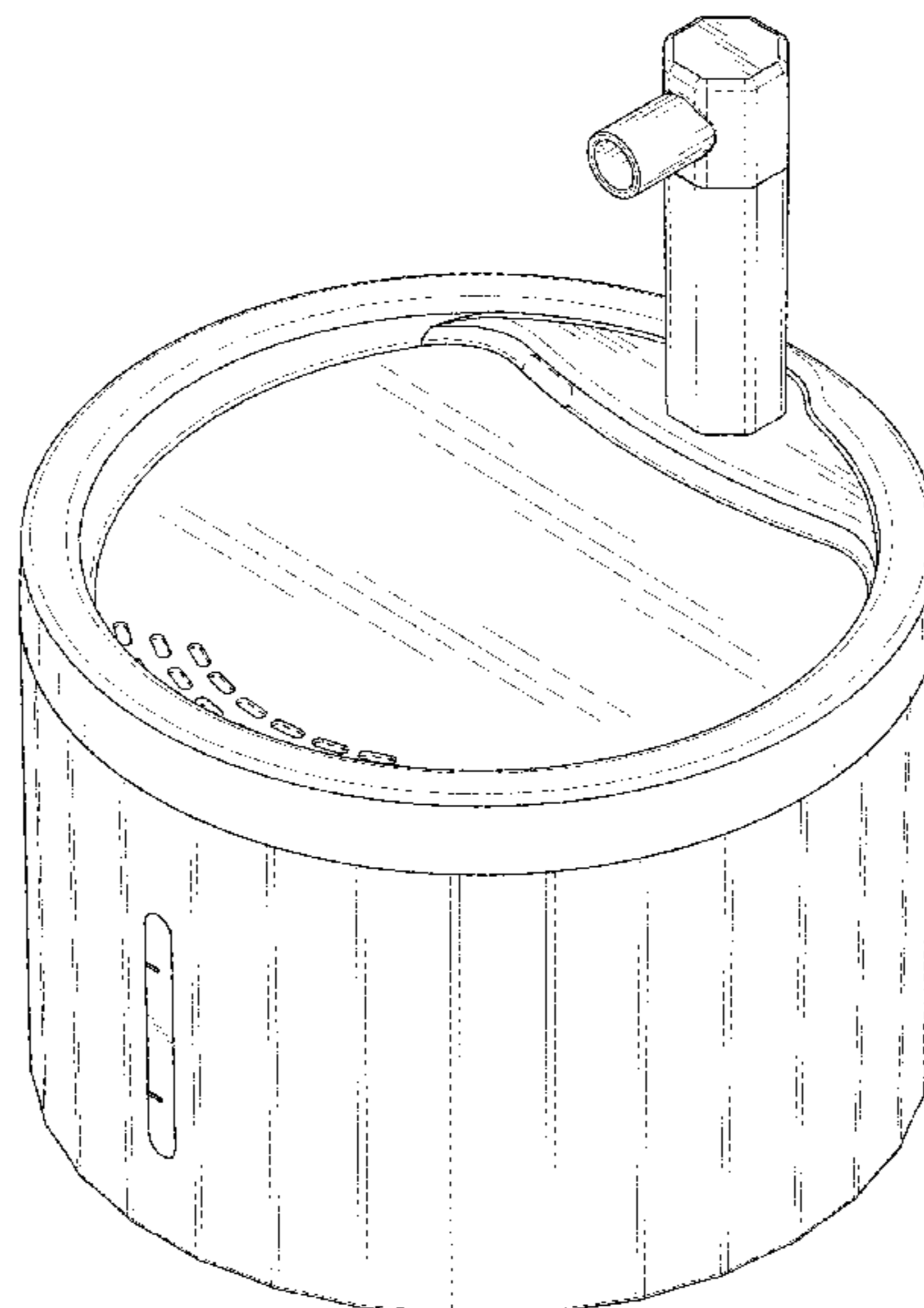
(57) **CLAIM**

The ornamental design for a pet water fountain, as shown and described.

DESCRIPTION

FIG. 1 is a top, front and right perspective view of a pet water fountain showing my new design;
FIG. 2 is a front, right and bottom perspective view thereof;
FIG. 3 is a front view thereof;
FIG. 4 is a rear view thereof;
FIG. 5 is a left side view thereof;
FIG. 6 is a right side view thereof;
FIG. 7 is a top plan view thereof; and,
FIG. 8 is a bottom plan view thereof.
The broken lines in the figures illustrate portions of the pet water fountain that form no part of the claimed design.

1 Claim, 8 Drawing Sheets



(56)

References Cited

U.S. PATENT DOCUMENTS

2020/0086245 A1* 3/2020 Yoo A01K 7/00

OTHER PUBLICATIONS

“NPET WF050 Cat Water Fountain” available May 26, 2020, [online], [site visited May 31, 2022]. Retrieved from Internet, URL:https://www.amazon.com/dp/B0895P6XBV/ref=sspa_dk_detail_1 (Year: 2020).*

* cited by examiner

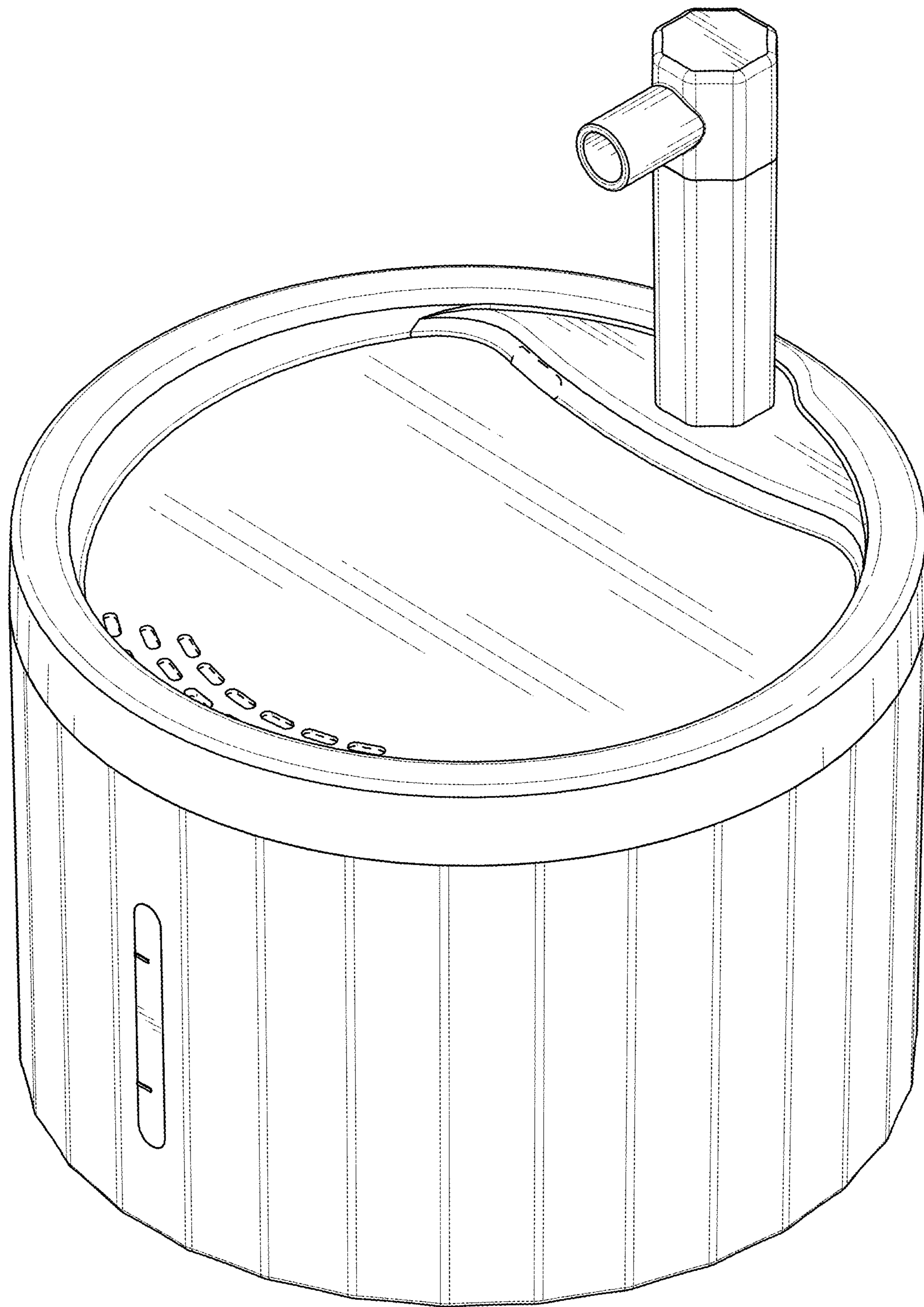


FIG. 1

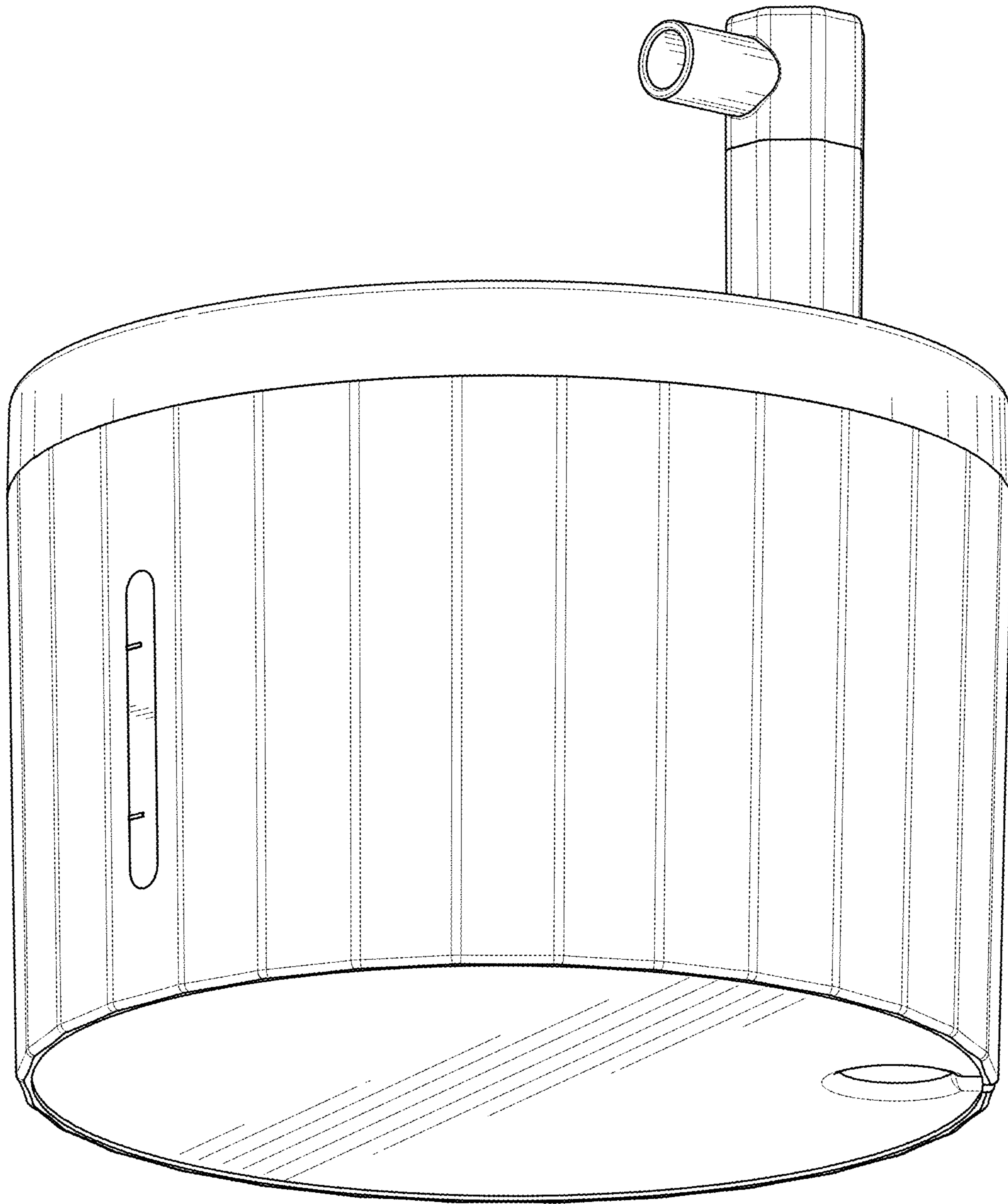


FIG. 2

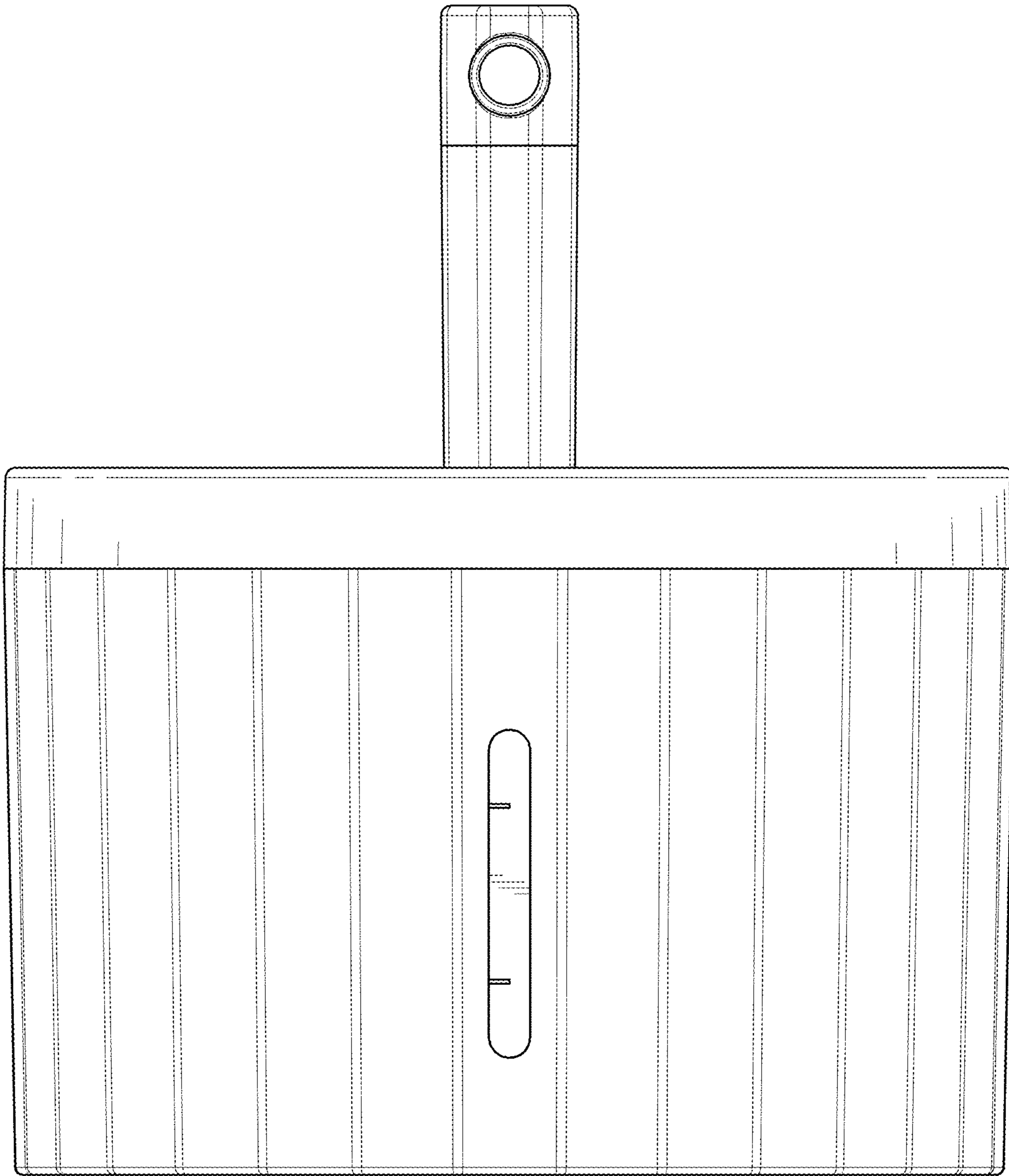


FIG. 3

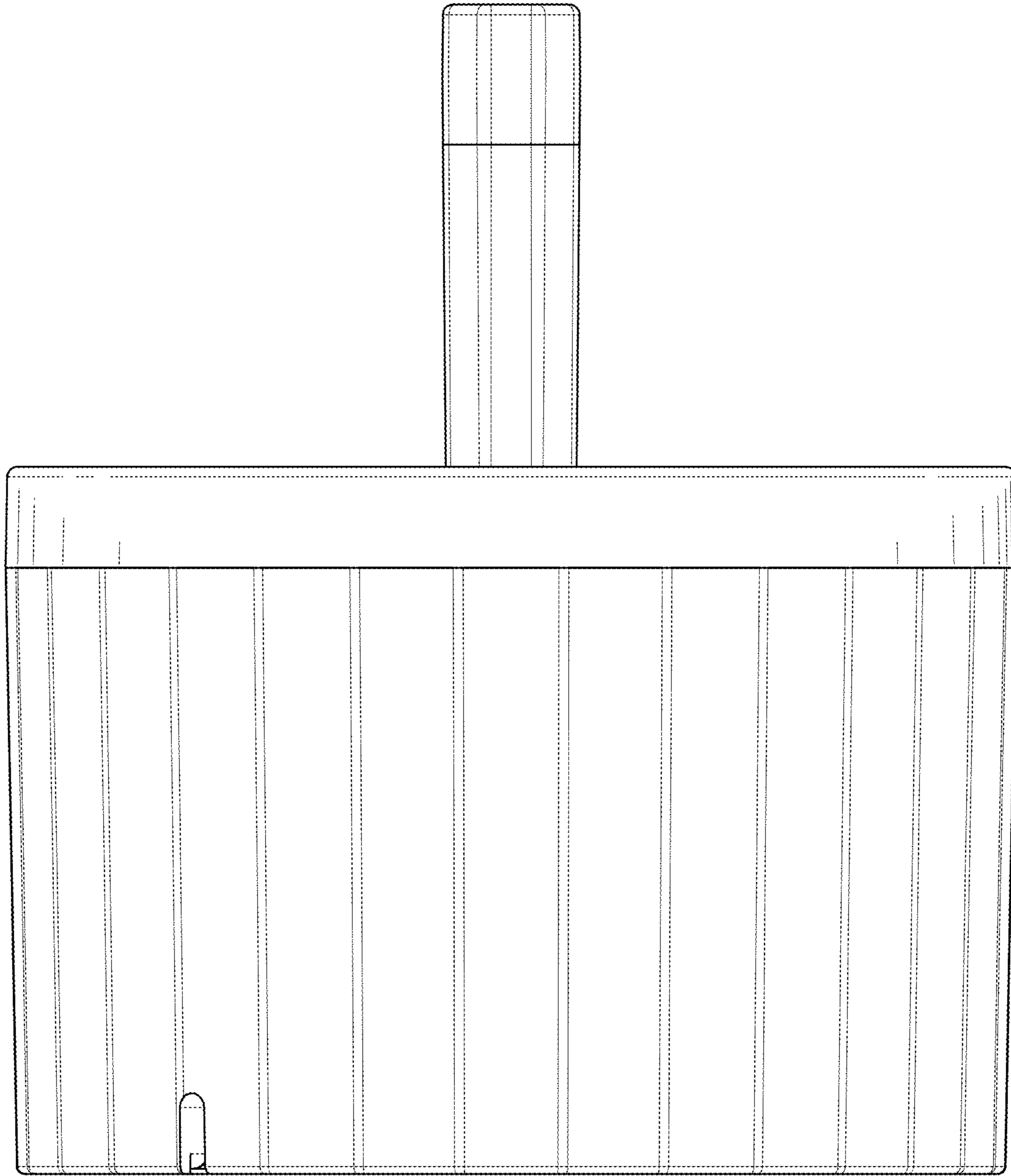


FIG. 4

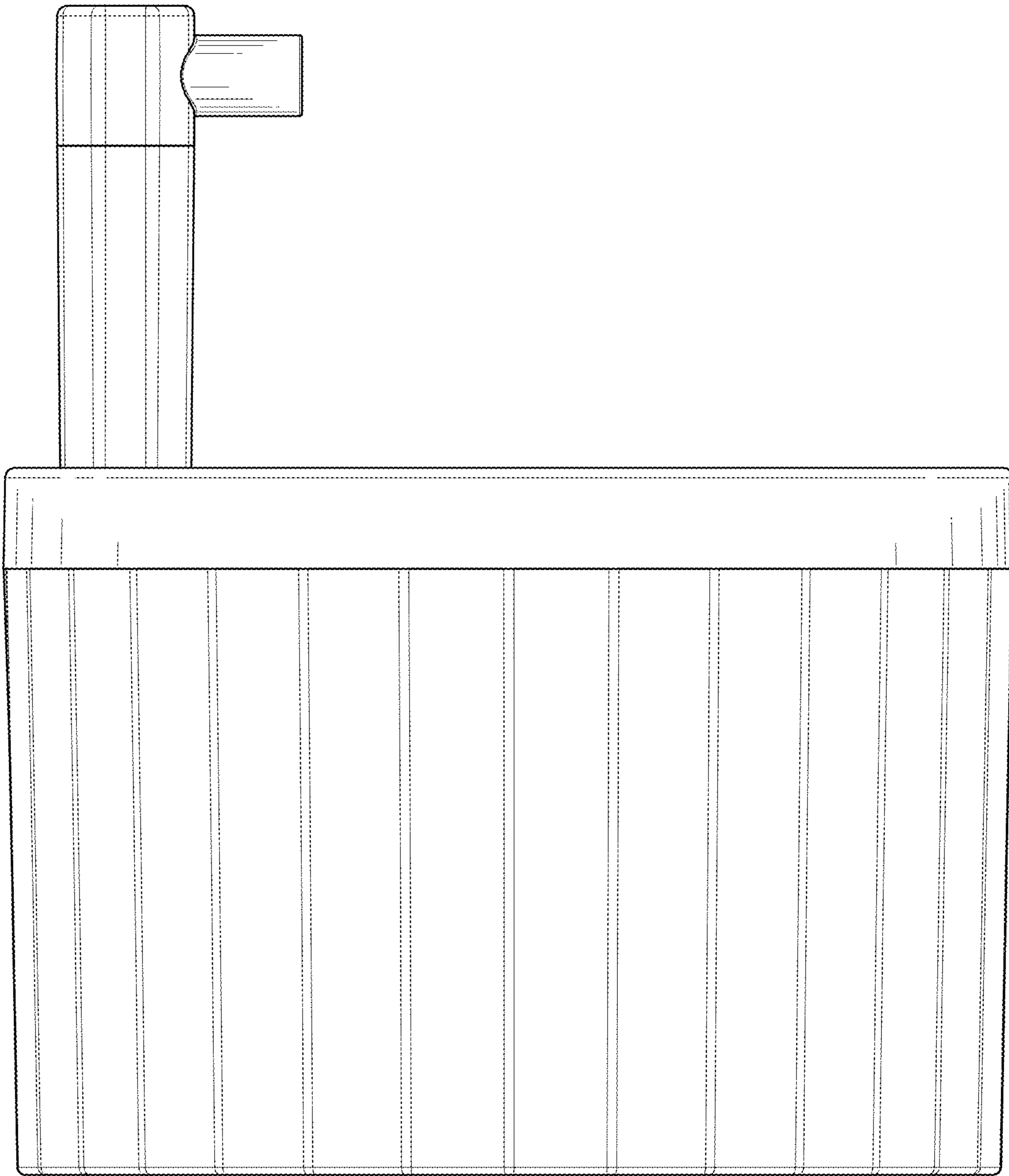


FIG. 5

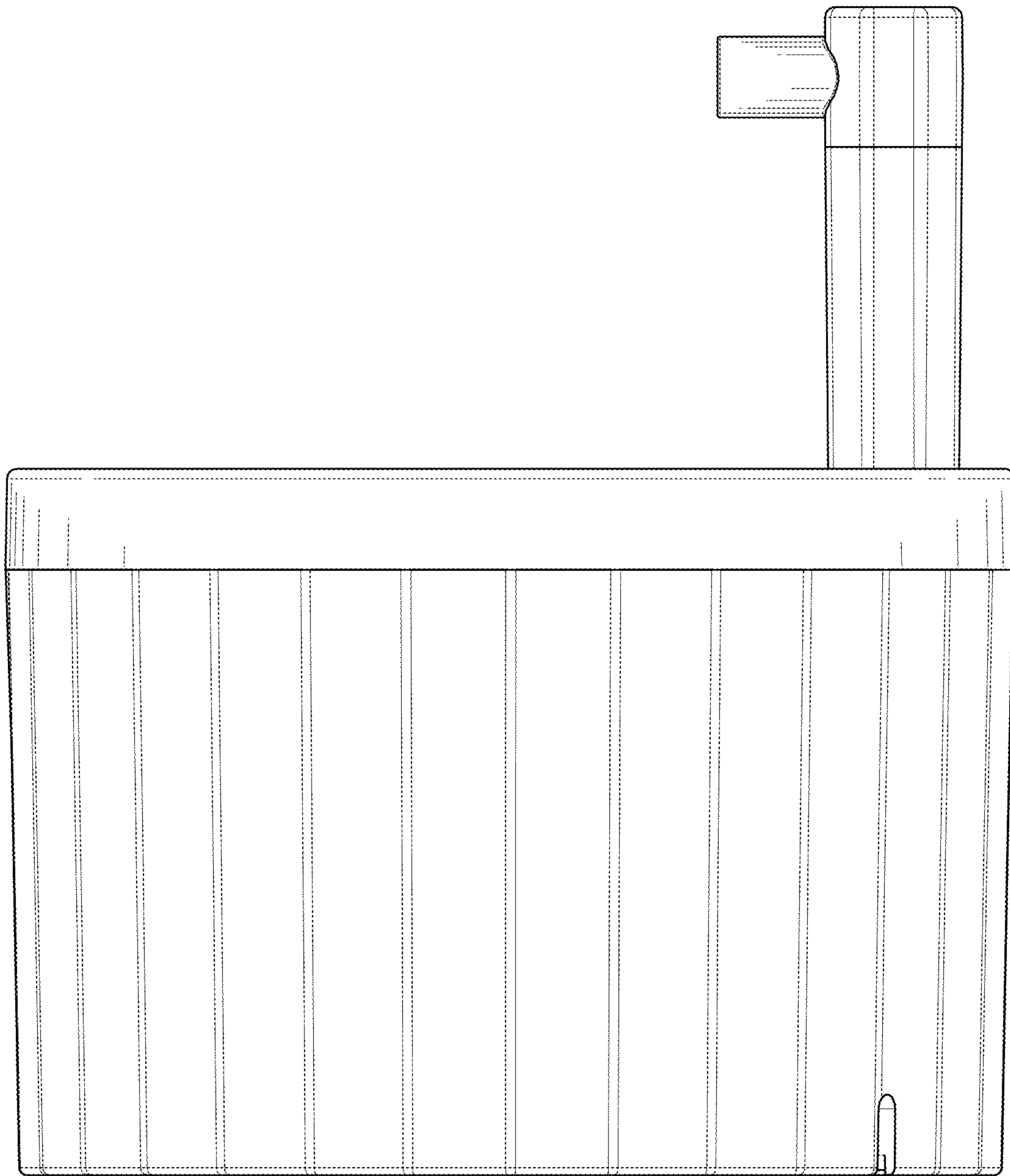


FIG. 6

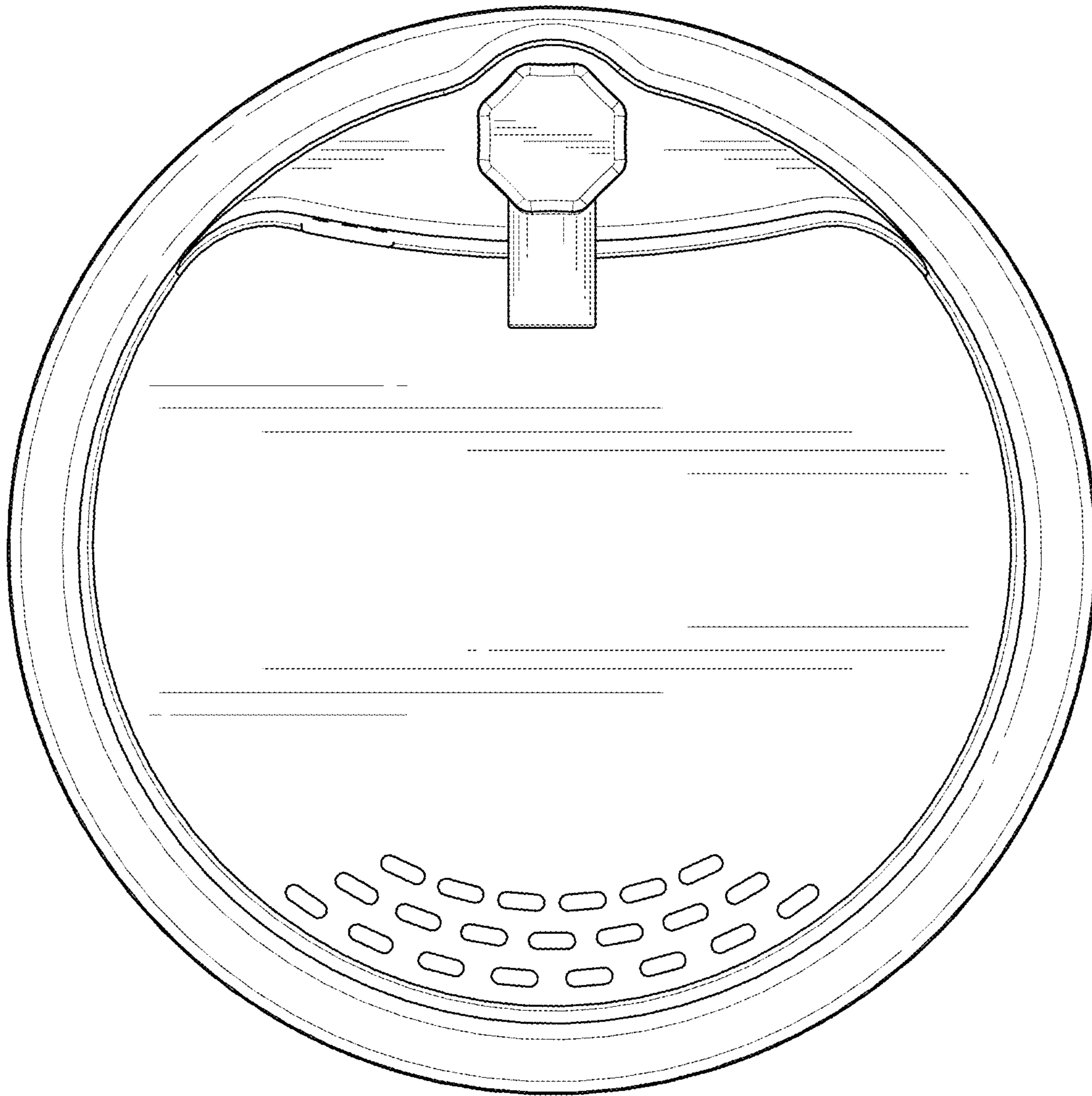


FIG. 7

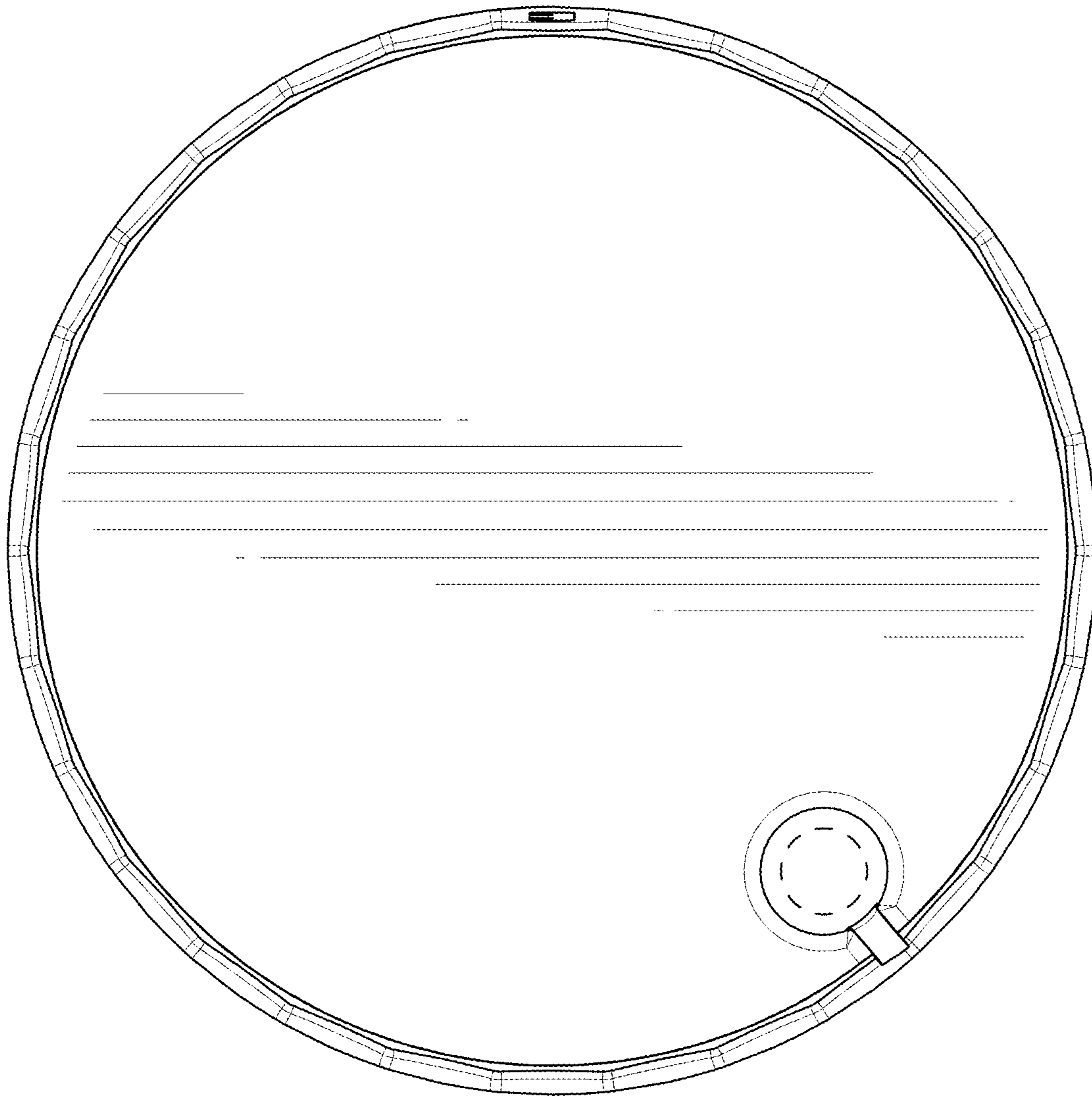


FIG. 8