



US00D965231S

(12) **United States Design Patent** (10) **Patent No.:** **US D965,231 S**
Swartzon (45) **Date of Patent:** **** Sep. 27, 2022**

(54) **FITNESS GLOVE**

Available from Internet, URL: <https://www.amazon.com/dp/B001D9J0W6> (Year: 2010).*

(71) Applicant: **Gem Gloves Inc.**, Plantation, FL (US)

(Continued)

(72) Inventor: **Dara Swartzon**, Plantation, FL (US)

Primary Examiner — Maria J. Edwards

(73) Assignee: **Gem Gloves Inc.**, Plantation, FL (US)

(74) *Attorney, Agent, or Firm* — Lerner, David, Littenberg, Krumholz & Mentlik, LLP

(**) Term: **15 Years**

(57) **CLAIM**

(21) Appl. No.: **29/748,337**

The ornamental design for a fitness glove, as shown and described.

(22) Filed: **Aug. 28, 2020**

DESCRIPTION

(51) **LOC (13) Cl.** **02-99**

FIG. 1 is a front perspective view of a fitness glove showing my new design;

(52) **U.S. Cl.**

FIG. 2 is a front elevation view thereof;

USPC **D29/123; D2/623**

FIG. 3 is a rear elevation view thereof;

(58) **Field of Classification Search**

FIG. 4 is a right side elevation view thereof;

USPC D29/113–115, 117.1, 117.2, 118, 119, D29/123

FIG. 5 is a left side elevation view thereof;

CPC A63B 21/4019

FIG. 6 is a top plan view thereof;

See application file for complete search history.

FIG. 7 is a bottom plan view thereof;

(56) **References Cited**

FIG. 8 is an enlarged portion taken through line 8-8 of FIG. 2;

U.S. PATENT DOCUMENTS

FIG. 9 is a front plan view showing an opening of the fitness glove in an expanded position;

3,703,007 A	11/1972	Stewart	
5,140,709 A	8/1992	Cohn et al.	
D347,101 S *	5/1994	Baker	D29/117.1
D527,850 S *	9/2006	Mangee	D29/113
D529,236 S *	9/2006	Litke	D29/123
D545,002 S *	6/2007	Voravan	D29/123
D545,504 S *	6/2007	Robba	D29/123
D695,968 S *	12/2013	Ruminski	D29/117.1
D703,389 S *	4/2014	Ruminski	D2/623
D802,847 S *	11/2017	Munchel	D29/117.1
D856,595 S *	8/2019	Henderson	D29/113

FIG. 10 is a front elevation view of an environmental in-use example of the fitness glove with the opening in another expanded position; and,

(Continued)

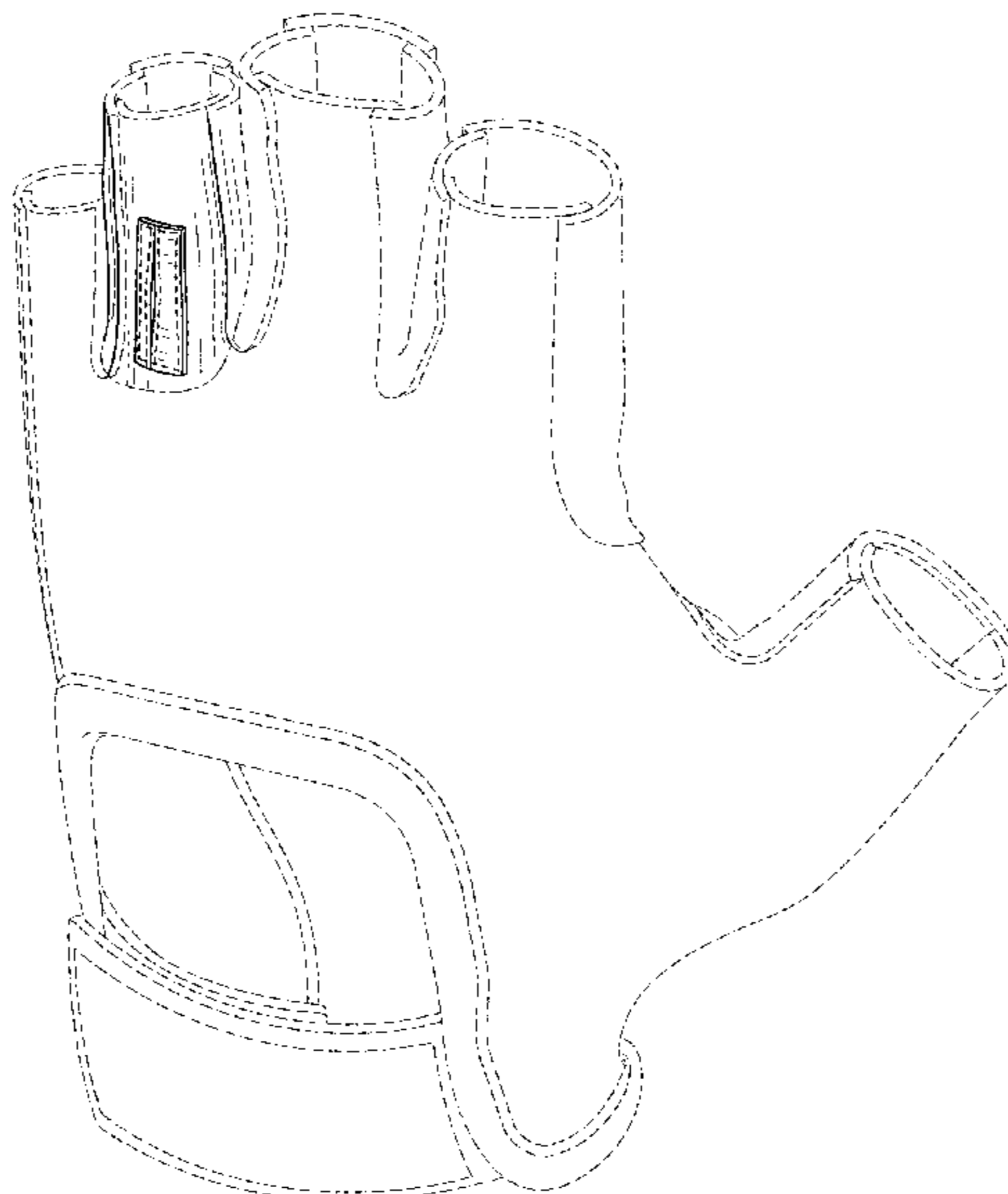
FIG. 11 is an enlarged view of a portion of FIG. 10.

OTHER PUBLICATIONS

Lady Classic Solar Nail and Ring Glove, posted at amazon.com, posting date Dec. 29, 2010, [online], [site visited May 21, 2022].

The broken-line showing of portions of a hand and arm in FIGS. 10 and 11 show environmental features that form no part of the claimed design. The remaining larger broken lines of even length in FIGS. 10-11, as well as the larger broken lines of even length in the remaining figures depict portions of the fitness glove that form no part of the claimed design. The smaller broken lines of even length depict stitching and form part of the claimed design. The broken lines of uneven length are boundary lines that form no part of the claimed design. The broken line cross-hatching shown in the cross-section of FIG. 8 forms no part of the claimed design.

1 Claim, 10 Drawing Sheets



(56)

References Cited

U.S. PATENT DOCUMENTS

D892,411 S * 8/2020 Lee D29/117.1
D939,780 S * 12/2021 De Marchi D29/113

OTHER PUBLICATIONS

Lululemon Uplift Training Gloves sold by lulufanatics.com at least as early as May 2019. [online], [retrieved on Apr. 10, 2021]. Retrieved from the internet <URL:<<https://www.lulufanatics.com/item/47342/lululemon-uplift-training-gloves-cherry-cola-black><URL:%3c<https://www.lulufanatics.com/item/47342/lululemon-uplift-training-gloves-cherry-cola-black>>>>>.

Riiya Sport Glove Unisex Fitness Exercise Workout Weight Lifting Gloves for Gym Training sold by Amazon.com at least as early as May 13, 2018. [online], [retrieved on Apr. 10, 2021]. Retrieved from the internet <URL:<<https://www.amazon.com/Riiya-Fitness-Exercise-Workout-Training/dp/B075F6K1VZ?th=1><URL:%3c%20<https://www.amazon.com/Riiya-Fitness-Exercise-Workout-Training/dp/B075F6K1VZ?th=1>>>>>.

Ladies Classic Golf Gloves No Tips sold by Carlsgolfland.com at least as early as Aug. 1, 2018. [online], [retrieved on Apr. 10, 2021]. Retrieved from the internet URL:<<https://www.carlsgolfland.com/ladies-clssic-glv-no-tips>.

Harbinger Women's Power Weightlifting Gloves with Stretchback Mesh and Leather Palm (1 Pair) sold by Amazon.com at least as early as Nov. 9, 2019. [online], [retrieved on Apr. 10, 2021]. Retrieved from the internet <URL:<<https://www.amazon.com/Harbinger-Womens-Weightlifting-StretchBack-Leather/dp/B07JLCMCQ8>.

Swartzon, Dara, "Glove With Jewel-Receiving Aperture," Unpublished U.S. Appl. No. 29/502,368, filed Sep. 15, 2014.

* cited by examiner

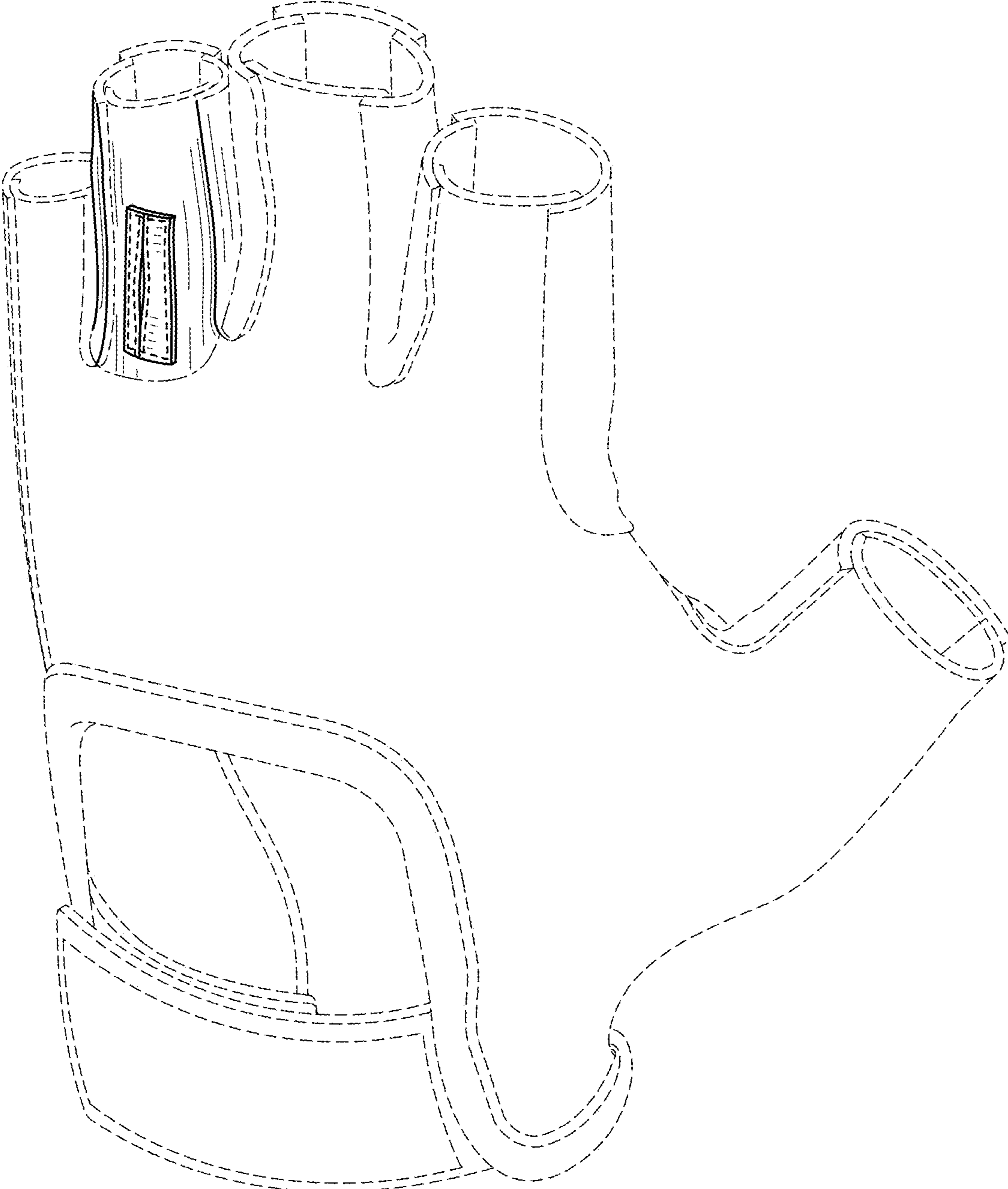


FIG. 1

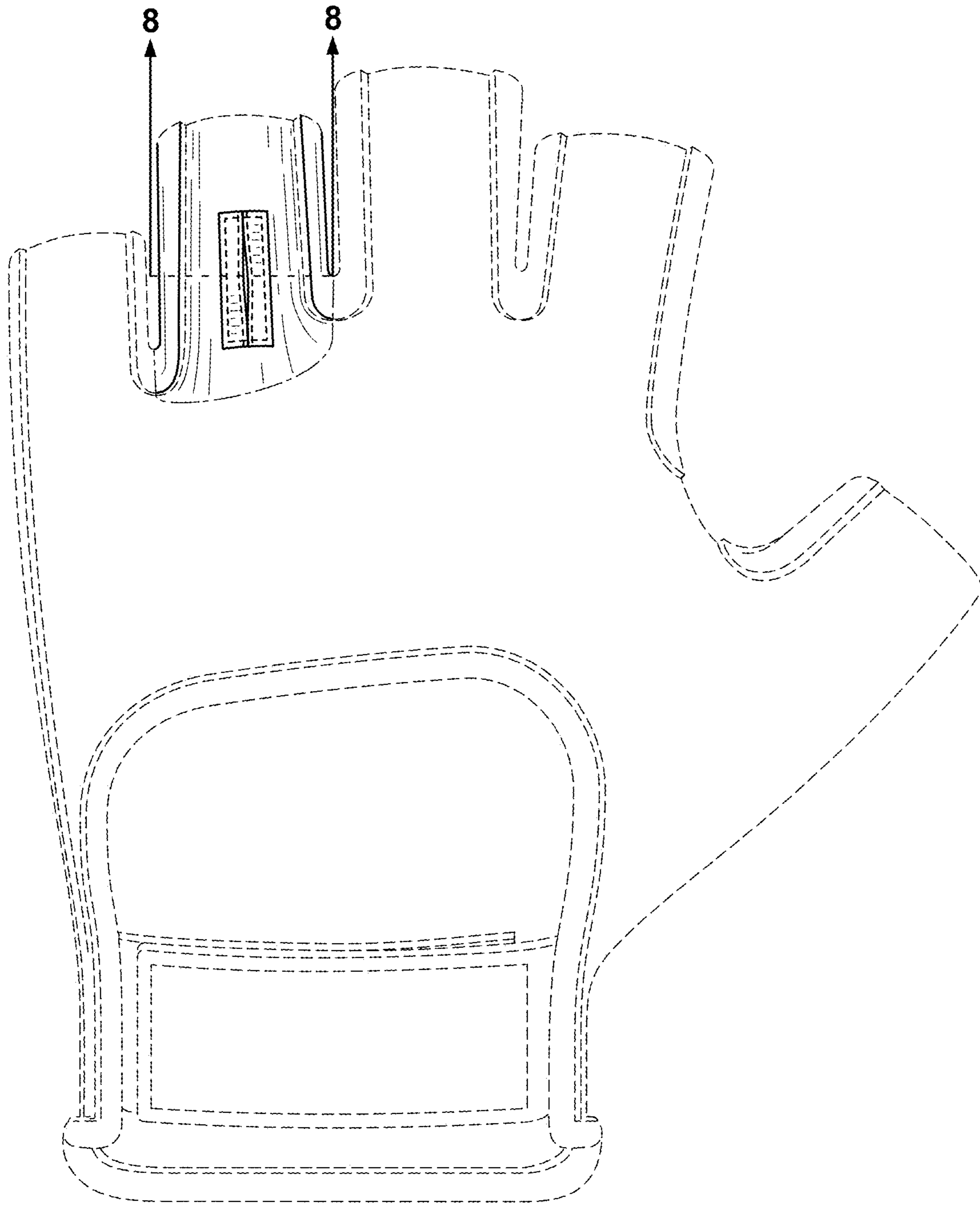


FIG. 2

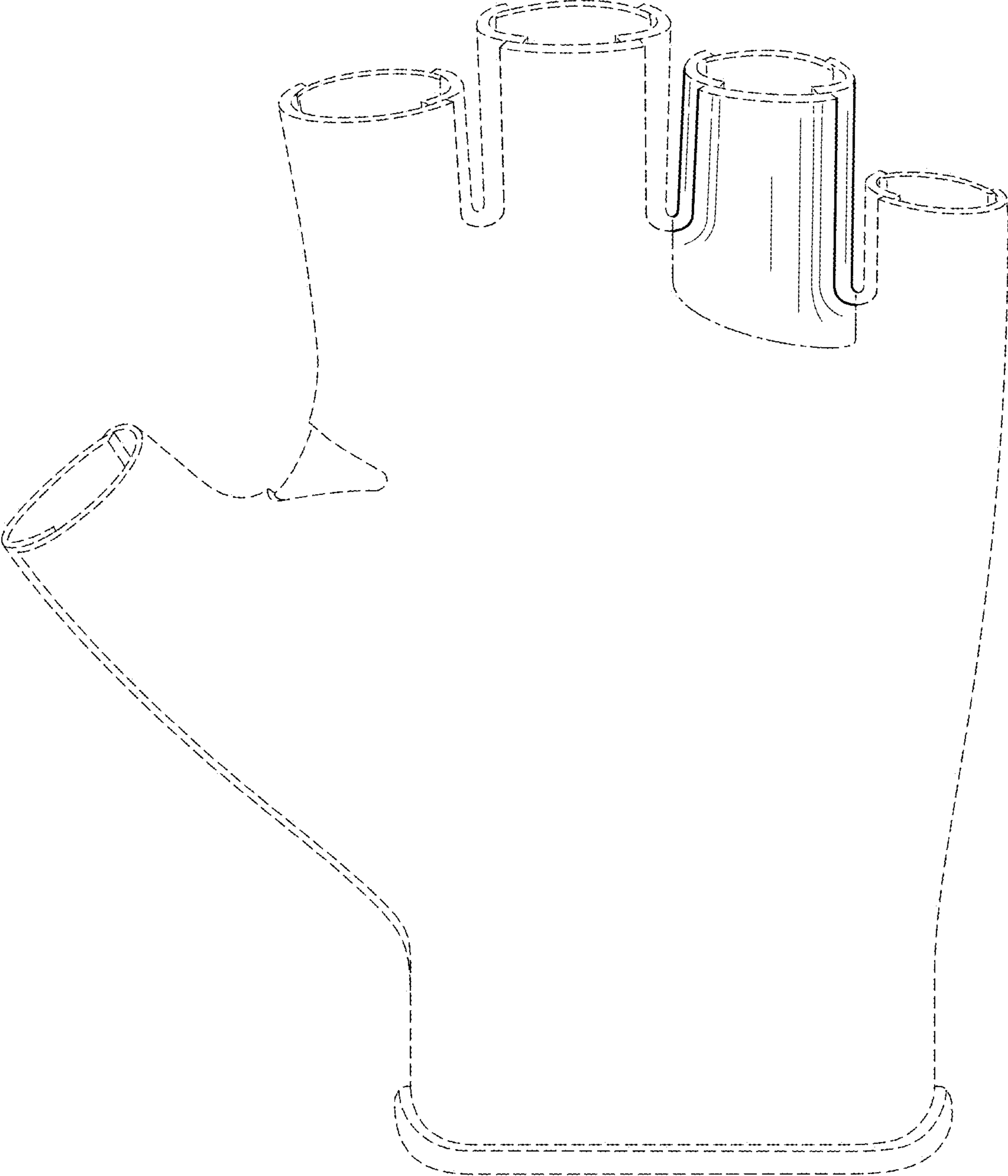


FIG. 3

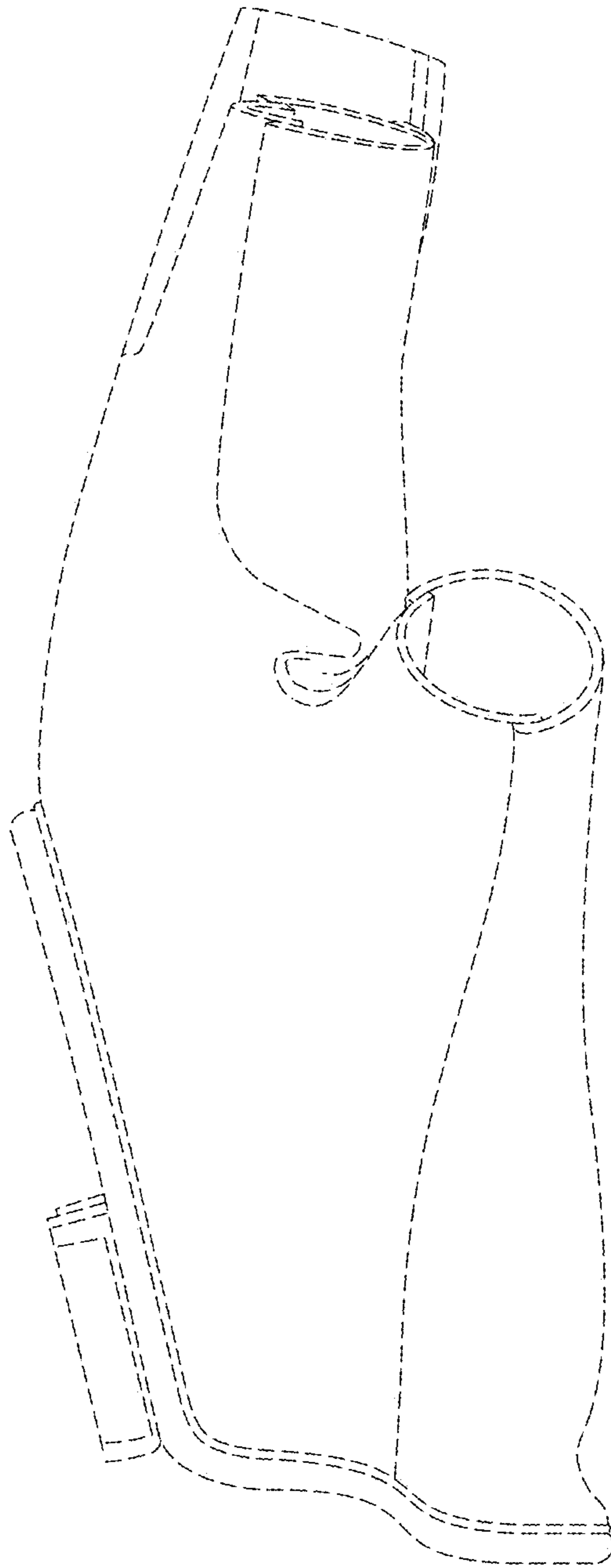


FIG. 4

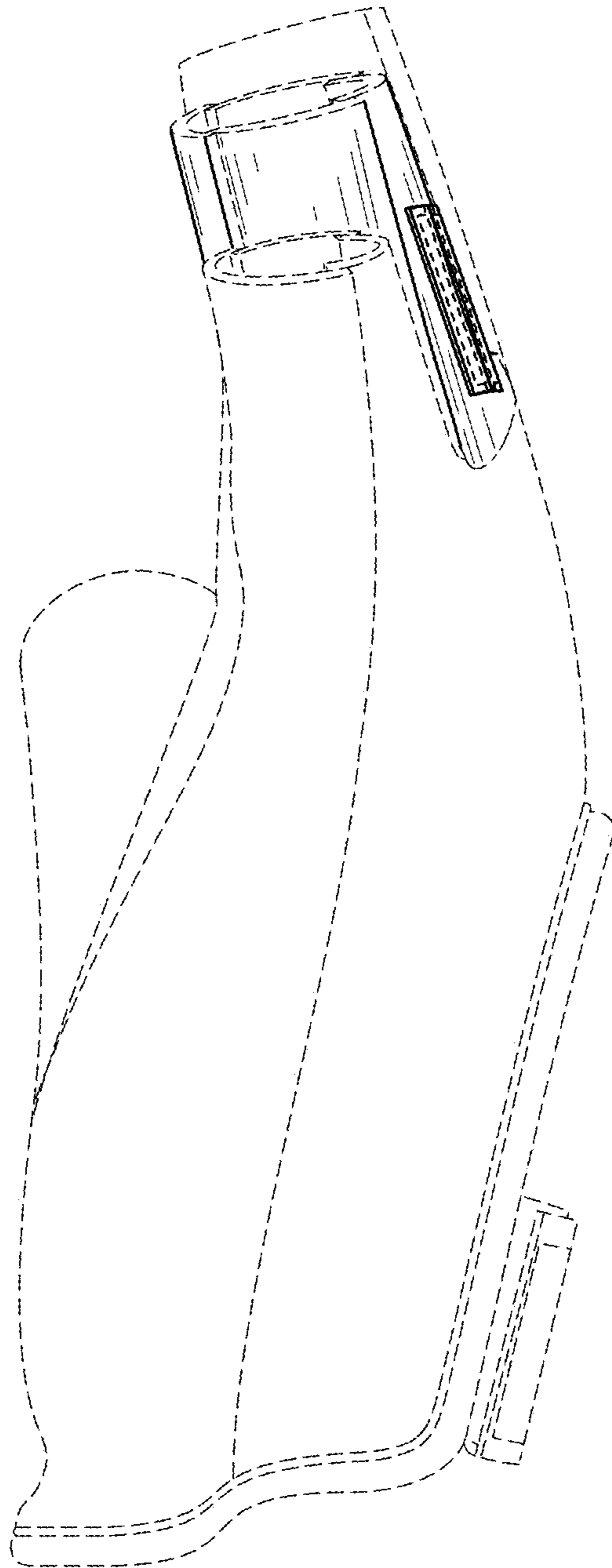


FIG. 5

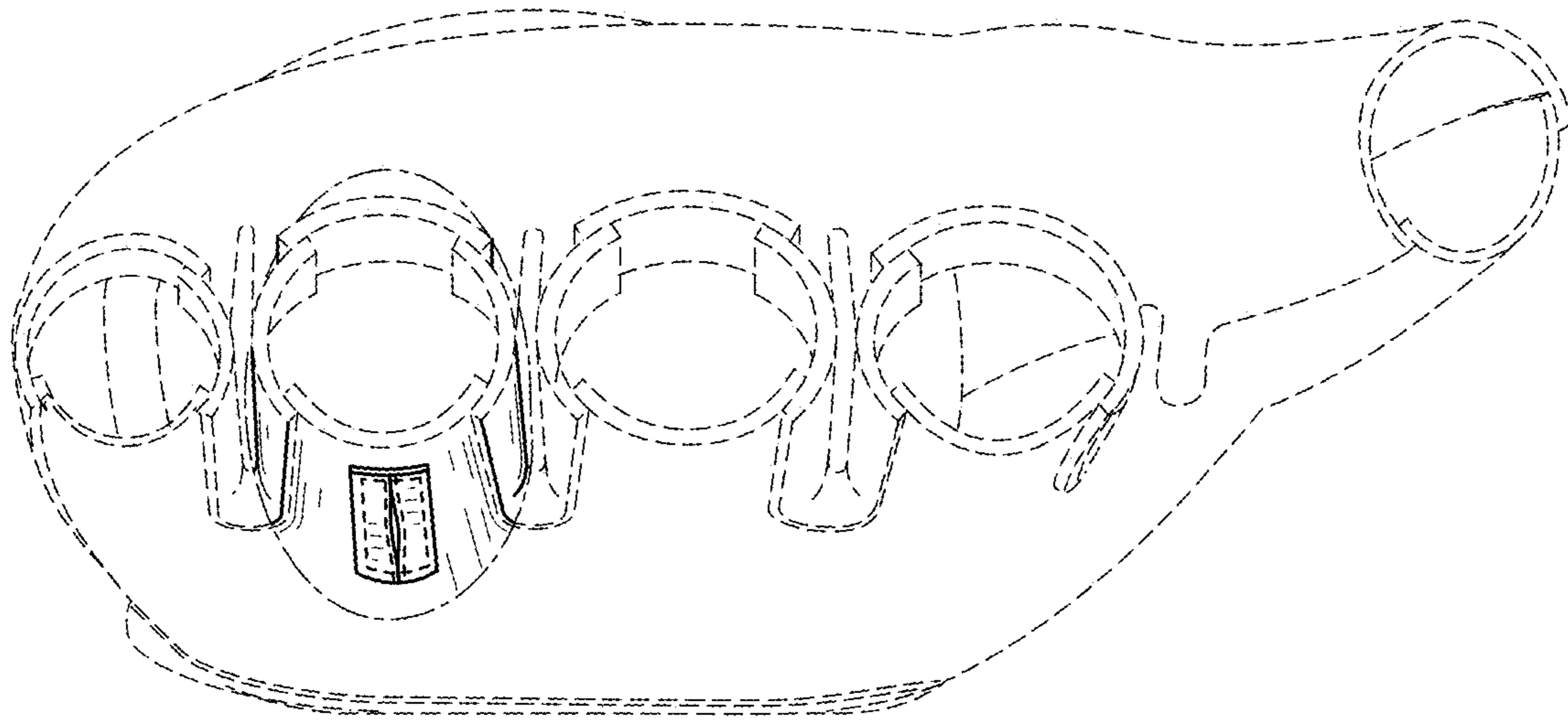


FIG. 6

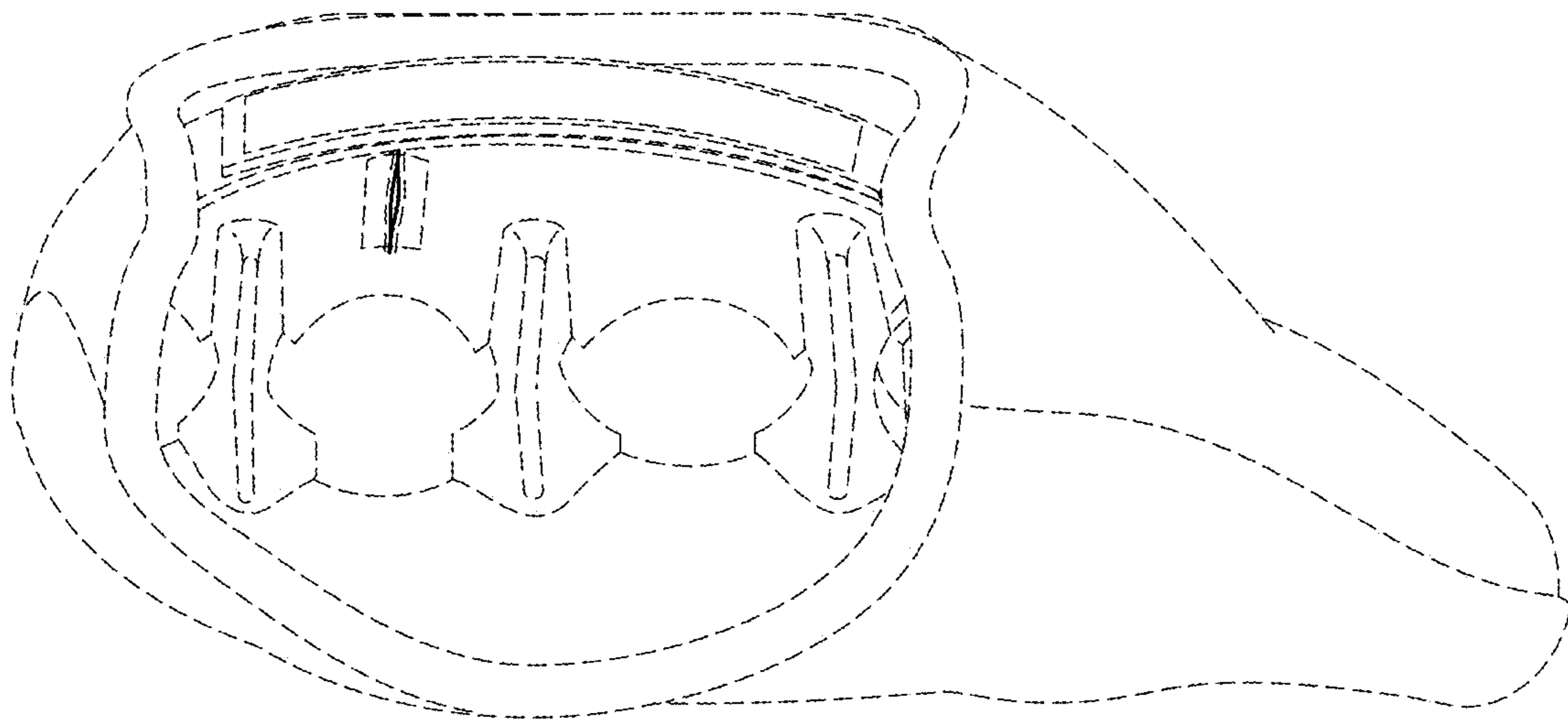


FIG. 7

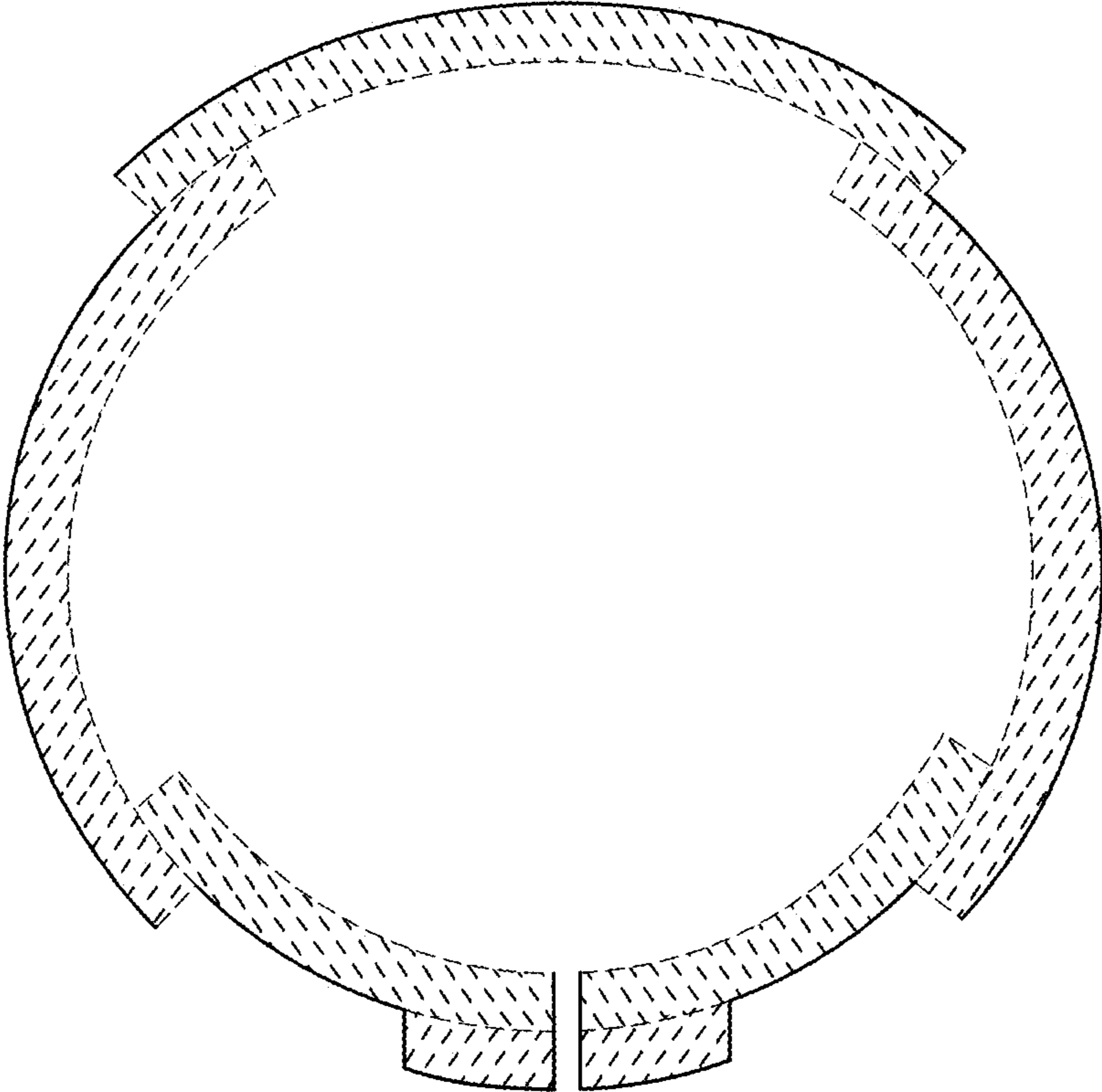


FIG. 8

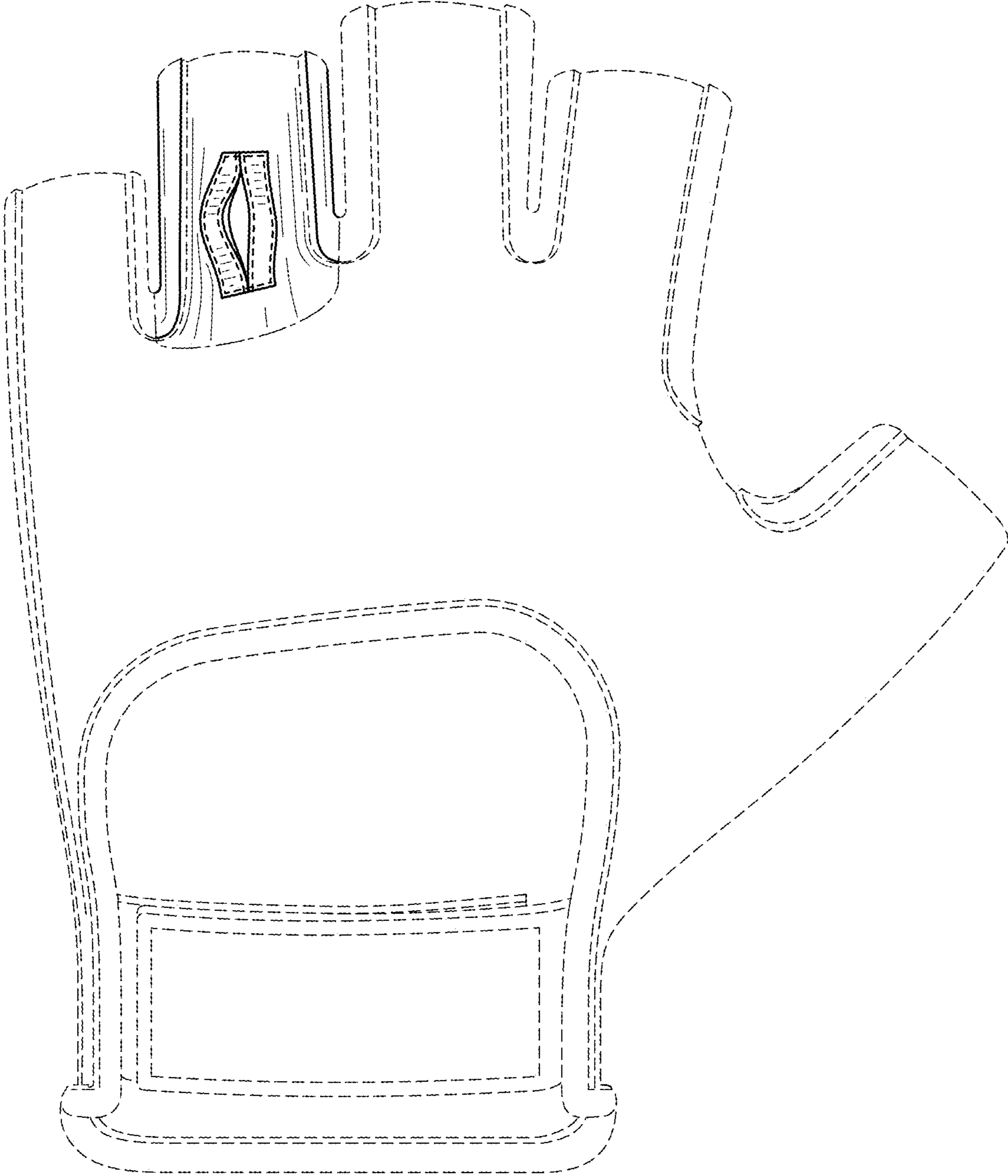


FIG. 9

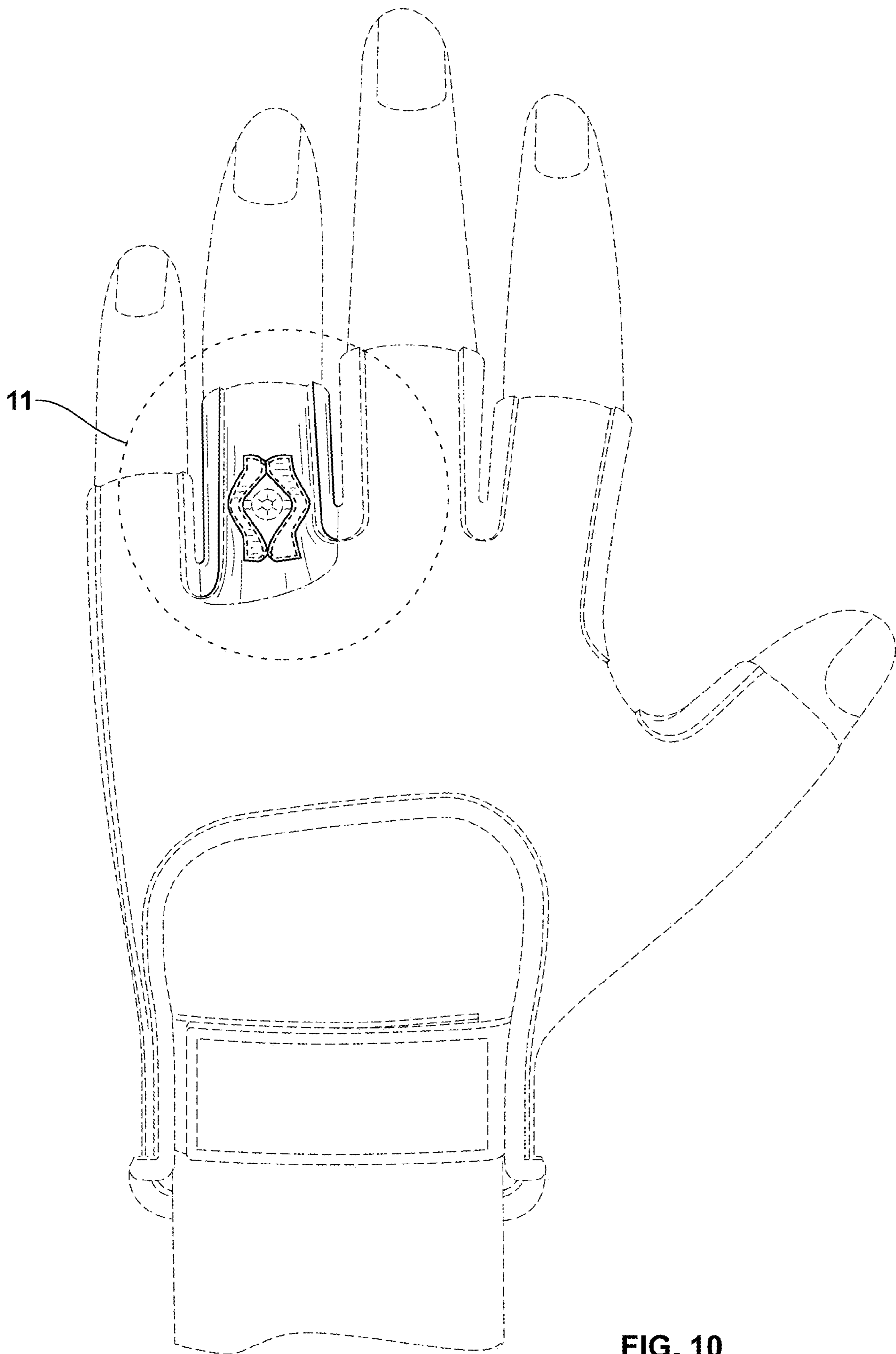


FIG. 10

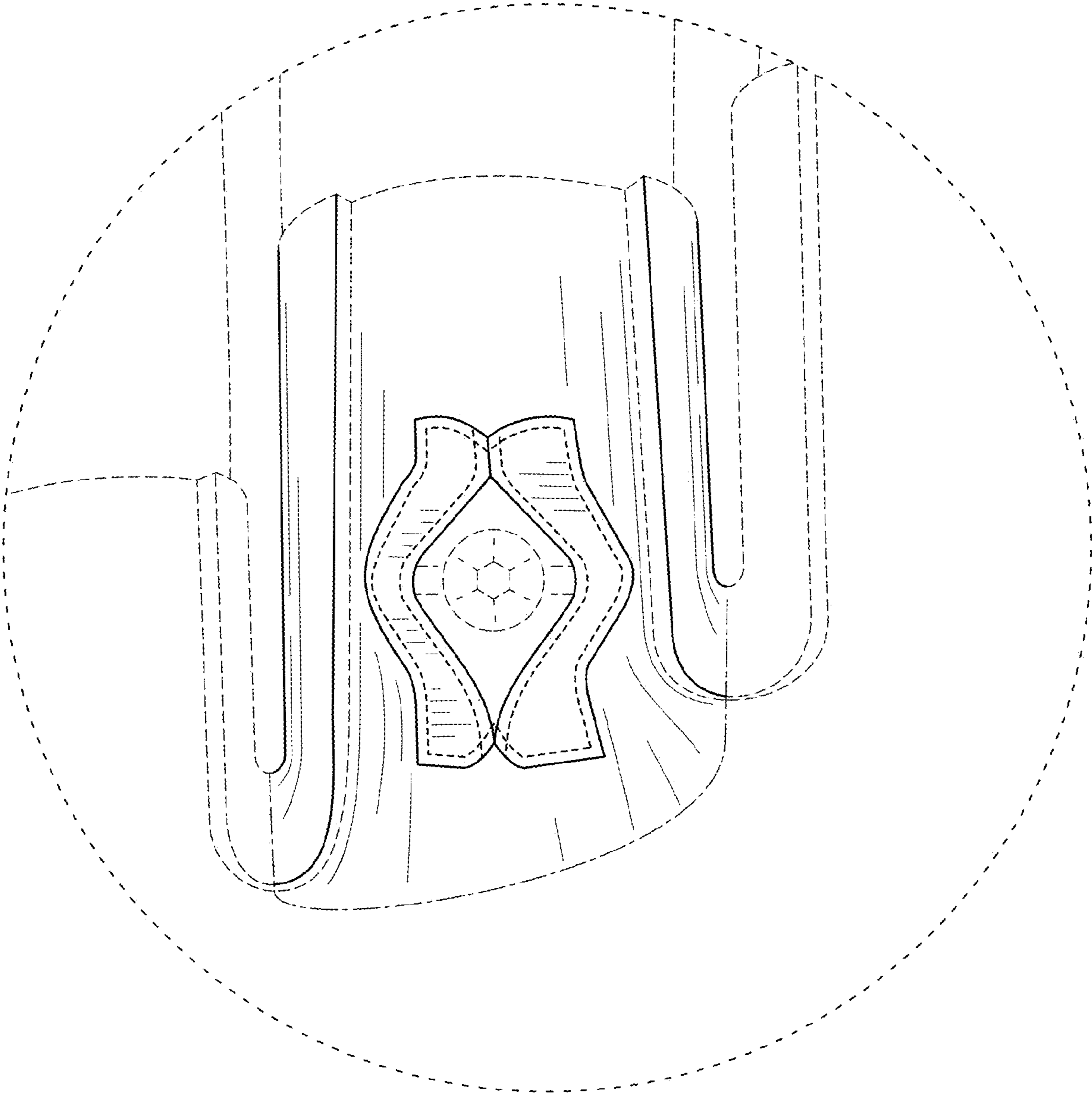


FIG. 11