



US00D965227S

(12) **United States Design Patent** (10) **Patent No.:** **US D965,227 S**
Ren (45) **Date of Patent:** **** Sep. 27, 2022**

(54) **LIPSTICK**
(71) Applicant: **Wenjie Ren**, Luohe (CN)
(72) Inventor: **Wenjie Ren**, Luohe (CN)
(**) Term: **15 Years**
(21) Appl. No.: **29/786,828**
(22) Filed: **Jun. 2, 2021**
(51) **LOC (13) Cl.** **28-03**
(52) **U.S. Cl.**
USPC **D28/85**
(58) **Field of Classification Search**
USPC D28/85-90
CPC A45D 40/02-04; A45D 40/00; A45D
40/06-10; A45D 2040/0012; A45D
2040/0025-0062
See application file for complete search history.

(56) **References Cited**

U.S. PATENT DOCUMENTS

D262,768 S * 1/1982 Bovet D7/591
D450,159 S * 11/2001 Chang D28/87
D467,039 S * 12/2002 Fuller D28/77
D712,594 S * 9/2014 Heilman D28/76
D744,167 S 11/2015 Chertoff
10,835,016 B1 * 11/2020 Galitello A45D 40/222
D931,540 S * 9/2021 Kim D28/85

2010/0054842 A1* 3/2010 DeVito A45D 40/026
401/109
2015/0237990 A1* 8/2015 Lin A45D 40/04
401/78
2019/0289983 A1* 9/2019 Perullo A45D 40/06

FOREIGN PATENT DOCUMENTS

FR 3052345 A1 * 12/2017 A45D 40/04

OTHER PUBLICATIONS

Yves Saint Laurent Matte Lipstick, www.sephora.com, 1 page,
reviewed as early as Sep. 2019 (Year: 2019).*

* cited by examiner

Primary Examiner — Jennifer Rivard
(74) *Attorney, Agent, or Firm* — Justin Lampel

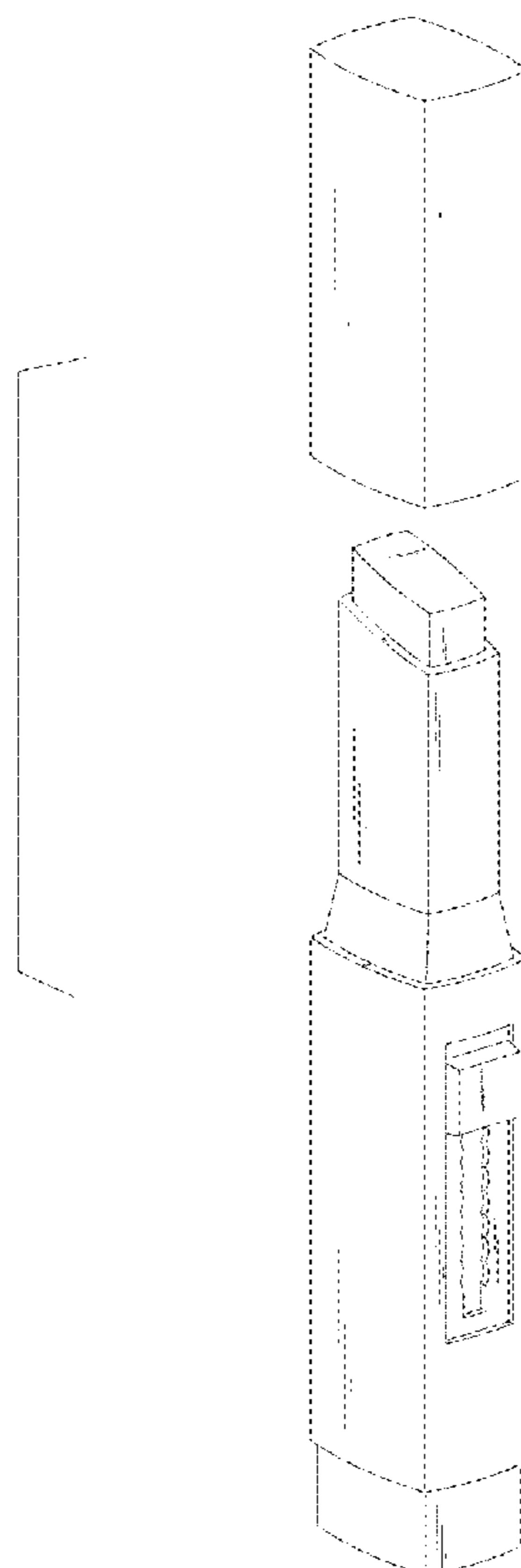
(57) **CLAIM**

The ornamental design for a lipstick, as shown and
described.

DESCRIPTION

FIG. 1 is a perspective view of a lipstick showing the
claimed design;
FIG. 2 is a top plan view thereof;
FIG. 3 is a left side view thereof;
FIG. 4 is a front elevational view thereof;
FIG. 5 is a right side view thereof;
FIG. 6 is a rear elevational view thereof; and,
FIG. 7 is a bottom plan view thereof.

1 Claim, 7 Drawing Sheets



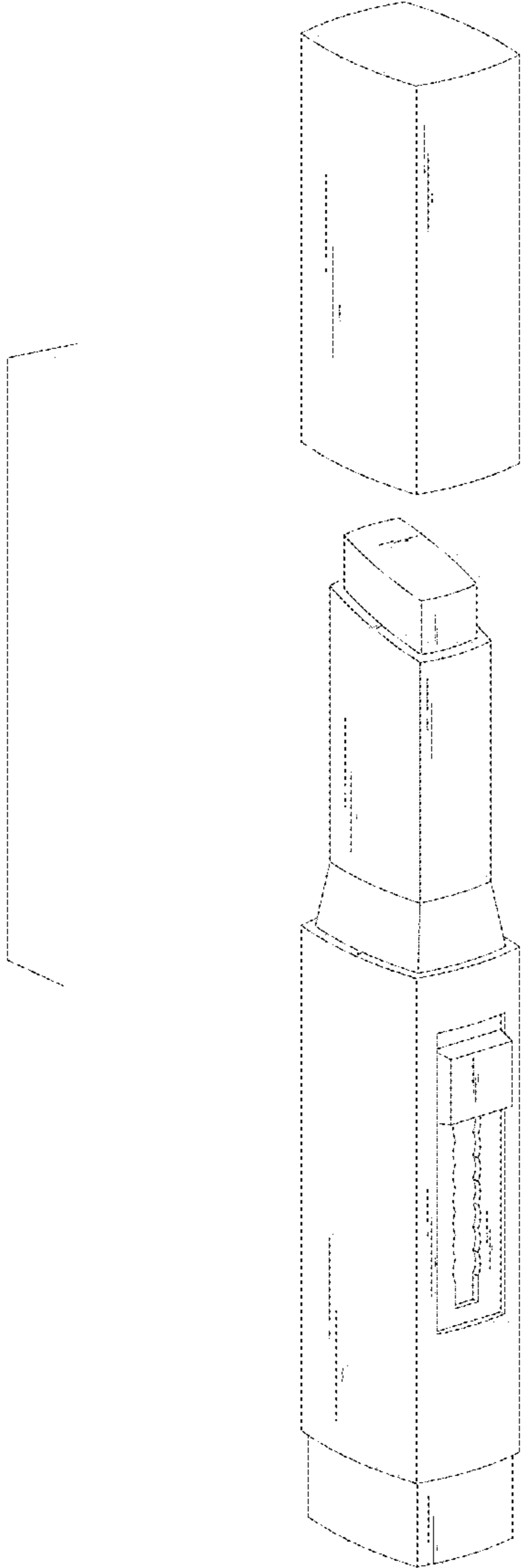


FIG. 1

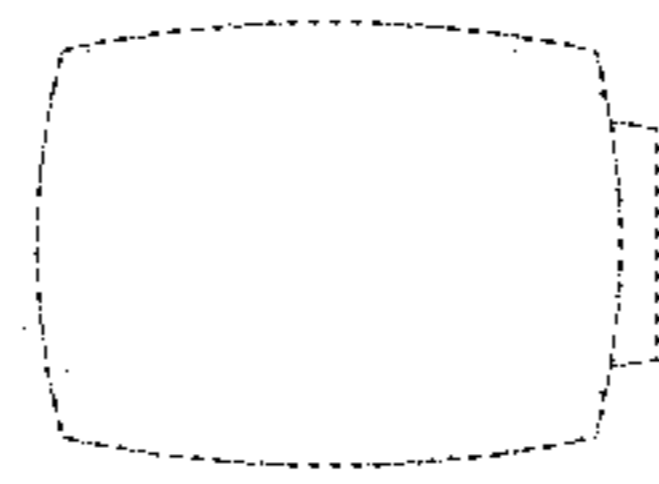


FIG. 2

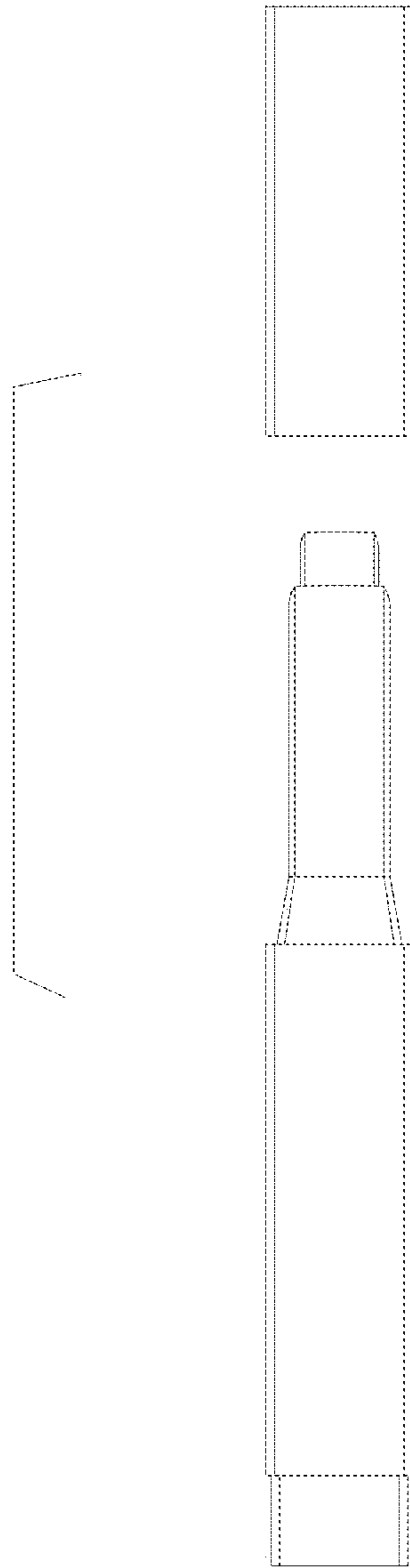


FIG. 3

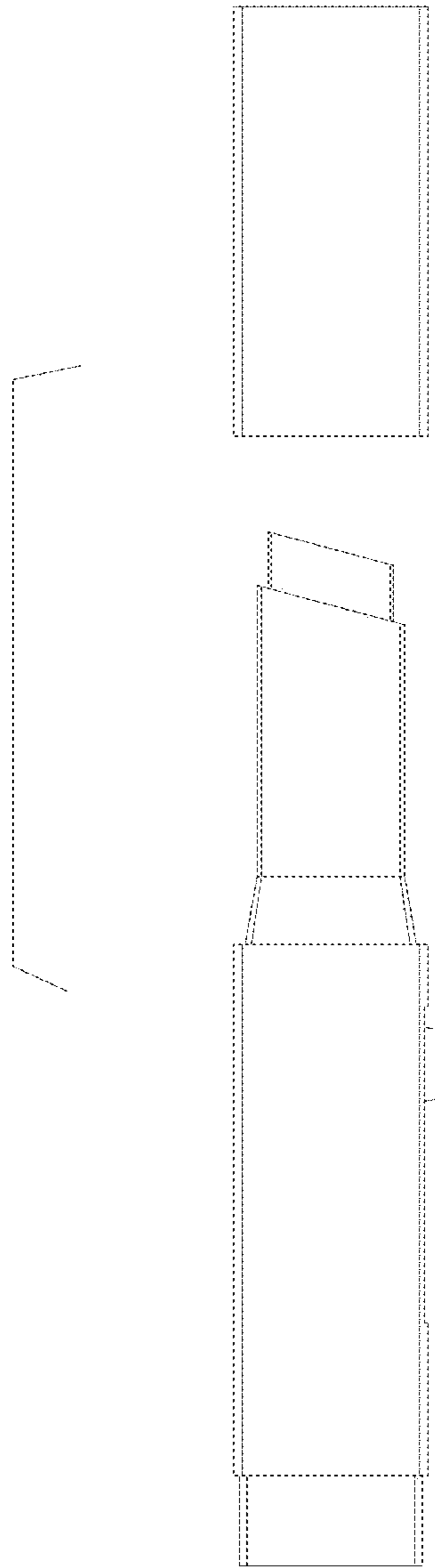


FIG. 4

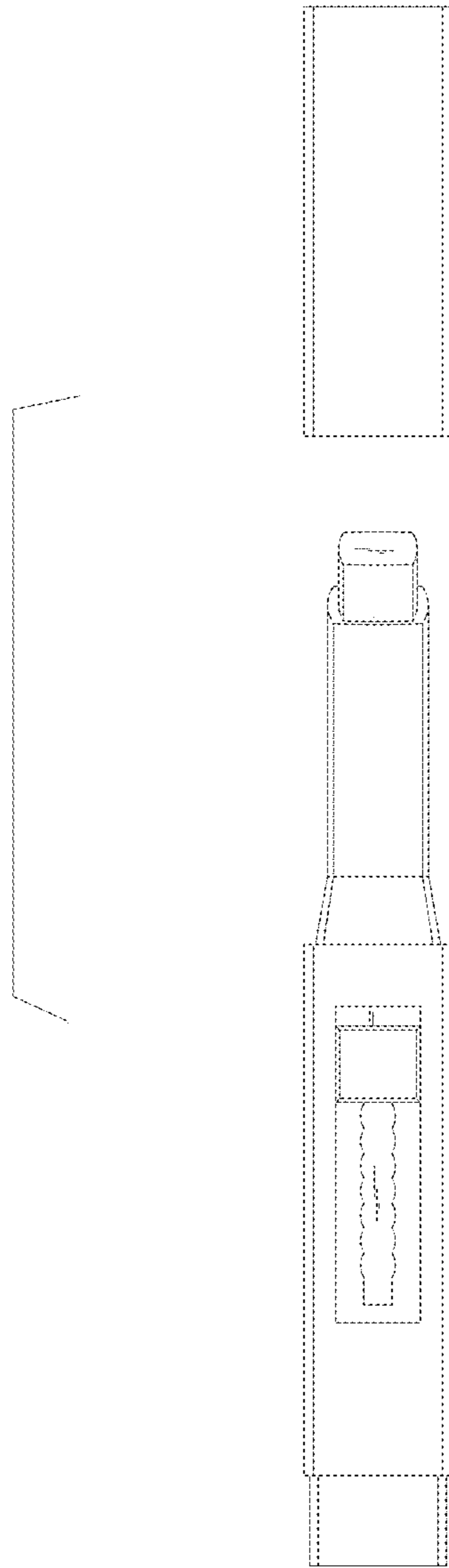


FIG. 5

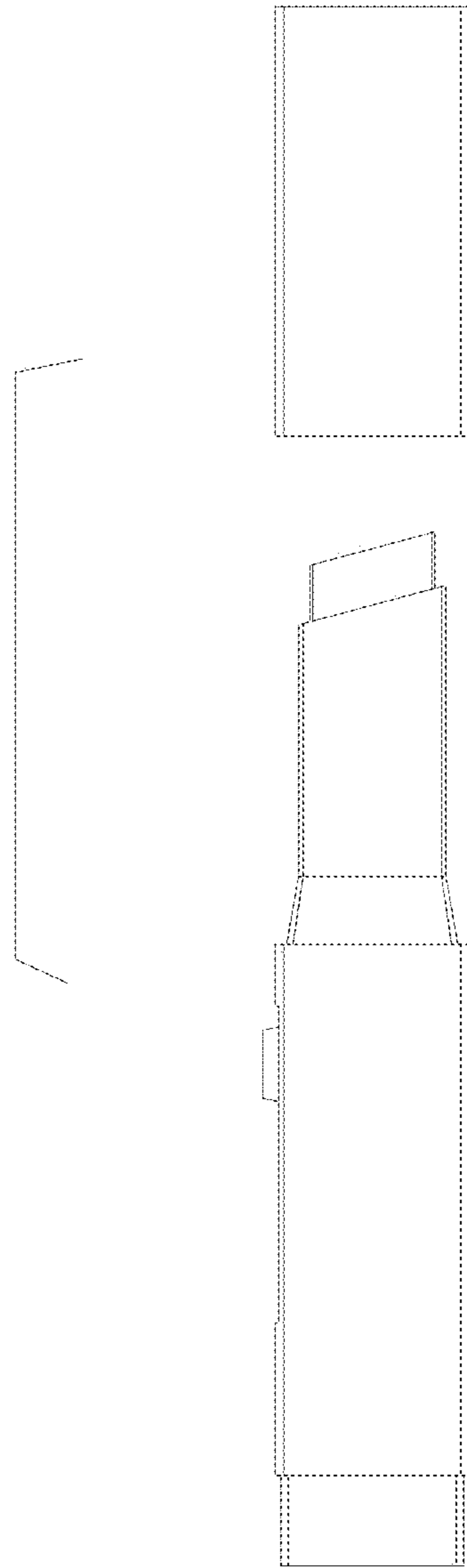


FIG. 6

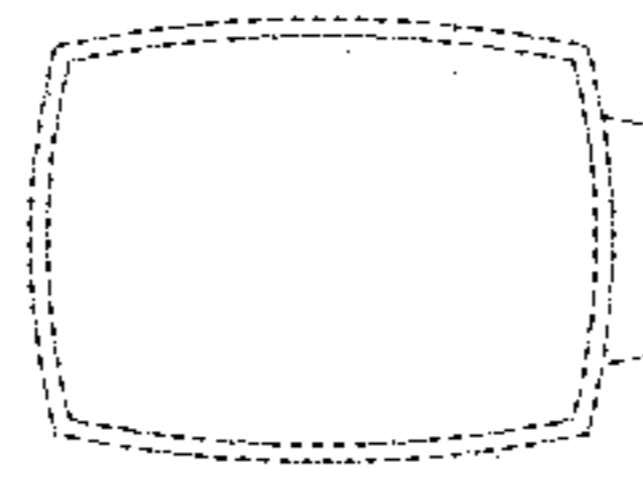


FIG. 7