



US00D965225S

(12) **United States Design Patent** (10) **Patent No.:** **US D965,225 S**  
**Niknia** (45) **Date of Patent:** **\*\* Sep. 27, 2022**

(54) **FLOSSING APPARATUS**  
(71) Applicant: **Kaveh Niknia**, Laguna Beach, CA (US)  
(72) Inventor: **Kaveh Niknia**, Laguna Beach, CA (US)  
(\*\*) Term: **15 Years**  
(21) Appl. No.: **29/813,078**  
(22) Filed: **Oct. 26, 2021**  
(51) **LOC (13) Cl.** ..... **28-03**  
(52) **U.S. Cl.**  
USPC ..... **D28/66**  
(58) **Field of Classification Search**  
USPC ..... D28/65-68; D24/152  
CPC ..... A61C 15/00; A61C 15/04; A61C 15/046;  
A61C 15/047; A61C 15/048  
See application file for complete search history.

(56) **References Cited**  
**U.S. PATENT DOCUMENTS**  
1,559,320 A 10/1925 Hirsh  
2,180,522 A 11/1939 Henne  
D137,450 S 3/1944 Fairbanks  
2,981,264 A 4/1961 De Felice  
D216,545 S 2/1970 Russell  
3,696,821 A 10/1972 Adams  
3,831,611 A 8/1974 Hendricks  
4,016,892 A 4/1977 Chodorow  
4,050,470 A 9/1977 Miller  
4,403,625 A 9/1983 Sanders  
4,519,408 A 5/1985 Charatan  
4,638,824 A 1/1987 De La Hoz  
D308,120 S 5/1990 Monheim  
4,926,820 A 5/1990 Wearn  
4,974,614 A 12/1990 Selker  
4,986,289 A 1/1991 McWhorter  
D316,163 S 4/1991 Brewer  
D322,491 S 12/1991 Huskey  
(Continued)

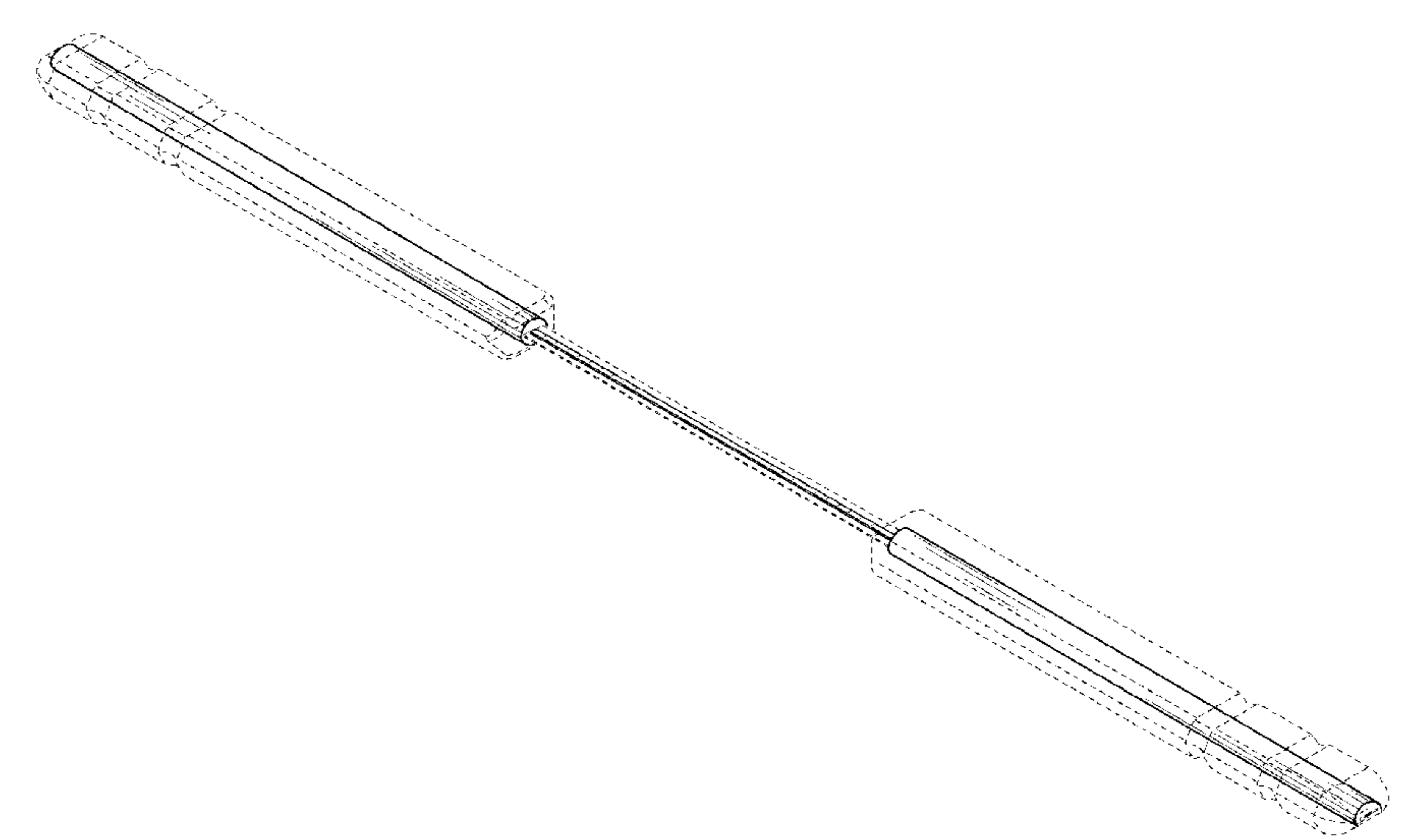
**FOREIGN PATENT DOCUMENTS**  
WO 2018062553 A1 4/2018

*Primary Examiner* — Zenia I Bennett  
(74) *Attorney, Agent, or Firm* — QuickPatents, LLC;  
Kevin Prince

(57) **CLAIM**  
The ornamental design for a flossing apparatus, as shown and described.

**DESCRIPTION**  
FIG. 1 is a perspective view of a flossing apparatus, showing a first embodiment of my new design;  
FIG. 2 is an enlarged top plan view of FIG. 1, the bottom plan view being a mirror image thereof;  
FIG. 3 is a front elevational view of FIG. 1, the rear elevational view being a mirror image thereof;  
FIG. 4 is a left-side elevational view of FIG. 1, the right-side elevational view being a mirror image thereof;  
FIG. 5 is a cross-sectional view thereof, taken along line 5--5 of FIG. 4;  
FIG. 6 is a cross-sectional view thereof, taken along line 6--6 of FIG. 4;  
FIG. 7 is a perspective view of a second embodiment thereof;  
FIG. 8 is an enlarged top plan view of FIG. 7, the bottom plan view being a mirror image thereof;  
FIG. 9 is a front elevational view of FIG. 7, the rear elevational view being a mirror image thereof;  
FIG. 10 is a left-side elevational view of FIG. 7, the right-side elevational view being a mirror image thereof;  
FIG. 11 is a cross-sectional view thereof, taken along line 11--11 of FIG. 10; and,  
FIG. 12 is a cross-sectional view thereof, taken along line 12--12 of FIG. 10.  
The broken lines represent portions of the flossing apparatus that form no part of the claimed design. The second embodiment illustrates the flossing apparatus of the first embodiment but with two transparent handles.

**1 Claim, 8 Drawing Sheets**



(56)

References Cited

U.S. PATENT DOCUMENTS

D323,722 S	2/1992	Lott	D684,724 S	6/2013	Tokui	
5,086,792 A	2/1992	Chodorow	D714,495 S	9/2014	Miyawaki	
5,123,432 A	6/1992	Wyss	9,265,593 B2	2/2016	Stewart	
5,199,452 A	4/1993	Cheng	9,271,814 B2	3/2016	Allen	
5,224,501 A	7/1993	McKenzie	9,277,976 B2	3/2016	Lorch	
5,246,021 A	9/1993	Katz	D771,316 S	11/2016	Kaye	
D350,415 S	9/1994	Wagner	9,717,574 B2	8/2017	Amron	
D358,001 S	5/1995	Ramsey	D814,704 S	4/2018	Triato	
5,435,330 A	7/1995	Dix	9,937,025 B2	4/2018	Pinto	
5,454,386 A	10/1995	Dix	D901,778 S	11/2020	Pardon, Jr.	
5,469,874 A	11/1995	Meyer	D933,897 S	10/2021	Quebatay	
5,503,168 A	4/1996	Wang	D933,898 S	10/2021	Kraft	
5,564,446 A	10/1996	Wiltshire	2004/0250834 A1	12/2004	Bowsher	
5,570,710 A	11/1996	Wei	2006/0070636 A1*	4/2006	Peters .....	A61C 15/046 132/324
5,678,579 A	10/1997	Meyer	2008/0178904 A1	7/2008	Peters	
5,685,325 A	11/1997	Wei	2009/0020134 A1	1/2009	Tomsic	
5,692,532 A	12/1997	Gabrovsek	2010/0018547 A1	1/2010	Roemuss	
5,718,252 A	2/1998	Wei	2011/0155168 A1	6/2011	Chung	
5,765,577 A	6/1998	Wei	2012/0111349 A1*	5/2012	Bowsher .....	A61C 15/046 2/21
5,829,458 A	11/1998	Chodorow	2012/0199159 A1	8/2012	Lorch	
D406,395 S	3/1999	Marin	2012/0216825 A1	8/2012	Jones	
6,019,109 A	2/2000	Moore	2012/0325263 A1	12/2012	Bornstein	
6,055,993 A	5/2000	Meyer	2013/0061864 A1	3/2013	Orma	
6,065,480 A	5/2000	Mader	2013/0081649 A1	4/2013	Royzen	
6,131,586 A	10/2000	Flanagan	2014/0048096 A1*	2/2014	Allen .....	A61C 15/046 29/433
6,220,257 B1	4/2001	Meyer	2014/0090662 A1	4/2014	Allen	
D463,627 S	9/2002	Lang	2015/0297326 A1	10/2015	Amron	
7,464,716 B1*	12/2008	Nygren, Jr. ....	2016/0128814 A1	5/2016	Stewart	
			2016/0166364 A1	6/2016	Goldston	
			2016/0235507 A1	8/2016	Lee	
			2016/0324607 A1*	11/2016	Kaye .....	A61C 15/046
D607,152 S	12/2009	Chodorow	2017/0281322 A1*	10/2017	Pinto .....	A61C 15/04
D641,865 S	7/2011	Phillips	2020/0237488 A1*	7/2020	Chodorow .....	A61C 15/046
8,127,778 B1	3/2012	David	2021/0186670 A1	6/2021	Gray	
8,146,608 B2	4/2012	Chung				
D665,534 S	8/2012	Stewart				

\* cited by examiner

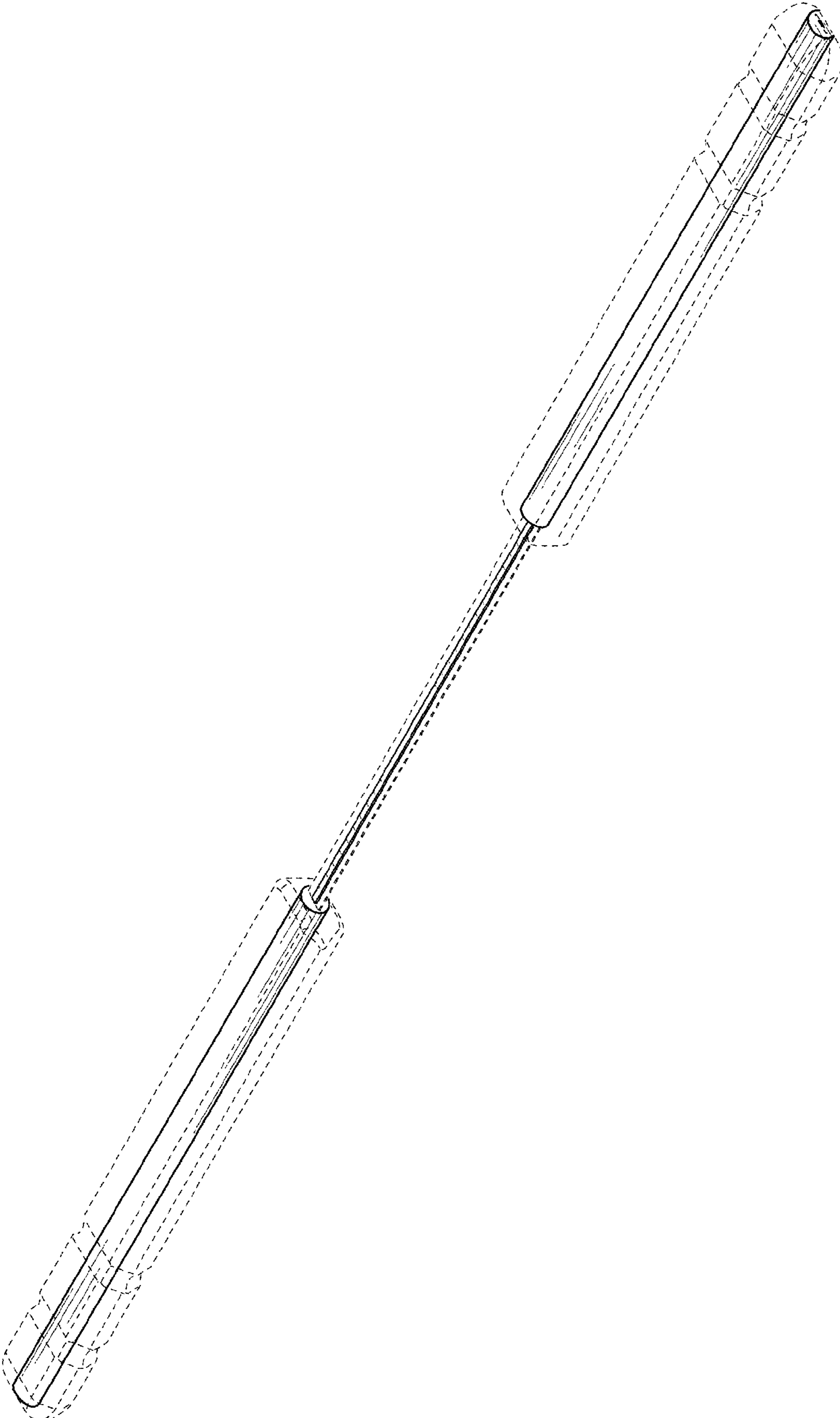


FIG. 1

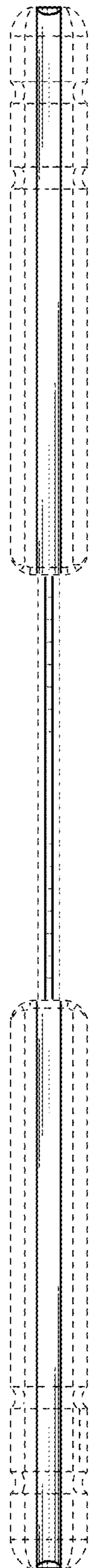


FIG. 2



FIG. 3

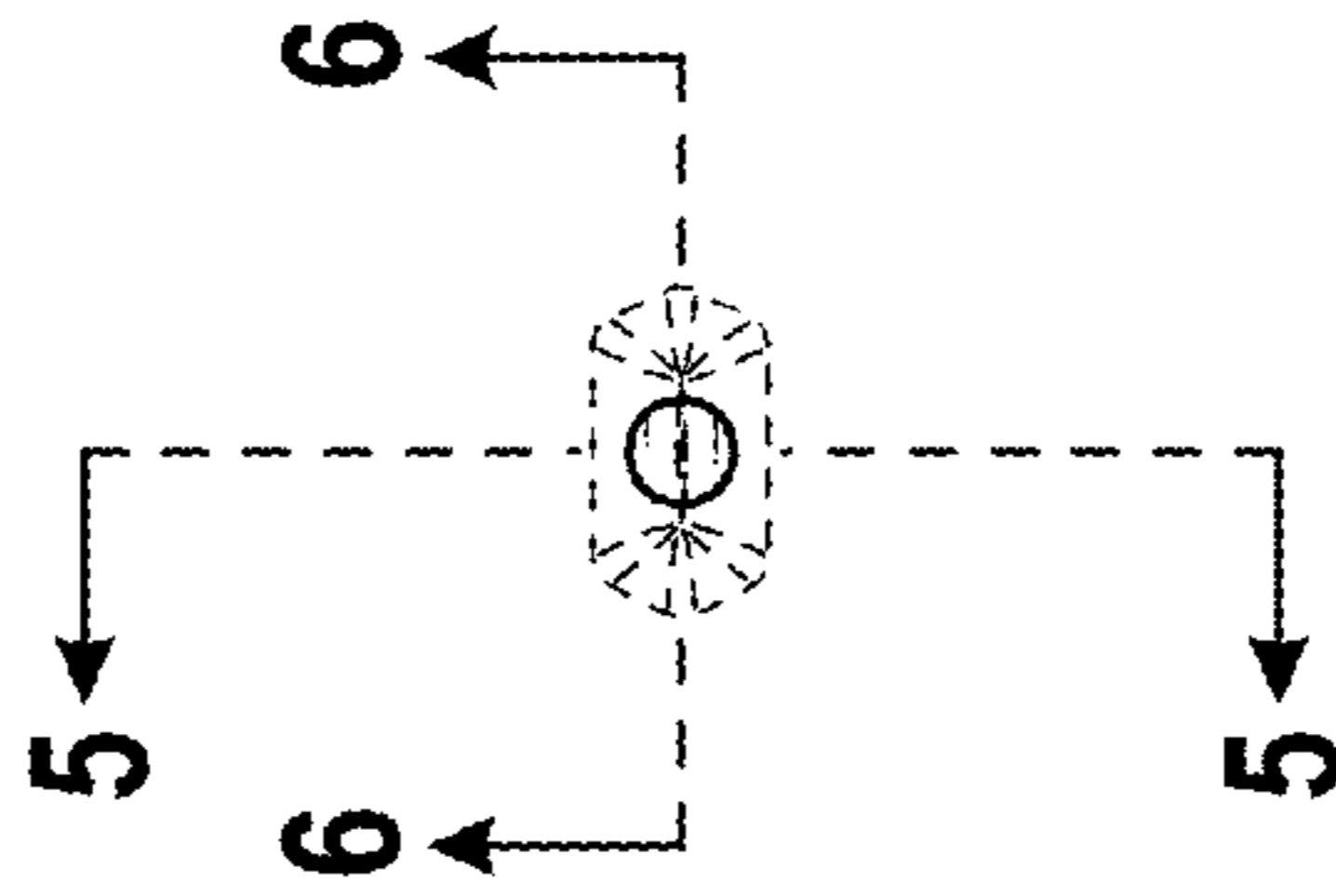


FIG. 4



FIG. 5

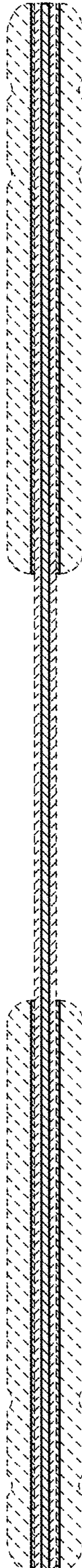


FIG. 6

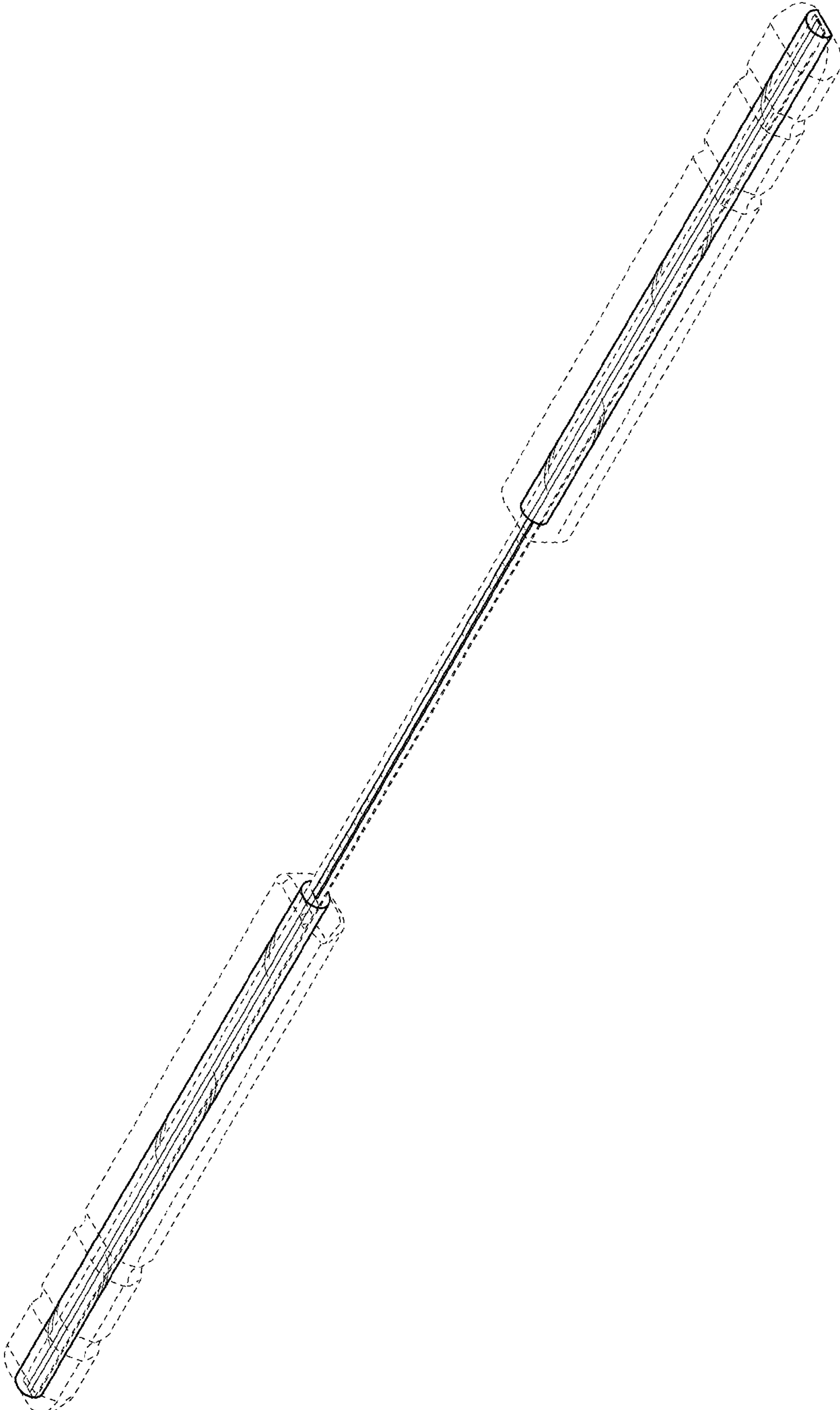


FIG. 7

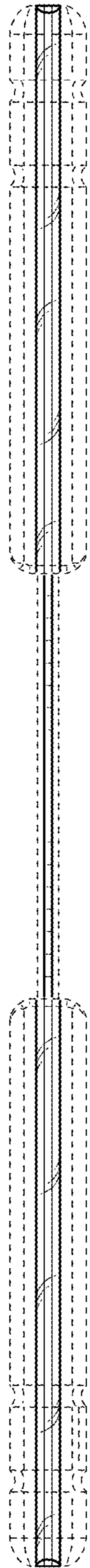


FIG. 8



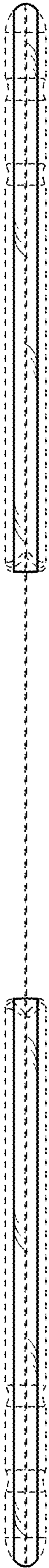


FIG. 9

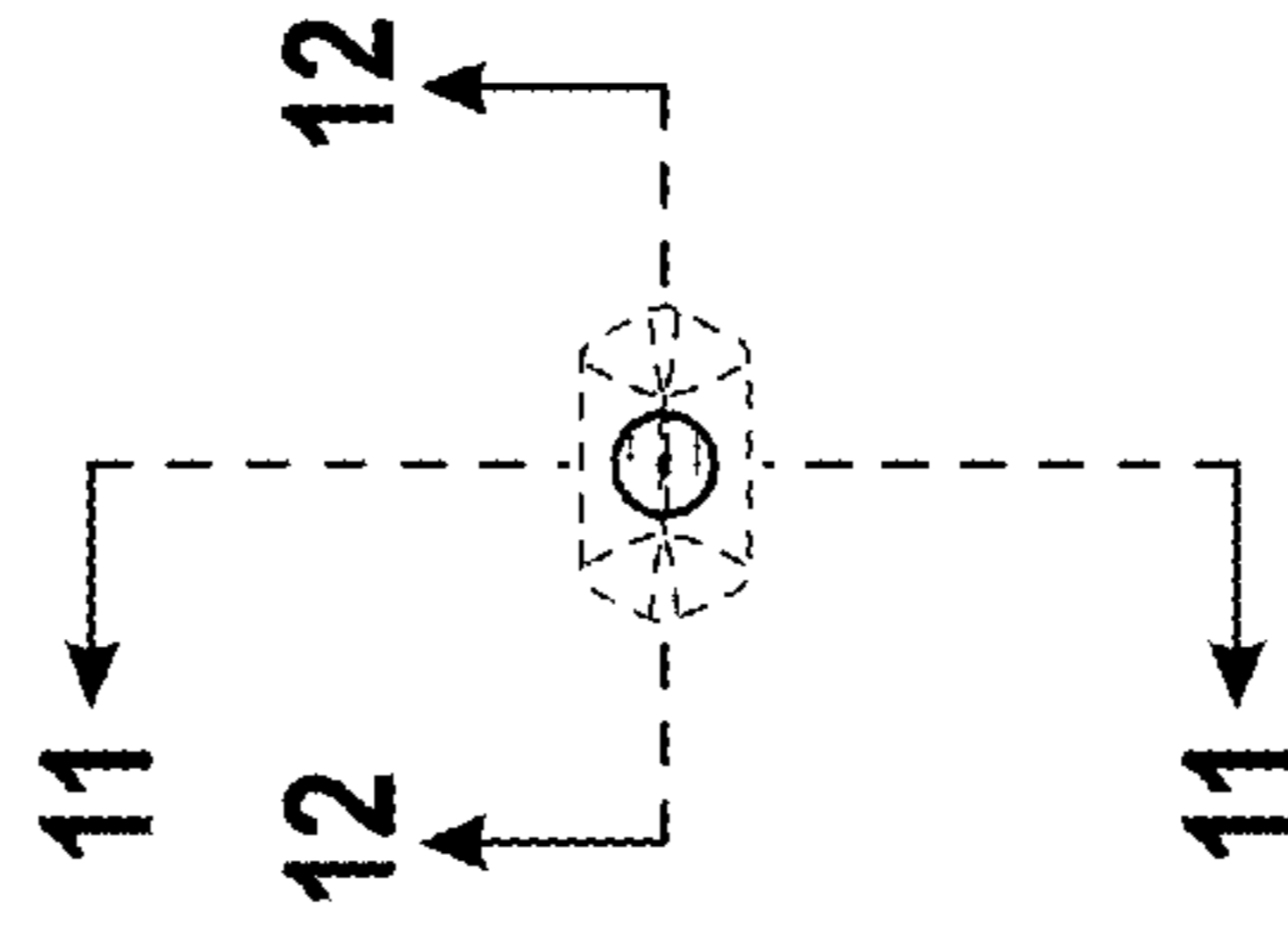


FIG. 10

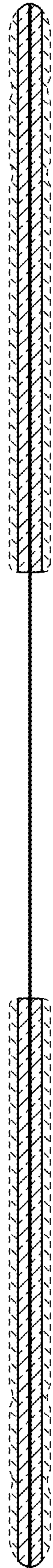


FIG. 11

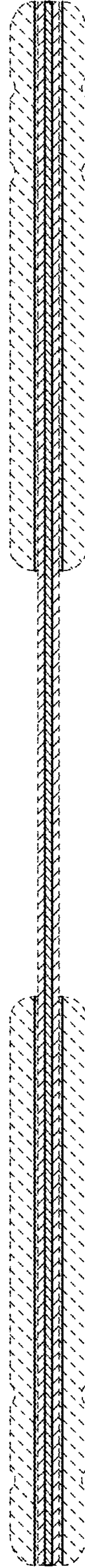


FIG. 12