



US00D965224S

(12) **United States Design Patent**  
**Lui et al.**

(10) **Patent No.:** **US D965,224 S**

(45) **Date of Patent:** **\*\* Sep. 27, 2022**

(54) **ROLLER HEAD**

(71) Applicant: **Scholl's Wellness Company Limited,**  
London (GB)

(72) Inventors: **Benjamin Lui, Hull (GB); Rhys Williams, Hull (GB); Christopher Witty, Hull (GB)**

(73) Assignee: **Scholl's Wellness Company Limited,**  
Bracknell (GB)

(\*\*) Term: **15 Years**

(21) Appl. No.: **29/736,059**

(22) Filed: **May 27, 2020**

(30) **Foreign Application Priority Data**

Nov. 29, 2019 (EM) ..... 007311378-0002

(51) **LOC (13) Cl.** ..... **28-03**

(52) **U.S. Cl.**  
USPC ..... **D28/62**

(58) **Field of Classification Search**  
USPC ..... D28/58, 62; D24/214; D4/122  
CPC ..... A61B 17/54; A61B 2017/320004; A45D 29/06; A45D 29/00; A45D 29/04-05  
See application file for complete search history.

(56) **References Cited**

**U.S. PATENT DOCUMENTS**

D726,372 S \* 4/2015 Yiu ..... A45D 44/00  
D28/62  
D751,253 S \* 3/2016 Hollinger ..... D28/59

D752,812 S \* 3/2016 Sivan ..... D28/59  
D780,997 S \* 3/2017 Leventhal ..... D28/59  
D781,498 S \* 3/2017 Pel ..... D28/59  
D820,522 S \* 6/2018 Colin ..... D28/59  
D824,596 S \* 7/2018 Gobber ..... A45D 29/00  
D28/59  
D833,635 S \* 11/2018 Chen ..... D24/214  
D850,724 S \* 6/2019 Luo ..... D28/59  
D865,293 S \* 10/2019 Adams ..... D28/59  
D865,295 S \* 10/2019 Adams ..... D28/62  
D921,368 S \* 6/2021 Muir ..... D4/122  
2018/0055540 A1 \* 3/2018 Yiu ..... A61B 17/54

\* cited by examiner

*Primary Examiner* — Jennifer Rivard

(74) *Attorney, Agent, or Firm* — Lowenstein Sandler LLP

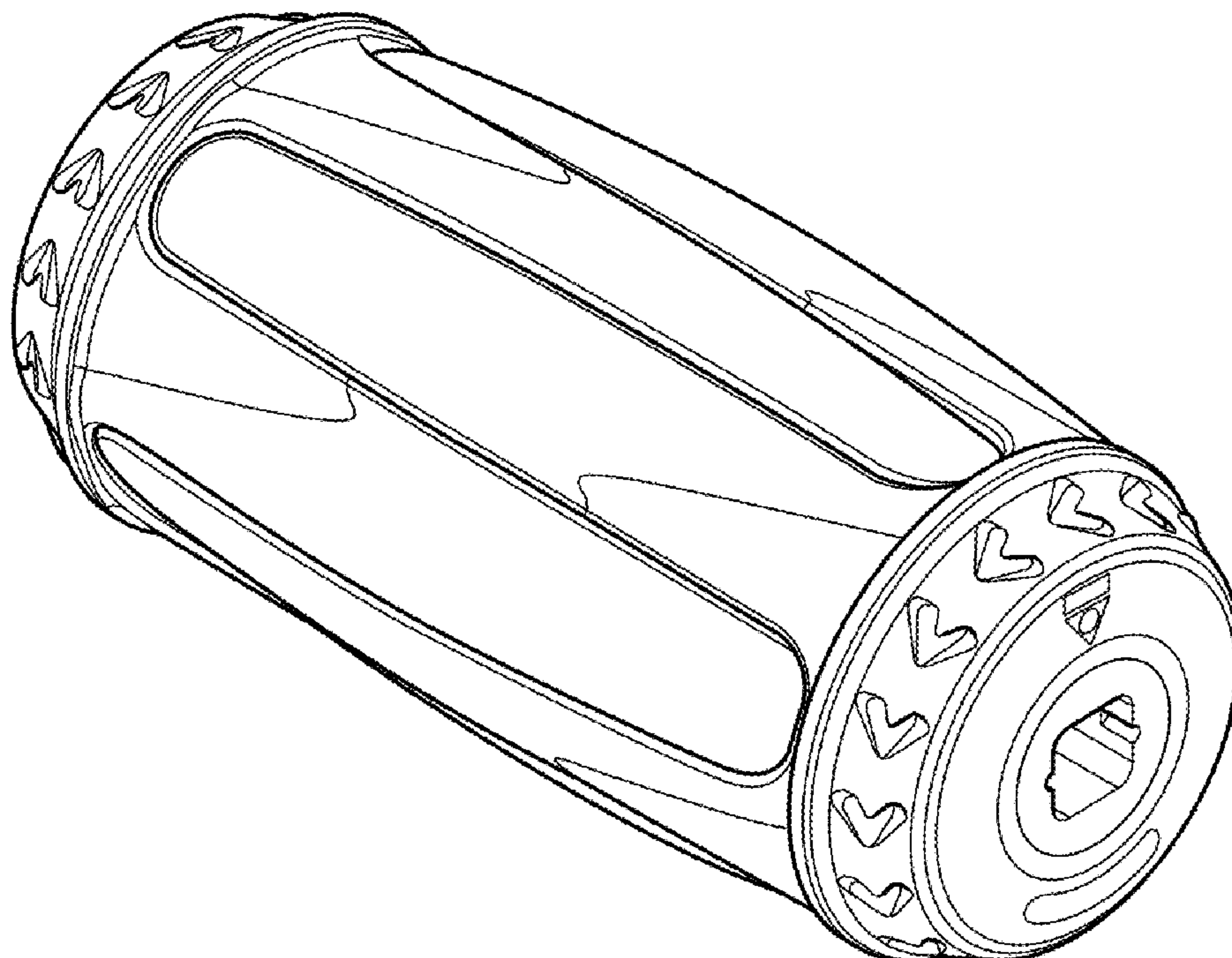
(57) **CLAIM**

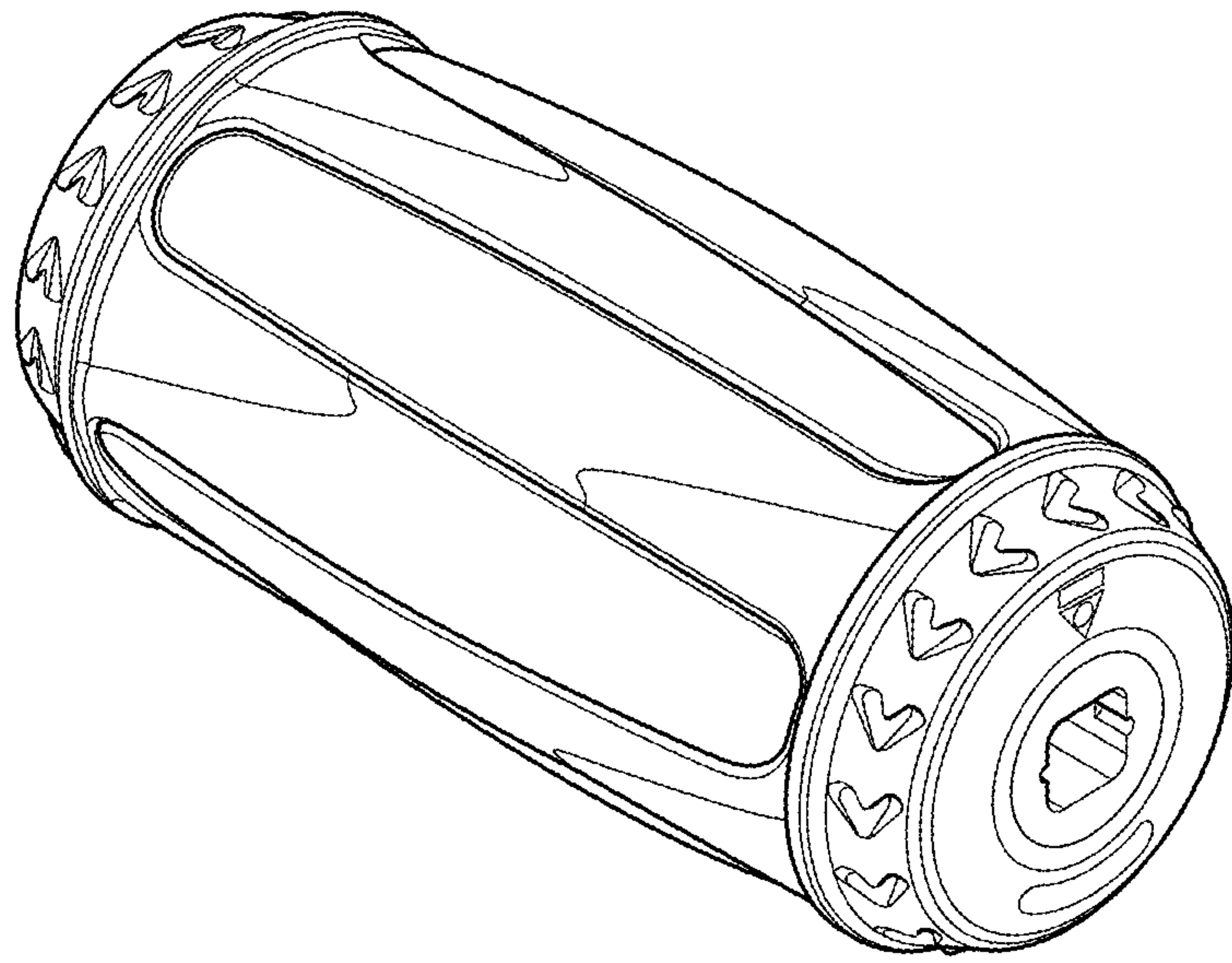
The ornamental design for a roller head, as shown and described.

**DESCRIPTION**

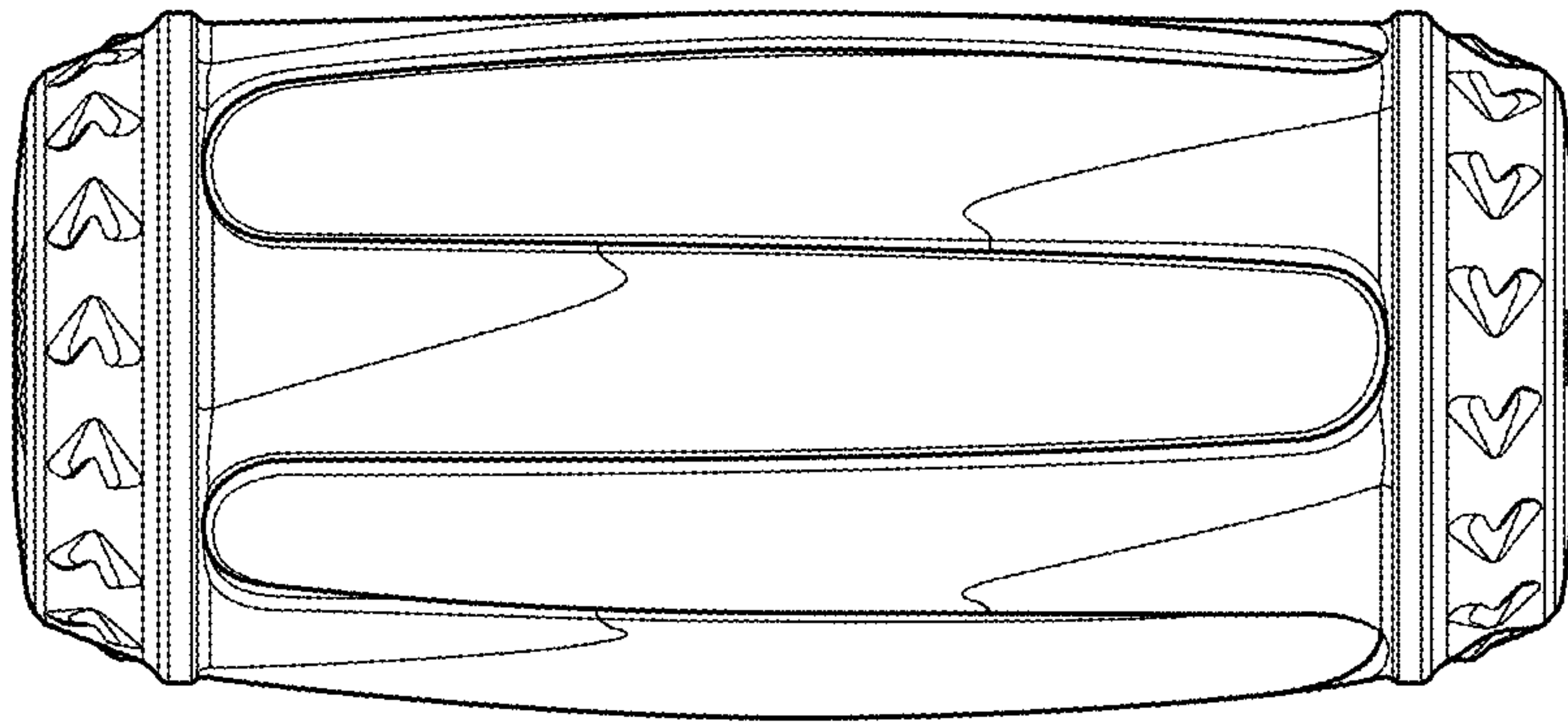
FIG. 1 is a perspective view of a roller head showing our new design;  
FIG. 2 is a front elevation view thereof;  
FIG. 3 is a rear elevation view thereof;  
FIG. 4 is a top plan view thereof;  
FIG. 5 is a bottom plan view thereof;  
FIG. 6 is a right elevation view thereof; and,  
FIG. 7 is a left elevation view thereof.

**1 Claim, 7 Drawing Sheets**

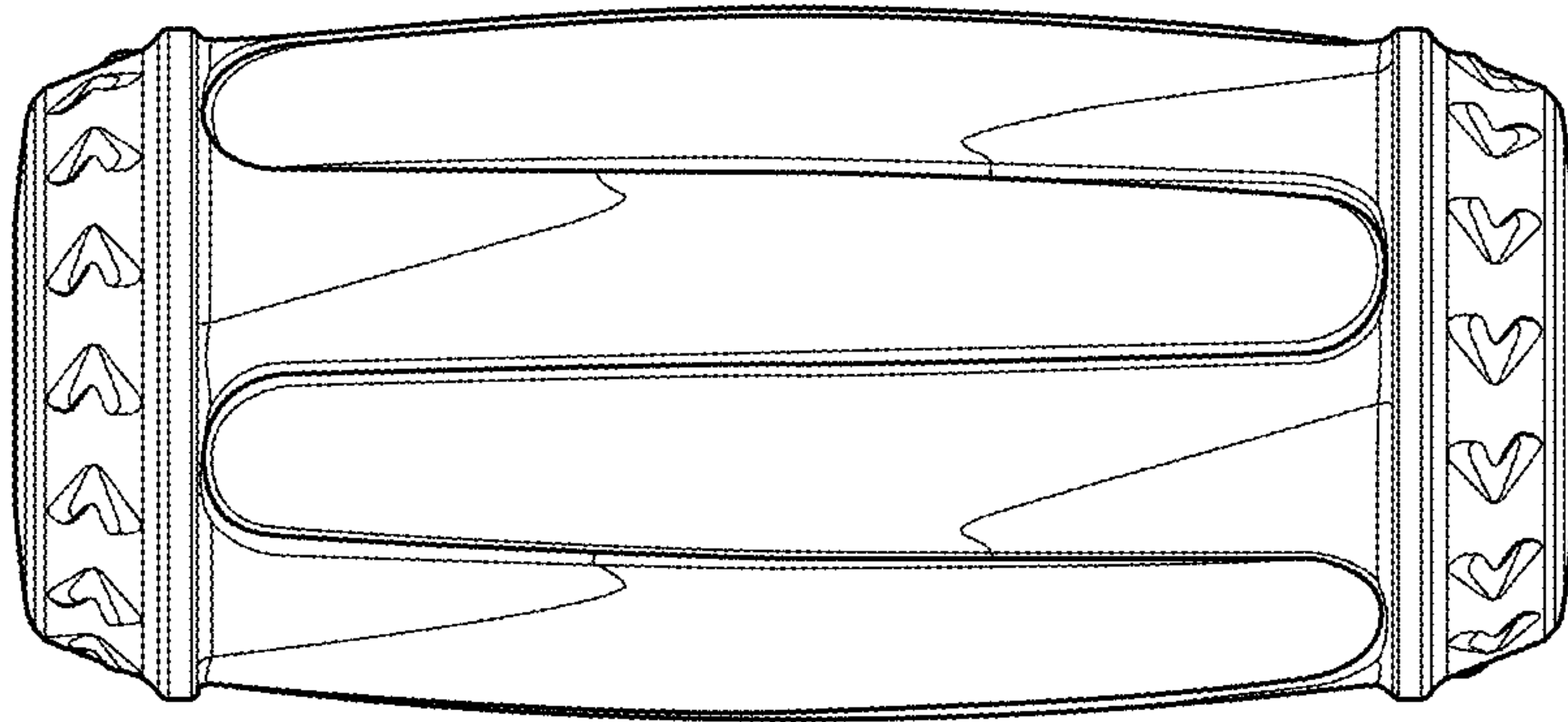




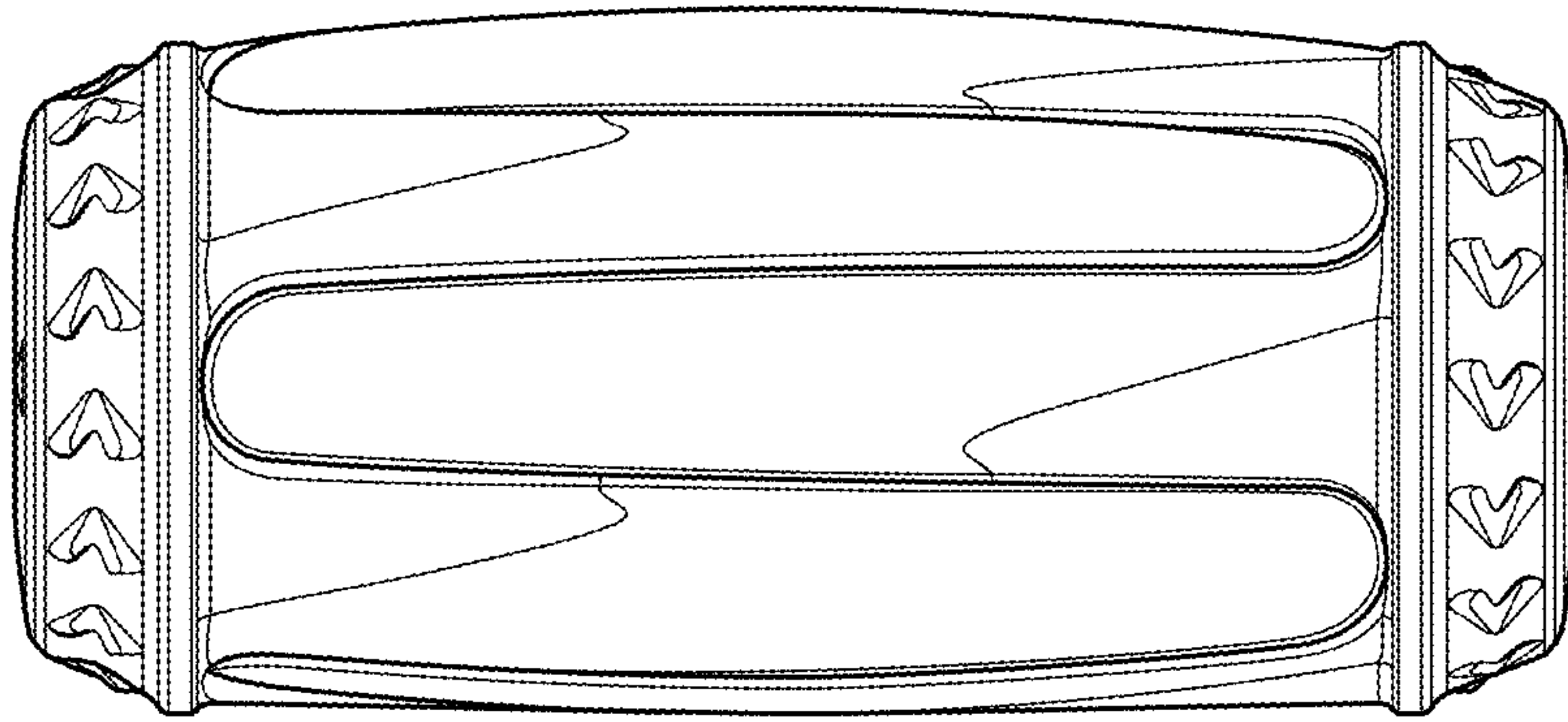
*Fig. 1*



*Fig. 2*

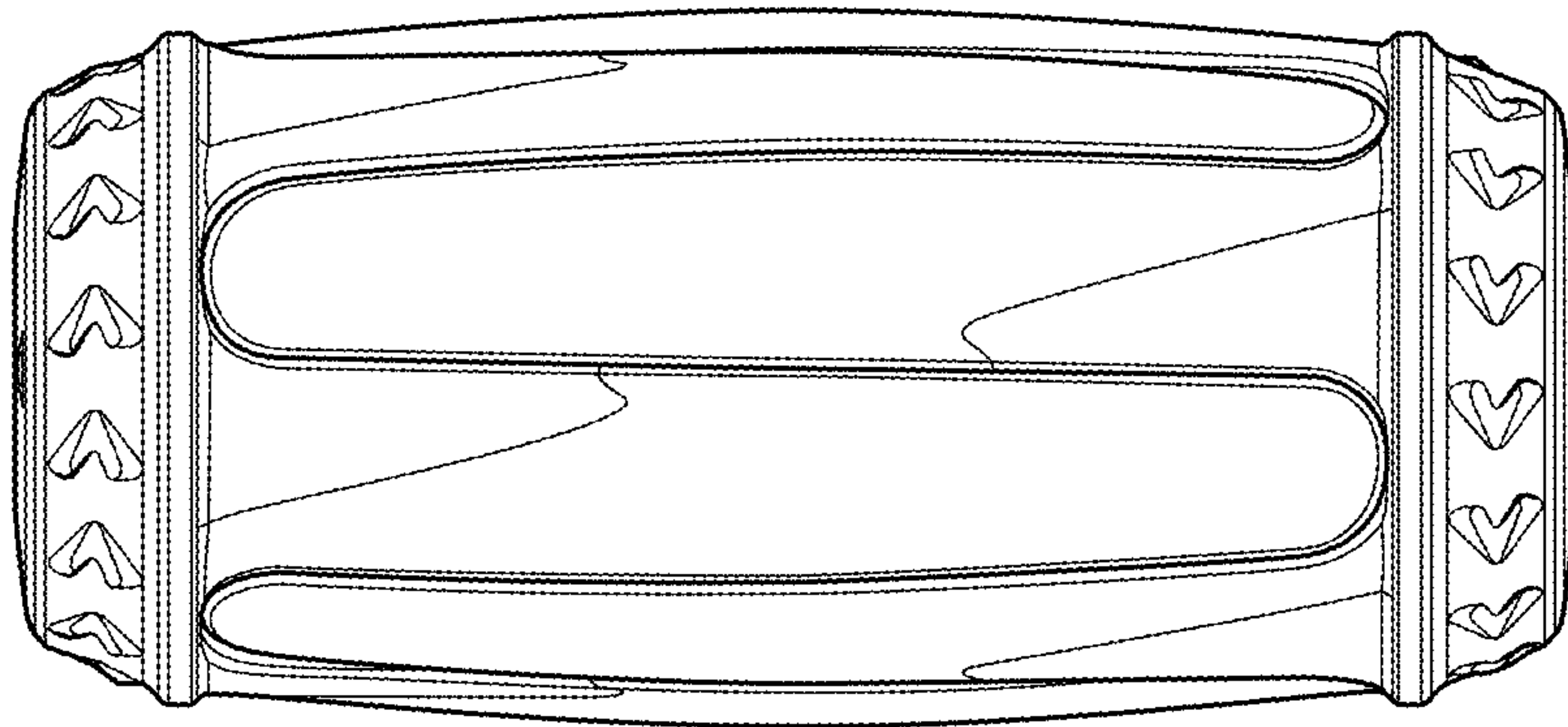


*Fig. 3*

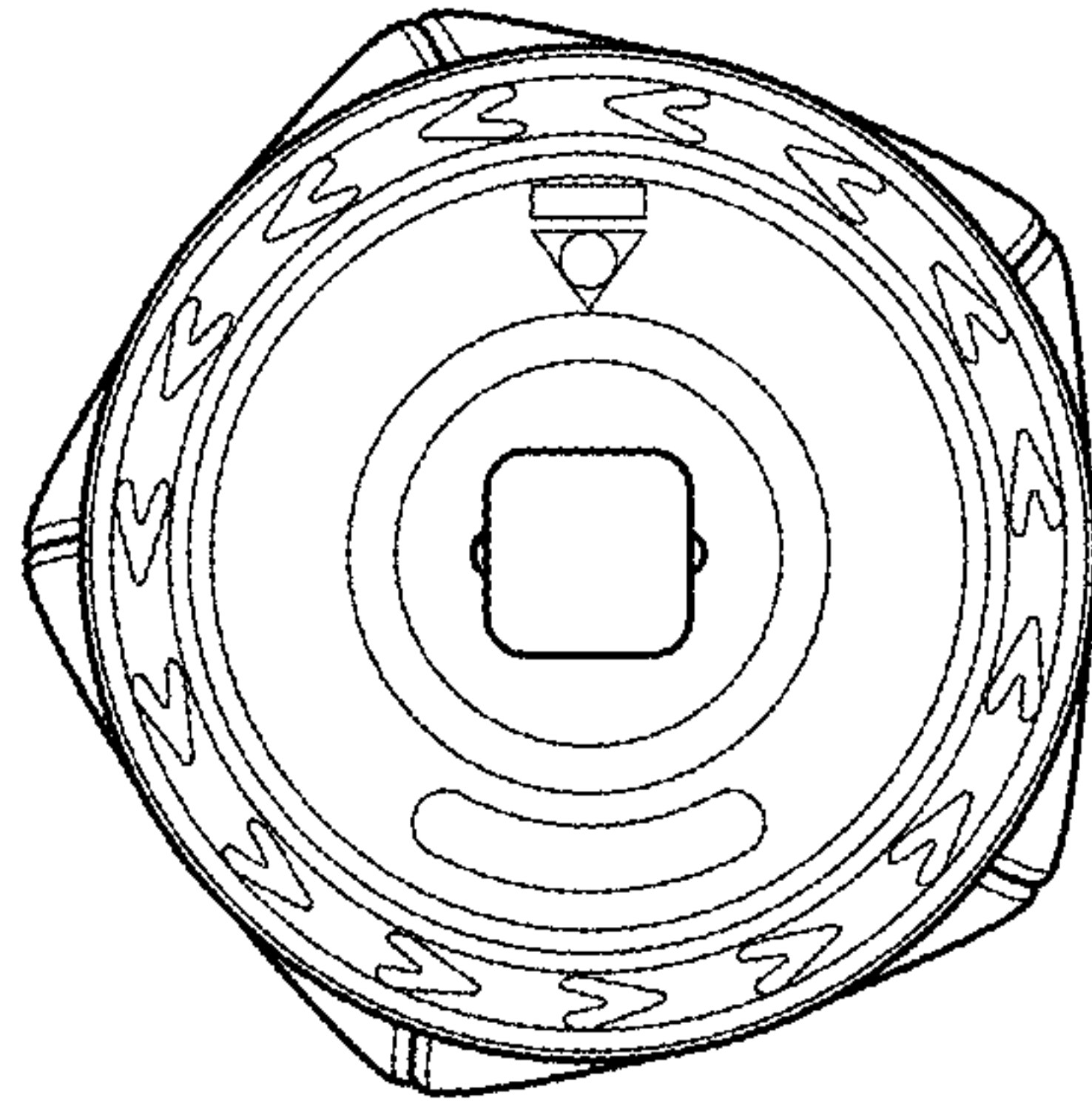


*Fig. 4*

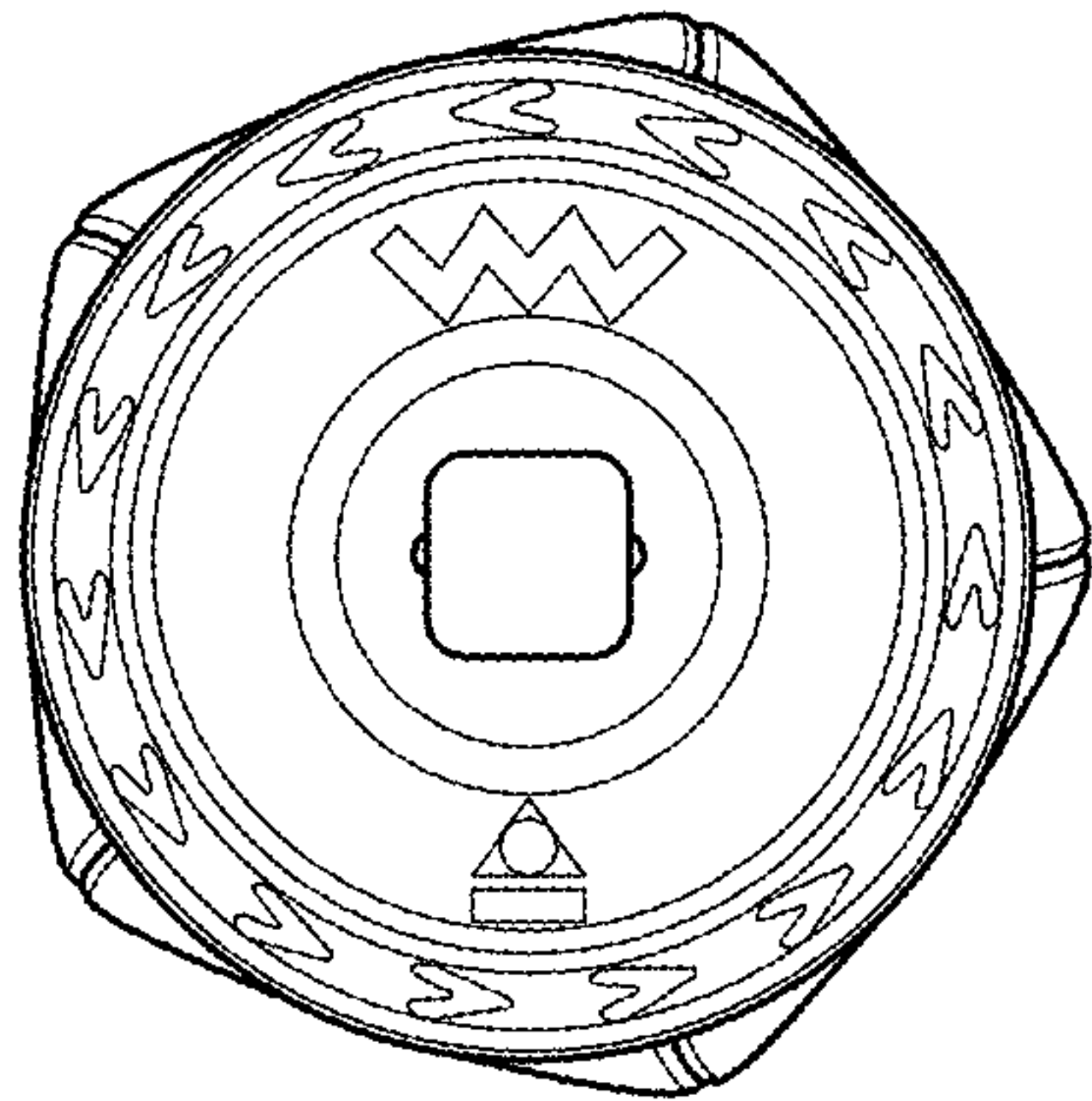




*Fig. 5*



*Fig. 6*



*Fig. 7*