



US00D965222S

(12) **United States Design Patent** (10) **Patent No.:** **US D965,222 S**
Fyfield et al. (45) **Date of Patent:** **** *Sep. 27, 2022**

(54) **RAZOR CARTRIDGE**

(71) Applicant: **The Gillette Company LLC**, Boston, MA (US)

(72) Inventors: **Jahdiel Fyfield**, Roslindale, MA (US); **Matthew Michael Long**, Methuen, MA (US); **Xavier Michael Brissett**, Boston, MA (US)

(73) Assignee: **The Gillette Company LLC**, Boston, MA (US)

(*) Notice: This patent is subject to a terminal disclaimer.

(**) Term: **15 Years**

(21) Appl. No.: **29/731,914**

(22) Filed: **Apr. 20, 2020**

(51) **LOC (13) Cl.** **28-03**

(52) **U.S. Cl.**
USPC **D28/47**

(58) **Field of Classification Search**
USPC D28/46-48
CPC B26B 21/30-32; B26B 21/40-4031; B26B 21/4068-4087; B26B 21/14-20; B26B 21/22-227

See application file for complete search history.

(56) **References Cited**

U.S. PATENT DOCUMENTS

D741,008 S * 10/2015 Bruno D28/47
D741,010 S * 10/2015 Wang D28/47

D741,546 S * 10/2015 Witkus D28/47
10,220,532 B2 * 3/2019 Davos B26B 21/14
D869,767 S * 12/2019 Watson D28/46
10,946,540 B2 * 3/2021 Bozikis B26B 21/4018
D921,984 S * 6/2021 Brissett D28/47
2019/0358837 A1 * 11/2019 Broemse B26B 21/4012
2020/0031005 A1 * 1/2020 Kim B26B 21/4031
2021/0031388 A1 * 2/2021 Xu B26B 21/60
2021/0268676 A1 * 9/2021 Liberatore B26B 21/521

* cited by examiner

Primary Examiner — Jennifer Rivard

(74) *Attorney, Agent, or Firm* — Joanne N. Pappas; Kevin C. Johnson

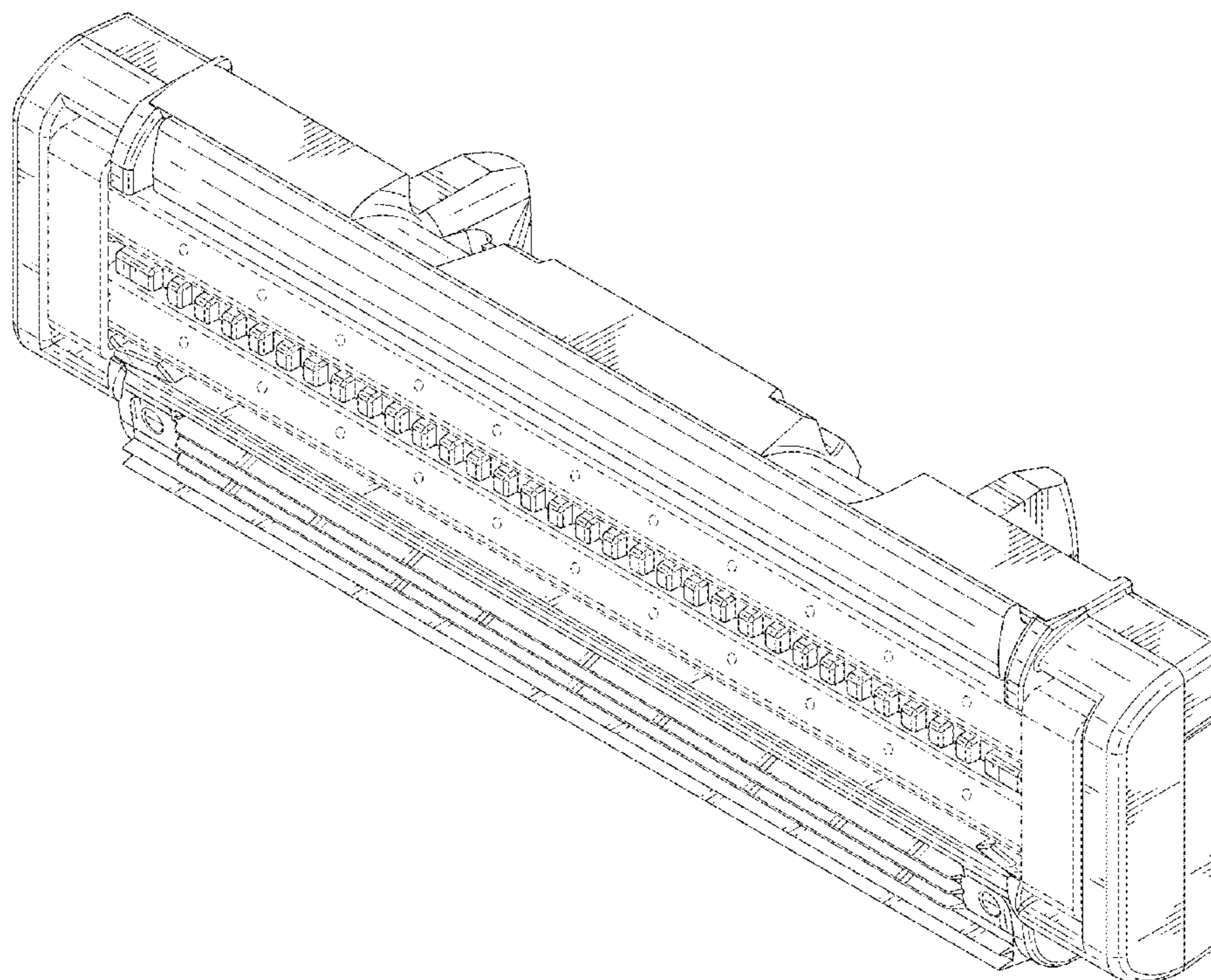
(57) **CLAIM**

The ornamental design for a razor cartridge, as shown and described.

DESCRIPTION

FIG. 1 is a perspective view of a design of a razor cartridge of the present invention;
FIG. 2 is a front view thereof;
FIG. 3 is a back view thereof;
FIG. 4 is a right side view thereof;
FIG. 5 is a left side view thereof;
FIG. 6 is a top view thereof;
FIG. 7 is a bottom view thereof; and,
FIG. 8 is a rear perspective view thereof.
The broken lines illustrate portions of the razor cartridge and form no part of the claimed design.

1 Claim, 6 Drawing Sheets



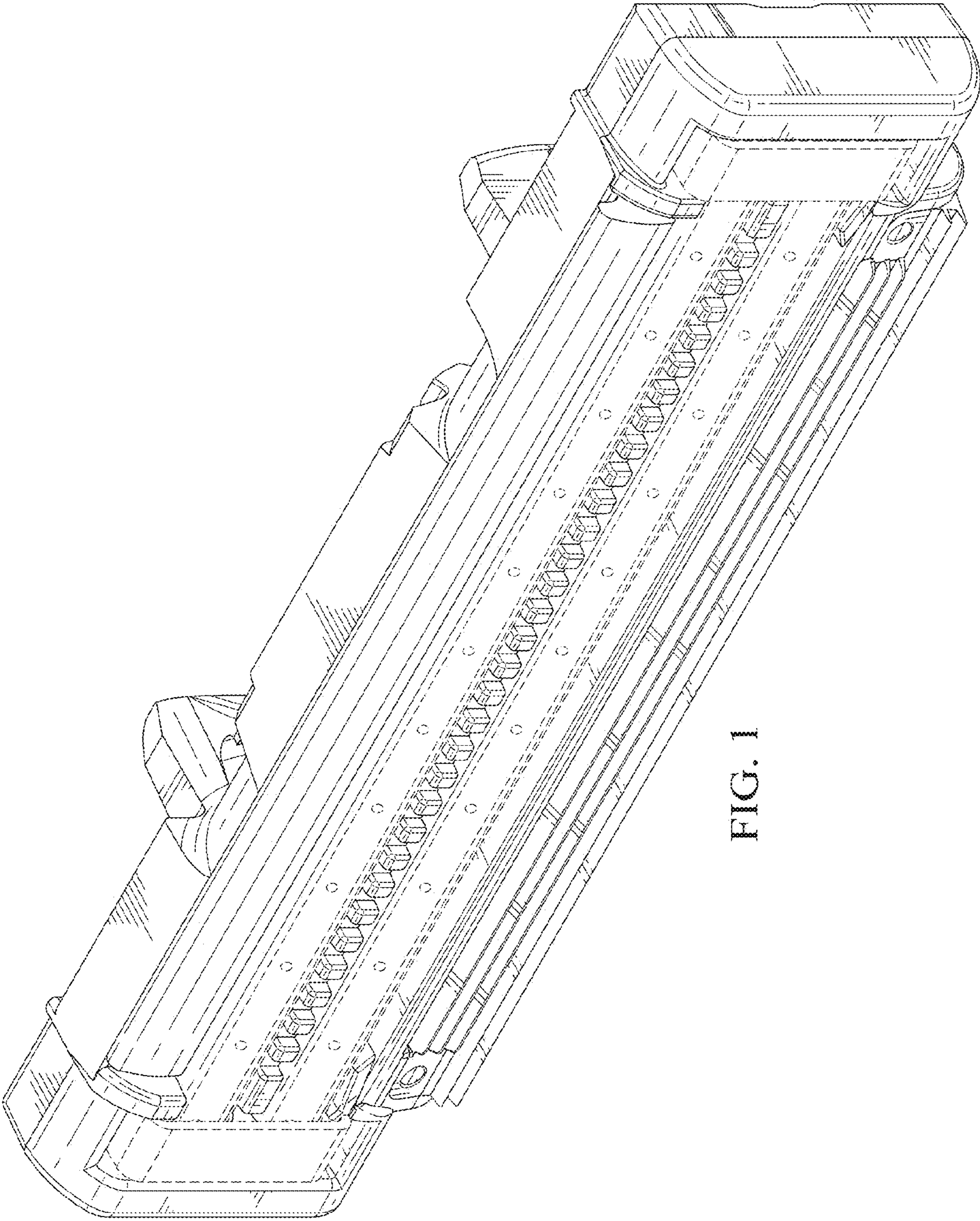


FIG. 1

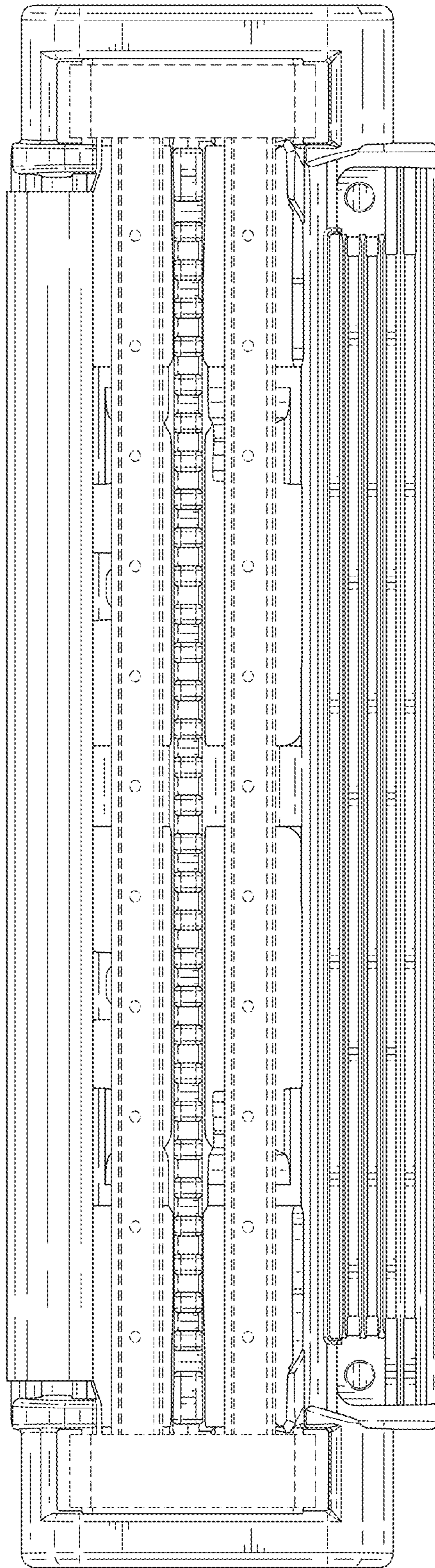


FIG. 2

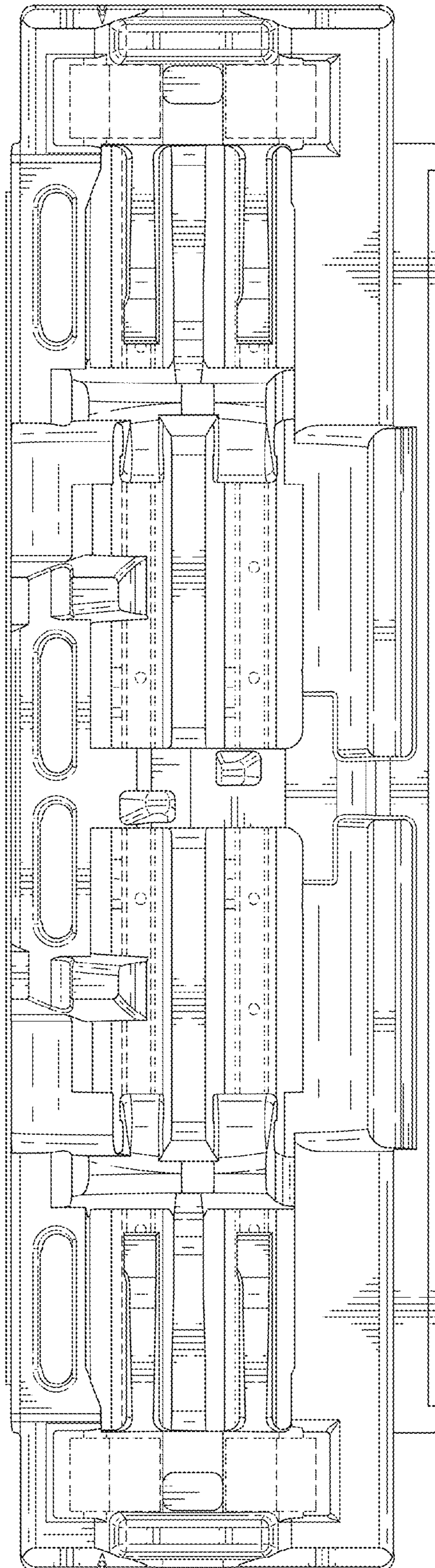


FIG. 3

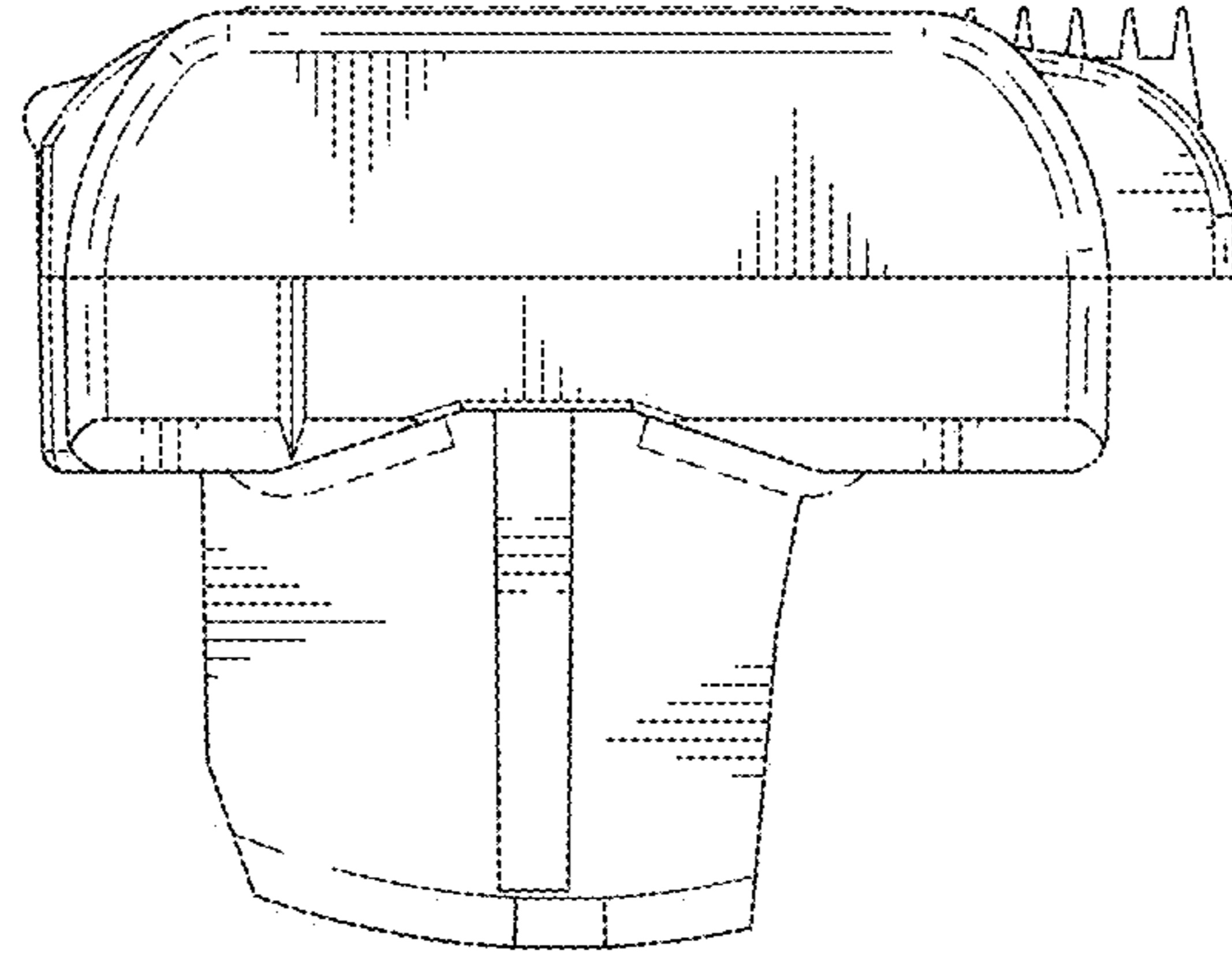


FIG. 5

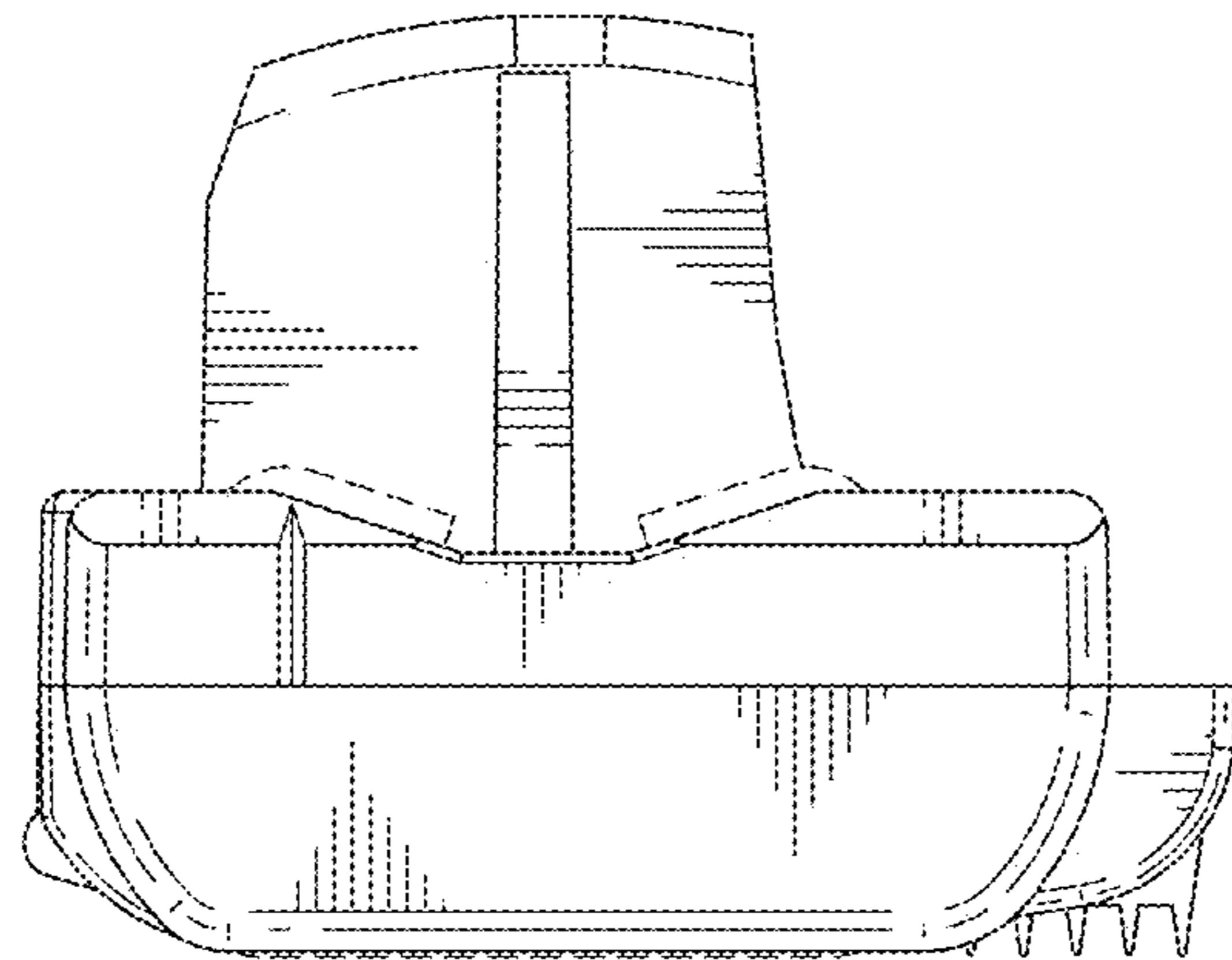


FIG. 4

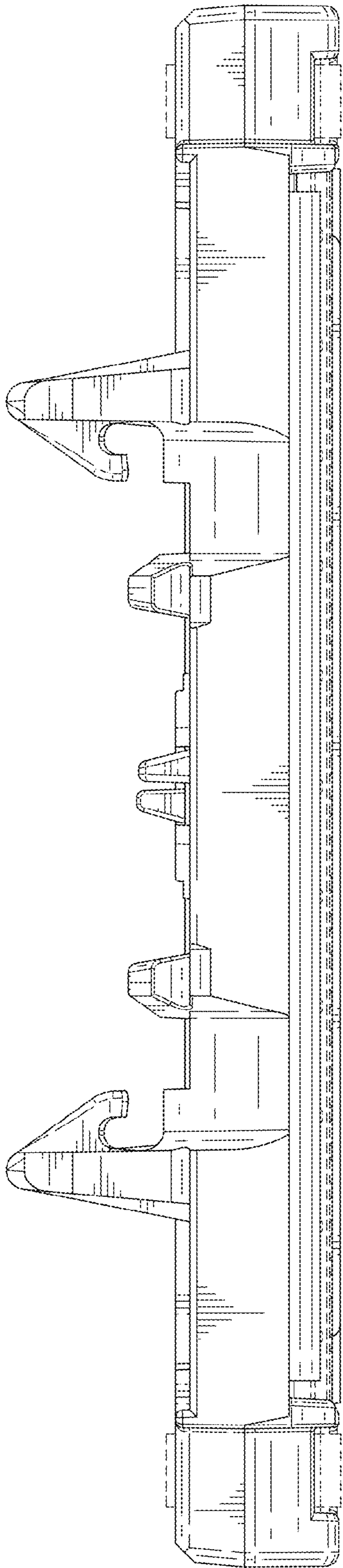


FIG. 6

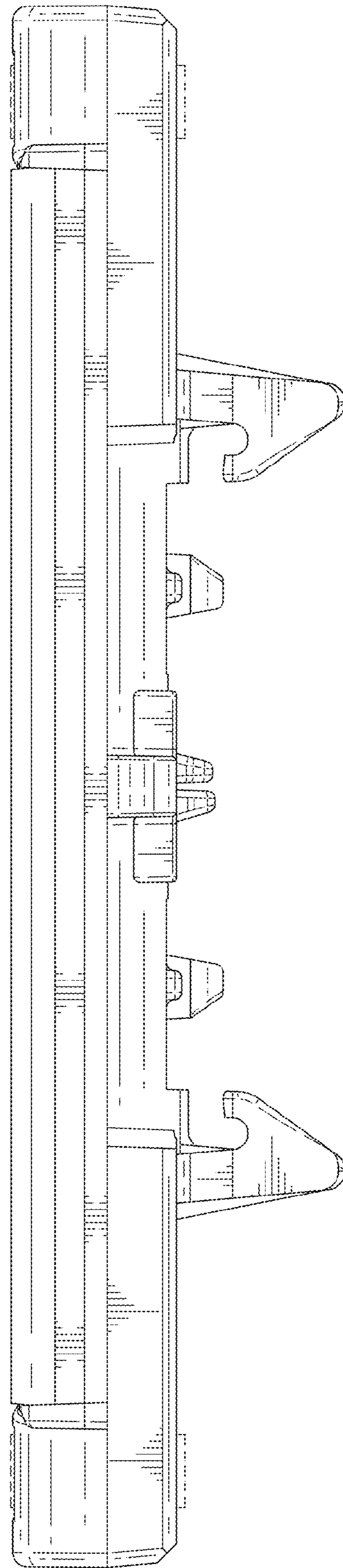


FIG. 7

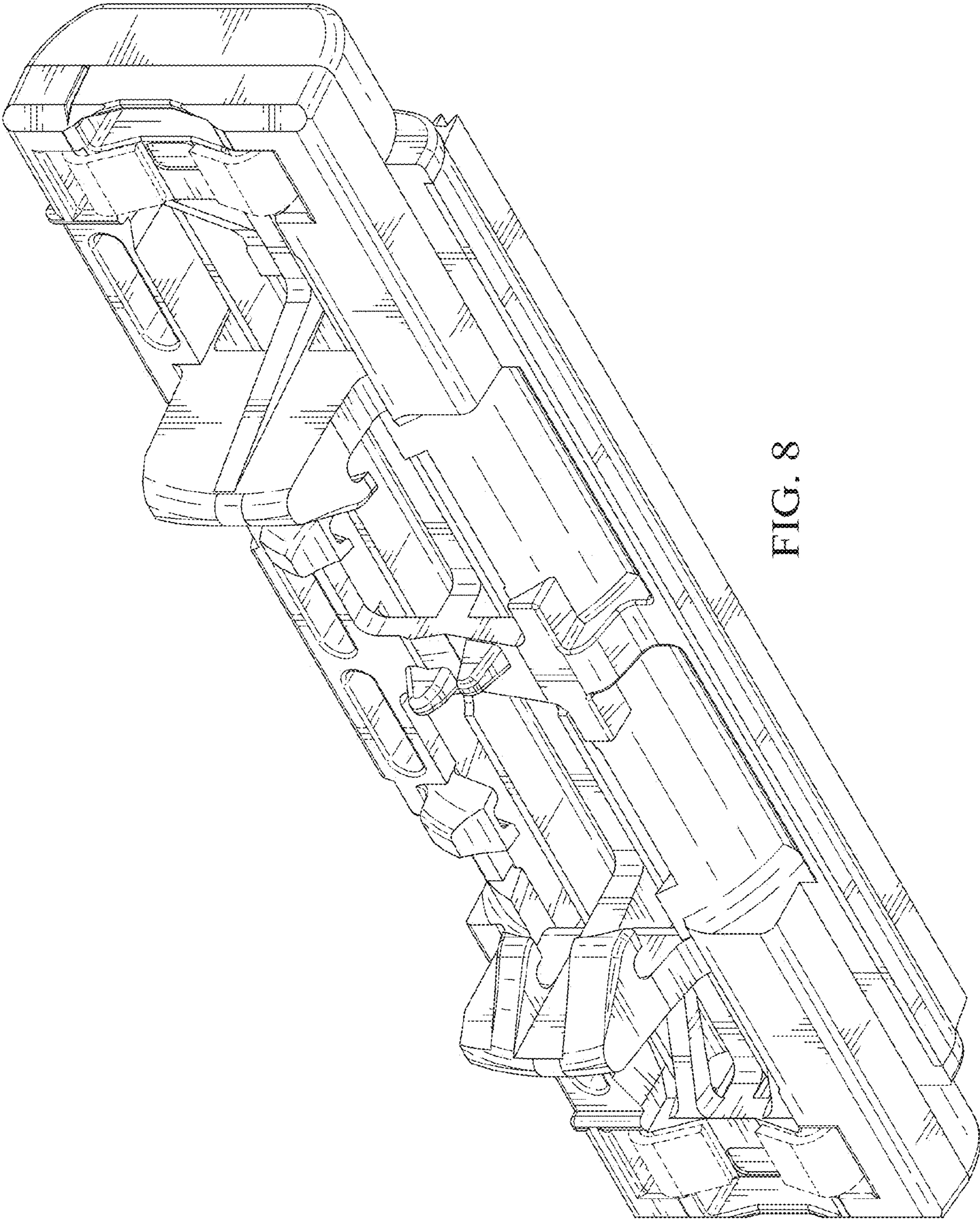


FIG. 8